



US00D722292S

(12) **United States Design Patent**  
**De Klein**

(10) **Patent No.:** **US D722,292 S**

(45) **Date of Patent:** **\*\* Feb. 10, 2015**

(54) **STAND FOR FACIAL CLEANING APPARATUS**

(56)

**References Cited**

(71) Applicant: **Koninklijke Philips N.V.**, Eindhoven  
(NL)

(72) Inventor: **Nicole Louisa De Klein**, Amsterdam  
(NL)

(73) Assignee: **Koninklijke Philips N.V.**, Eindhoven  
(NL)

(\*\*) Term: **14 Years**

(21) Appl. No.: **29/479,258**

(22) Filed: **Jan. 14, 2014**

(30) **Foreign Application Priority Data**

Jul. 15, 2013 (EM) ..... 002274449-0003

(51) **LOC (10) Cl.** ..... **13-02**

(52) **U.S. Cl.**  
USPC ..... **D13/108**

(58) **Field of Classification Search**  
USPC ..... D13/107-110, 118-119, 184, 199;  
D14/251, 253, 432, 434; 320/107-115,  
320/128, 137-140

See application file for complete search history.

U.S. PATENT DOCUMENTS

D489,322 S *	5/2004	Sawai et al. ....	D13/108
D508,019 S *	8/2005	Lamason et al. ....	D13/108
D510,905 S *	10/2005	Thirouin ....	D13/108
D511,492 S *	11/2005	Allende Fritsch ....	D13/108
D525,193 S *	7/2006	Vu ....	D13/108
D568,327 S *	5/2008	Fitch et al. ....	D14/453
D568,808 S *	5/2008	Hamasaki ....	D13/108
D572,188 S *	7/2008	Prat-Pfister ....	D13/108
D621,346 S *	8/2010	Navid ....	D13/108
D638,789 S *	5/2011	Markowitz ....	D13/108
D657,740 S *	4/2012	Prat-Pfister ....	D13/108
8,497,659 B2 *	7/2013	Navid ....	320/108
D692,376 S *	10/2013	Palmer et al. ....	D13/108

\* cited by examiner

*Primary Examiner* — Rosemary K Tarcza

(57)

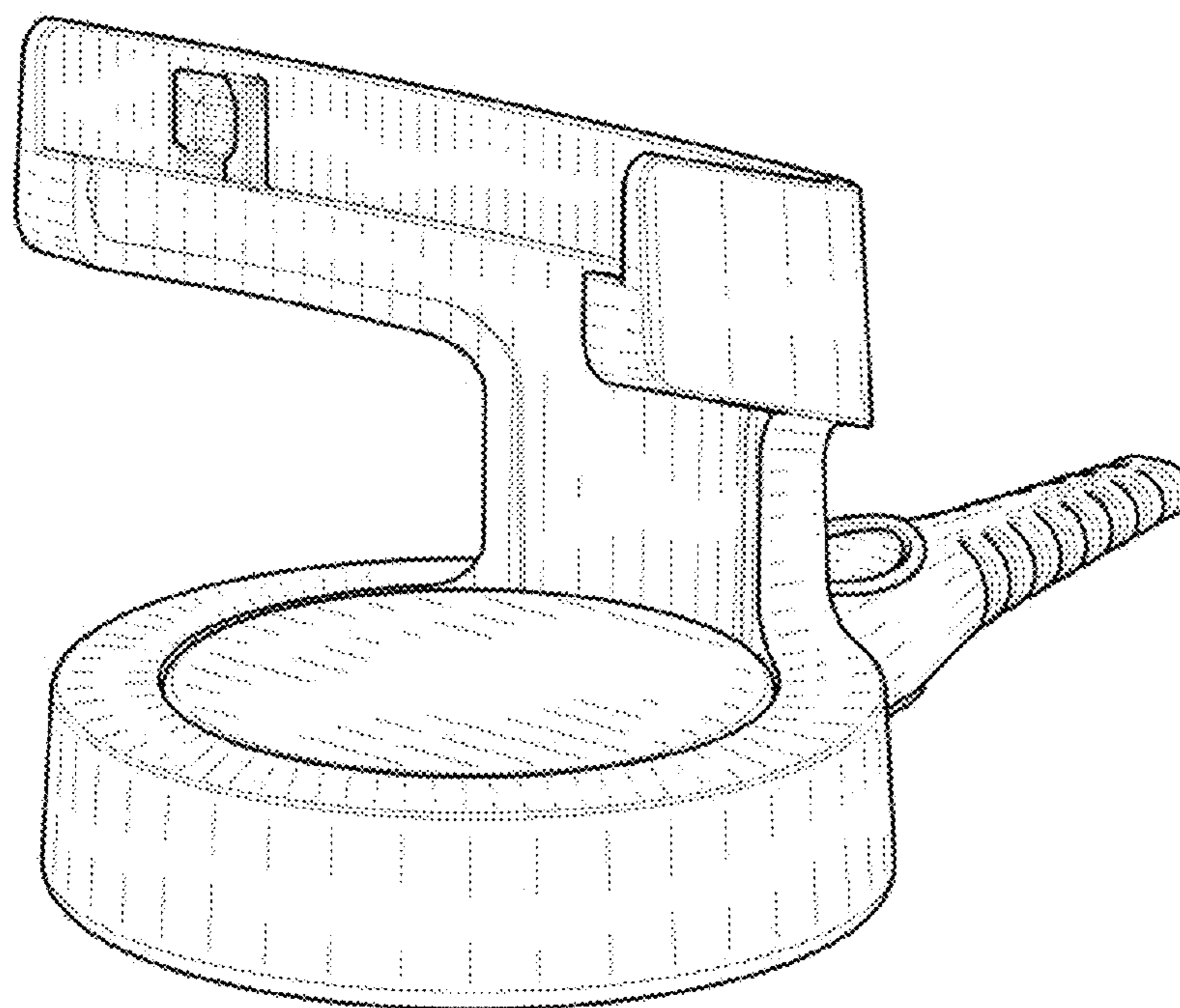
**CLAIM**

The ornamental design for a stand for facial cleaning apparatus, as shown and described.

**DESCRIPTION**

FIG. 1 is a perspective view showing my design;  
FIG. 2 is a front elevational view thereof;  
FIG. 3 is a rear elevational view thereof;  
FIG. 4 is a right side elevational view thereof;  
FIG. 5 is a left side elevational view thereof;  
FIG. 6 is a top plan view thereof; and,  
FIG. 7 is a bottom plan view thereof.  
The broken lines shown in the drawings are included for the purpose of illustrating environmental structure and form no part of the claimed design.

**1 Claim, 5 Drawing Sheets**



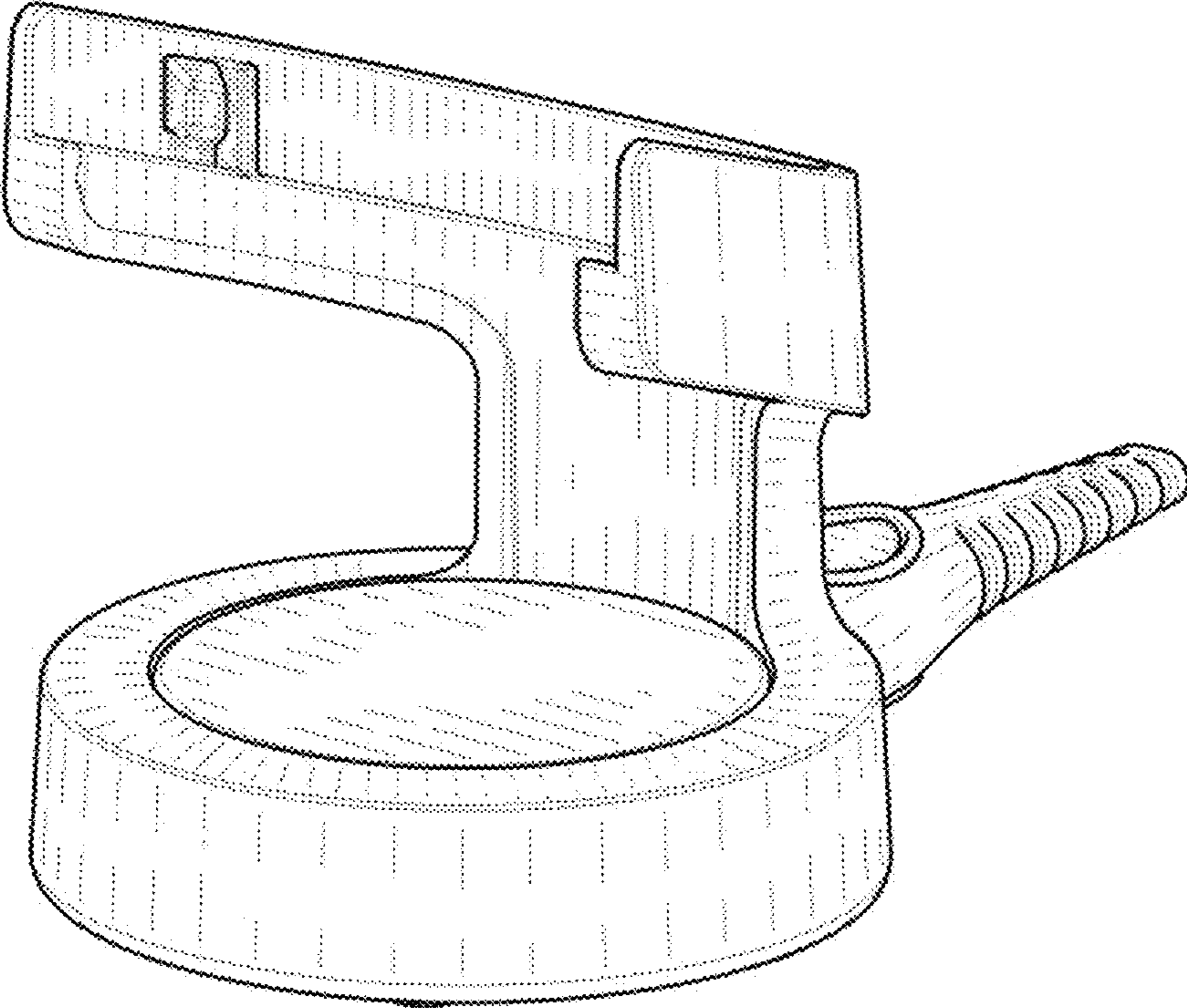


FIG. 1

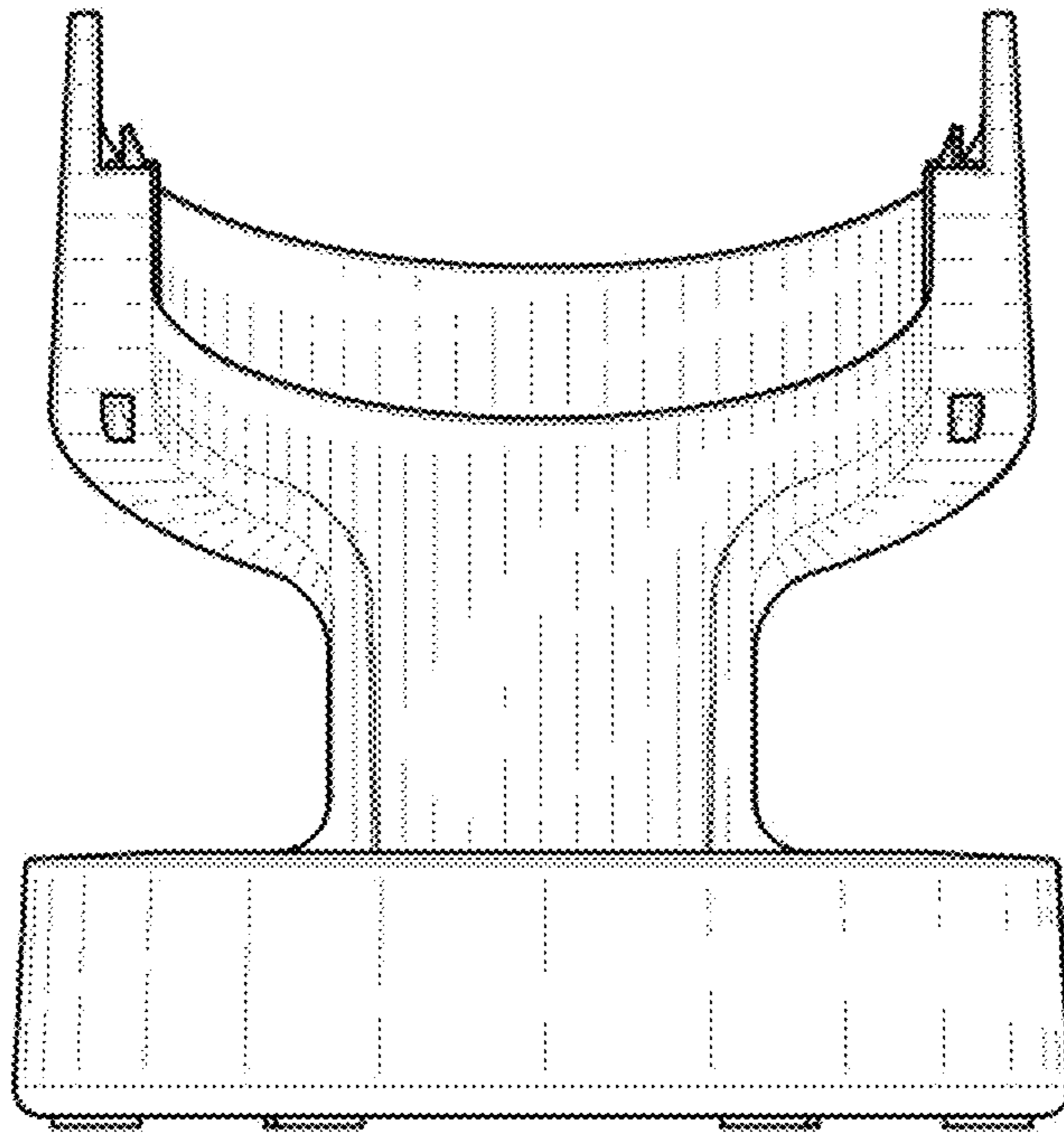


FIG. 2

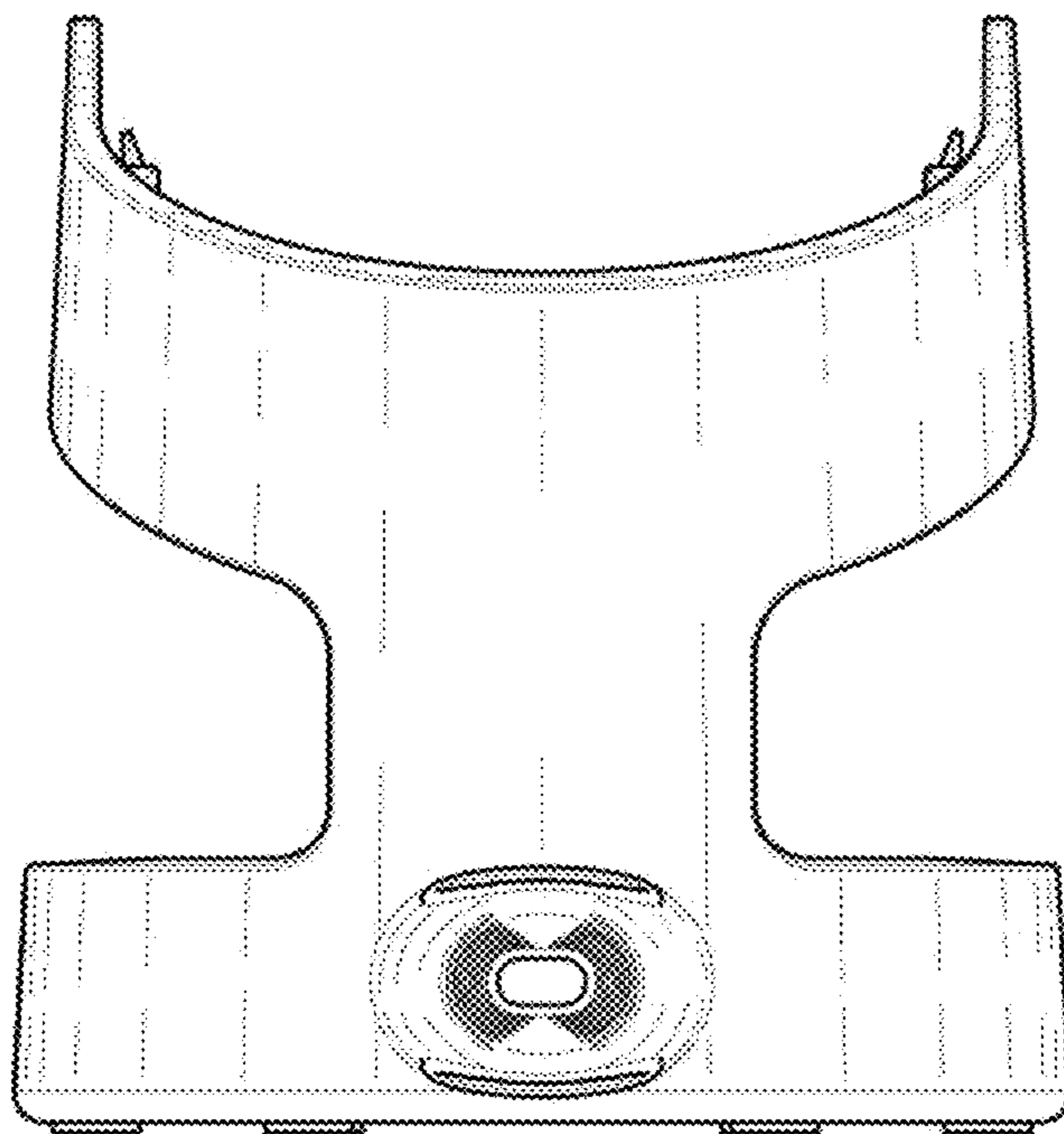


FIG. 3

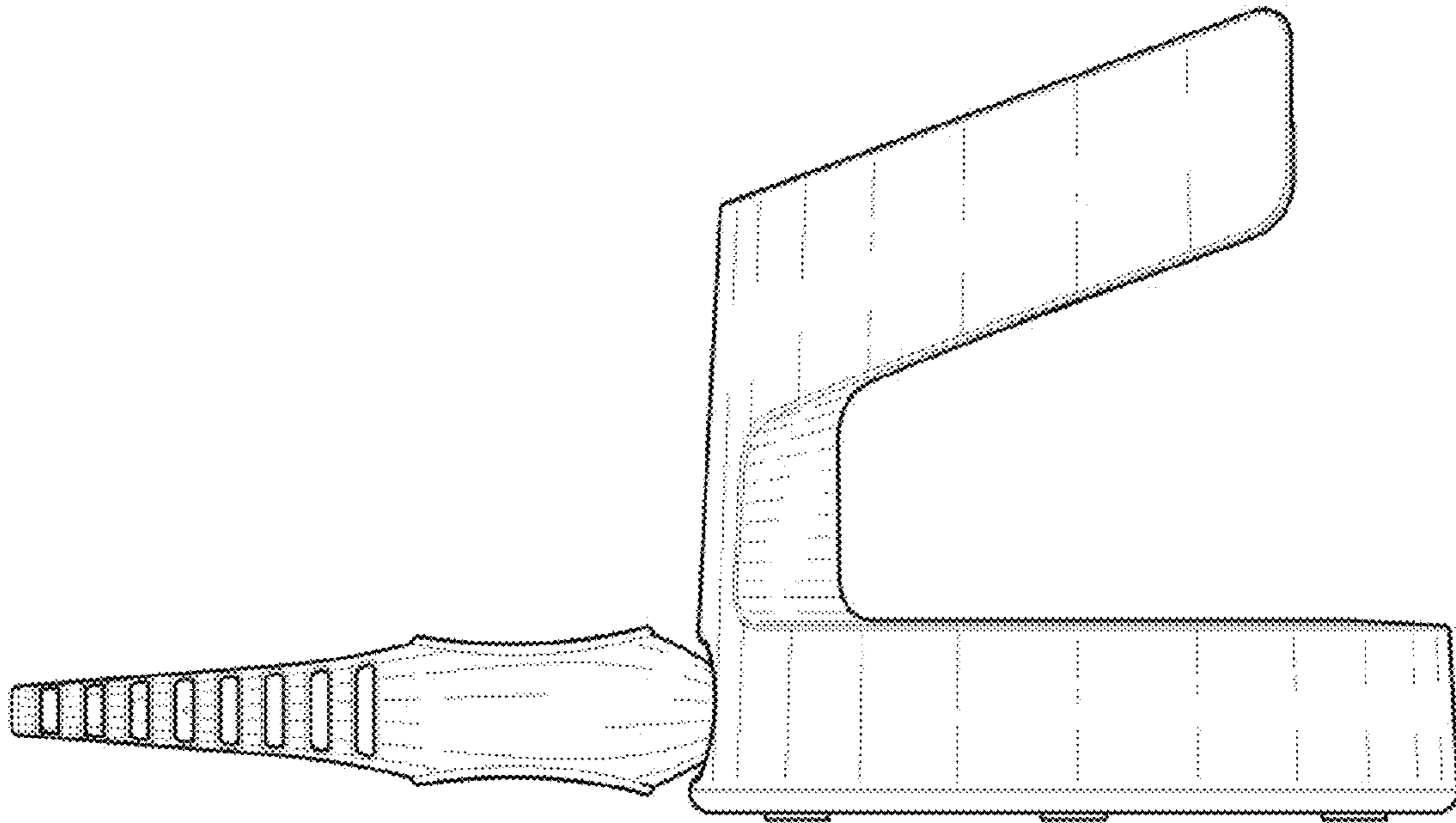


FIG. 4

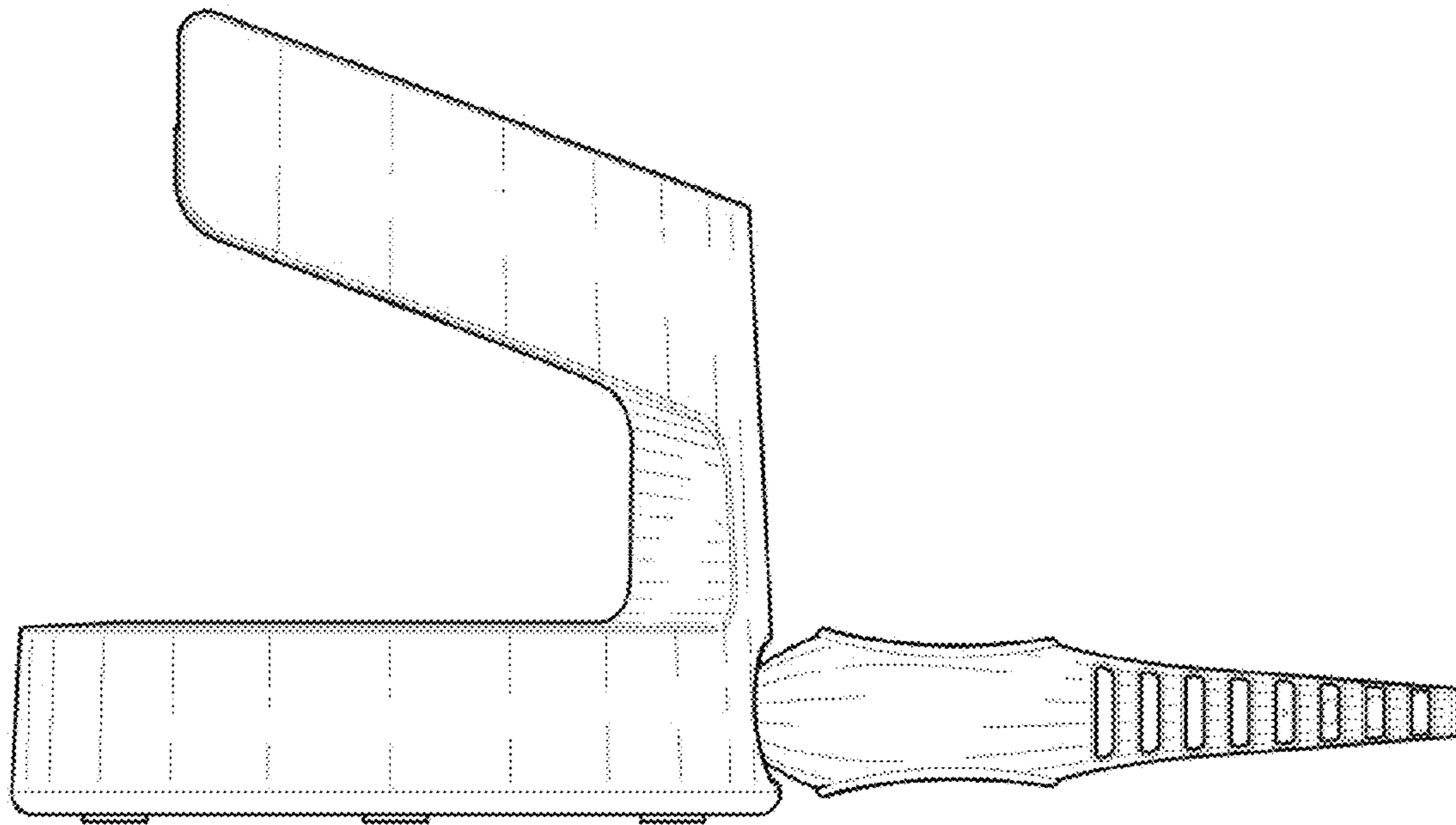


FIG. 5

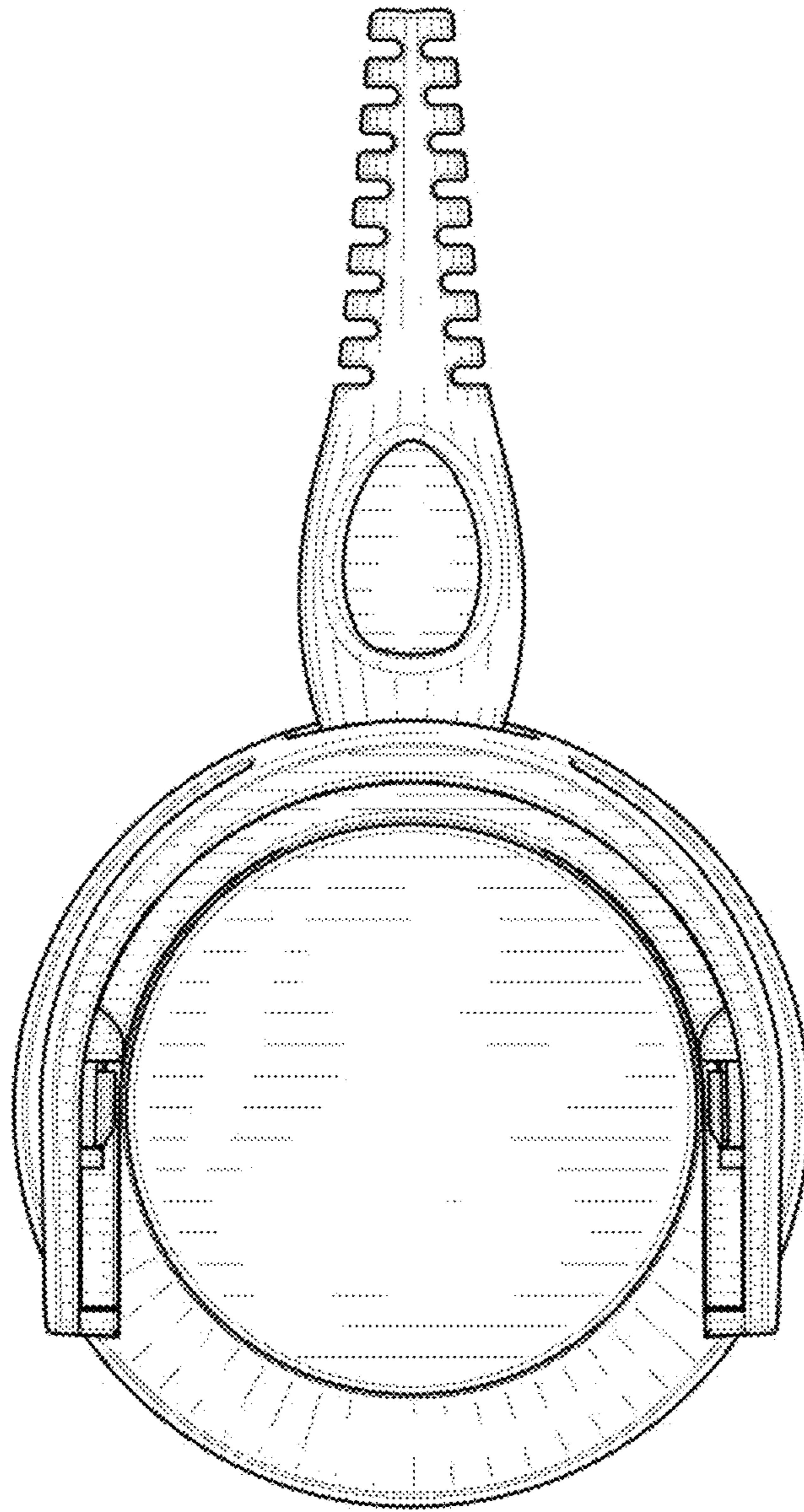


FIG. 6

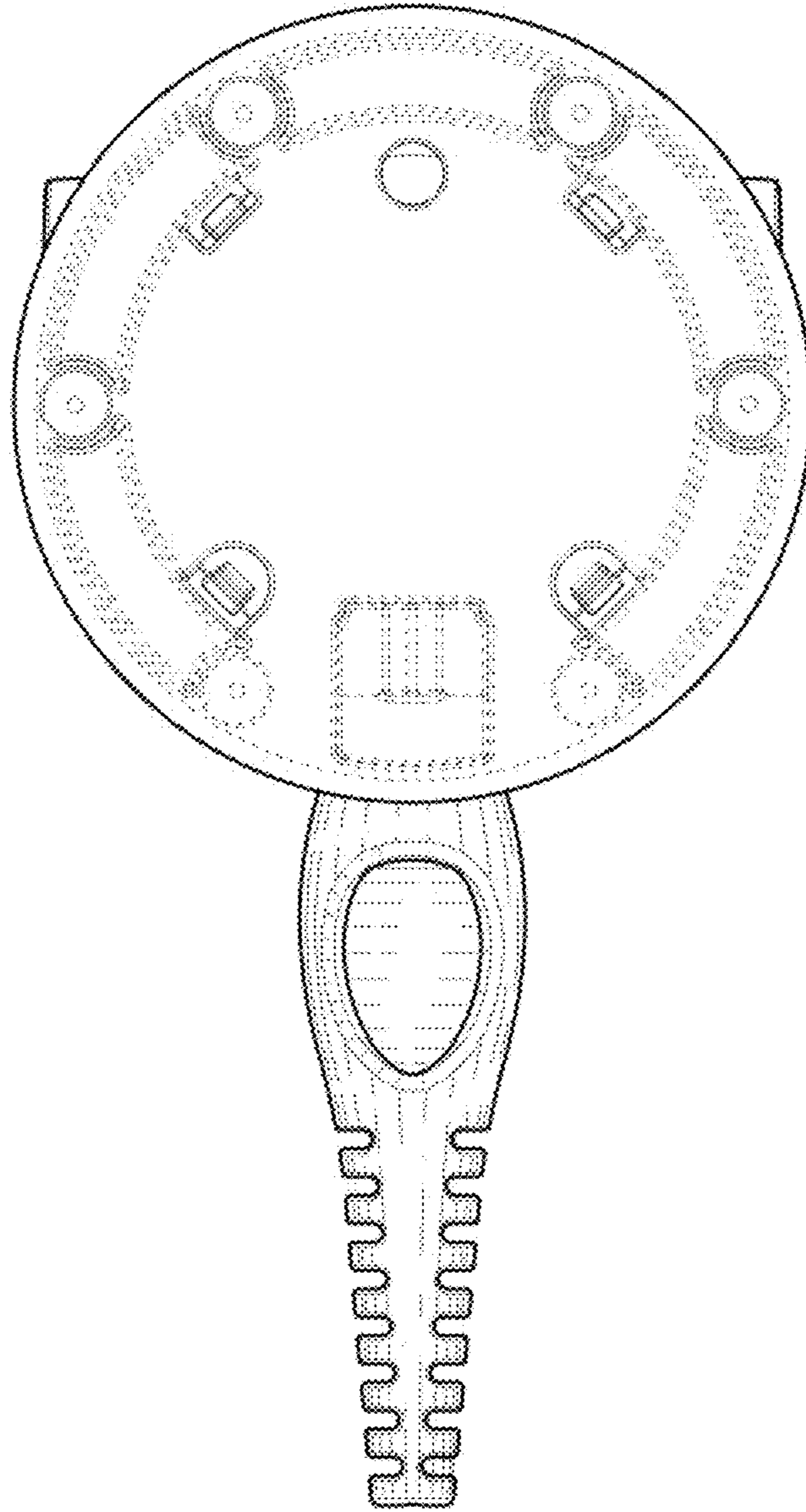


FIG. 7