



US00D722291S

(12) **United States Design Patent**
Moribe et al.

(10) **Patent No.:** **US D722,291 S**

(45) **Date of Patent:** **** *Feb. 10, 2015**

(54) **ELECTRIC VEHICLE CHARGER**

(71) Applicants: **Denso Wave Incorporated**, Aichi-pref. (JP); **DENSO CORPORATION**, Aichi-pref. (JP)

(72) Inventors: **Nobuo Moribe**, Obu (JP); **Yuji Tsuchiya**, Nagoya (JP); **Hironobu Ando**, Obu (JP)

(73) Assignees: **Denso Wave Incorporated**, Aichi-pref. (JP); **DENSO CORPORATION**, Kariya (JP)

(*) Notice: This patent is subject to a terminal disclaimer.

(**) Term: **14 Years**

(21) Appl. No.: **29/446,680**

(22) Filed: **Feb. 26, 2013**

(30) **Foreign Application Priority Data**

Aug. 27, 2012 (JP) 2012-020527

(51) **LOC (10) CL.** **13-02**

(52) **U.S. Cl.**
USPC **D13/107; D13/118**

(58) **Field of Classification Search**
USPC D13/106–110, 118–119, 155, 184, 199;
D15/9; 320/103–115; D8/349, 354,
D8/356, 380, 499
See application file for complete search history.

(56) **References Cited**

U.S. PATENT DOCUMENTS

D207,795 S * 5/1967 Rosati D8/356
D246,148 S * 10/1977 Kusek D6/301

D269,851 S * 7/1983 Kimura D8/356
D275,174 S * 8/1984 Rolli D8/356
D277,063 S * 1/1985 Hauser D6/303
D311,487 S * 10/1990 Platt D8/396
D356,024 S * 3/1995 Whitley et al. D8/356
D376,309 S * 12/1996 Takai D8/380
D377,142 S * 1/1997 Yang D8/356
D378,408 S * 3/1997 Pyeatt et al. D24/128

(Continued)

Primary Examiner — Rosemary K Tarcsa

(74) *Attorney, Agent, or Firm* — Posz Law Group, PLC

(57) **CLAIM**

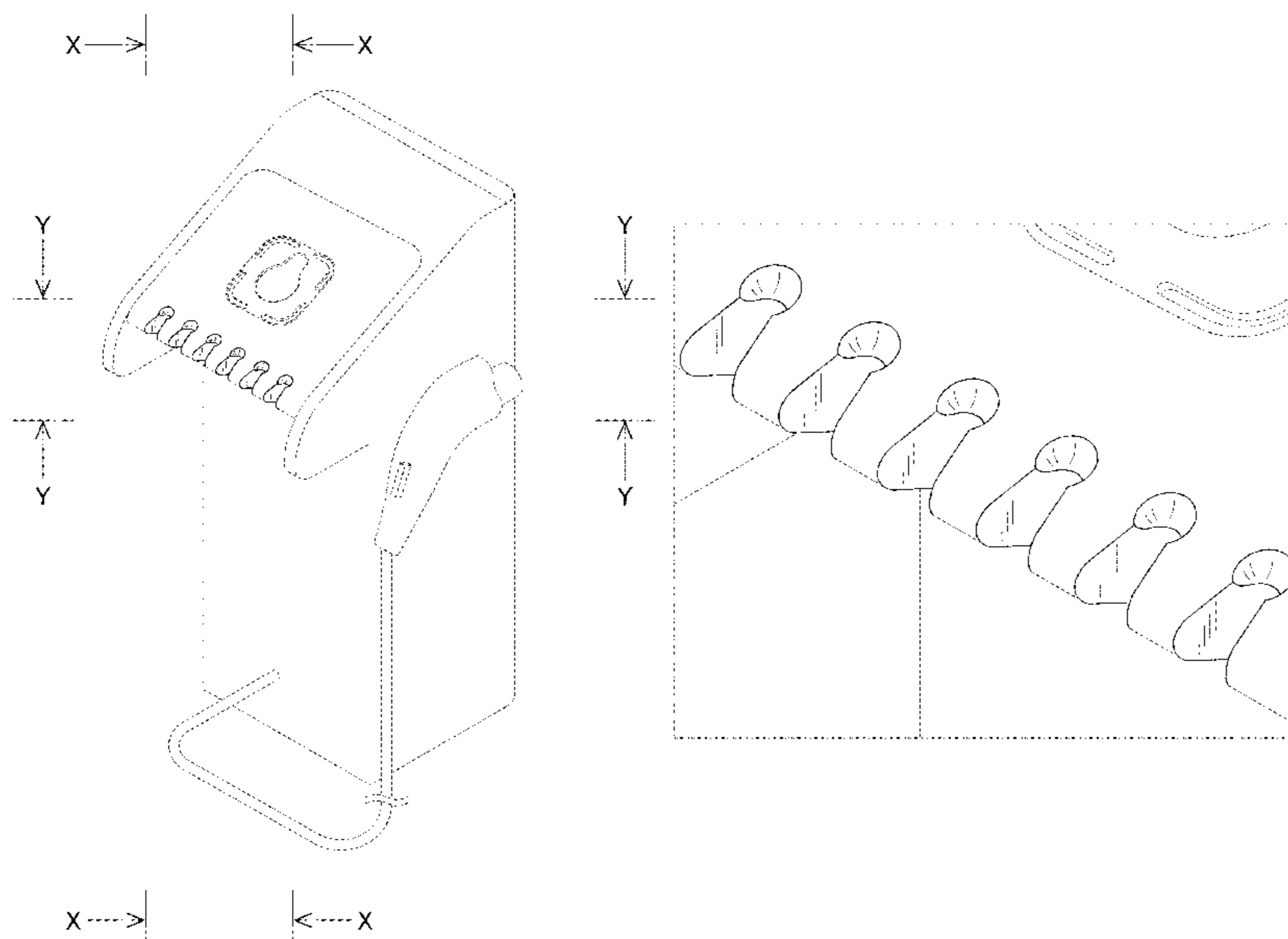
The ornamental design for an electric vehicle charger, as shown and described.

DESCRIPTION

FIG. 1 is a perspective view of an electric vehicle charger; FIG. 2 is a front view of the electric vehicle charger; FIG. 3 is a rear view of the electric vehicle charger; FIG. 4 is a right side view of the electric vehicle charger; FIG. 5 is a left side view of the electric vehicle charger; FIG. 6 is a top view of the electric vehicle charger; FIG. 7 is a bottom view of the electric vehicle charger; FIG. 8 is an enlarged front view defined by the ranges A-A and B-B of FIG. 2; FIG. 9 is an enlarged cross-sectional view defined by the ranges D-D and E-E of FIG. 6, and range M-M of FIG. 4, and taken along line C-C of FIG. 8; FIG. 10 is an enlarged top view defined by the ranges D-D and E-E of FIG. 6; and, FIG. 11 is an enlarged perspective view defined by the ranges X-X and Y-Y of FIG. 1.

The broken line showing of a body, a connector and an electric cable is for the purpose of illustrating unclaimed portions of the electric vehicle charger and forms no part of the claimed design.

1 Claim, 11 Drawing Sheets



(56)

References Cited

U.S. PATENT DOCUMENTS

D390,066 S *	2/1998	Watkins et al.	D7/633	D597,403 S *	8/2009	Ho et al.	D8/396
D395,815 S *	7/1998	Walters et al.	D8/354	D598,275 S *	8/2009	Rowell et al.	D8/356
D398,313 S *	9/1998	Allen	D15/143	D601,879 S *	10/2009	Kim et al.	D8/356
D406,749 S *	3/1999	Selk	D8/356	D608,621 S *	1/2010	Yu Chen	D8/356
D427,048 S *	6/2000	Potter et al.	D8/356	D635,447 S *	4/2011	Henry	D8/356
D453,103 S *	1/2002	Tell	D8/356	D638,690 S *	5/2011	Hoek	D8/356
D468,996 S *	1/2003	Sarkinen et al.	D8/356	D638,691 S *	5/2011	Hoek	D8/356
D488,054 S *	4/2004	Myers	D8/356	D639,145 S *	6/2011	Hoek	D8/356
D490,057 S *	5/2004	Takehima et al.	D13/119	D639,146 S *	6/2011	Hoek	D8/356
D523,810 S *	6/2006	Doong	D13/108	D640,527 S *	6/2011	Hoek	D8/356
D552,543 S *	10/2007	Su	D13/122	D644,501 S *	9/2011	Chen	D8/356
D568,723 S *	5/2008	Morgan	D8/356	D653,100 S *	1/2012	Chen	D8/356
D571,191 S *	6/2008	Ruggiero	D8/356	D663,274 S *	7/2012	Gretz	D13/155
D576,867 S *	9/2008	Kretz	D8/356	D674,271 S *	1/2013	Rodwin	D8/356
D587,101 S *	2/2009	Morgan	D8/356	D691,873 S *	10/2013	Ganski	D8/356
D587,102 S *	2/2009	Morgan	D8/356	D691,874 S *	10/2013	Ganski	D8/356
D589,782 S *	4/2009	Rowell et al.	D8/356	D691,875 S *	10/2013	Ganski	D8/356
				D691,876 S *	10/2013	Ganski	D8/356
				D691,878 S *	10/2013	Ganski	D8/356
				D698,309 S *	1/2014	Moribe et al.	D13/107

* cited by examiner

FIG. 1

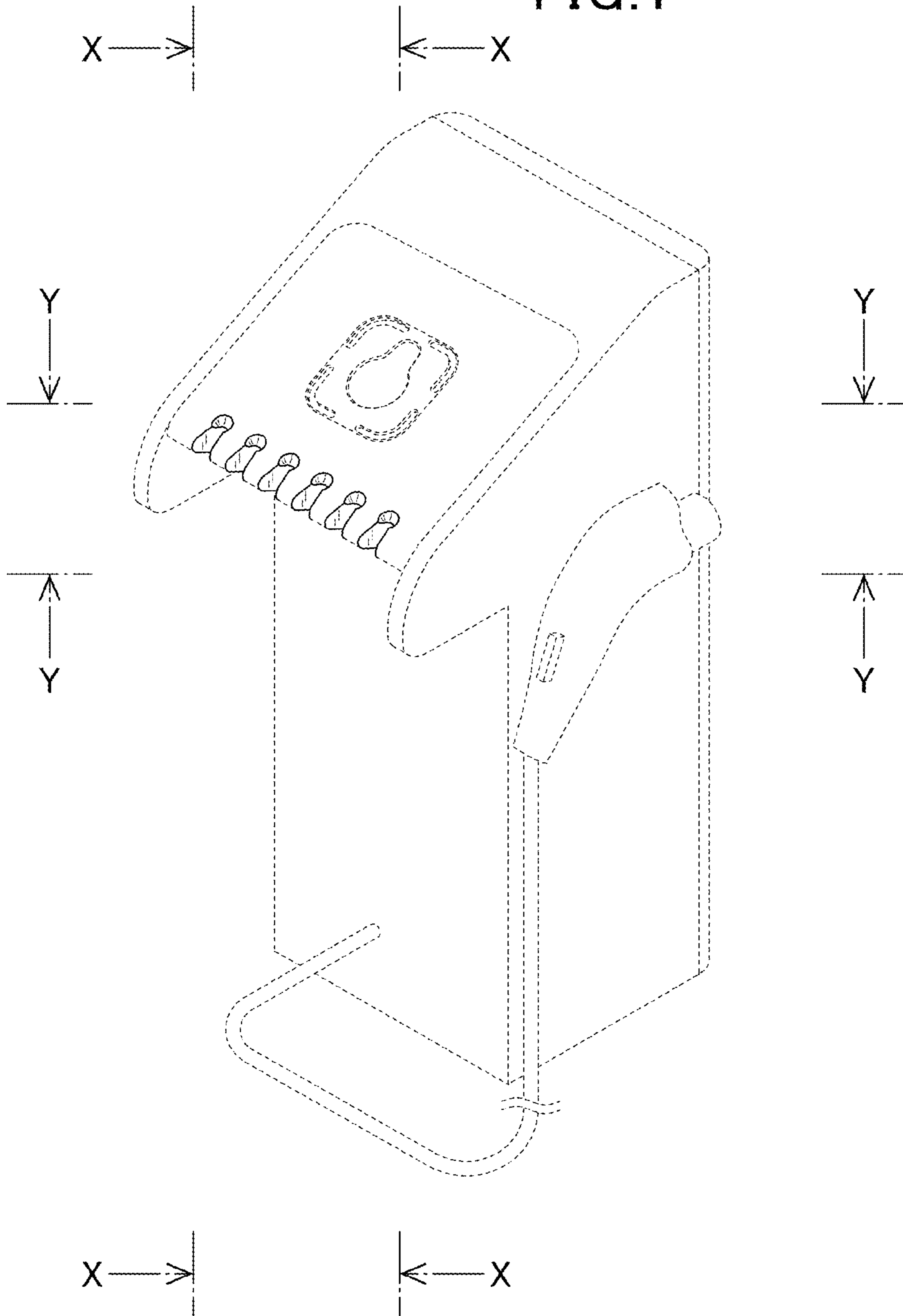


FIG.2

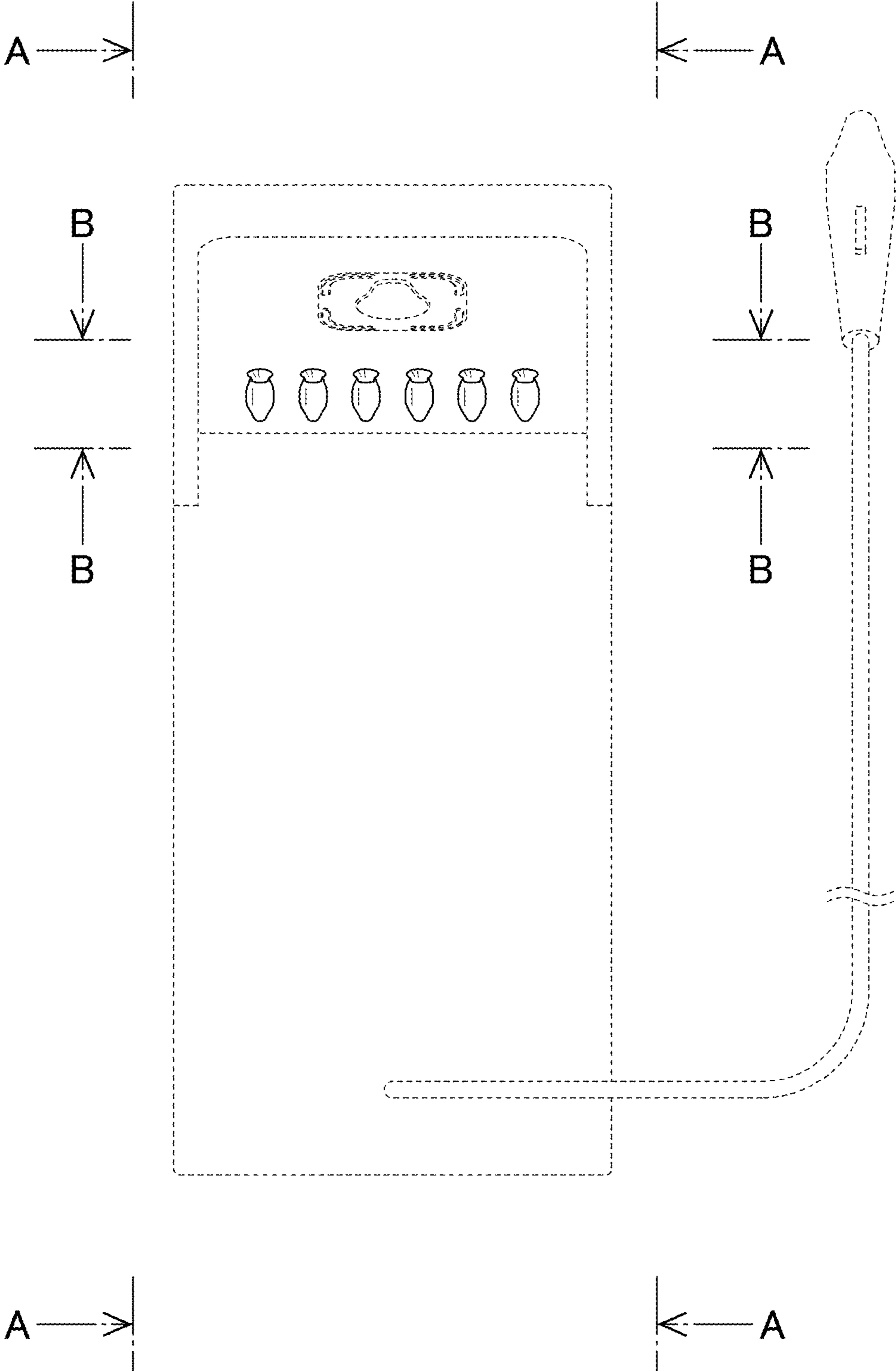


FIG. 3

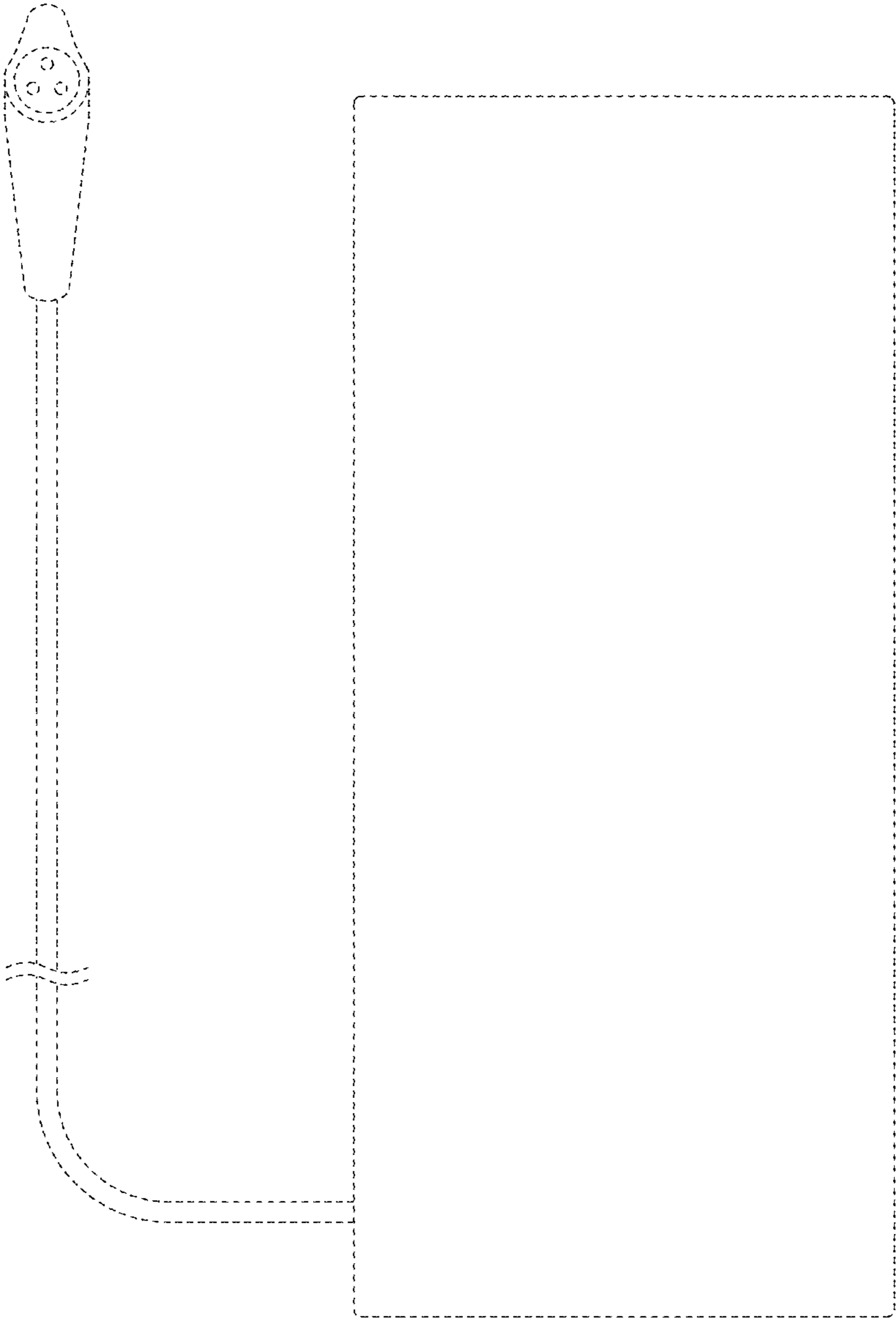


FIG. 4

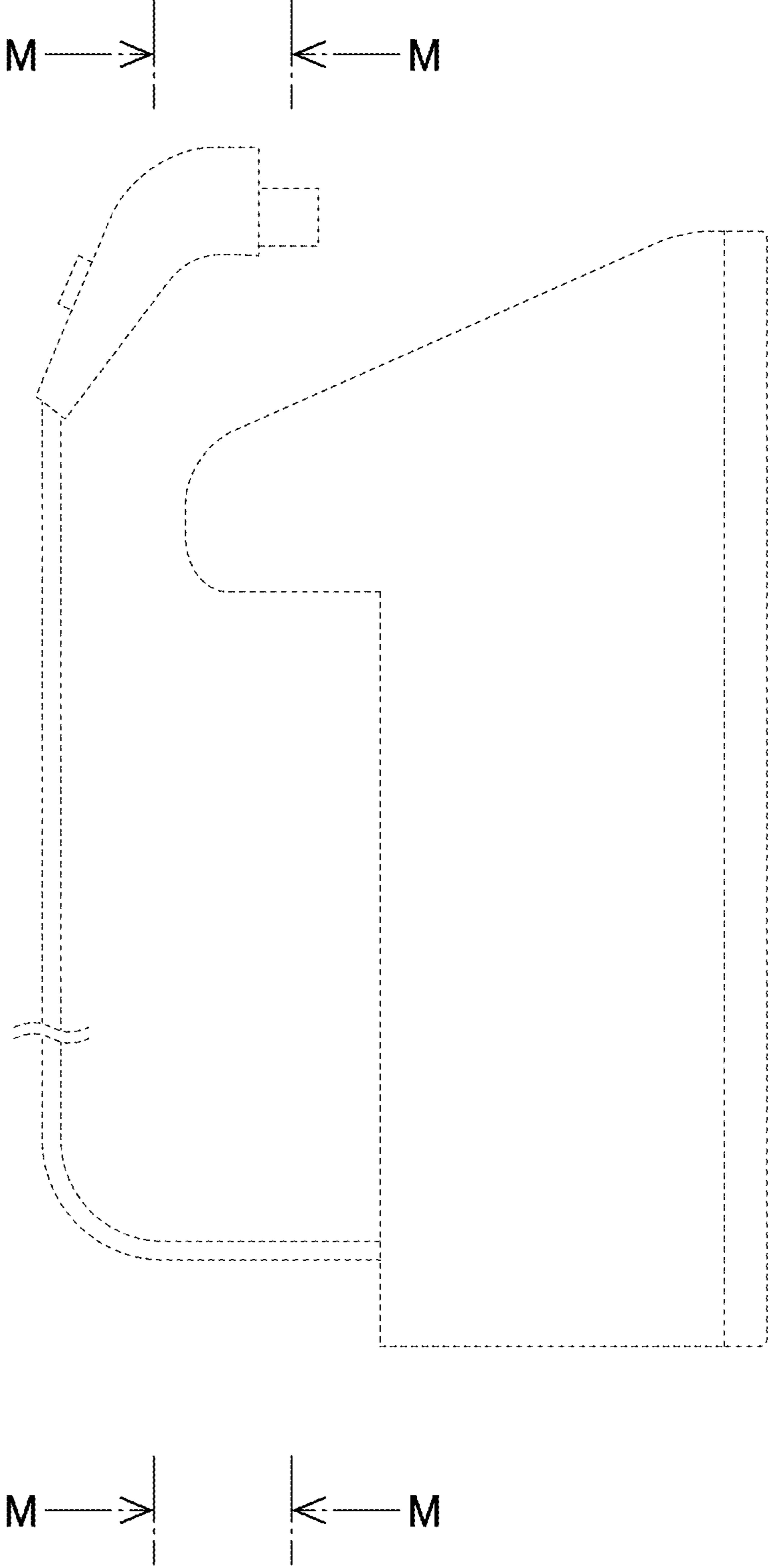


FIG.5

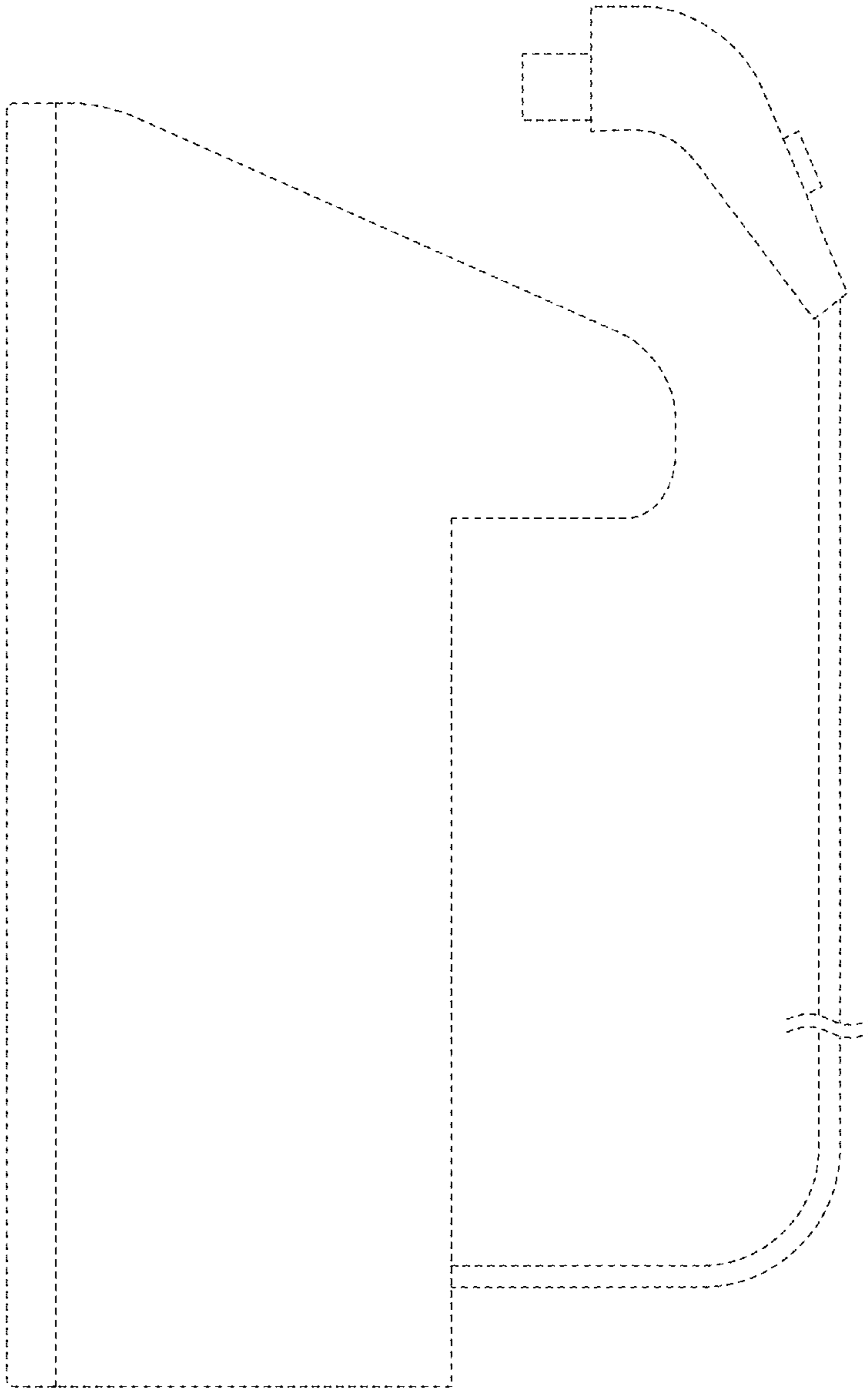


FIG. 6

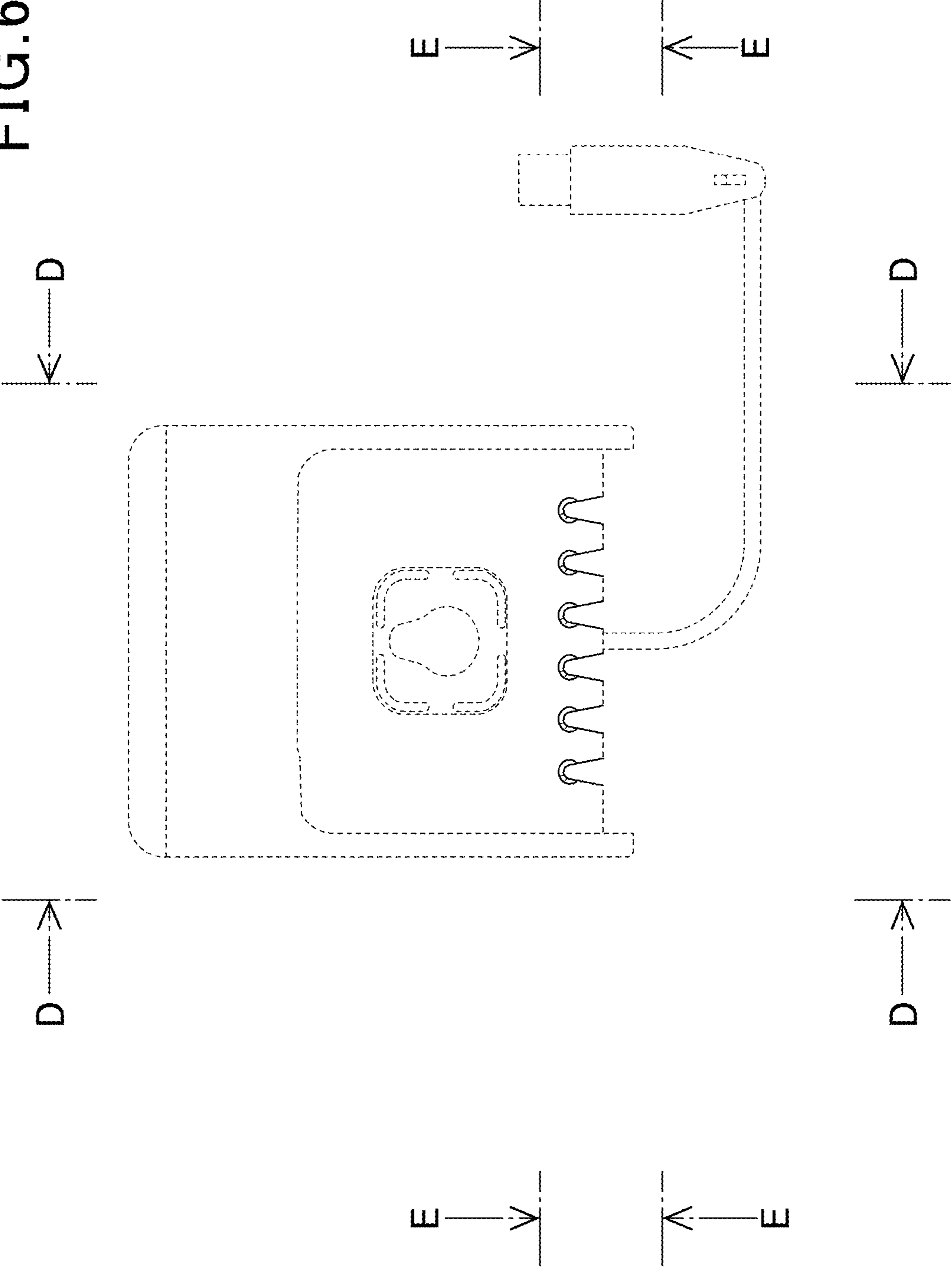


FIG. 7

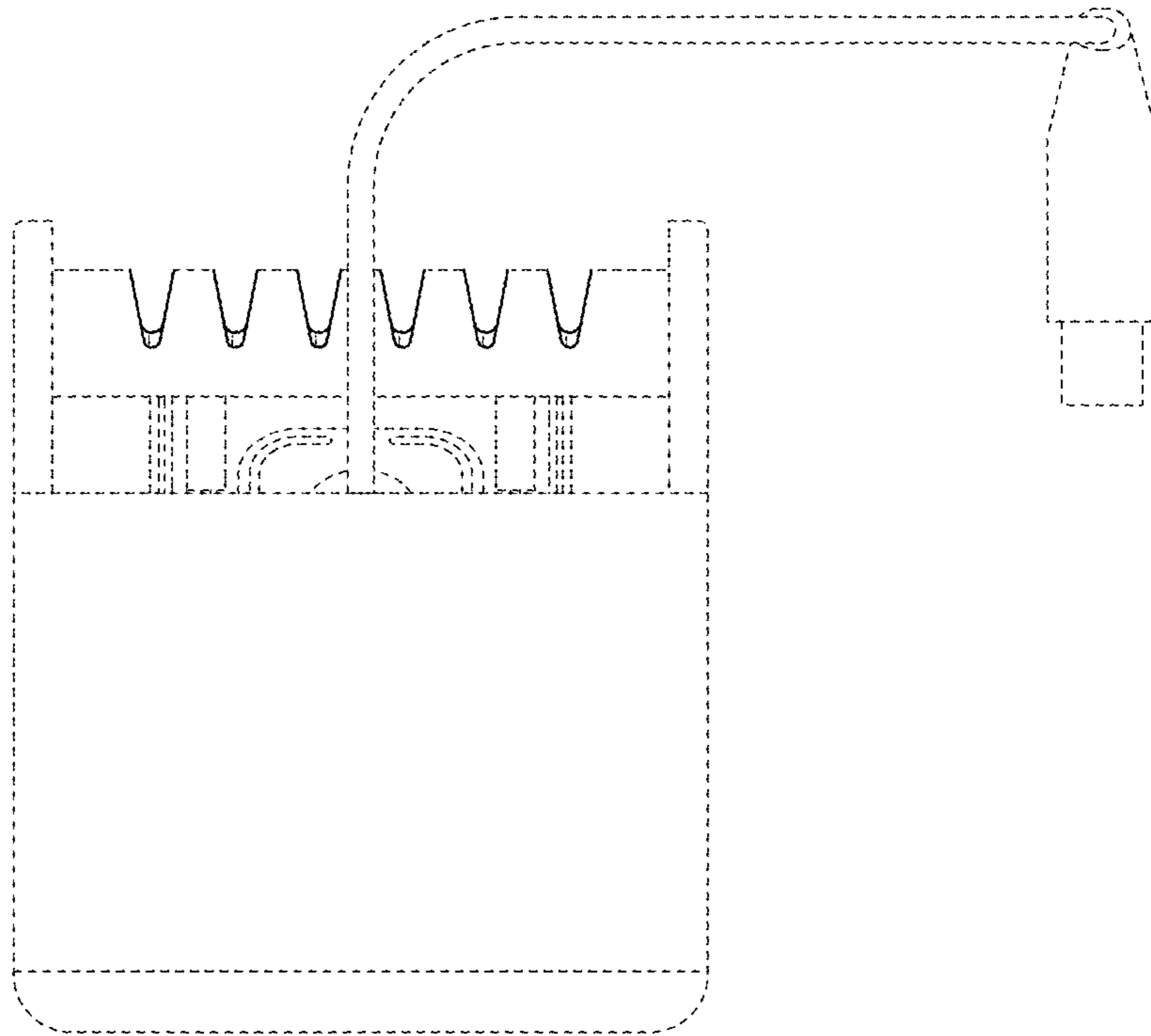


FIG. 8

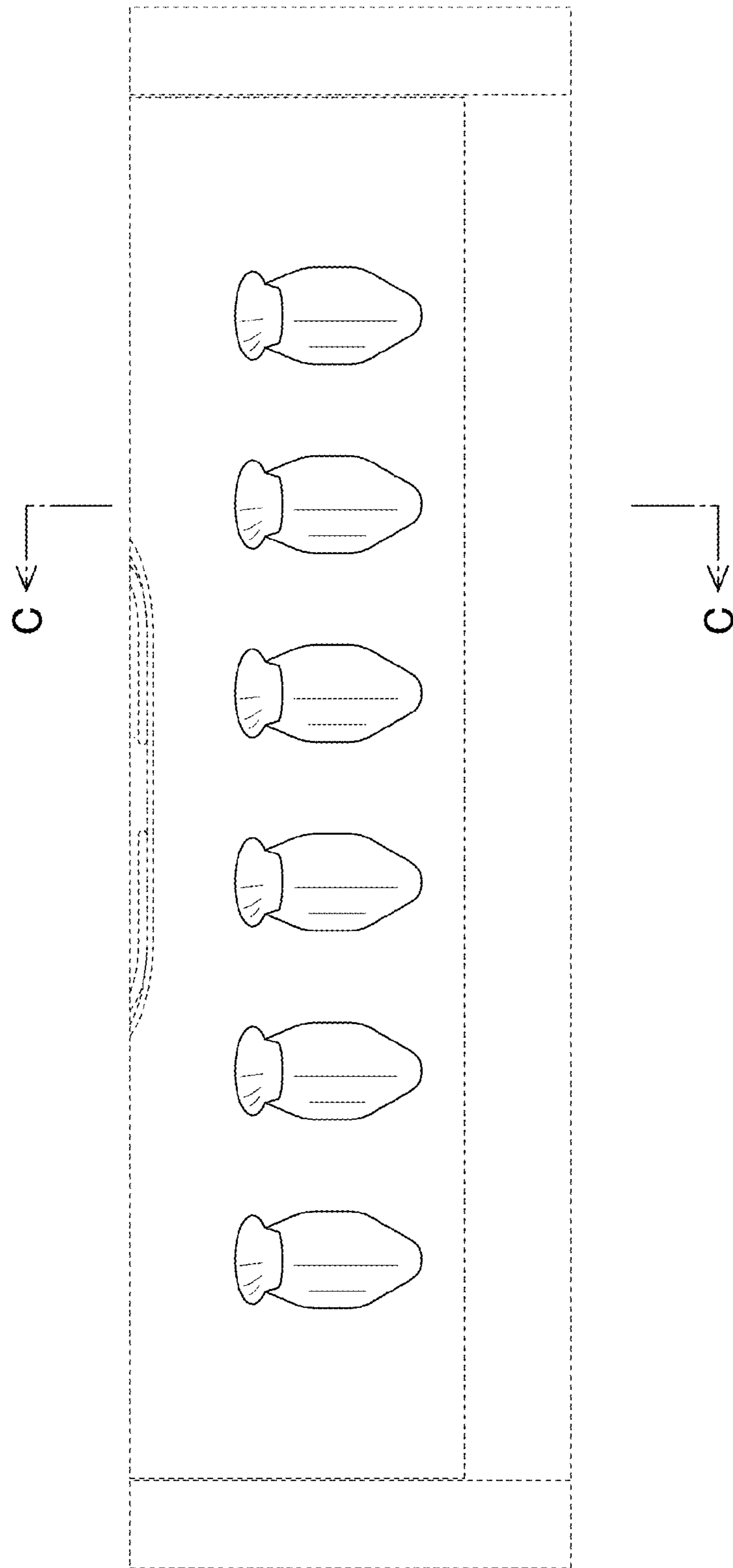


FIG. 9

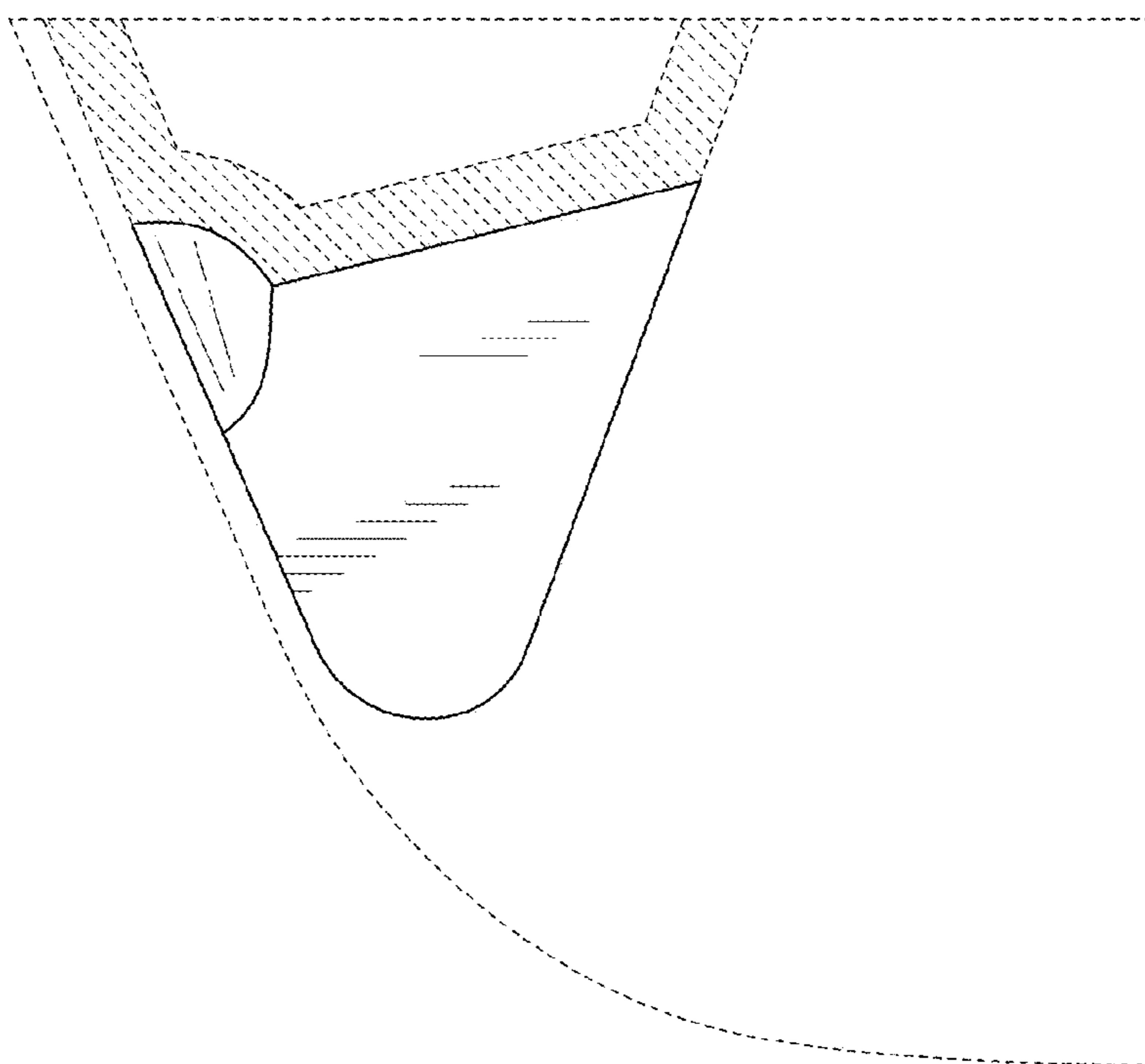


FIG. 10

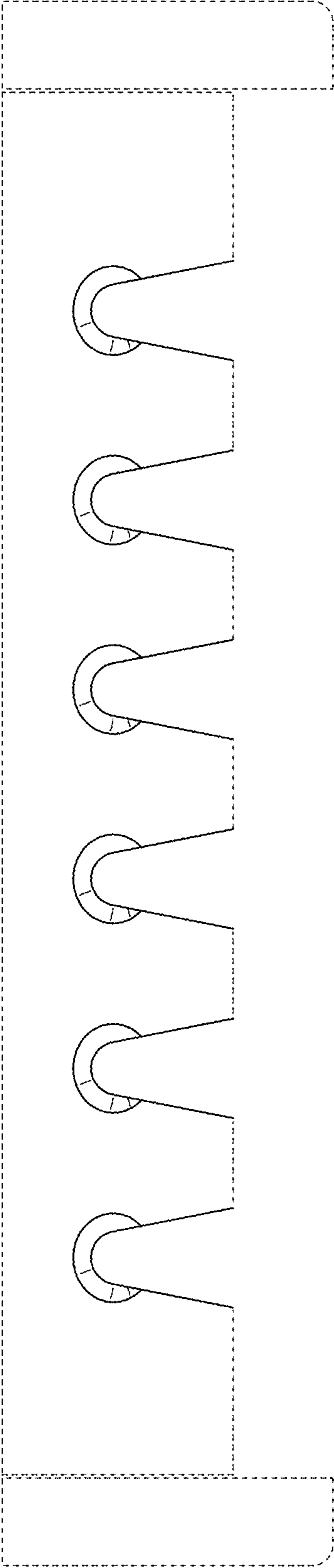


FIG.11

