



US00D722289S

(12) **United States Design Patent**
Williams

(10) **Patent No.:** **US D722,289 S**
(45) **Date of Patent:** **** Feb. 10, 2015**

(54) **V-SHAPED FOUR BICYCLE CARRIER**
(71) Applicant: **Marty Williams**, Colorado Springs, CO
(US)
(72) Inventor: **Marty Williams**, Colorado Springs, CO
(US)

(**) Term: **14 Years**

(21) Appl. No.: **29/454,713**

(22) Filed: **May 13, 2013**

(51) **LOC (10) Cl.** **12-16**

(52) **U.S. Cl.**
USPC **D12/408**

(58) **Field of Classification Search**
USPC D12/408, 407, 406, 414.1, 420, 115;
224/403, 520, 532, 324, 501, 518, 533,
224/492, 493, 495, 500, 924, 497, 502, 510,
224/321, 329, 503, 523, 537, 513, 519, 314,
224/318, 325, 326, 509, 315, 319, 309, 514,
224/499, 516, 571, 572, 504, 323, 322;
24/68 CD, 301; 211/20, 17, 4, 22, 5, 21,
211/198, 200; 248/164; 362/549; D8/356;
D6/716.3; 16/324, 329; 340/432, 5.9,
340/543, 568.1; 194/205, 247, 902;
235/381, 382; 70/233, 57, 235
See application file for complete search history.

(56) **References Cited**

U.S. PATENT DOCUMENTS

1,440,471	A *	1/1923	Kohler	248/434
5,320,227	A *	6/1994	Minoura	211/22
5,375,497	A *	12/1994	Pirchio et al.	84/327
5,388,736	A *	2/1995	Schmidt	224/520
5,588,574	A *	12/1996	Schmidt	224/520
5,950,892	A *	9/1999	Tsai	224/520
D434,362	S *	11/2000	McCoy et al.	D12/406
D436,074	S *	1/2001	McCoy et al.	D12/407

8,367,919	B2 *	2/2013	Belitz et al.	84/453
D684,917	S *	6/2013	Williams	D12/408
2004/0256430	A1 *	12/2004	Wang	224/520
2005/0205629	A1 *	9/2005	Wang	224/519
2007/0012634	A1 *	1/2007	Huang	211/17
2008/0073395	A1 *	3/2008	Reeves et al.	224/324
2008/0135697	A1 *	6/2008	Workman et al.	248/177.1
2011/0049208	A1 *	3/2011	Wang	224/520
2011/0240700	A1 *	10/2011	Williams	224/518
2012/0000952	A1 *	1/2012	Dreger et al.	224/533
2014/0151421	A1 *	6/2014	Loken	224/519

* cited by examiner

Primary Examiner — Eric Goodman

Assistant Examiner — Ryan Harvey

(74) *Attorney, Agent, or Firm* — Tracy M. Heims; Apex
Juris, pllc

(57) **CLAIM**

The ornamental design for a V-shaped four bicycle carrier, as shown and described.

DESCRIPTION

FIG. 1 is an elevated angled view of the V-shaped four bicycle carrier.

FIG. 2 is an exploded view of the V-shaped four bicycle carrier components.

FIG. 3 is a front view of the V-shaped four bicycle carrier with a bicycle attached thereto.

FIG. 4 is a back side view of the V-shaped four bicycle carrier.

FIG. 5 is a front side view of the V-shaped four bicycle carrier.

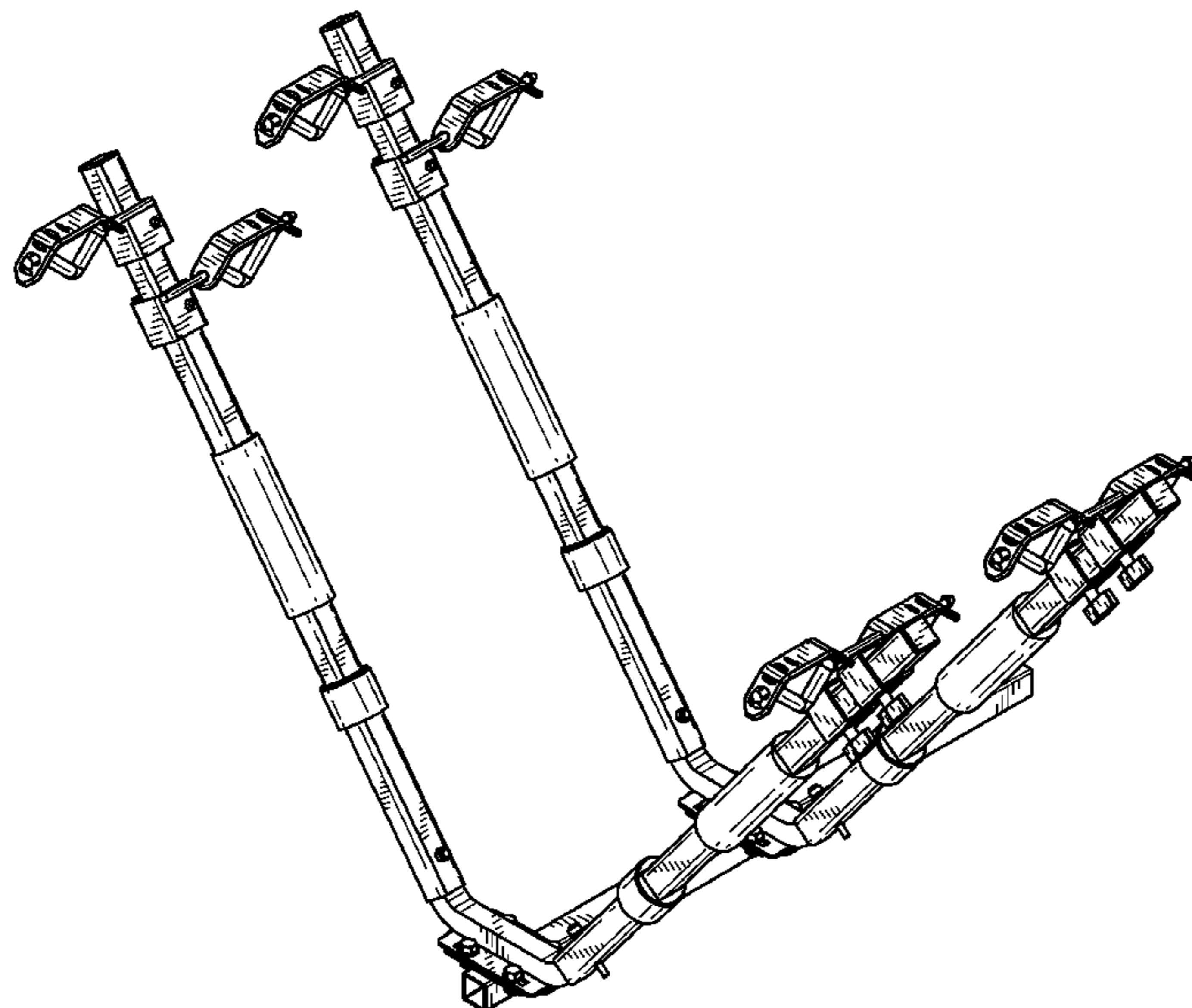
FIG. 6 is a side view of the V-shaped four bicycle carrier.

FIG. 7 is a top view of the V-shaped four bicycle carrier; and,

FIG. 8 is a bottom side view of the V-shaped four bicycle carrier.

The broken lines illustrate unclaimed environmental structure.

1 Claim, 8 Drawing Sheets



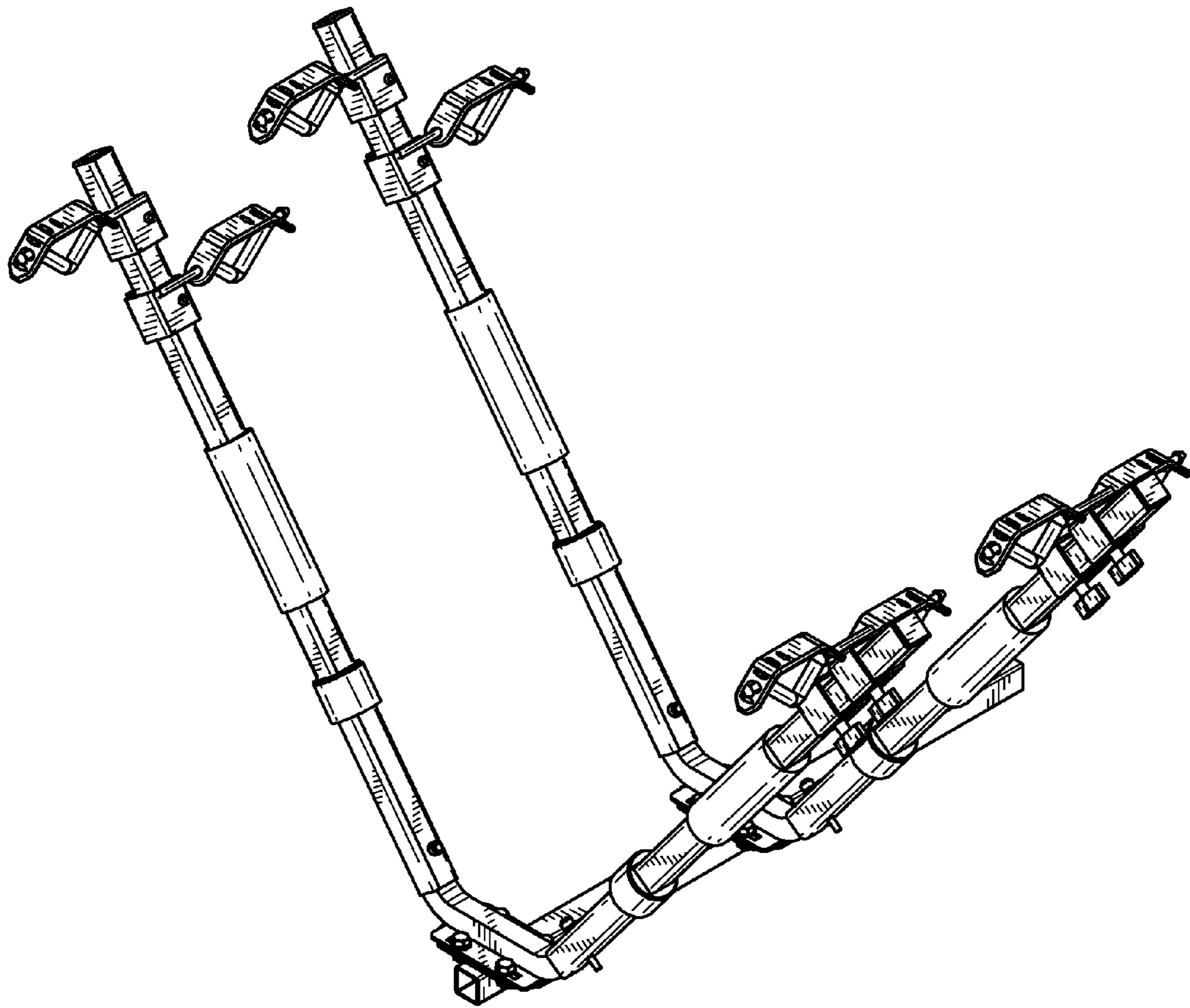


FIG. 1

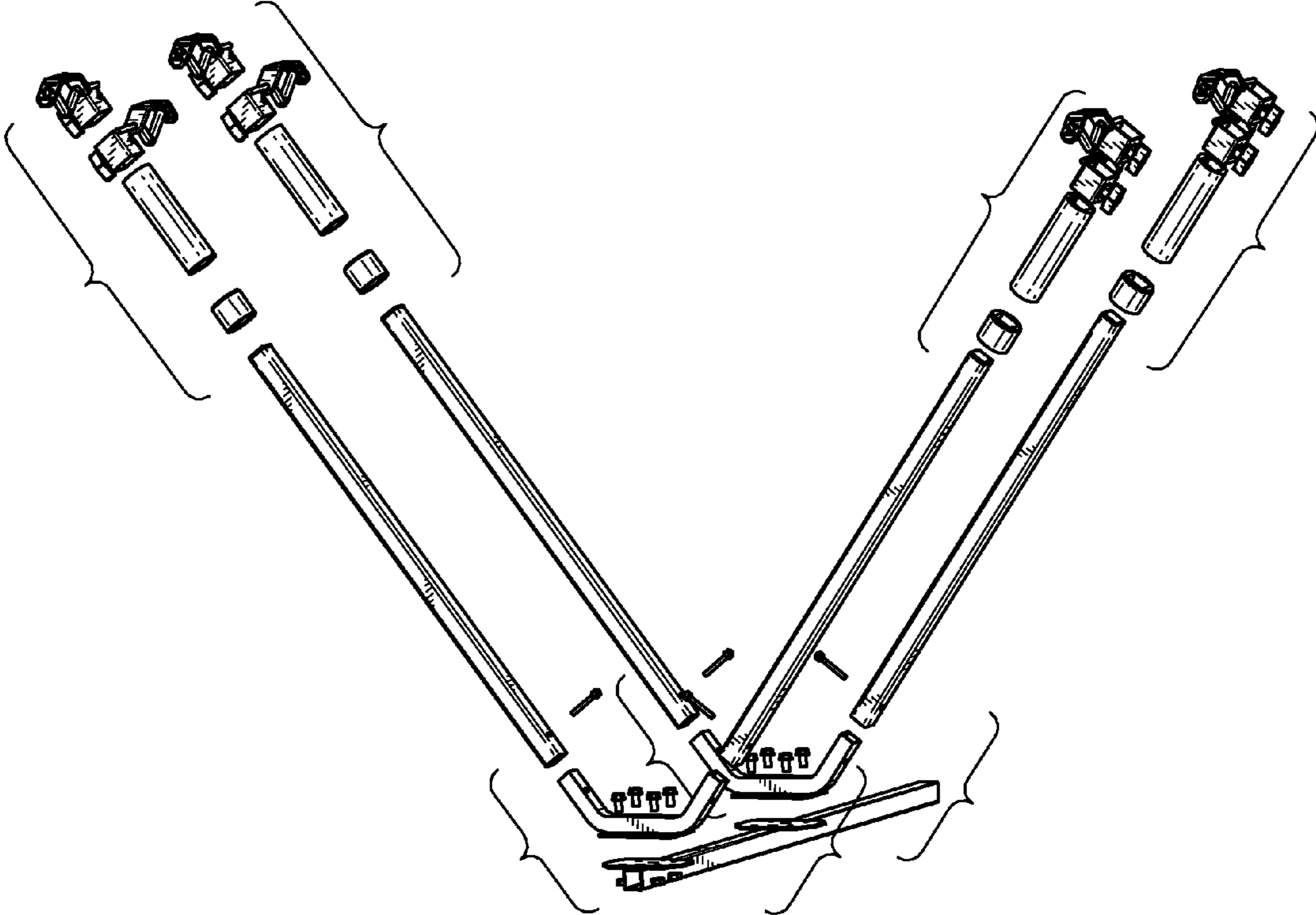


FIG. 2

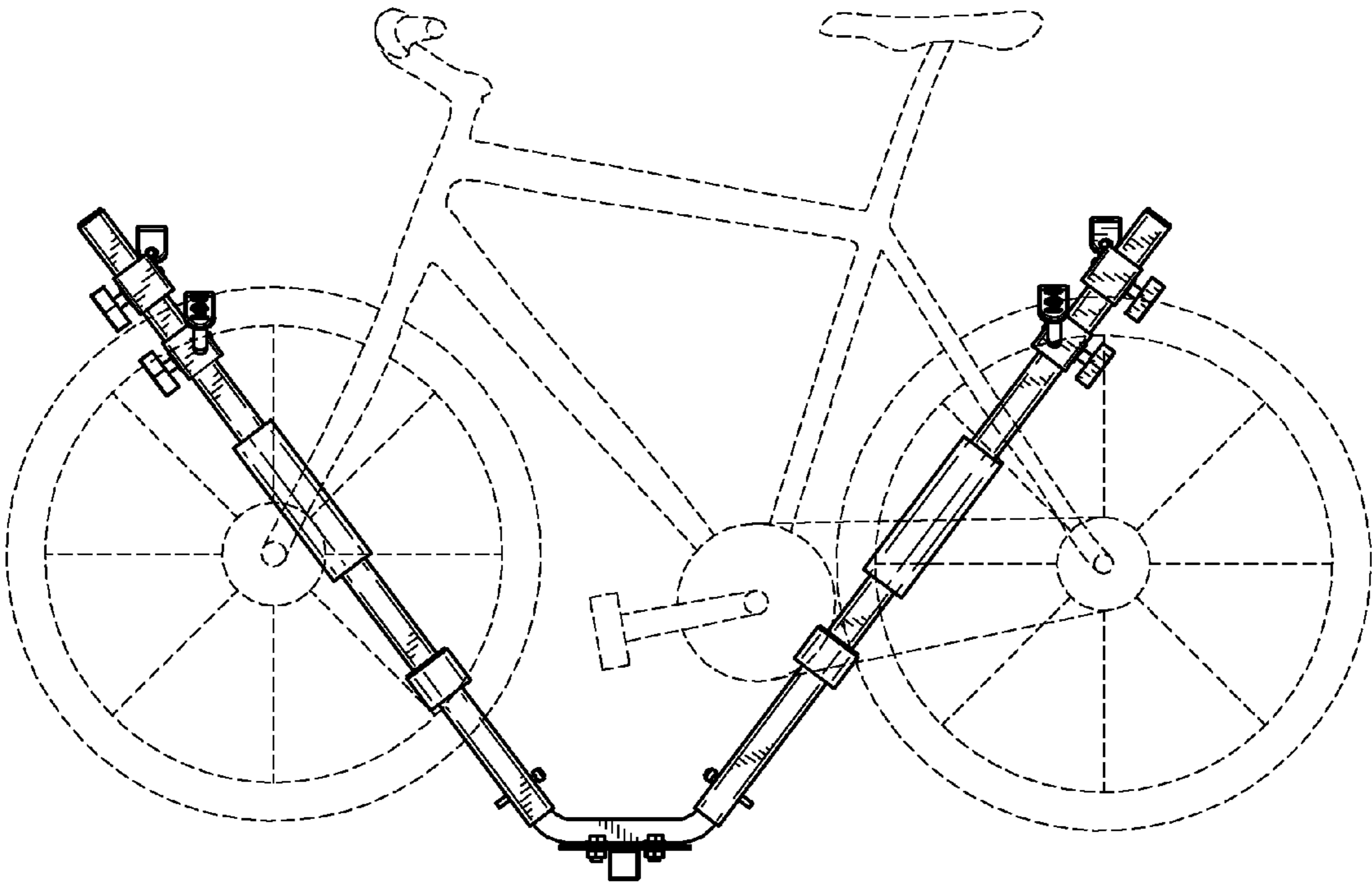


FIG. 3

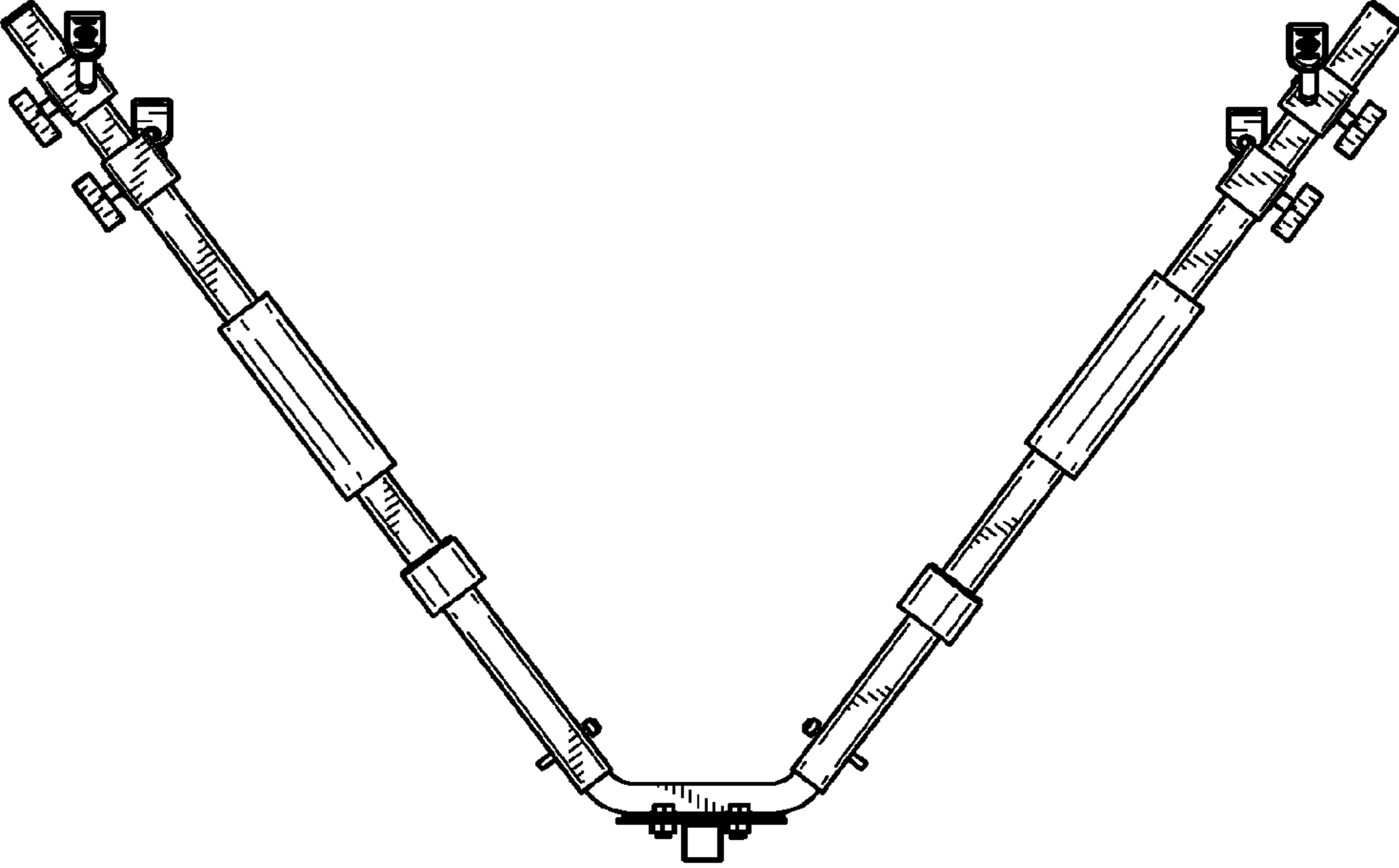


FIG. 4

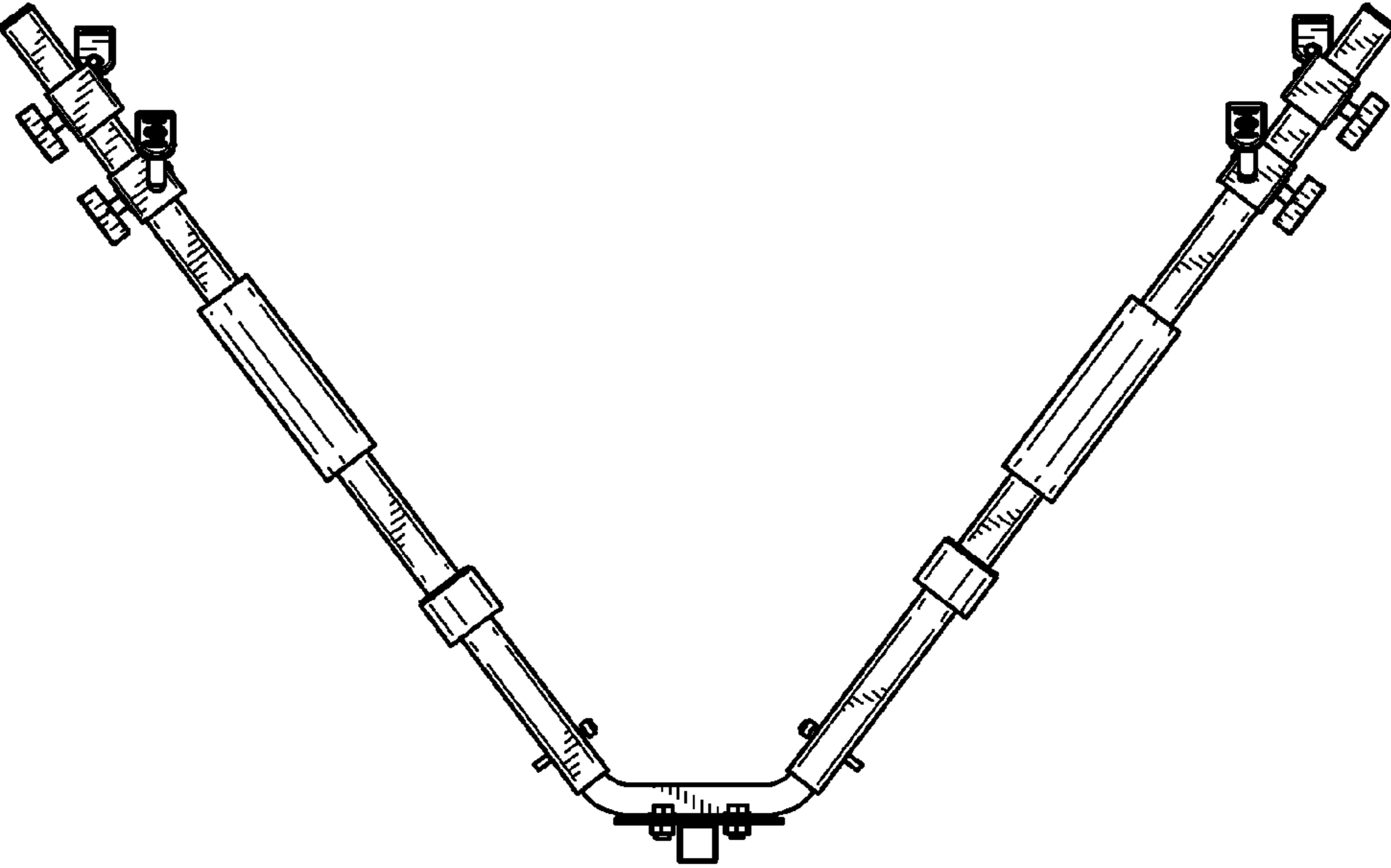


FIG. 5

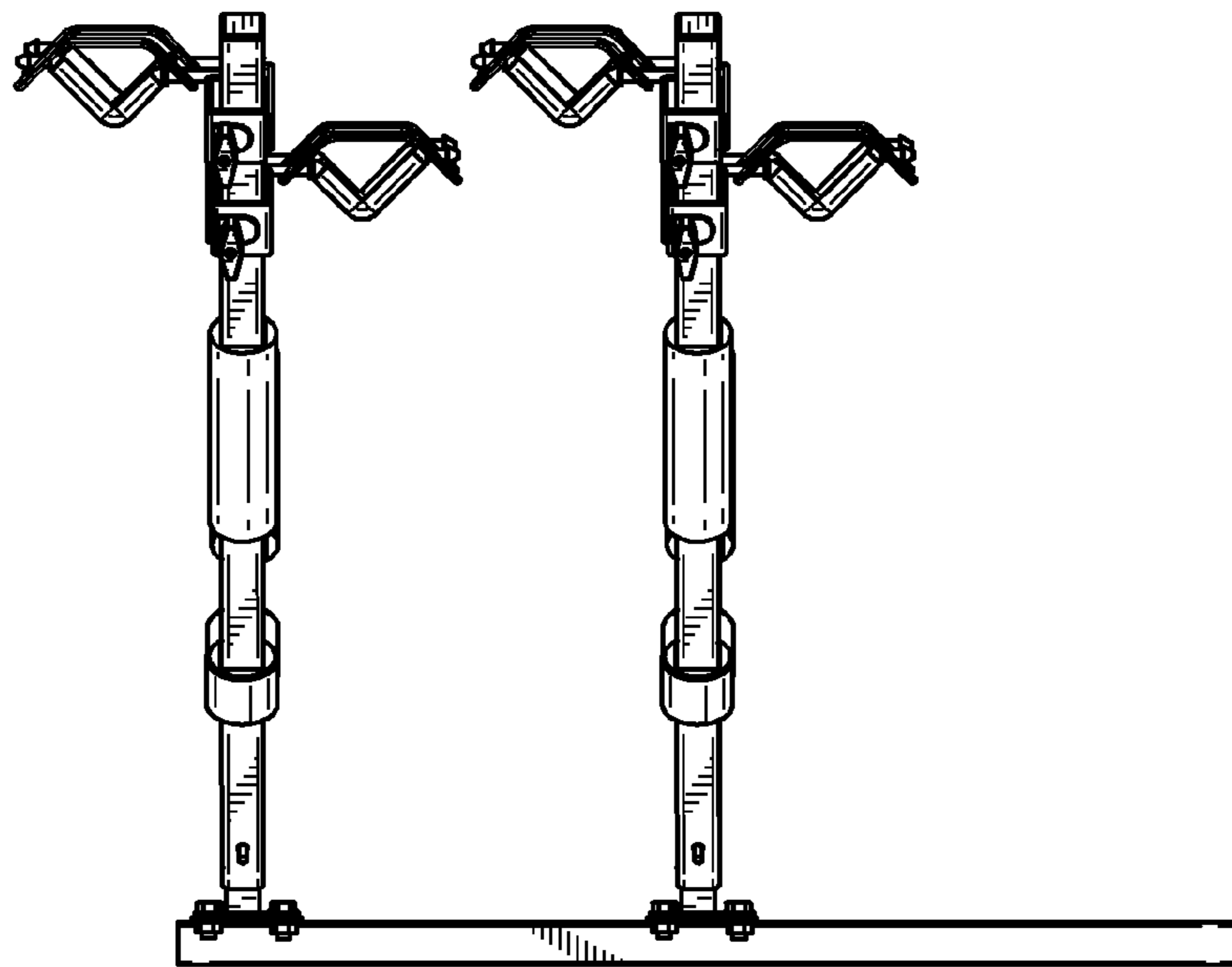


FIG. 6

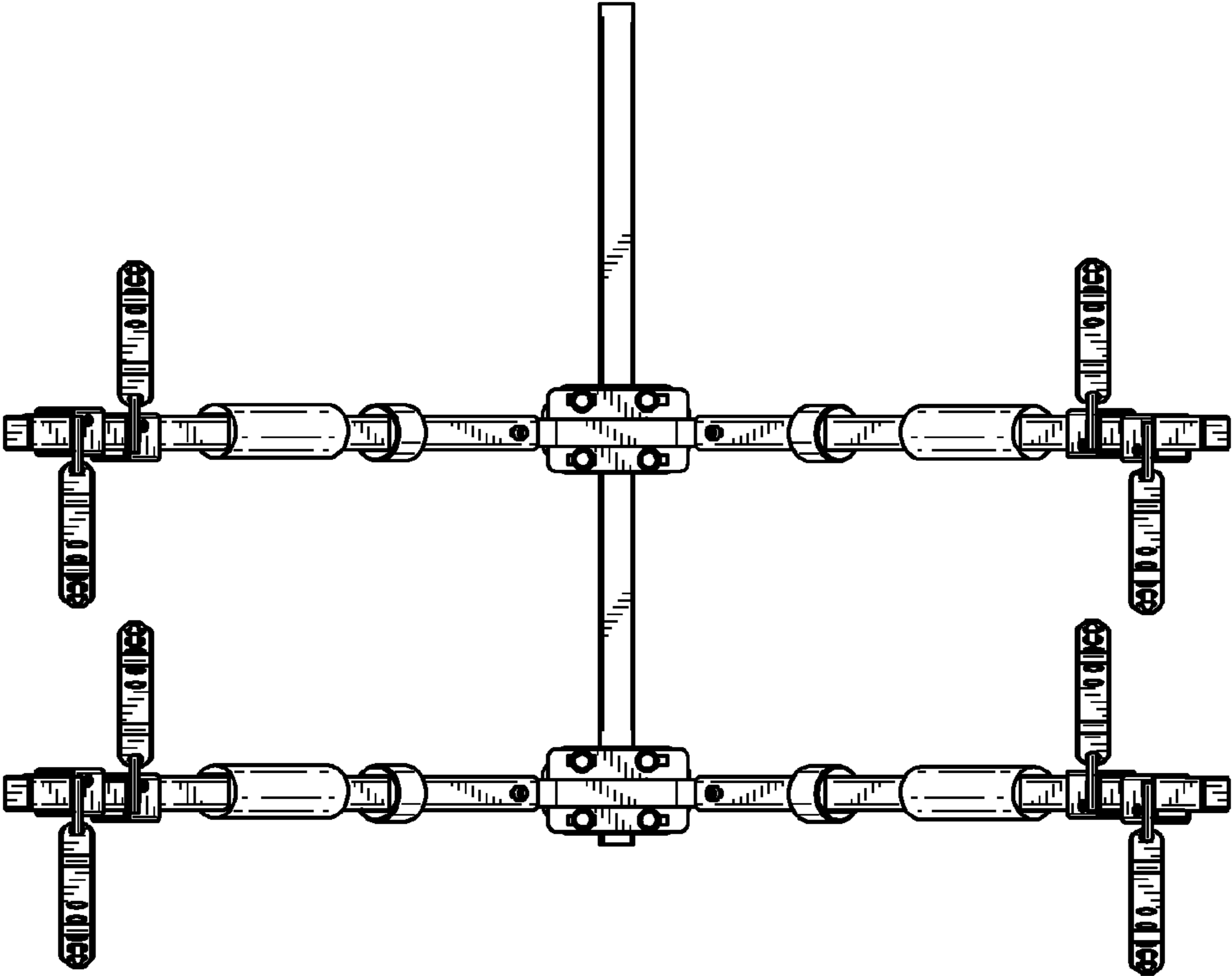


FIG. 7

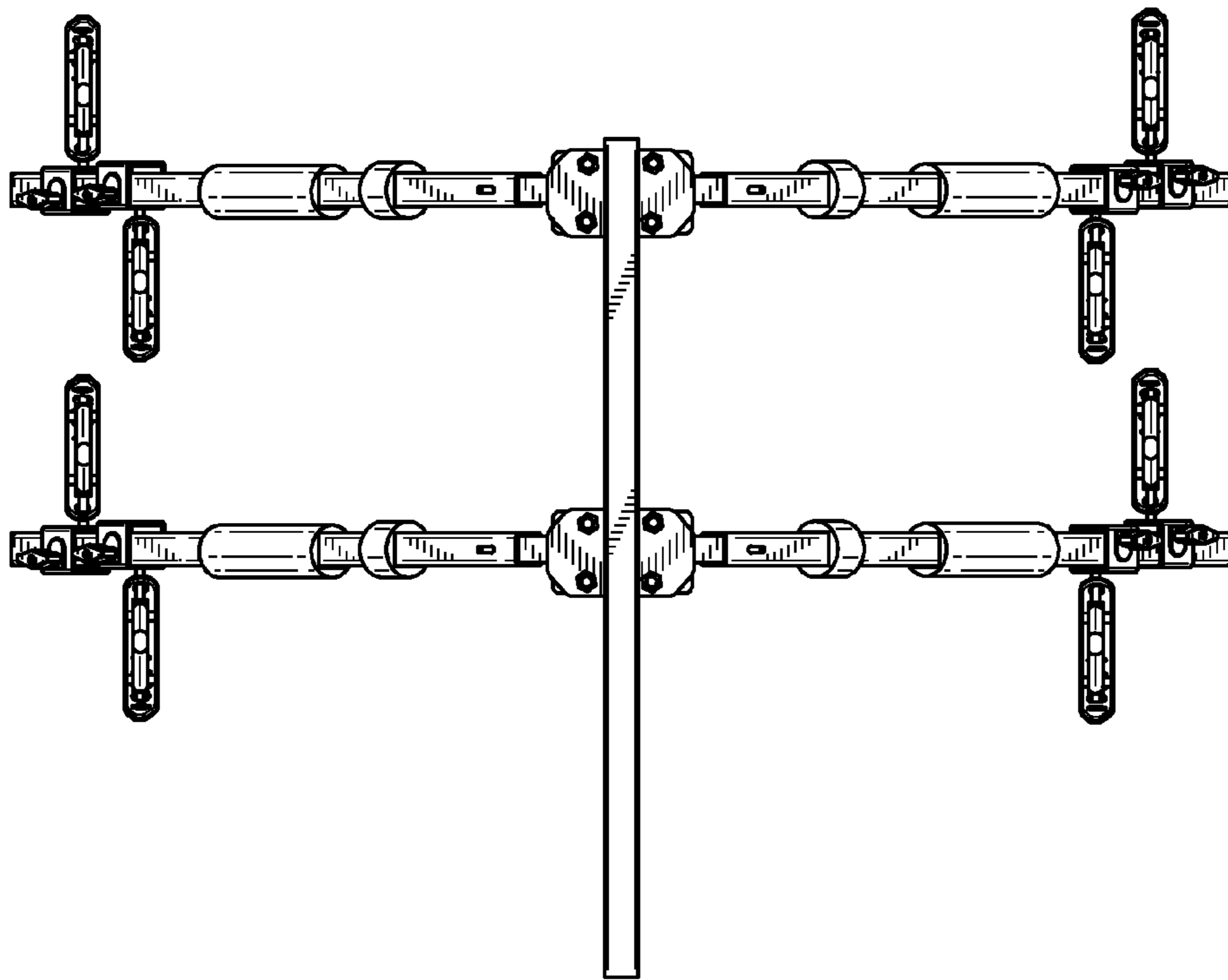


FIG. 8