

US00D722288S

(12) **United States Design Patent**
Tseng

(10) **Patent No.:** **US D722,288 S**
(45) **Date of Patent:** **** Feb. 10, 2015**

(54) **DASHBOARD**

(71) Applicant: **Acewell International Co., Ltd.**, Tao Yuan Hsien (TW)

(72) Inventor: **Ping-Chung Tseng**, Tao Yuan Hsien (TW)

(73) Assignee: **Acewell International Co., Ltd.**, Tao Yuan Hsien (TW)

(**) Term: **14 Years**

(21) Appl. No.: **29/486,161**

(22) Filed: **Mar. 26, 2014**

(51) **LOC (10) Cl.** **12-16**

(52) **U.S. Cl.**
USPC **D12/192**

(58) **Field of Classification Search**
USPC D12/192, 415, 110, 114; 180/90;
280/750-752; 296/190.01-190.09,
296/191, 70; D15/17, 28; D10/46, 98,
D10/102-103, 122-127
See application file for complete search history.

(56) **References Cited**

U.S. PATENT DOCUMENTS

D650,728 S * 12/2011 Mayrand et al. D12/192
D654,415 S * 2/2012 Mizuno D12/192

D656,440 S * 3/2012 Klein D12/192
D673,487 S * 1/2013 Hanson et al. D12/192
D704,611 S * 5/2014 Tilscher D12/192
2009/0206627 A1* 8/2009 Duplantis et al. 296/72

* cited by examiner

Primary Examiner — Katrina A Betton

(74) *Attorney, Agent, or Firm* — The PL Law Group, PLLC

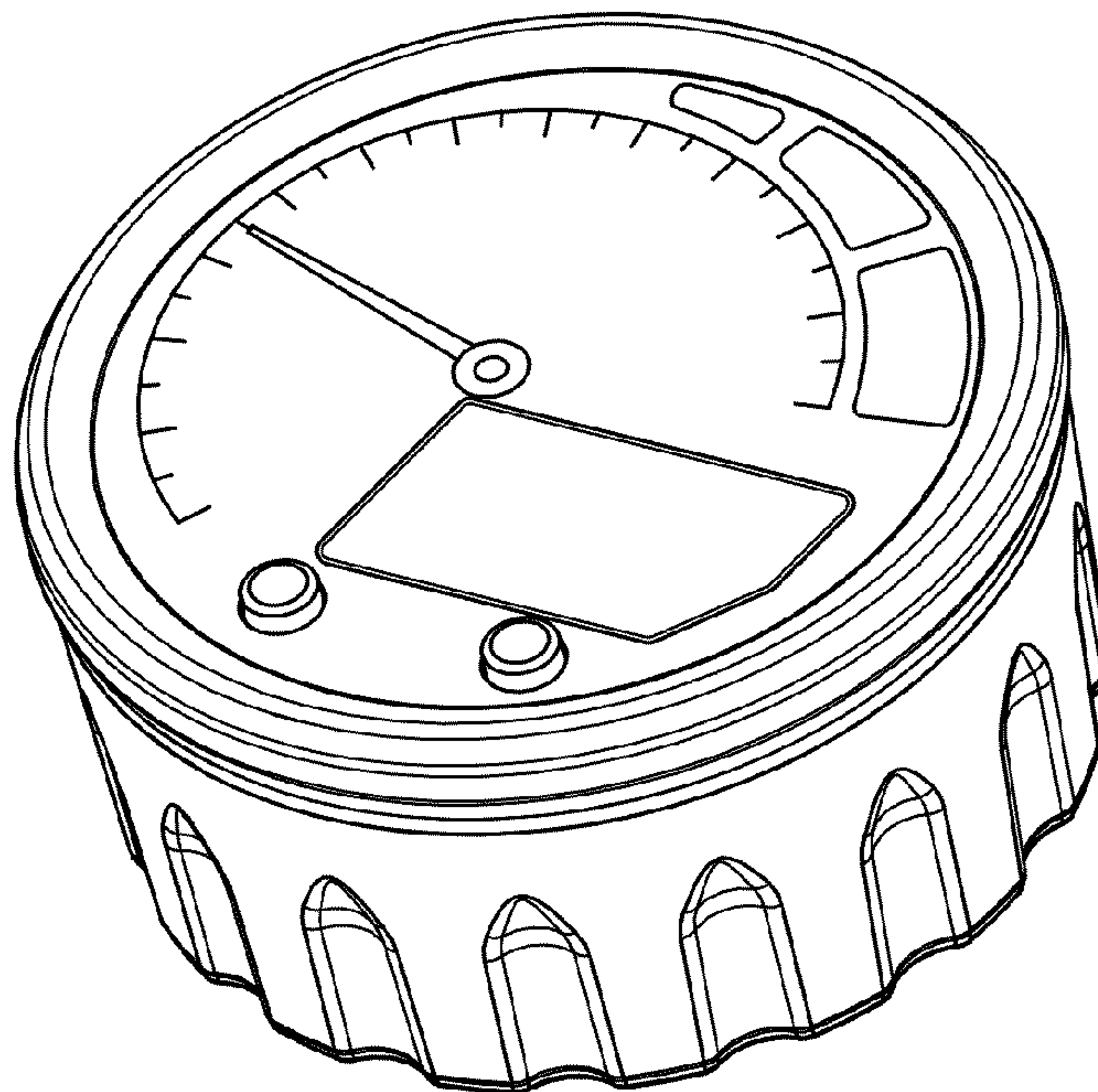
(57) **CLAIM**

The ornamental design for a dashboard, as shown and as described.

DESCRIPTION

FIG. 1 is a perspective view of a dashboard according to the present design;
FIG. 2 is a top view of a dashboard according to the present design;
FIG. 3 is a bottom view of a dashboard according to the present design;
FIG. 4 is a front view of a dashboard according to the present design;
FIG. 5 is a rear view of a dashboard according to the present design;
FIG. 6 is a left side view of a dashboard according to the present design; and,
FIG. 7 is a right side view of a dashboard according to the present design.

1 Claim, 7 Drawing Sheets



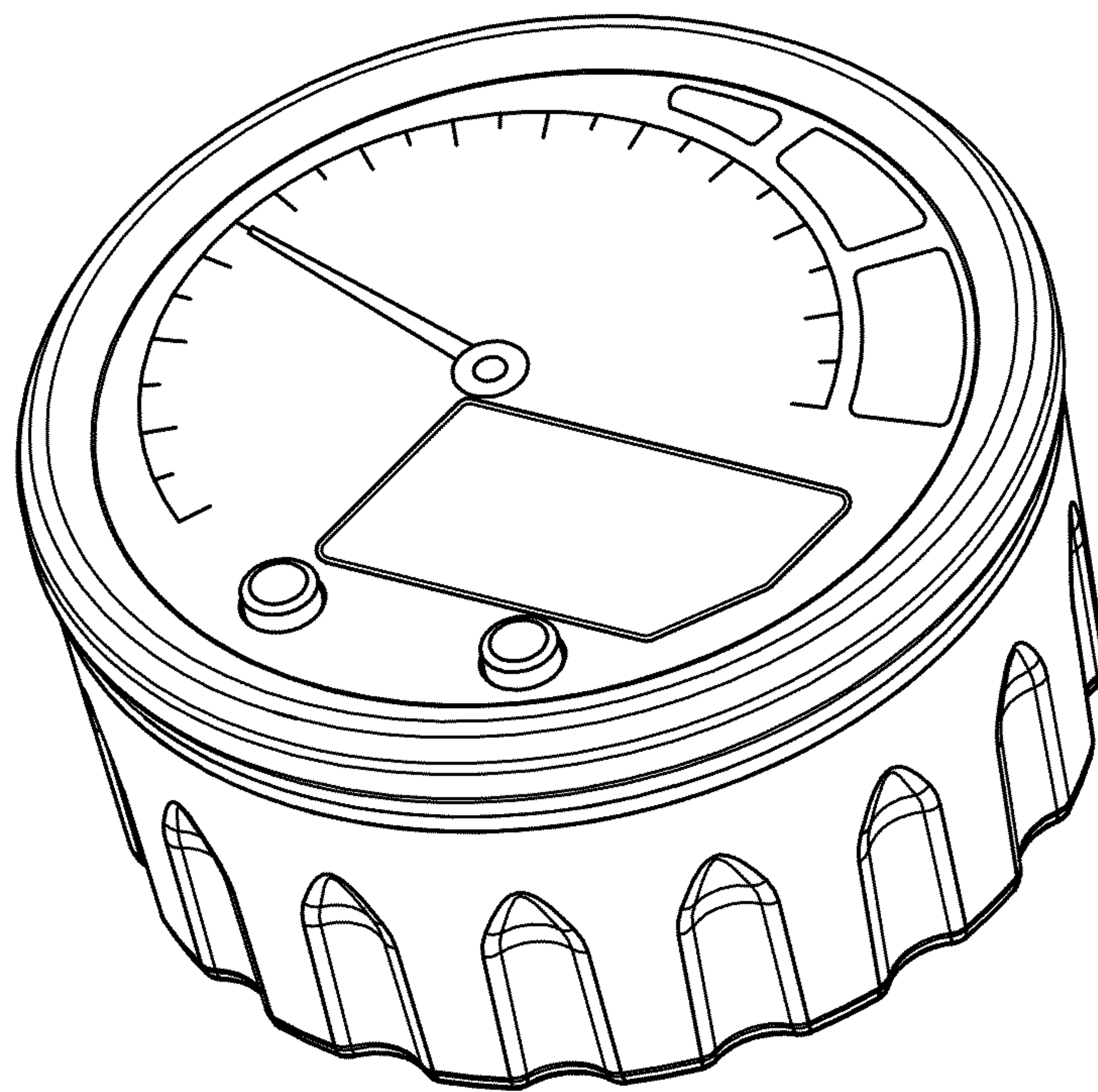


Fig. 1

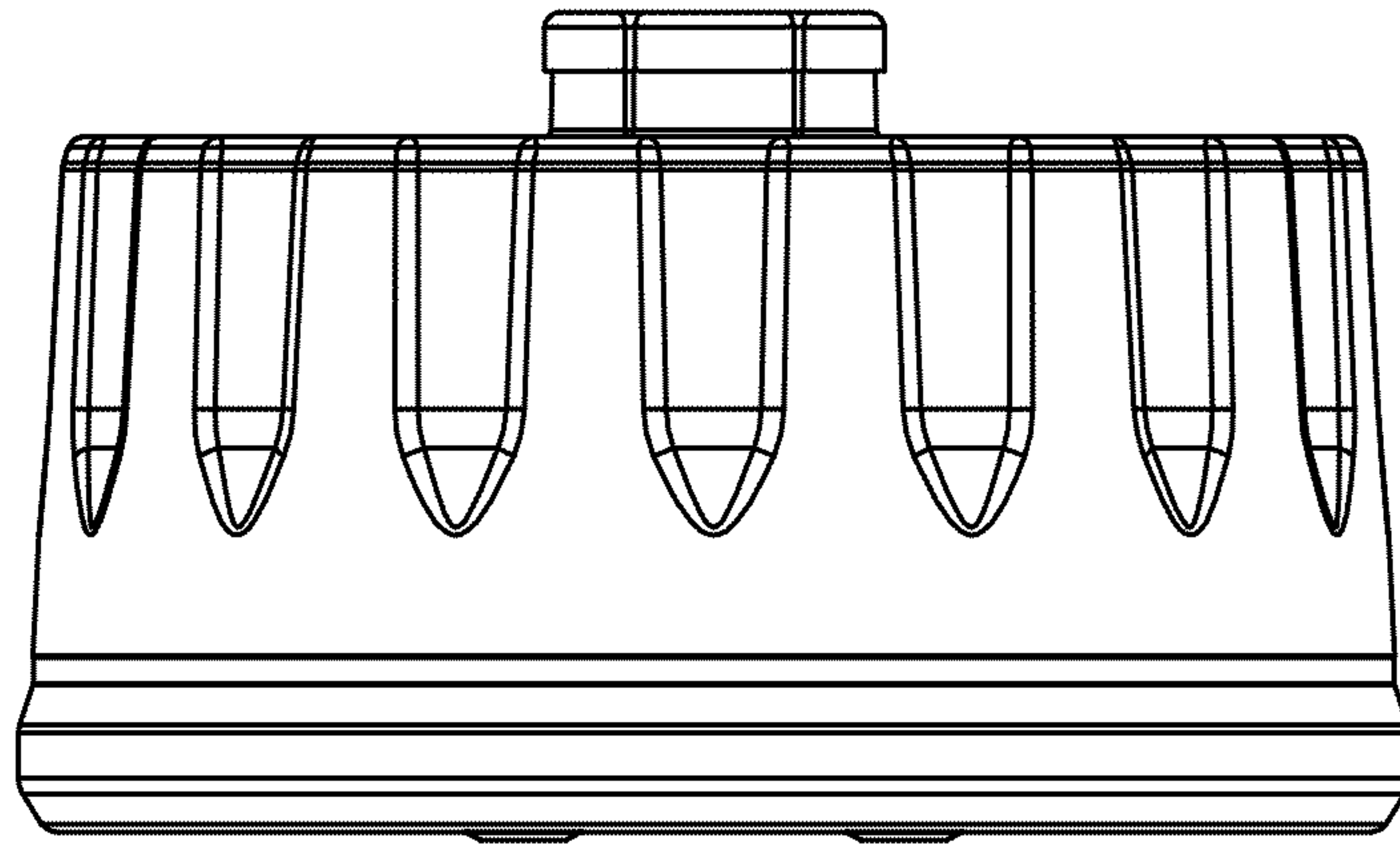


Fig. 2

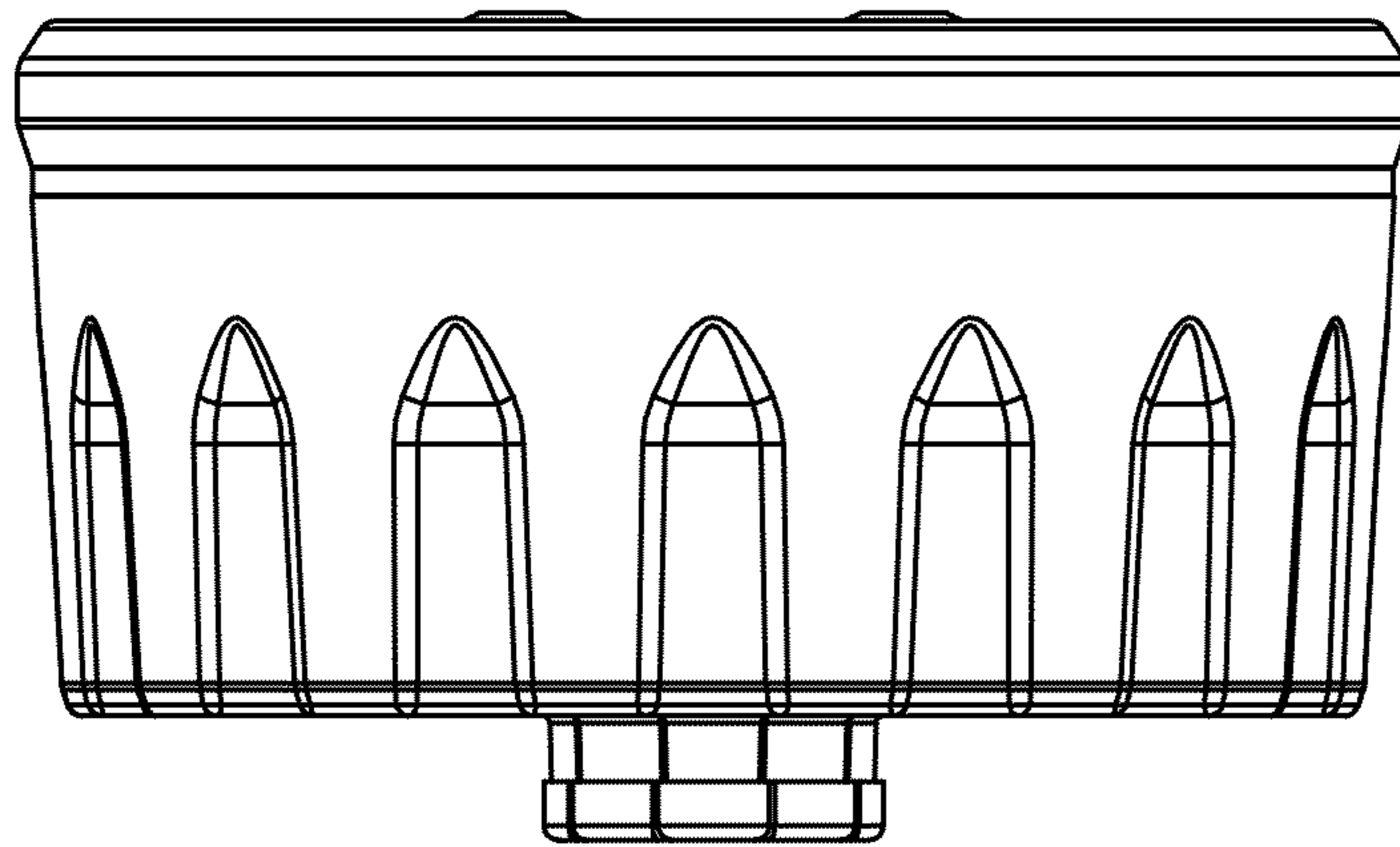


Fig. 3

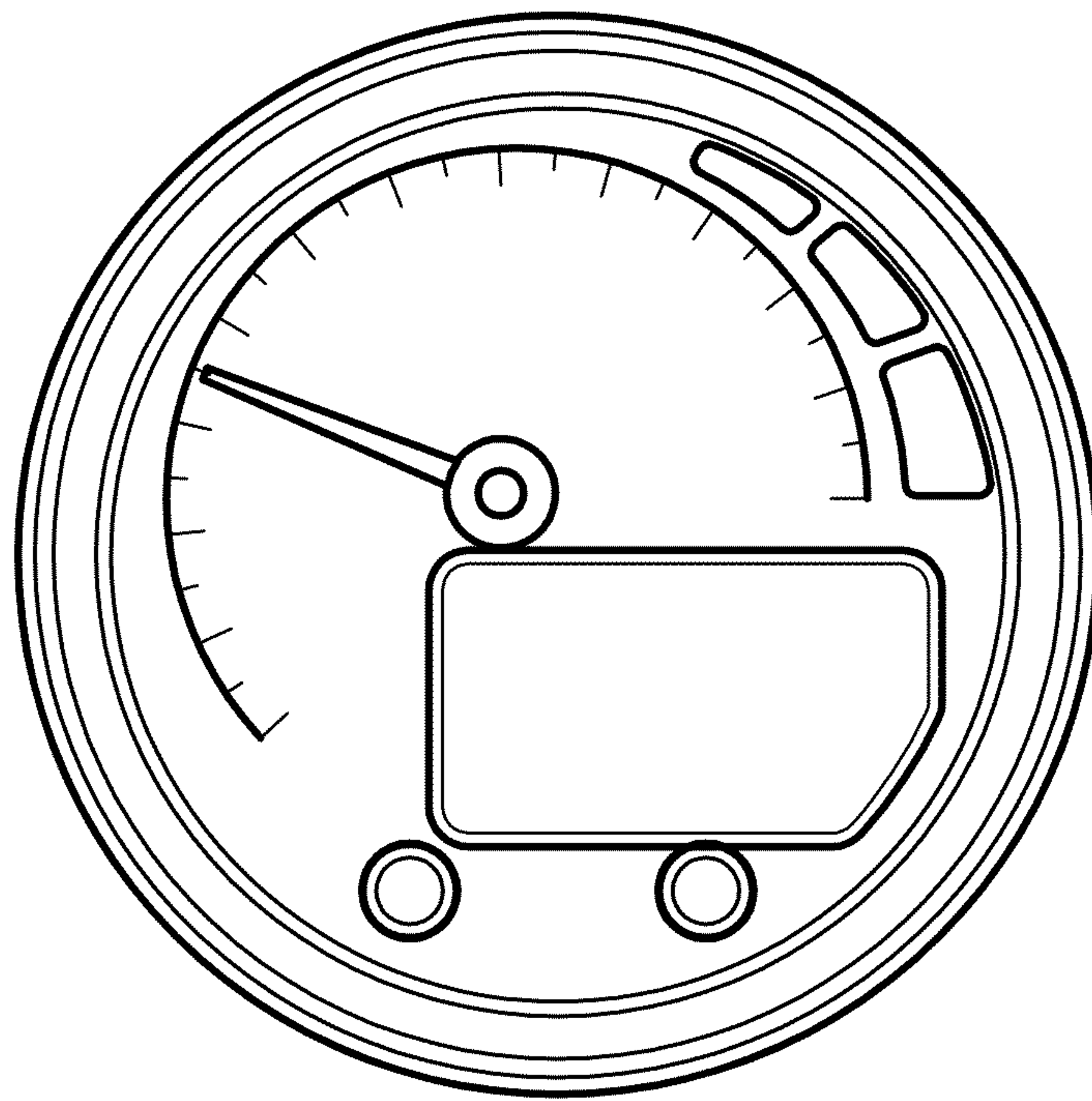


Fig. 4

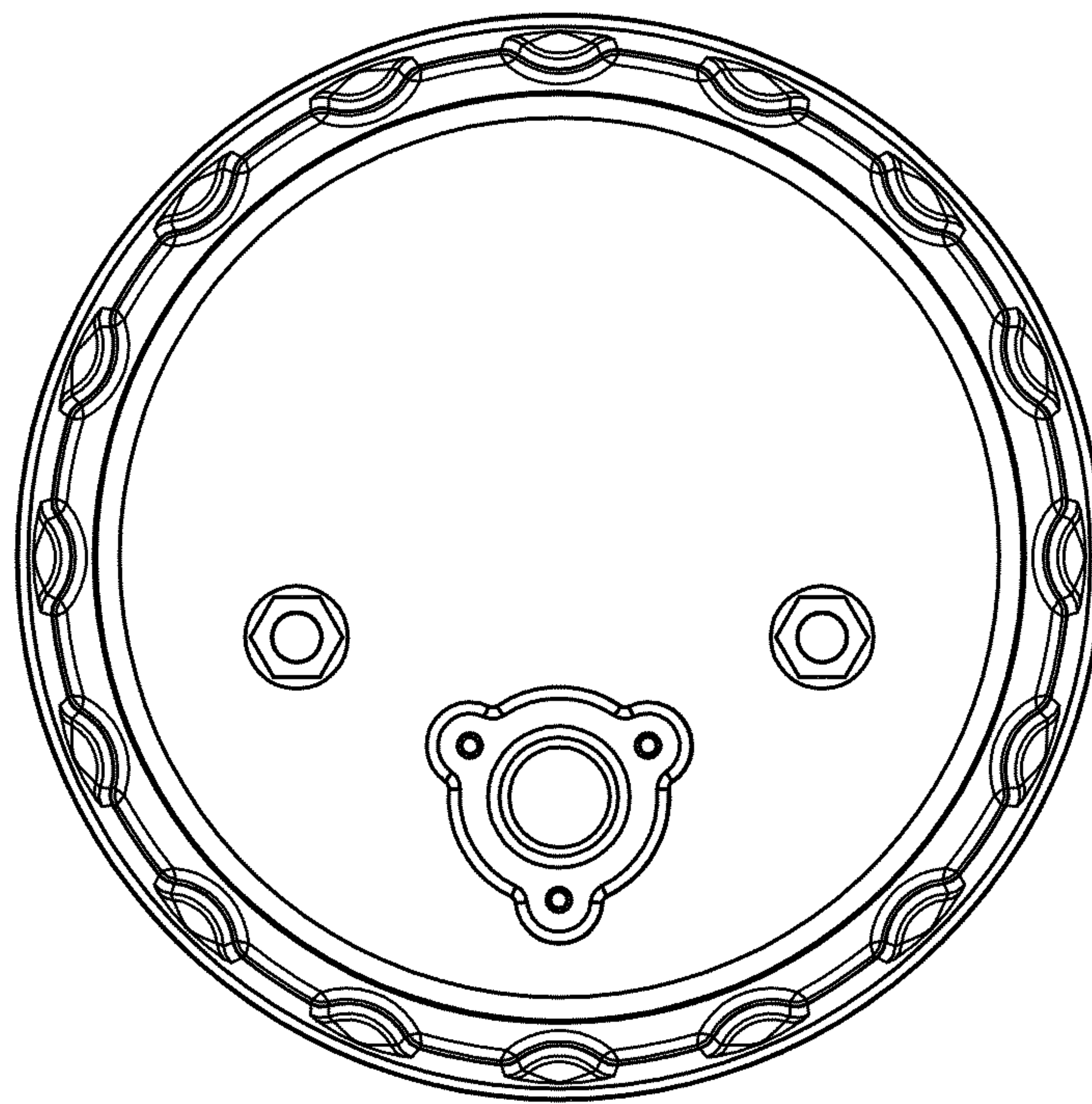


Fig. 5

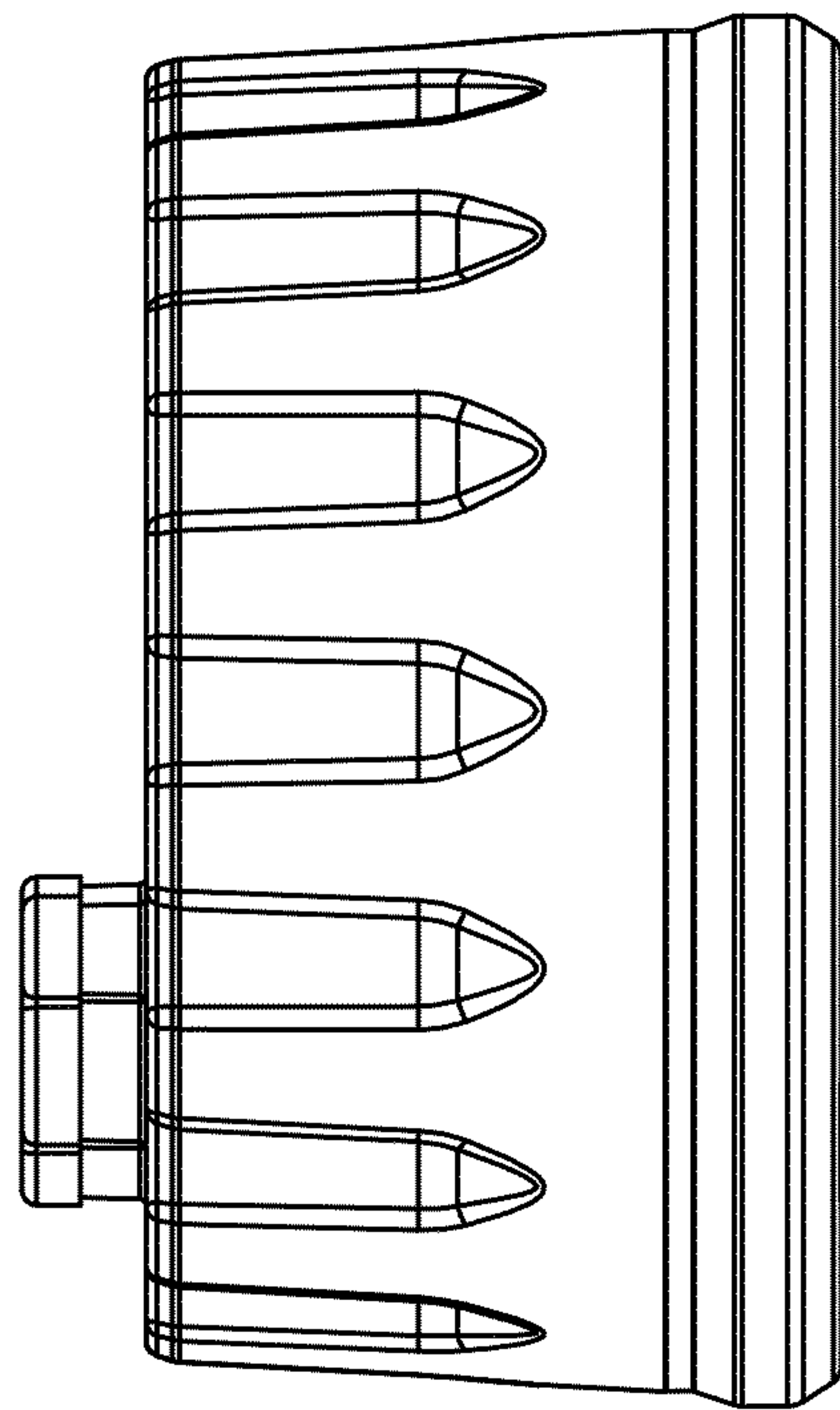


Fig. 6

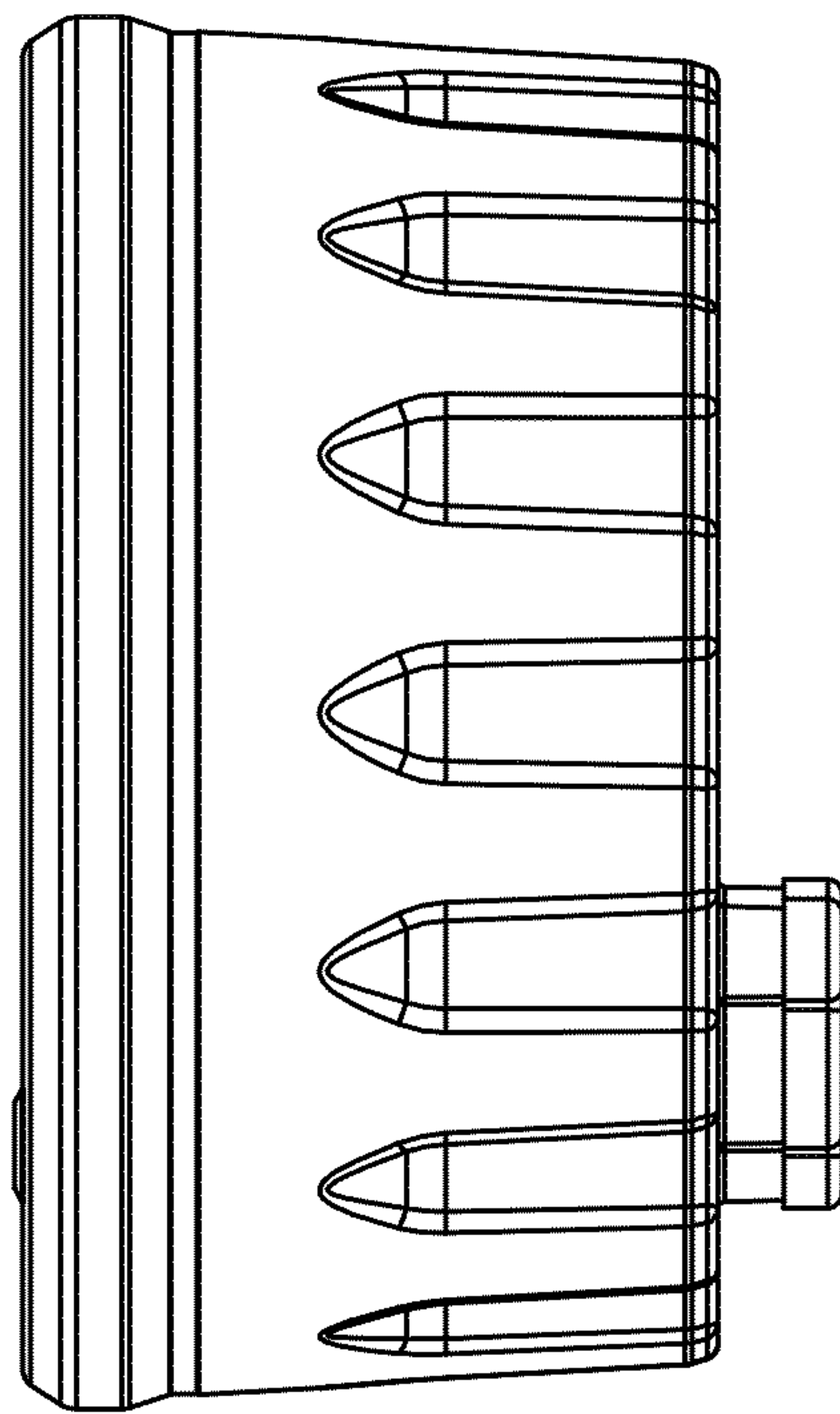


Fig. 7