



US00D722287S

(12) **United States Design Patent**  
**Janssen et al.**

(10) **Patent No.:** **US D722,287 S**  
(45) **Date of Patent:** **\*\* Feb. 10, 2015**

(54) **FRONT FASCIA OF A VEHICLE, TOY,  
AND/OR REPLICAS THEREOF**

(75) Inventors: **Bertrand Janssen**, Stuttgart (DE); **Kai Sieber**, Stuttgart (DE)

(73) Assignee: **Daimler AG**, Stuttgart (DE)

(\*\*) Term: **14 Years**

(21) Appl. No.: **29/431,773**

(22) Filed: **Sep. 11, 2012**

(30) **Foreign Application Priority Data**

Mar. 12, 2012 (EM) ..... 002006841-0001

(51) **LOC (10) Cl.** ..... **12-16**

(52) **U.S. Cl.**  
USPC ..... **D12/164**

(58) **Field of Classification Search**  
USPC ..... D12/86, 90, 91, 92, 163, 164, 169, 196,  
D12/171, 216; 296/37.6, 181.1, 181.5,  
296/183.1; D21/424, 433, 434; 293/102,  
293/112, 113, 115, 117, 120  
See application file for complete search history.

(56) **References Cited**

U.S. PATENT DOCUMENTS

D550,122 S	9/2007	Pfeiffer	
D555,539 S	11/2007	Pfeiffer	
D555,540 S	11/2007	Pfeiffer	
D556,635 S	12/2007	Pfeiffer	
D556,636 S	12/2007	Pfeiffer	
D572,636 S *	7/2008	Hayashi et al.	D12/164
D585,341 S *	1/2009	Sonoda et al.	D12/164
D598,821 S *	8/2009	Nakamura et al.	D12/164
D600,172 S *	9/2009	Frenzel et al.	D12/164

D608,700 S *	1/2010	Burki et al.	D12/164
D615,464 S *	5/2010	Frei et al.	D12/164
D643,787 S *	8/2011	Burki et al.	D12/164
D658,552 S *	5/2012	Fetherston et al.	D12/164
D671,044 S *	11/2012	Fetherston et al.	D12/164
D679,635 S *	4/2013	Sugimoto et al.	D12/164
D685,698 S *	7/2013	Takei	D12/164
2010/0326756 A1 *	12/2010	Landgraf et al.	180/68.3
2013/0093212 A1 *	4/2013	Harris et al.	296/191

OTHER PUBLICATIONS

Mercedes-Benz. The Sprinter. Electronic Brochure. Sep. 17, 2012 [online], [retrieved on Oct. 27, 2013]. Retrieved from the Internet <URL: [http://www.mbsprinterusa.com/files/brochures/MB\\_Sprinter\\_Brochure\\_2013.pdf](http://www.mbsprinterusa.com/files/brochures/MB_Sprinter_Brochure_2013.pdf)>.\*

\* cited by examiner

*Primary Examiner* — Phillip S Hyder

*Assistant Examiner* — Darlington Ly

(74) *Attorney, Agent, or Firm* — Crowell & Moring LLP

(57) **CLAIM**

The ornamental design for a front fascia of a vehicle, toy, and/or replicas thereof, as shown and described.

**DESCRIPTION**

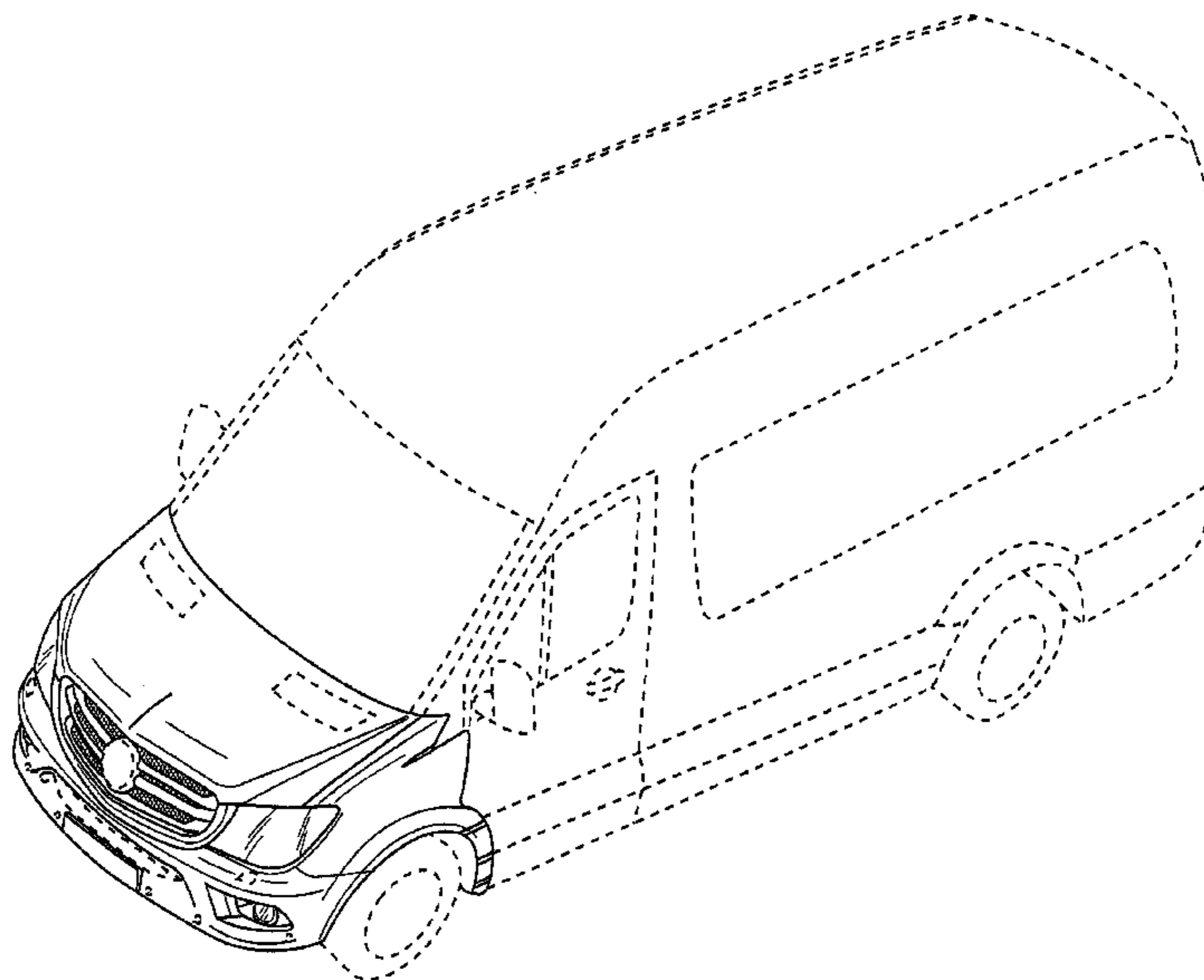
FIG. 1 is a top, front, and left-side perspective view of a front fascia of a vehicle, toy, and/or replicas thereof according to our design;

FIG. 2 is a left side view thereof, the right side view being mirror symmetrical; and,

FIG. 3 is a front view thereof.

The broken lines shown in the drawings illustrate portions of the front fascia of a vehicle, toy, and/or replicas thereof that form no part of the claimed design. Also enclosed is a set of photographs of an embodiment of the design.

**1 Claim, 3 Drawing Sheets**



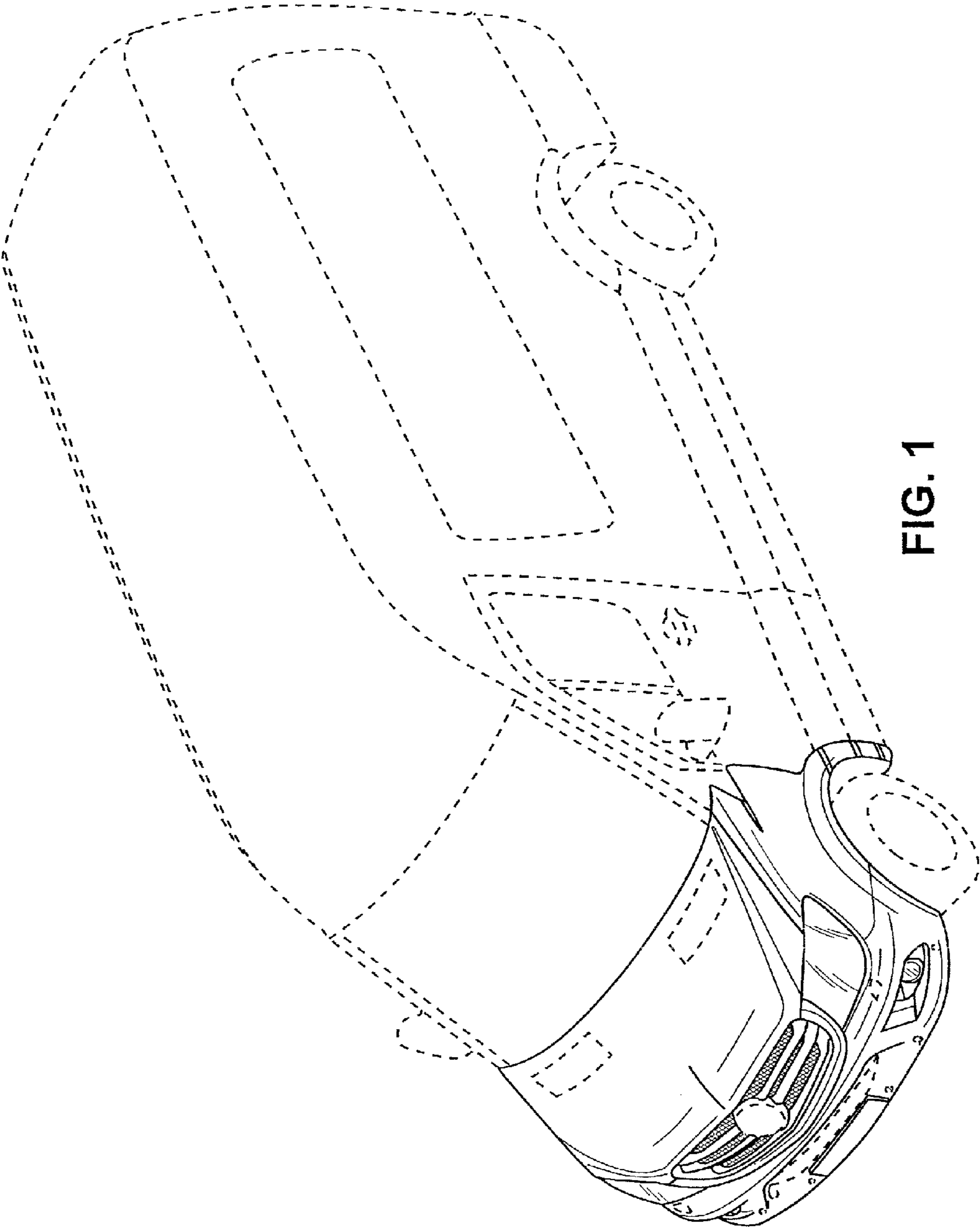


FIG. 1

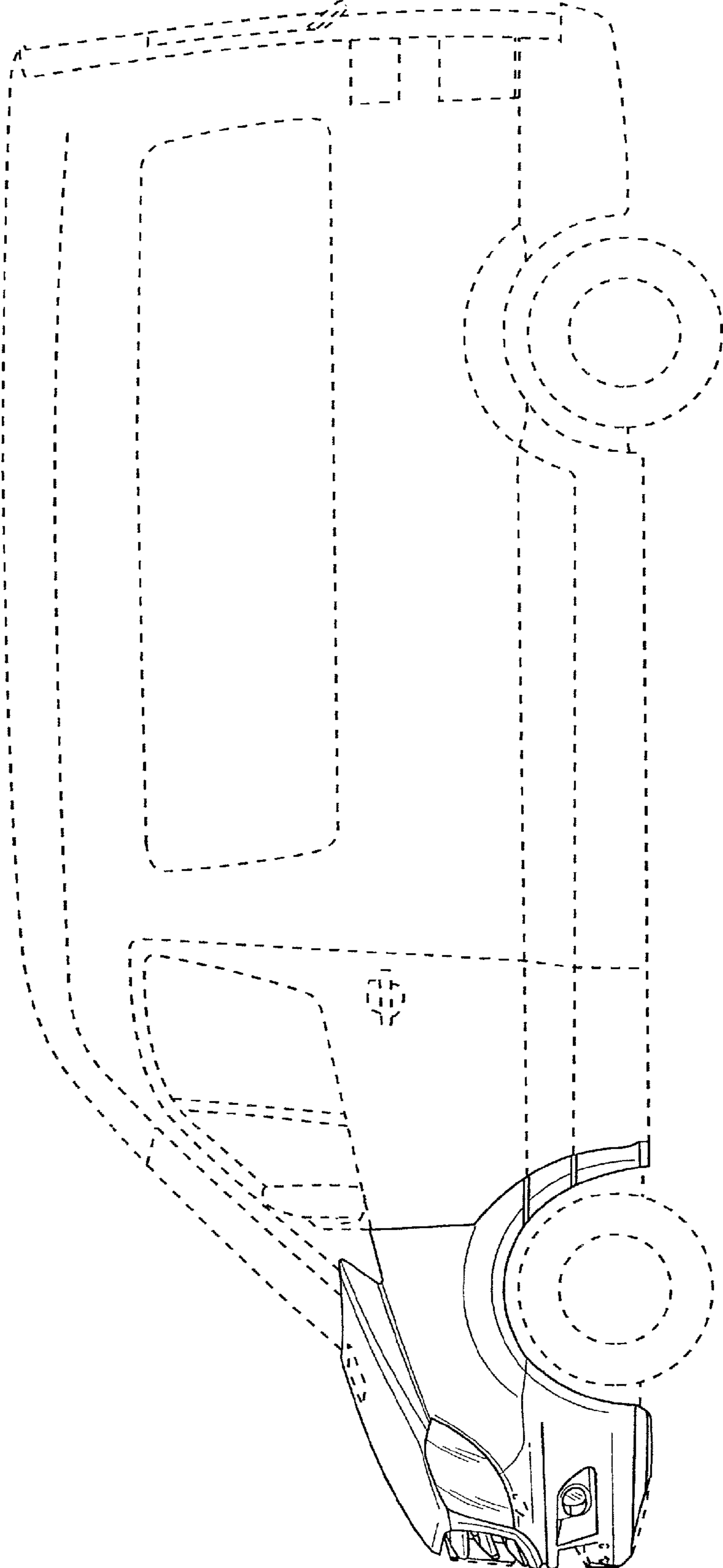


FIG 2

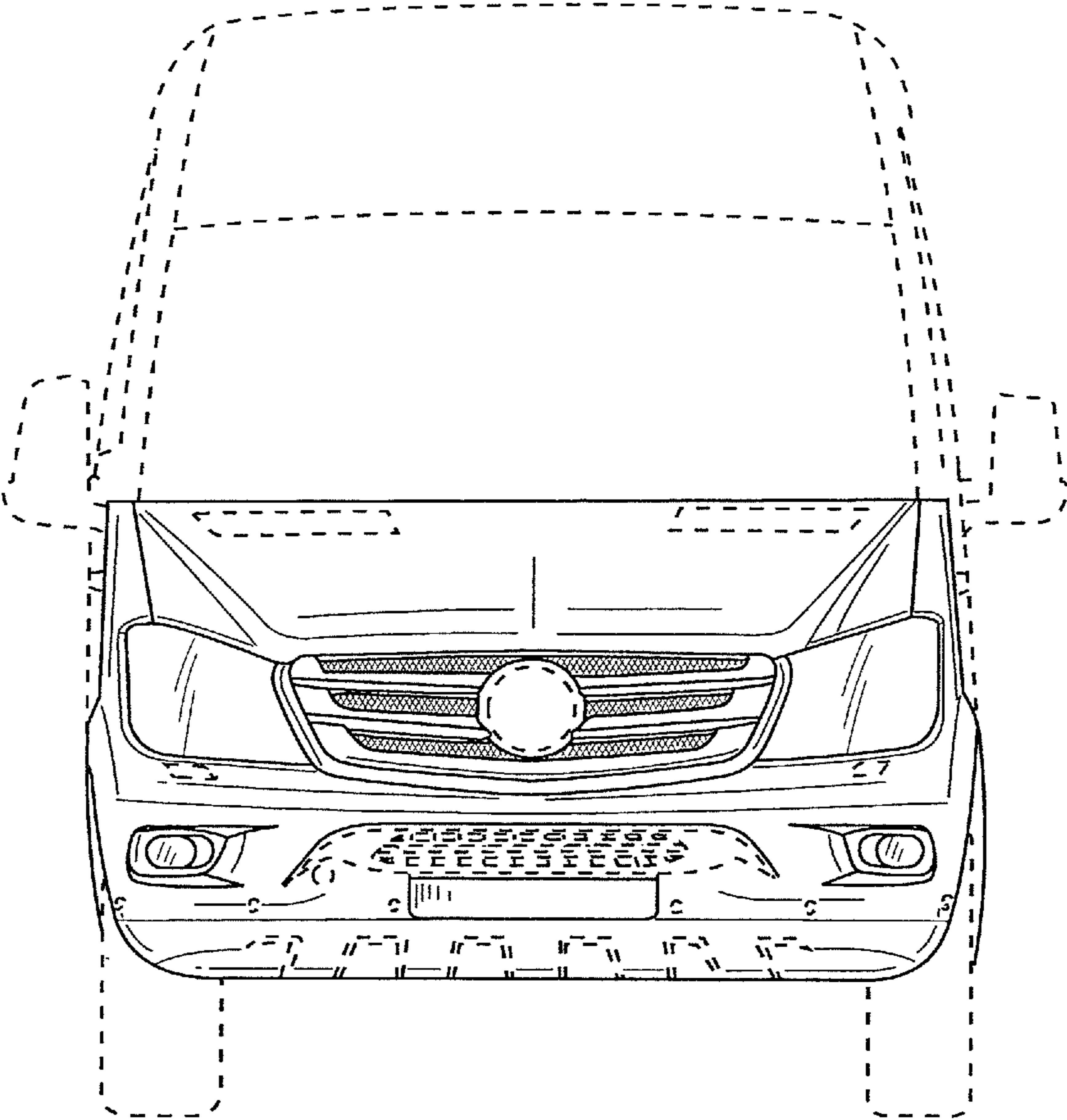


FIG. 3