



US00D722285S

(12) **United States Design Patent**
Silva

(10) **Patent No.:** **US D722,285 S**

(45) **Date of Patent:** **** Feb. 10, 2015**

(54) **BICYCLE FRAME**

7,413,208 B2 * 8/2008 Weng 280/284
D635,894 S * 4/2011 Argote Vivar D12/111
D686,950 S * 7/2013 Lin D12/111

(71) Applicant: **Taichung Trading, LLC**, El Segundo,
CA (US)

(Continued)

(72) Inventor: **Gary Silva**, El Segundo, CA (US)

FOREIGN PATENT DOCUMENTS

(73) Assignee: **Taichung Trading, LLC**, El Segundo,
CA (US)

DE 2502468 A * 8/2013 B62K 15/00
EP 1378429 A1 * 1/2004 B62K 15/00

(Continued)

(**) Term: **14 Years**

OTHER PUBLICATIONS

(21) Appl. No.: **29/490,600**

“2010 Jamis Bicycles.” Product Catalog., Sep. 9, 2009 [online],
[retrieved on Sep. 5, 2014]. Retrieved from the Internet <URL: http://www.jamisbikes.com/catalog_archive/10_JAMIS_CATALOG.pdf>.*

(22) Filed: **May 12, 2014**

(Continued)

(51) **LOC (10) Cl.** **12-11**

(52) **U.S. Cl.**
USPC **D12/111**

(58) **Field of Classification Search**
CPC B62K 3/00; B62K 3/005; B62K 9/00;
B62K 19/00; B62K 19/02; B62K 19/04;
B62K 19/06; B62K 19/16
USPC D12/111, 117; 280/274–280, 281.1,
280/283–288, 288.1–288.4
See application file for complete search history.

Primary Examiner — Philip S Hyder

Assistant Examiner — Darlington Ly

(74) *Attorney, Agent, or Firm* — Knobbe, Martens, Olson &
Bear, LLP

(57) **CLAIM**

The ornamental designs for a bicycle frame, as shown and
described.

DESCRIPTION

(56) **References Cited**

U.S. PATENT DOCUMENTS

2,855,218 A * 10/1958 Douglas et al. 280/281.1
D239,614 S * 4/1976 Selfert D12/111
D343,598 S * 1/1994 Southwell et al. D12/111
D392,602 S * 3/1998 Silva D12/111
6,375,210 B1 * 4/2002 Lam 280/281.1
D486,424 S * 2/2004 Sagan D12/111
D517,452 S * 3/2006 Hickman D12/111
D523,380 S * 6/2006 Auger et al. D12/111
D533,812 S * 12/2006 Hoisington D12/111
7,374,191 B1 * 5/2008 Tseng 280/284
7,390,005 B2 * 6/2008 Lin 280/274

FIG. 1 is a left side and front perspective view of the bicycle
frame that embodies the design.

FIG. 2 is a right side and rear perspective view of the bicycle
frame of FIG. 1.

FIG. 3 is a rear view of the bicycle frame of FIG. 1.

FIG. 4 is a front view of the bicycle frame of FIG. 1.

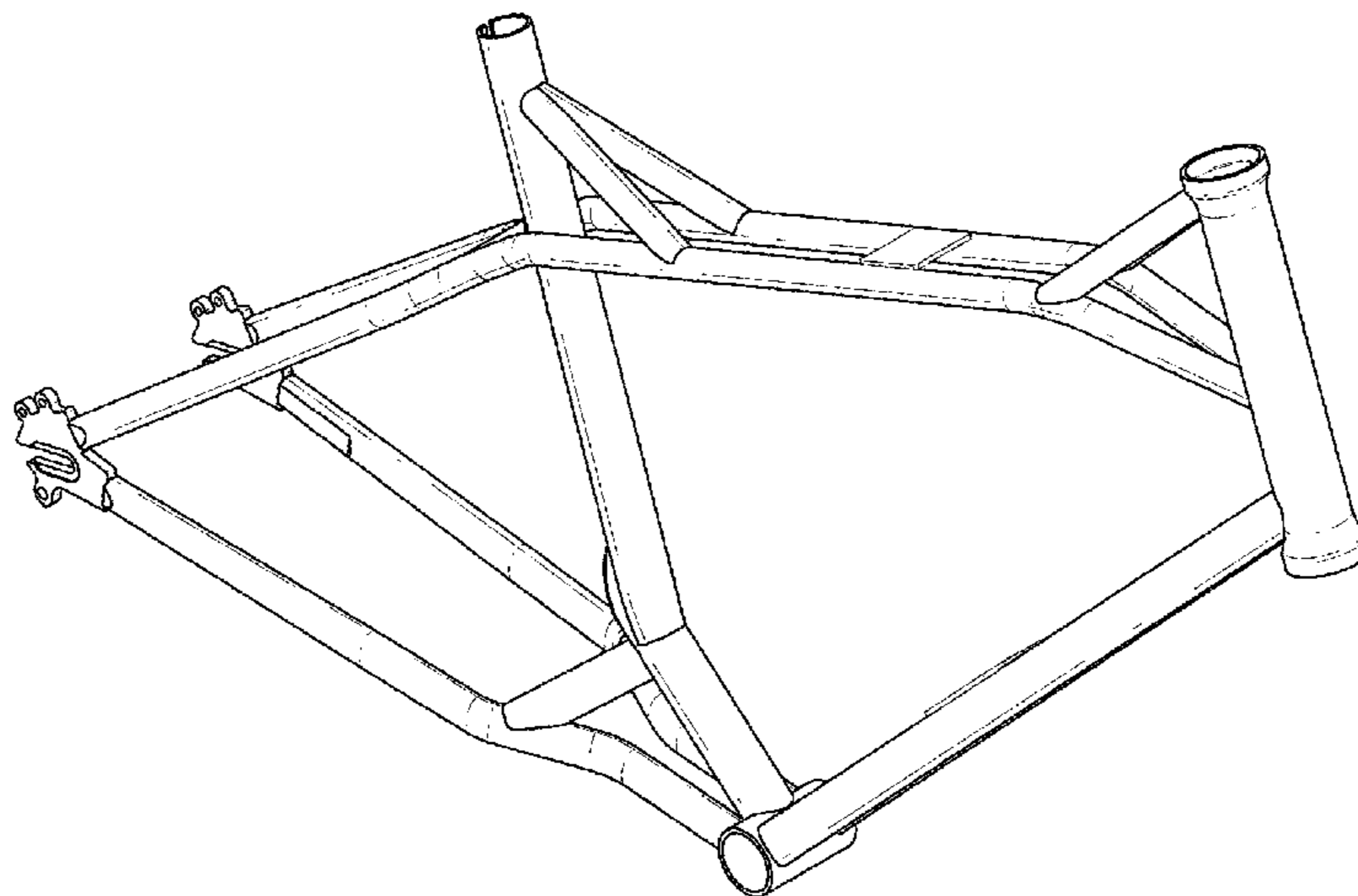
FIG. 5 is a left side view of the bicycle frame of FIG. 1.

FIG. 6 is a right side view of the bicycle frame of FIG. 1.

FIG. 7 is a top view of the bicycle frame of FIG. 1; and,

FIG. 8 is a bottom view of the bicycle frame of FIG. 1.

1 Claim, 6 Drawing Sheets



(56)

References Cited

U.S. PATENT DOCUMENTS

D688,599 S * 8/2013 Silva D12/111
8,720,929 B2 * 5/2014 D’Aluisio 280/281.1
2007/0235976 A1 * 10/2007 Lin 280/281.1
2008/0238031 A1 * 10/2008 Tseng 280/284
2014/0054873 A1 * 2/2014 Cocalis 280/281.1

FOREIGN PATENT DOCUMENTS

EP 202014102153 U1 * 10/2004 B62K 15/00
JP 2009262921 A * 11/2009 B62K 15/00

OTHER PUBLICATIONS

“Cannondale Urban Line 2007.” Product Catalog., Aug. 23, 2006 [online], [retrieved on Sep. 5, 2014]. Retrieved from the Internet <URL: http://vintagecannondale.com/year/2007/2007urban_catalog_E.pdf>.*
“2010 Tek Mountain Bikes.” Product Catalog., Aug. 18, 2009 [online], [retrieved on Sep. 5, 2014]. Retrieved from the Internet <URL: <http://www.trekbikes.com/pdf/2010/catalog/mountain.pdf>>.*

* cited by examiner

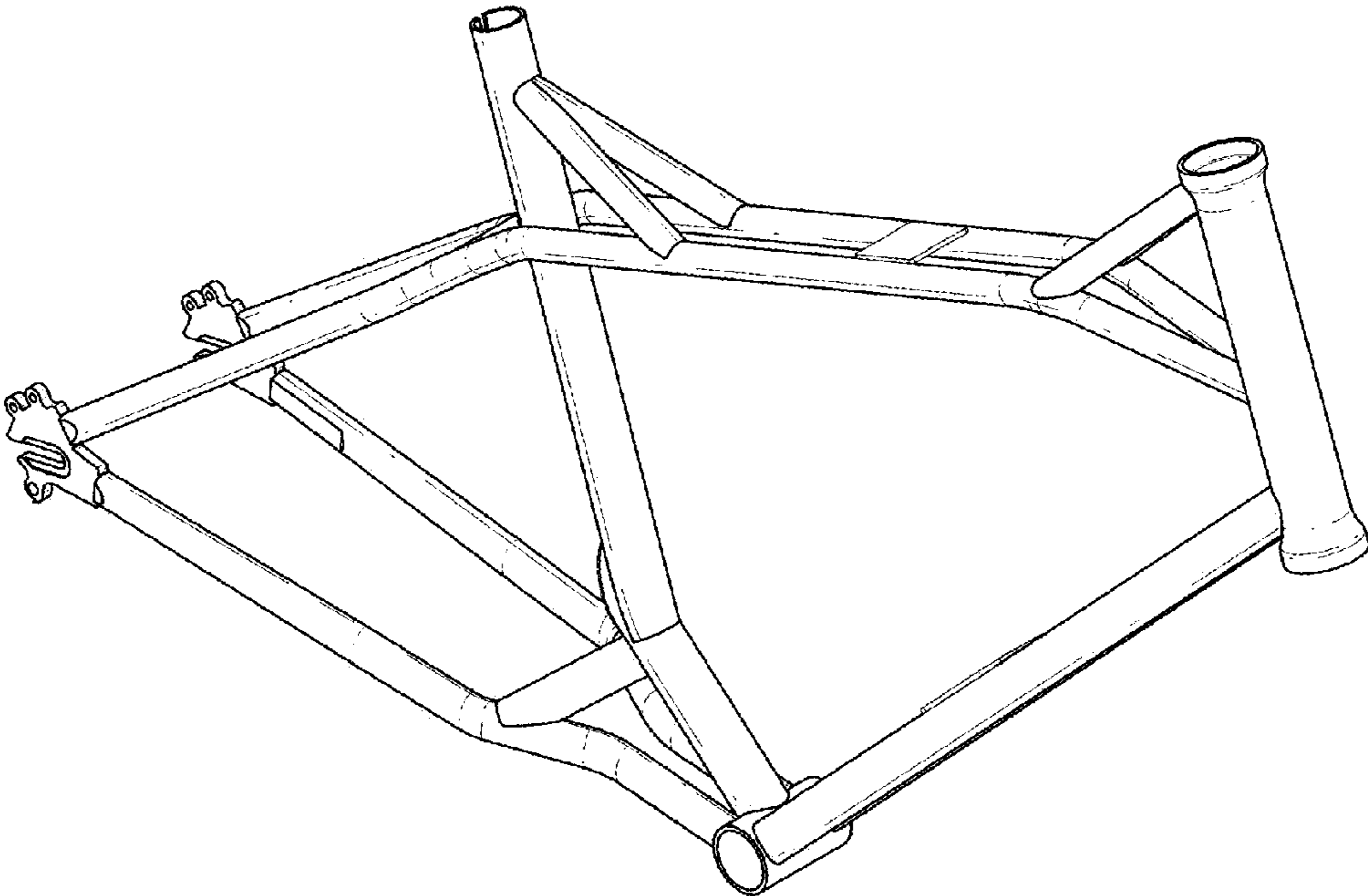


FIG. 1

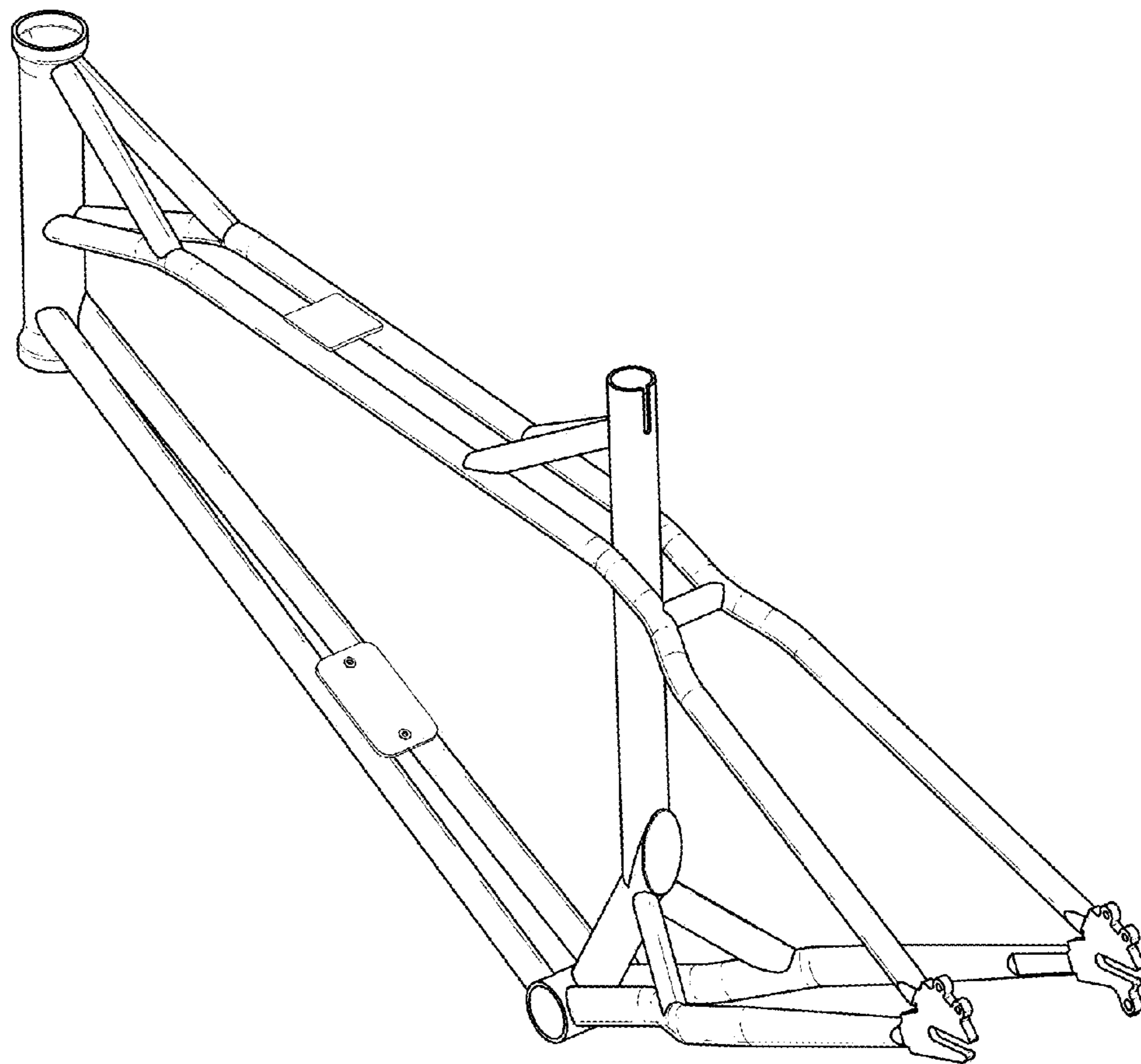


FIG. 2

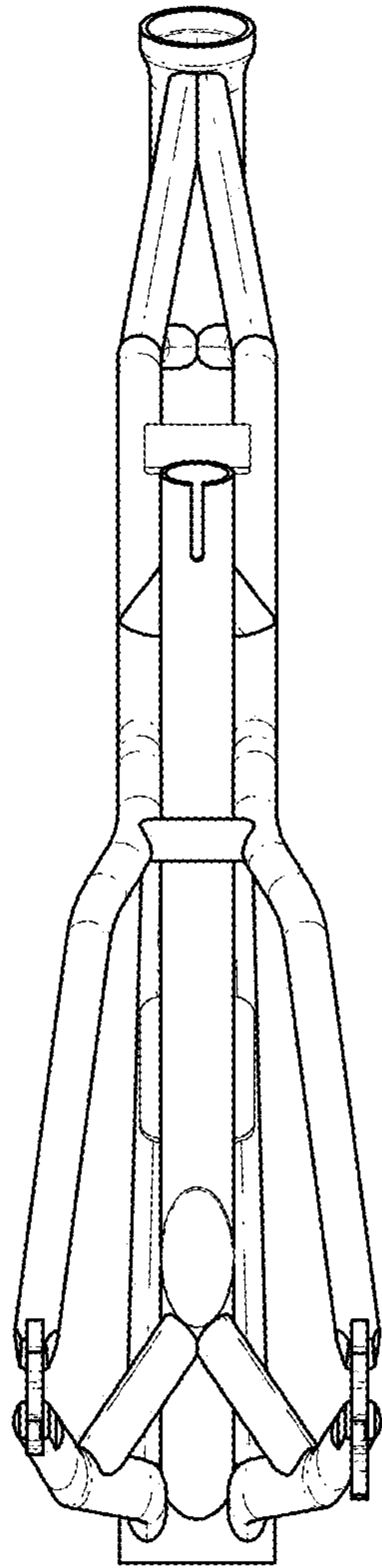


FIG. 3

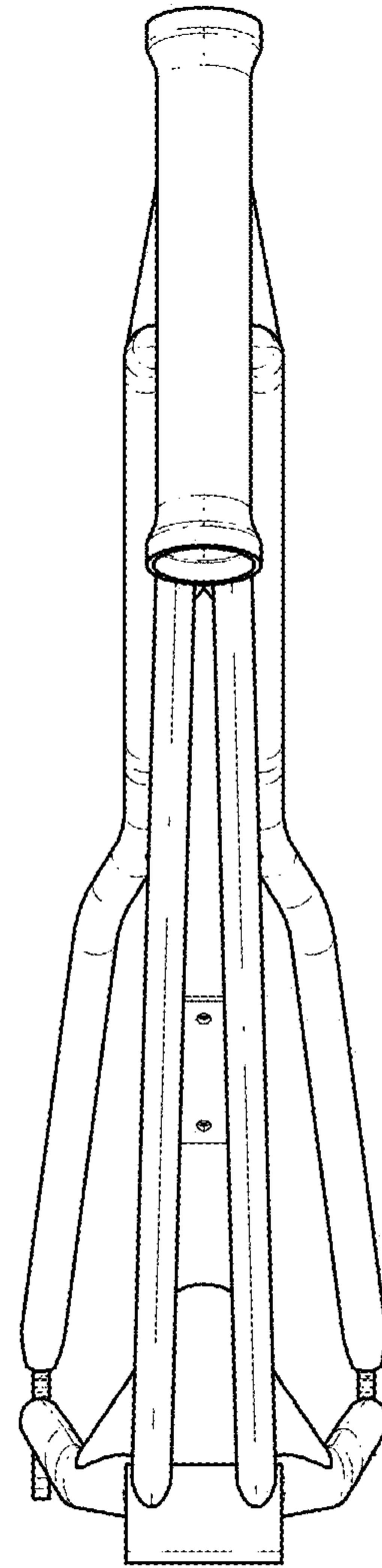


FIG. 4

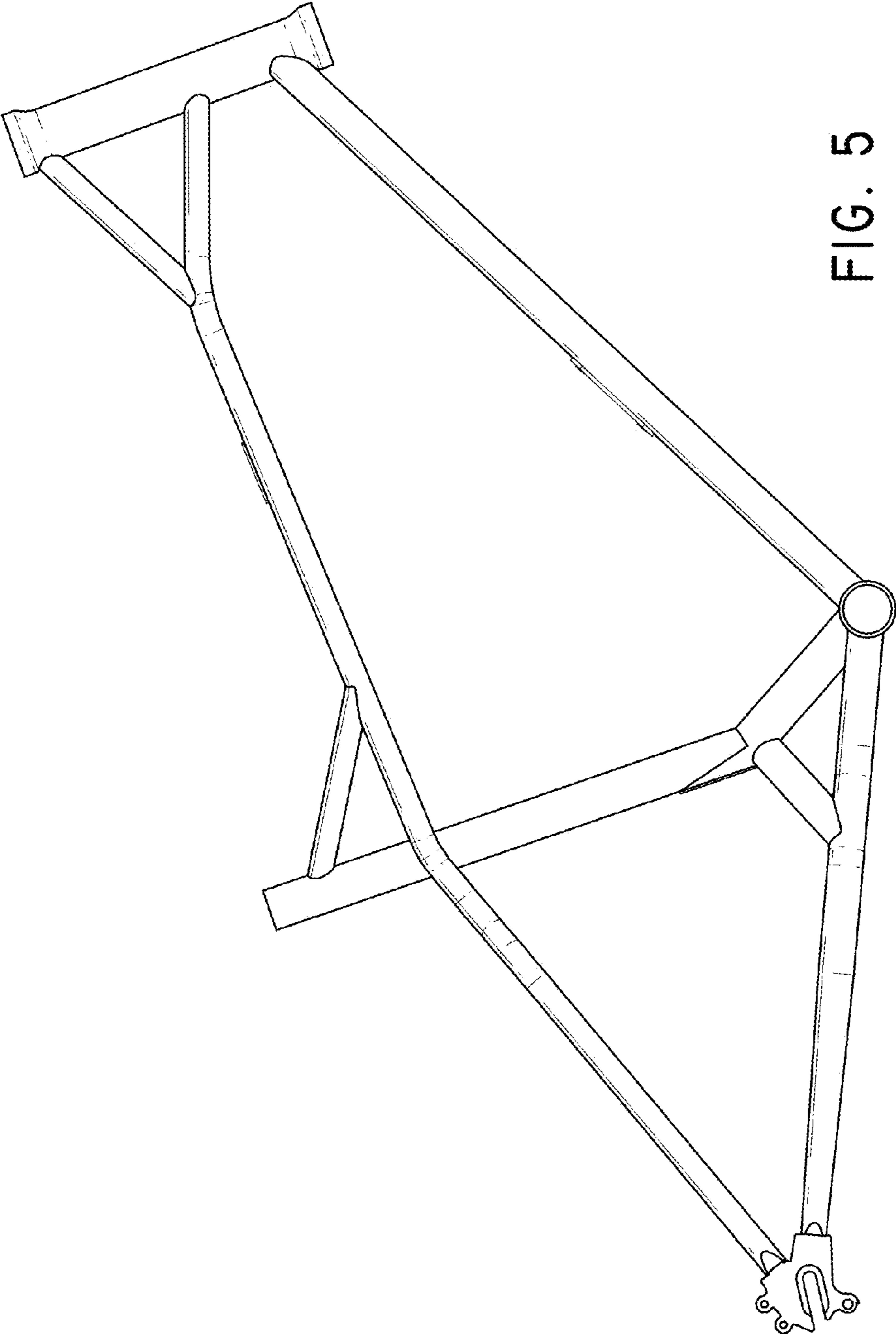


FIG. 5

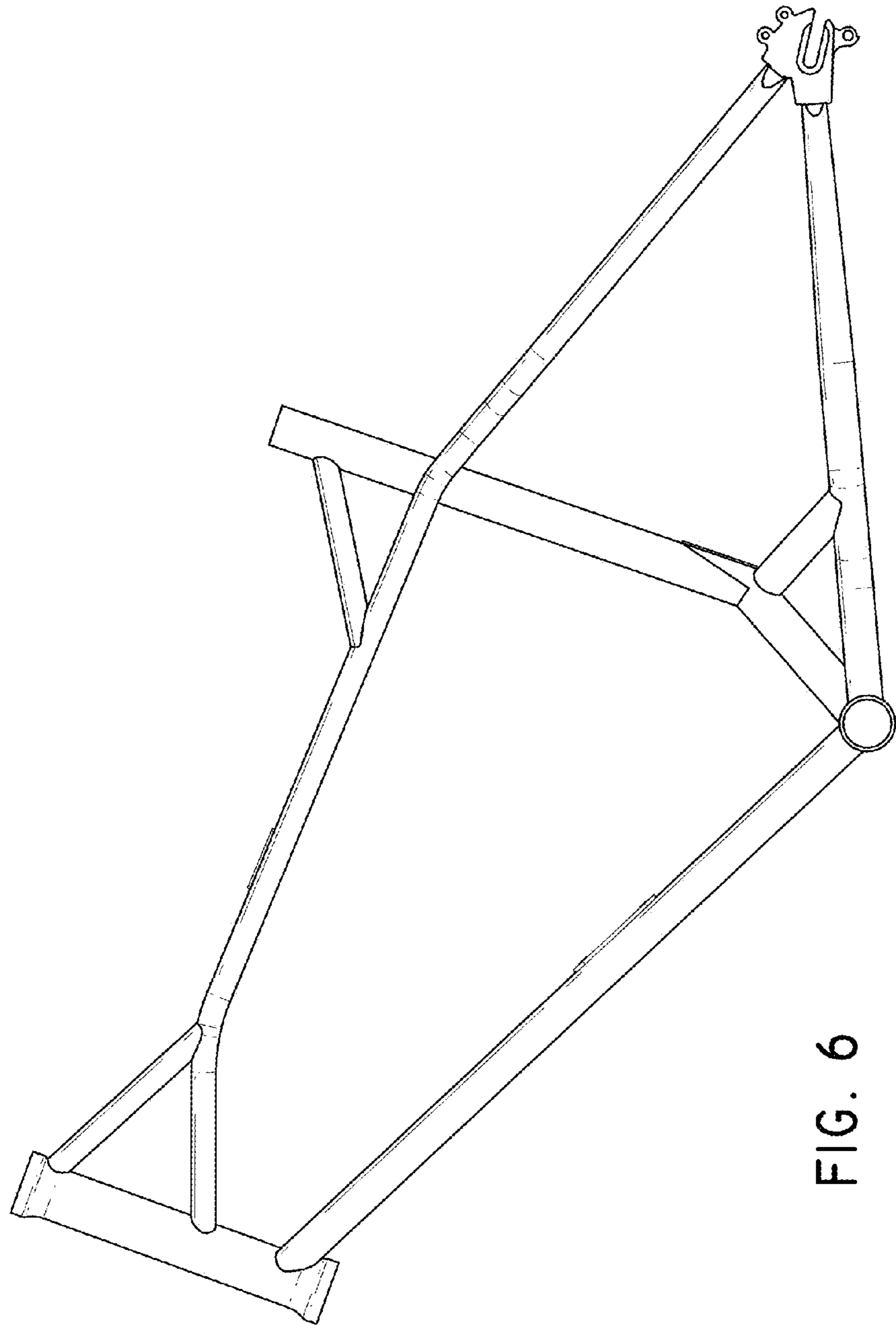


FIG. 6

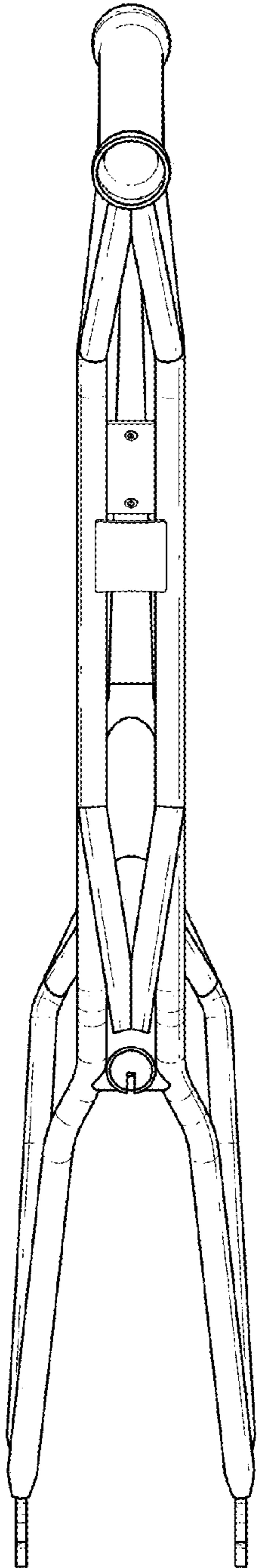


FIG. 7

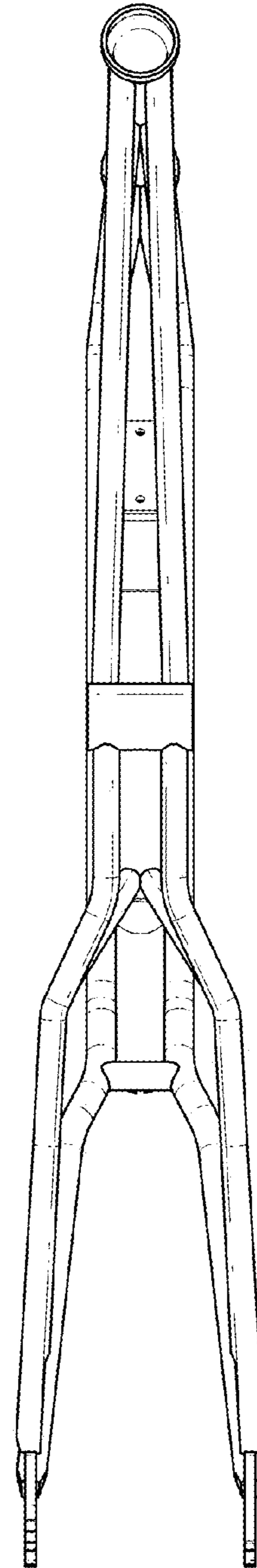


FIG. 8