



US00D722280S

(12) **United States Design Patent**
Van der Starre

(10) **Patent No.:** **US D722,280 S**

(45) **Date of Patent:** **** Feb. 10, 2015**

(54) **PLANT POT**

(71) Applicant: **Patentstar B.V.**, Boskoop (NL)

(72) Inventor: **Huibert Van der Starre**, Waddinxveen (NL)

(73) Assignee: **Patentstar B.V.**, Boskoop (NL)

(**) Term: **14 Years**

(21) Appl. No.: **29/457,012**

(22) Filed: **Jun. 6, 2013**

(30) **Foreign Application Priority Data**

Dec. 7, 2012 (EM) 002149328-0001

(51) **LOC (10) Cl.** **11-02**

(52) **U.S. Cl.**
USPC **D11/143; D11/152**

(58) **Field of Classification Search**
CPC A01G 27/04; A01G 27/06; A01G 9/02;
A01G 27/005; A01G 27/00
USPC D8/1; D7/317, 318, 319, 603; D6/556;
D11/146, 149, 153, 164; 47/66.5, 66.7,
47/79, 81; D34/1; D19/77, 81
See application file for complete search history.

(56) **References Cited**

U.S. PATENT DOCUMENTS

D250,869 S * 1/1979 Boelter D7/319
4,250,665 A 2/1981 English et al.
4,339,891 A 7/1982 Bassett
4,741,125 A 5/1988 Demorest
4,999,947 A 3/1991 Whitaker
5,022,183 A 6/1991 Bohlmann
5,081,790 A 1/1992 Hinton
D419,386 S * 1/2000 Bouleuc D7/603
D420,185 S * 2/2000 Hampshire D34/1
D477,791 S * 7/2003 Wells D11/146
D478,530 S * 8/2003 Sachuk D11/143

D521,202 S * 5/2006 Lin D34/1
D621,223 S * 8/2010 Bas D7/603
D625,947 S * 10/2010 Olson et al. D7/319
D632,996 S * 2/2011 Correia D11/143

(Continued)

FOREIGN PATENT DOCUMENTS

CH 342027 12/1959
CH 610716 5/1979

(Continued)

Primary Examiner — Barbara Fox

Assistant Examiner — Chelsea Sealey

(74) *Attorney, Agent, or Firm* — Steven M. Koehler;
Westman, Champlin & Koehler, P.A.

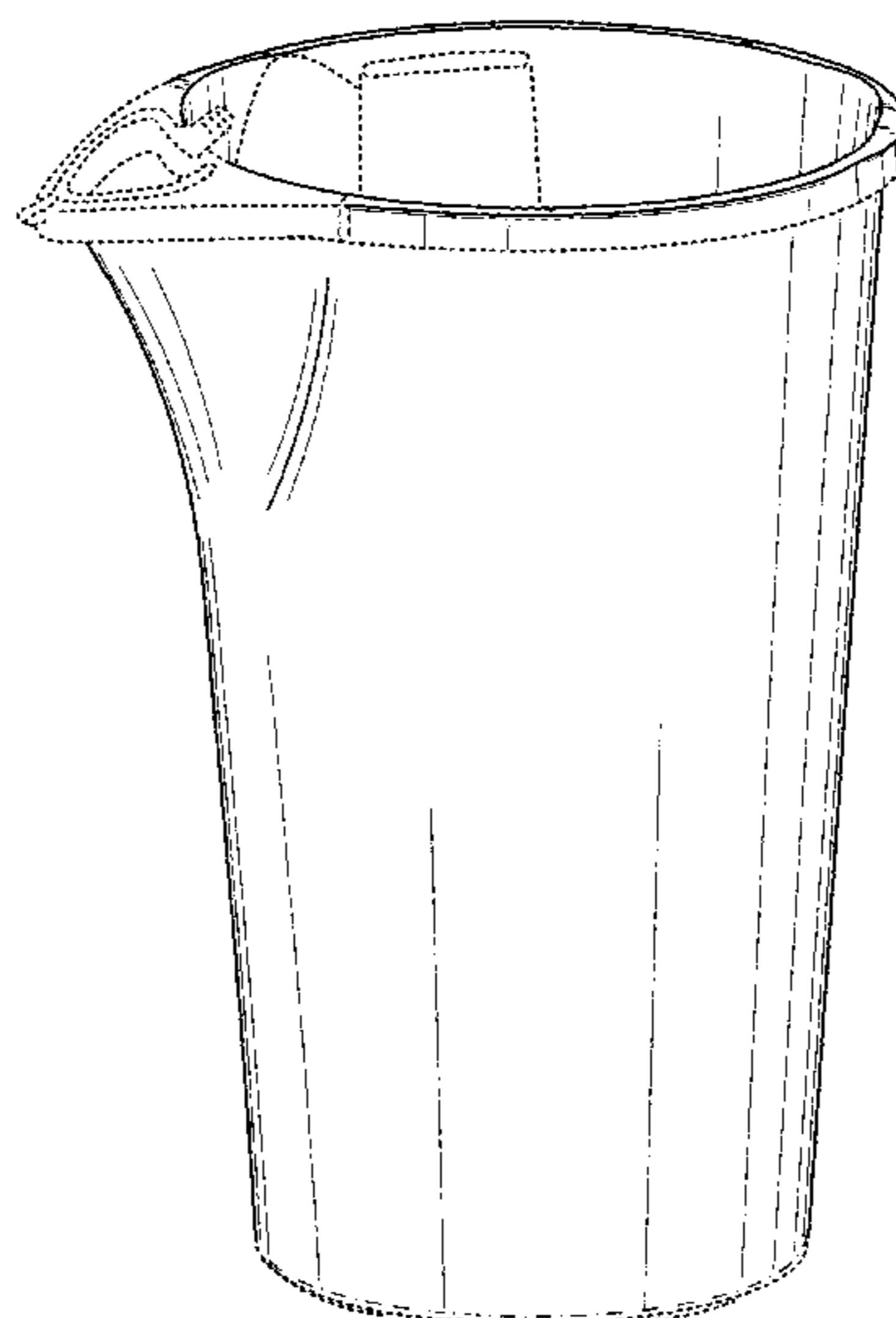
(57) **CLAIM**

The ornamental design for a plant pot, as shown and described.

DESCRIPTION

FIG. 1 is a perspective view of the plant pot showing my new design;
FIG. 2 is a right side view thereof; the left side view is a mirror image of the right side view thereof;
FIG. 3 is a front elevation view thereof;
FIG. 4 is a sectional view taken in the direction of lines 4-4 of FIG. 2;
FIG. 5 is an enlarged detail view of a portion of FIG. 4 thereof;
FIG. 6 is a rear elevation view thereof;
FIG. 7 is a top plan view thereof; and,
FIG. 8 is a bottom plan view thereof.
The evenly segmented broken lines indicate portions of the plant pot that form no part of the claimed design.
The dot-dash lines on figures define the claim boundaries of the plant pot.
The dot-dash call-out in FIGS. 4 and 5 indicate the portion of the design that is shown on an enlarged scale in FIG. 5.

1 Claim, 7 Drawing Sheets



(56)

References Cited

U.S. PATENT DOCUMENTS

D643,173 S * 8/2011 Quan et al. D34/1
 D644,388 S * 8/2011 Quan D34/1
 D679,536 S * 4/2013 Muspratt-Williams
 et al. D7/319
 2007/0209279 A1 9/2007 Pasquariello
 2009/0064576 A1 3/2009 Sugarek
 2009/0223124 A1 9/2009 Pasquariello et al.

FOREIGN PATENT DOCUMENTS

CN 201726722 2/2011
 DE 103433 6/1899
 DE 2409714 9/1975

DE	2426582	12/1975
DE	8613696	5/1987
DE	19961263	6/2001
EP	0688497	12/1995
EP	1900275	3/2008
EP	1958500	8/2008
FR	2814639	4/2002
GB	180967	6/1922
GB	2440708	2/2008
GB	2444141	5/2008
JP	11285315	10/1999
WO	2004095905	11/2004
WO	2009030019	3/2009
WO	2009109761	9/2009
WO	2010101457	9/2010

* cited by examiner

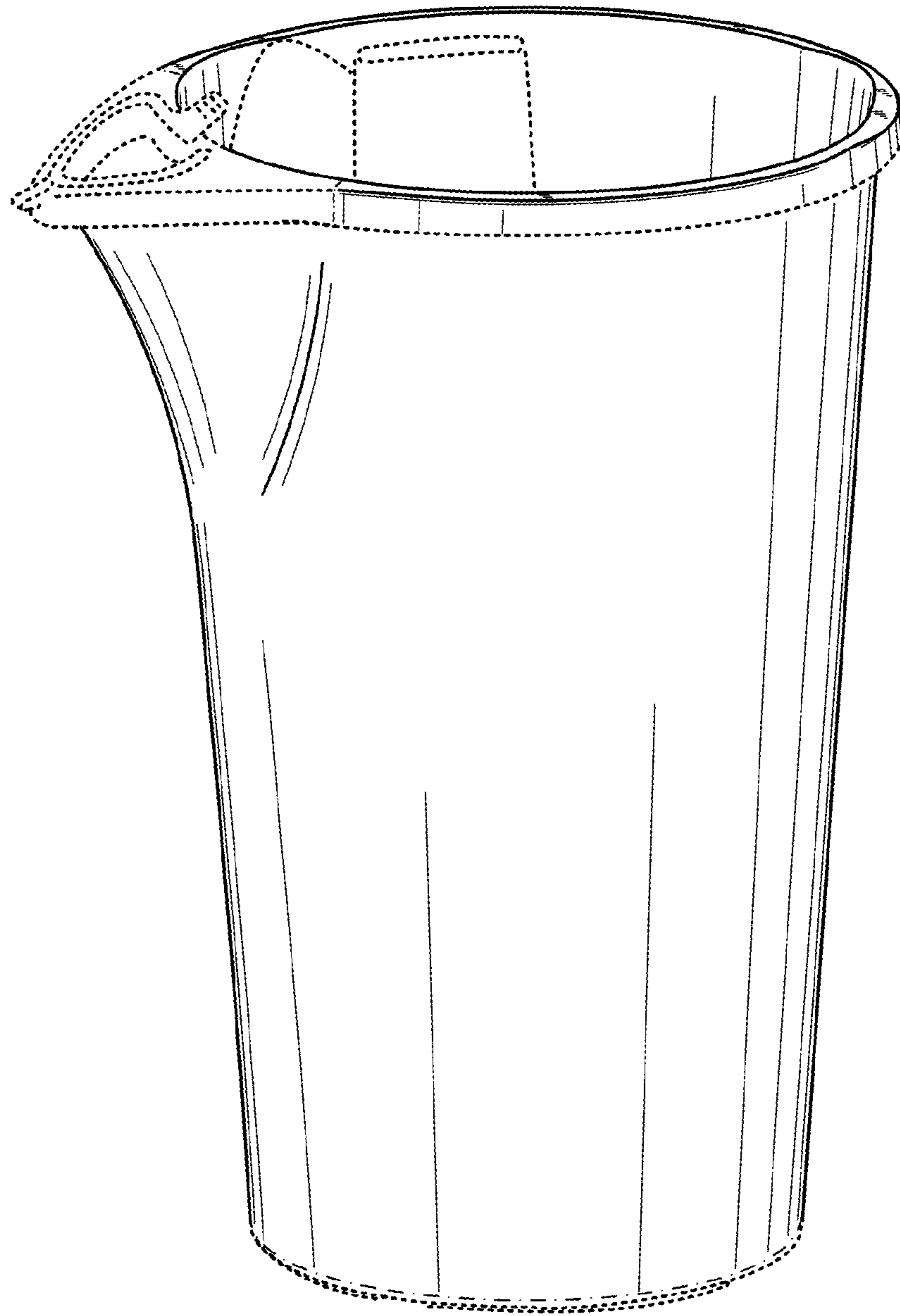


FIG. 1



FIG. 2

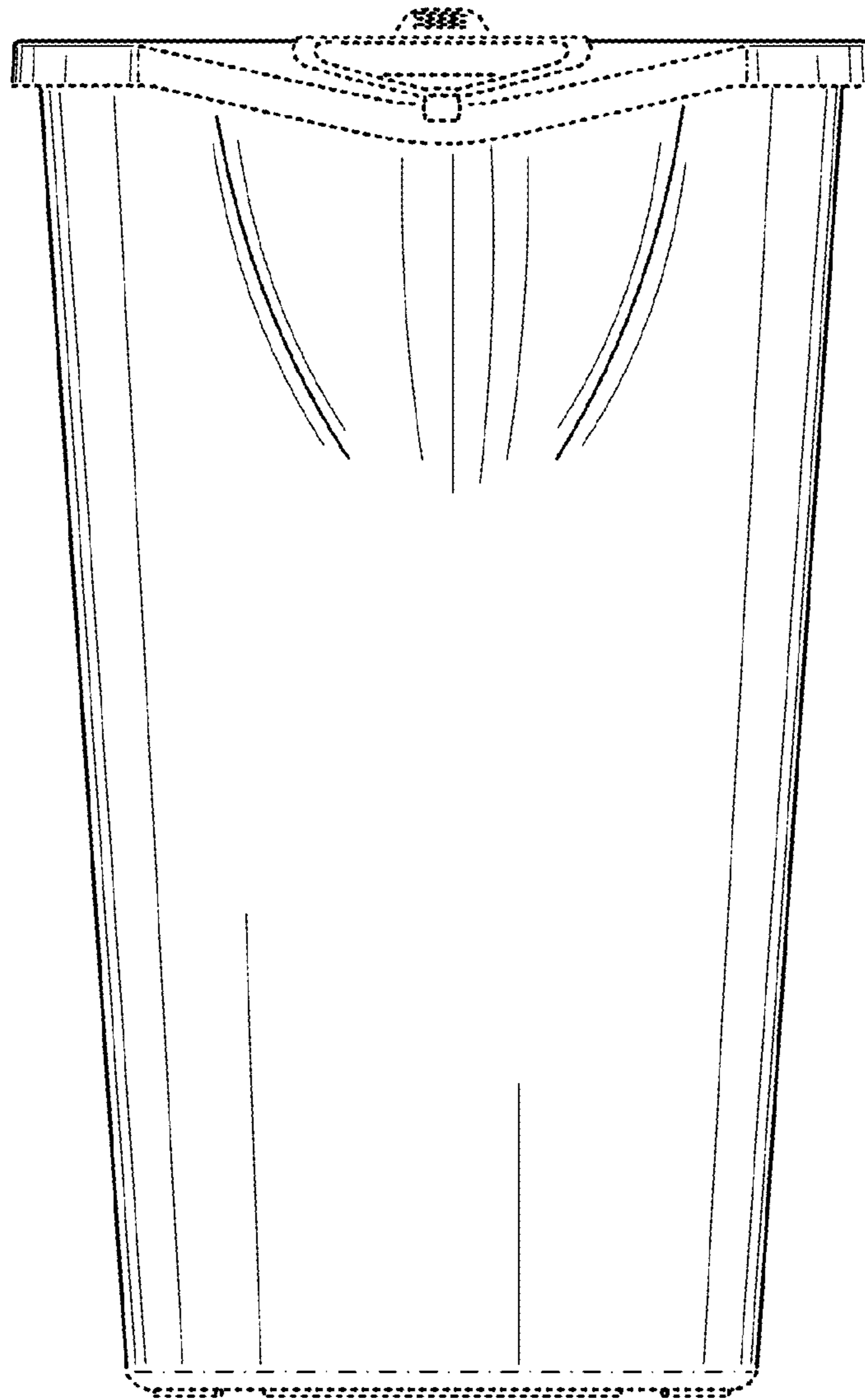


FIG. 3

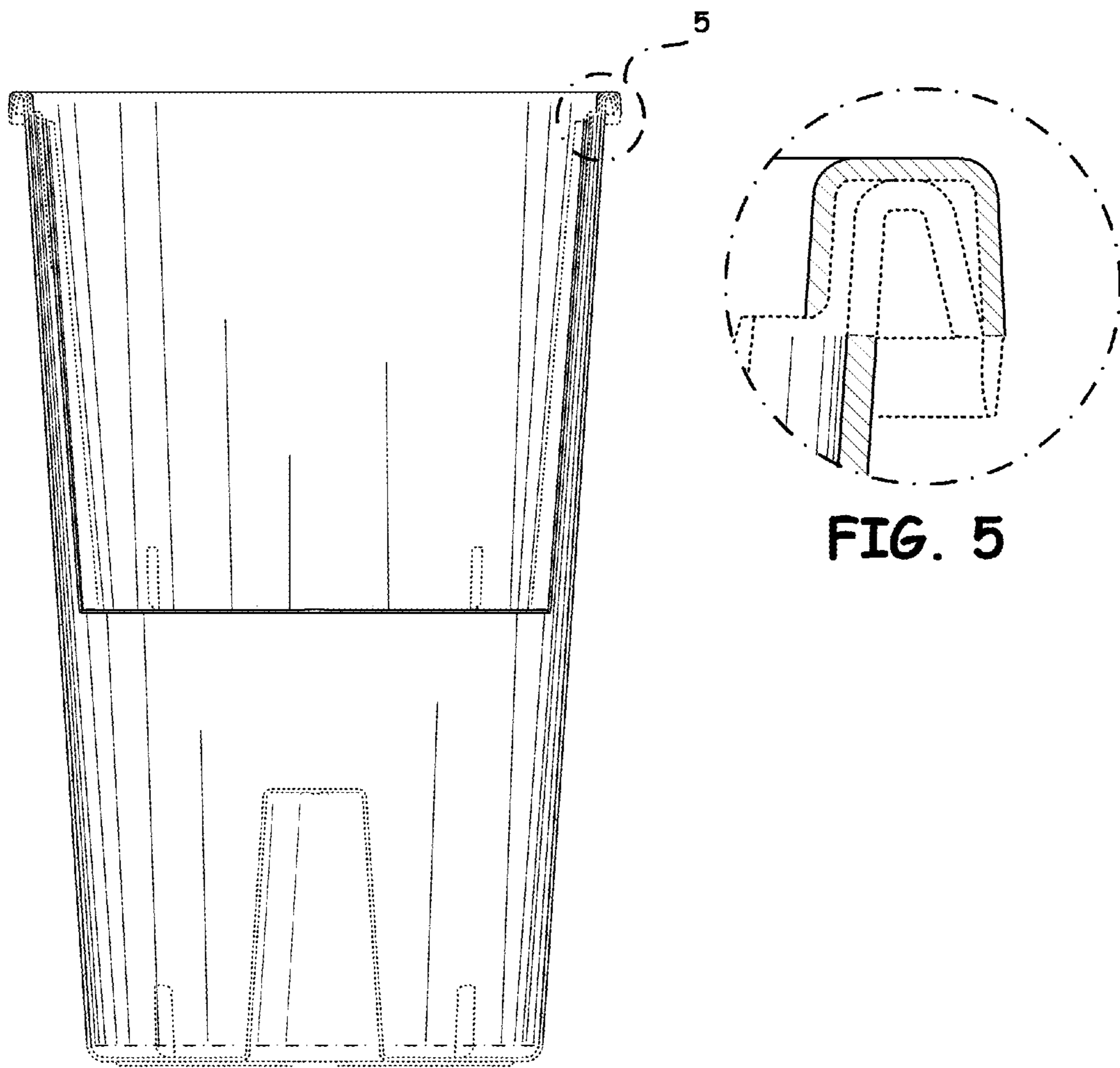


FIG. 4

FIG. 5

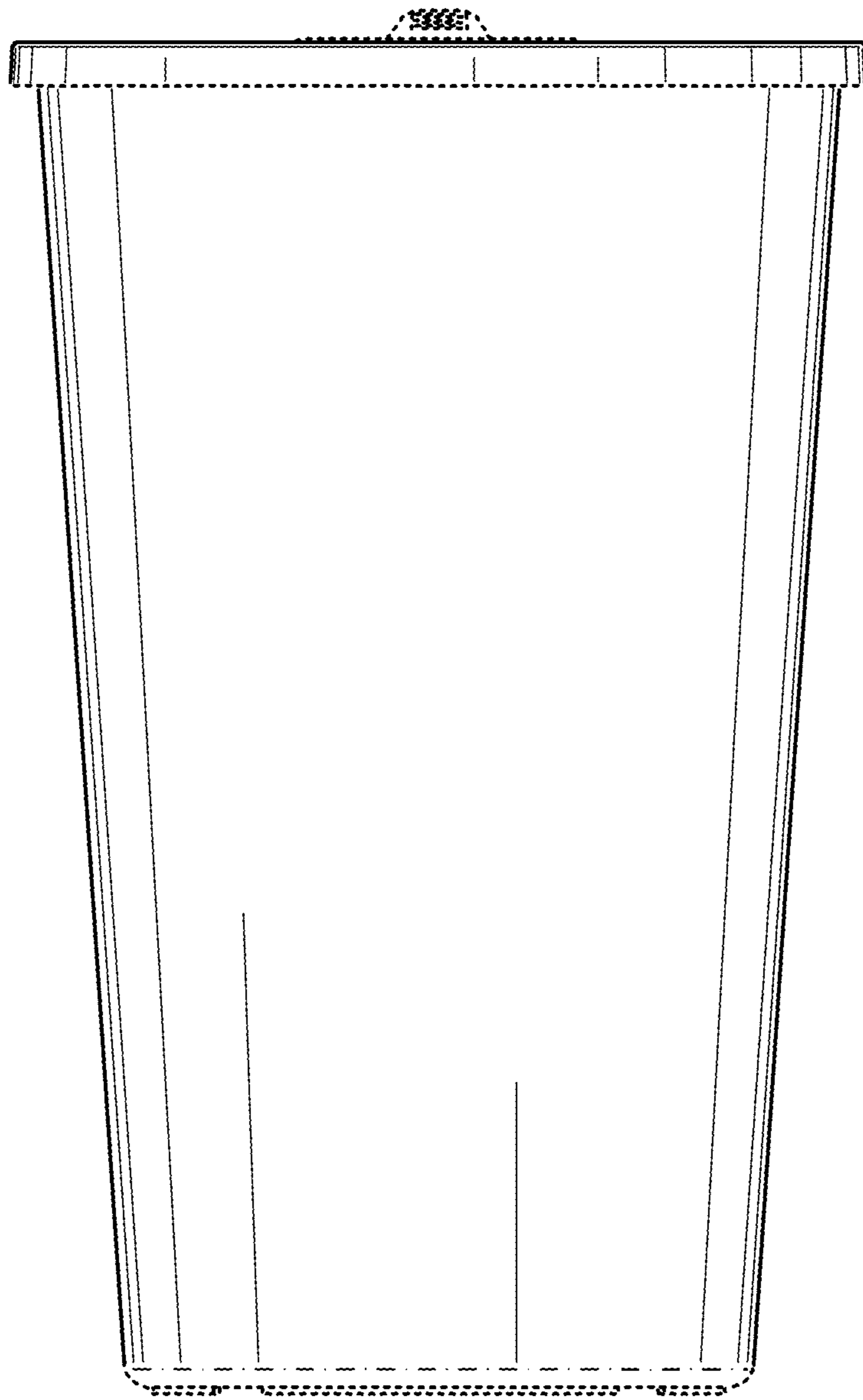


FIG. 6

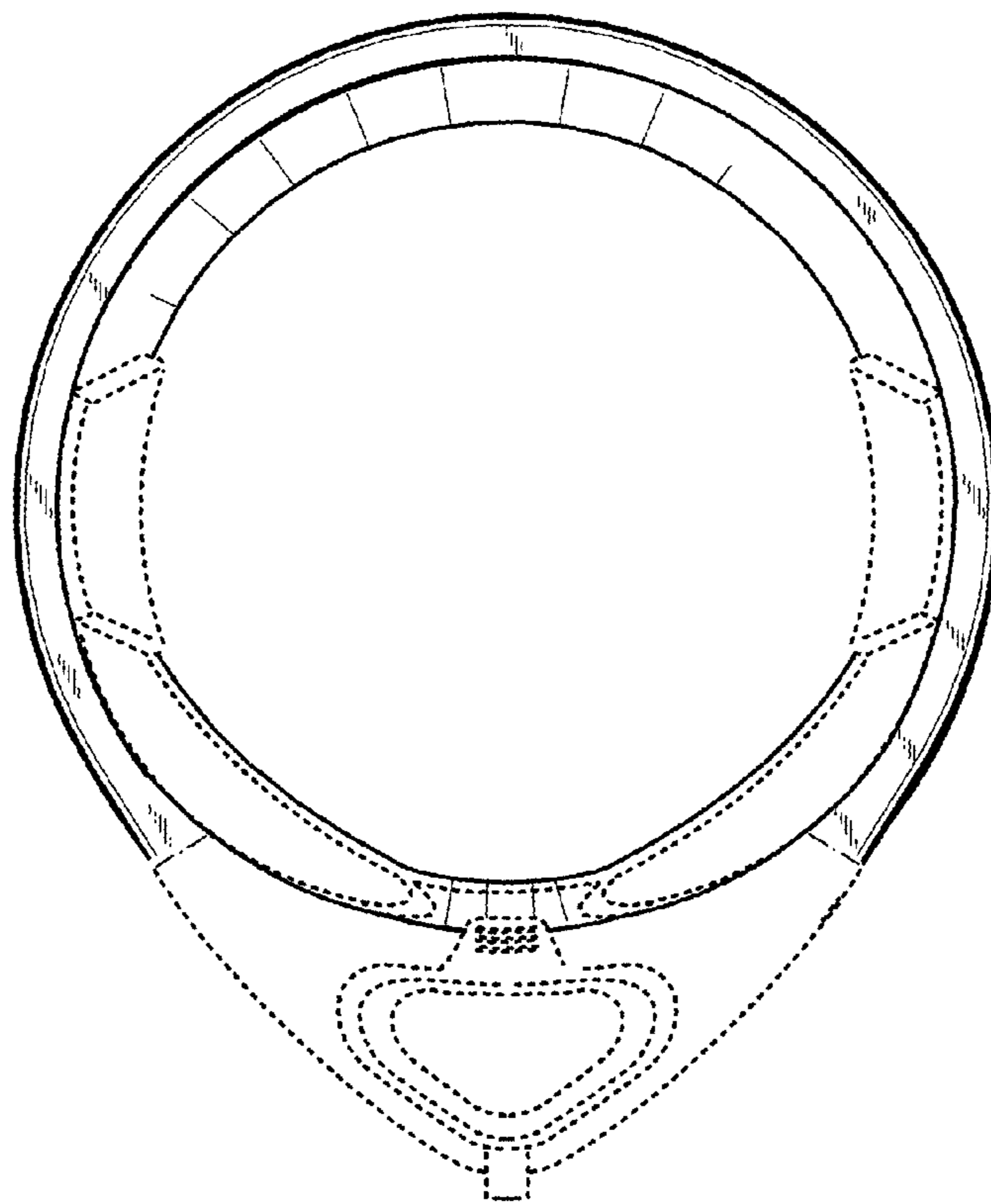


FIG. 7

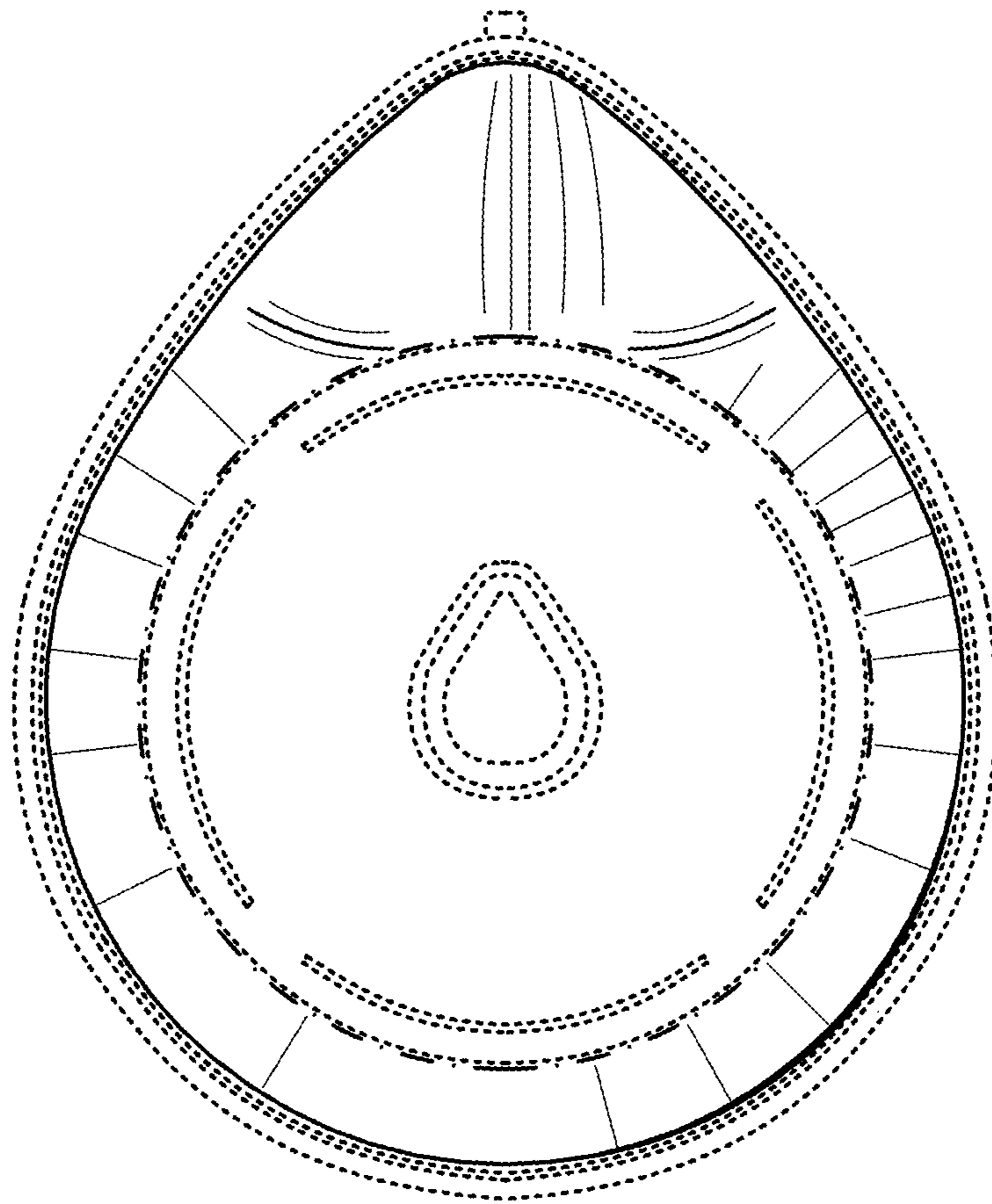


FIG. 8