



US00D722276S

(12) **United States Design Patent**
Lin et al.

(10) **Patent No.:** **US D722,276 S**
(45) **Date of Patent:** **** Feb. 10, 2015**

(54) **PRESSURE SENSOR**

(56) **References Cited**

(71) Applicant: **Transducers Direct LLC**, Cincinnati, OH (US)
(72) Inventors: **Rongjau Lin**, West Chester, OH (US);
Robert W Matthes, Loveland, OH (US);
David Allen Topmiller, Edgewood, KY (US)

U.S. PATENT DOCUMENTS

D333,993 S	3/1993	Chauvette	
D366,845 S	2/1996	Handfield et al.	
D441,673 S	5/2001	Shimomoto et al.	
D470,428 S	2/2003	Kryskowski et al.	
D551,105 S	9/2007	Brasse et al.	
7,389,695 B2 *	6/2008	Skwara	73/708
D692,336 S	10/2013	Lin et al.	

* cited by examiner

(73) Assignee: **Transducers Direct LLC**, Cincinnati, OH (US)

Primary Examiner — Antoine D Davis
(74) *Attorney, Agent, or Firm* — David A. Topmiller, Esq.

(**) Term: **14 Years**

(57) **CLAIM**
The ornamental design for a pressure sensor, as shown.

(21) Appl. No.: **29/478,068**

DESCRIPTION

(22) Filed: **Dec. 31, 2013**

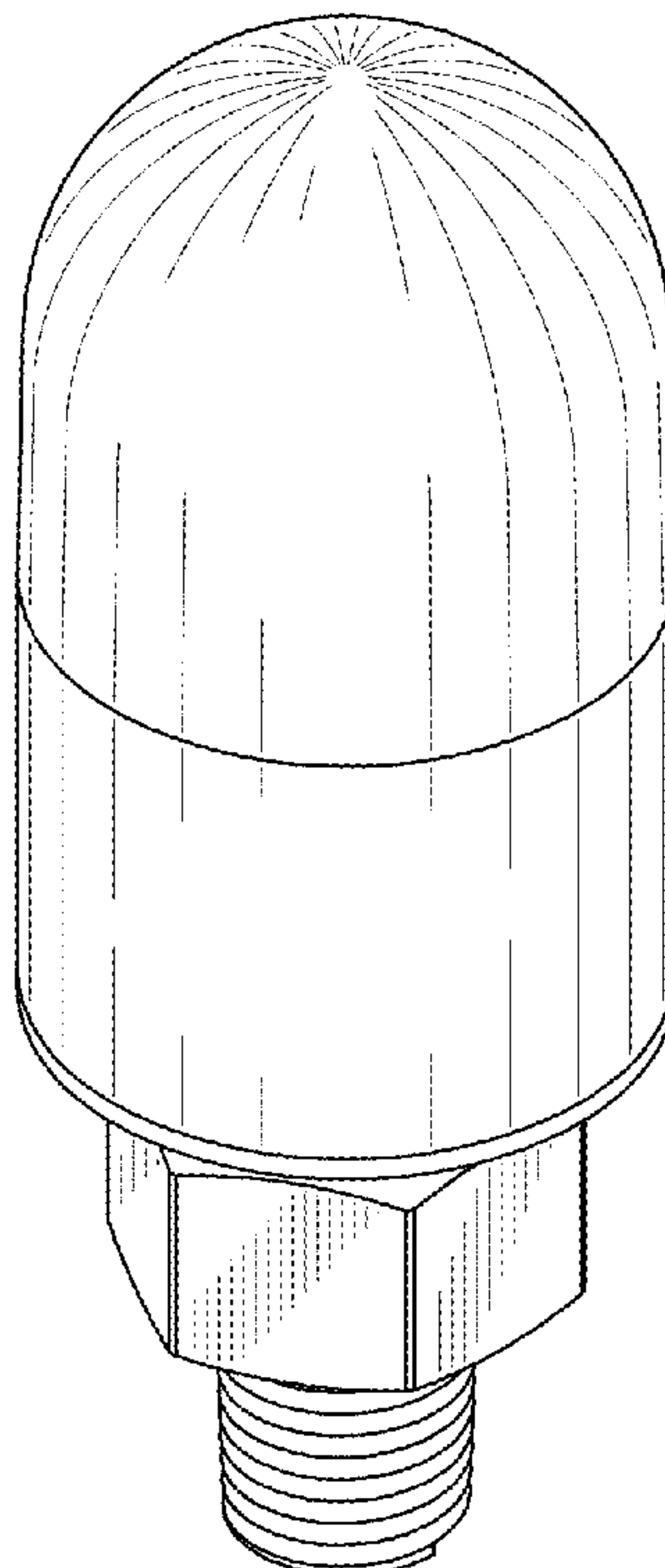
FIG. 1 is a perspective view of a pressure sensor in accordance with the new design;
FIG. 2 is a front elevational view of the pressure sensor of FIG. 1; FIG. 2 is also a rear elevational view of the pressure sensor of FIG. 1, as the front elevational view and rear elevational view are identical;
FIG. 3 is a side elevational view of the pressure sensor of FIG. 1; both the view from the right elevational side and the view from the left elevational side are identical;
FIG. 4 is a top plan view of the pressure sensor of FIG. 1; and,
FIG. 5 is a bottom plan view of the pressure sensor of FIG. 1.

(51) **LOC (10) Cl.** **10-04**

(52) **U.S. Cl.**
USPC **D10/85**

(58) **Field of Classification Search**
CPC G01L 19/00–19/16; G01L 27/00–27/02
USPC D10/85
See application file for complete search history.

1 Claim, 3 Drawing Sheets



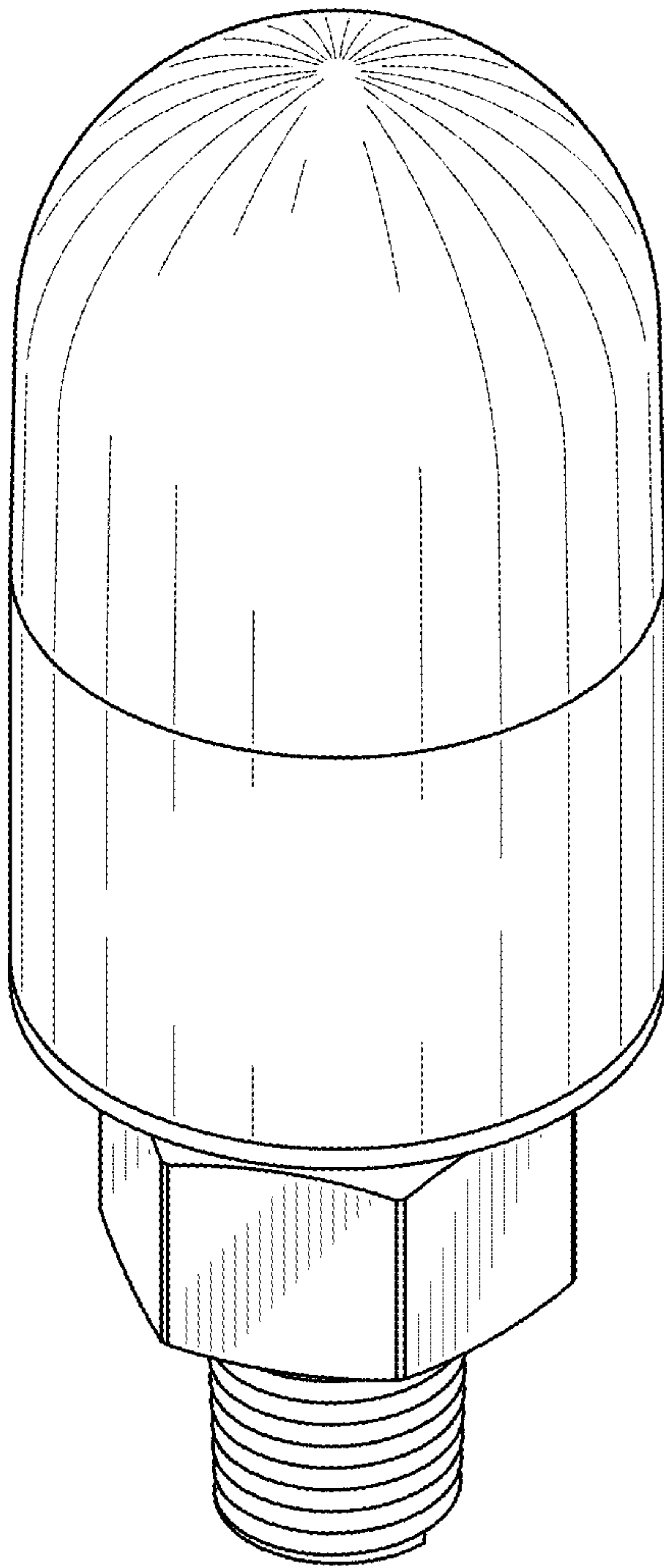


FIG. 1

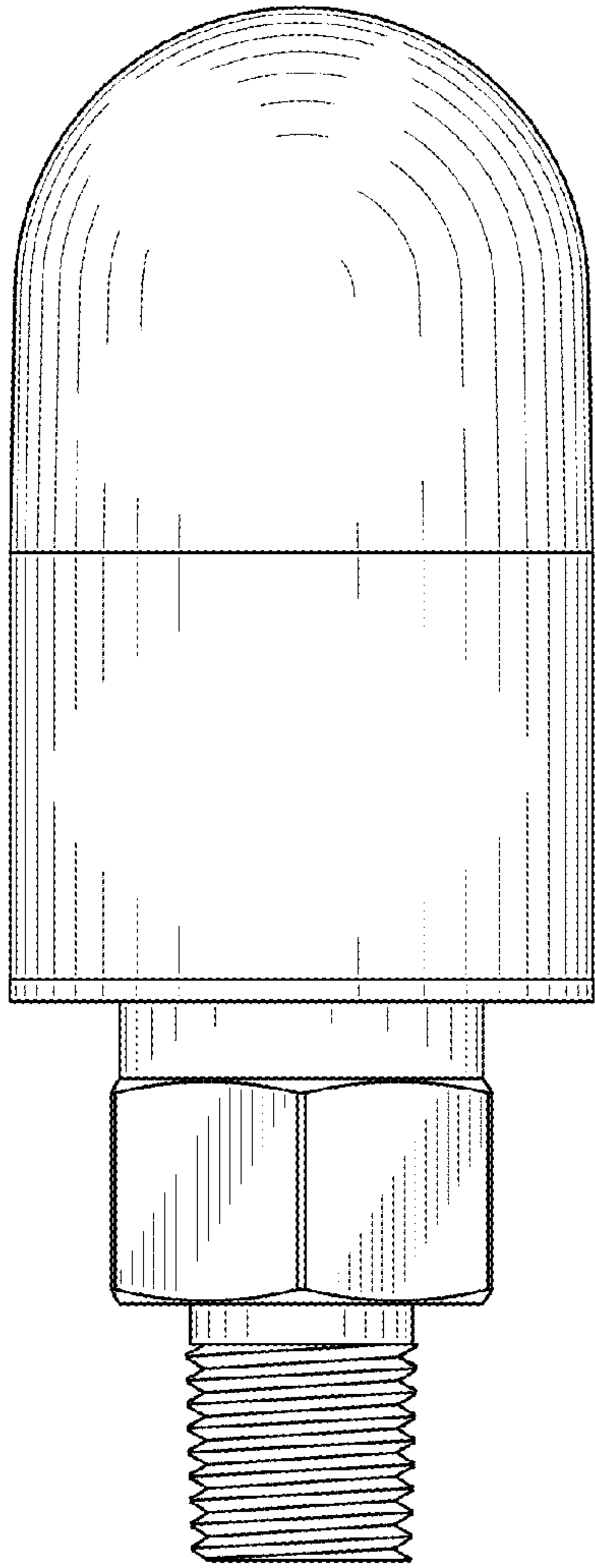


FIG. 2

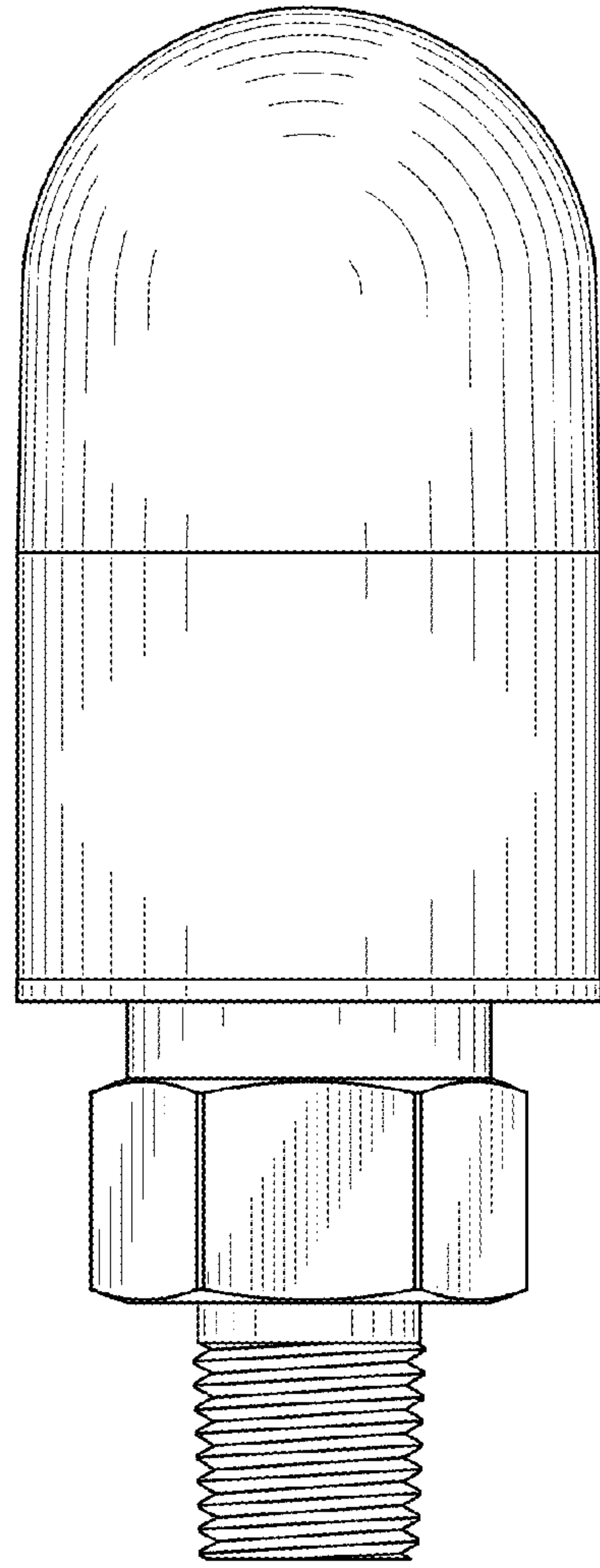


FIG. 3

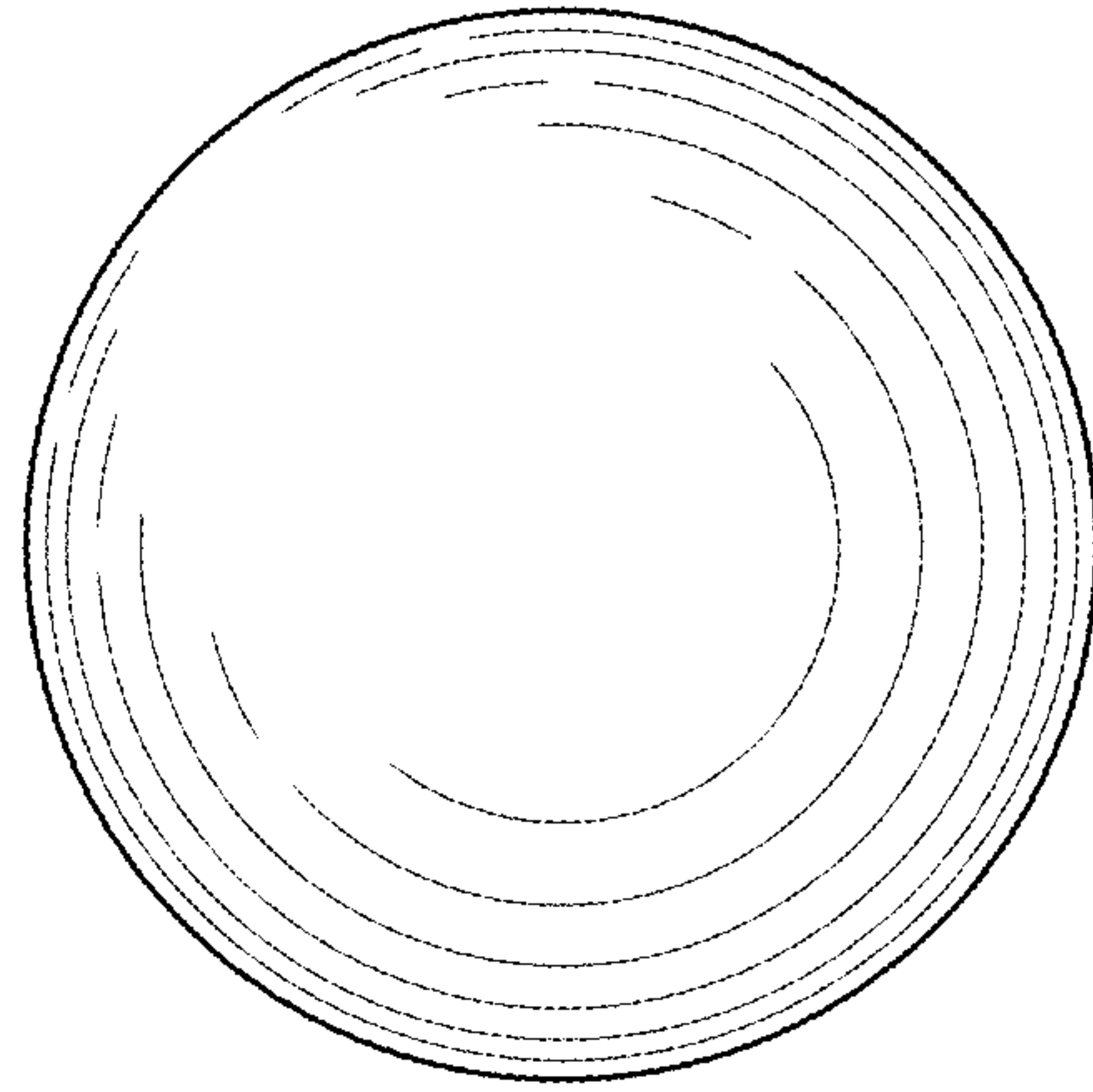


FIG. 4

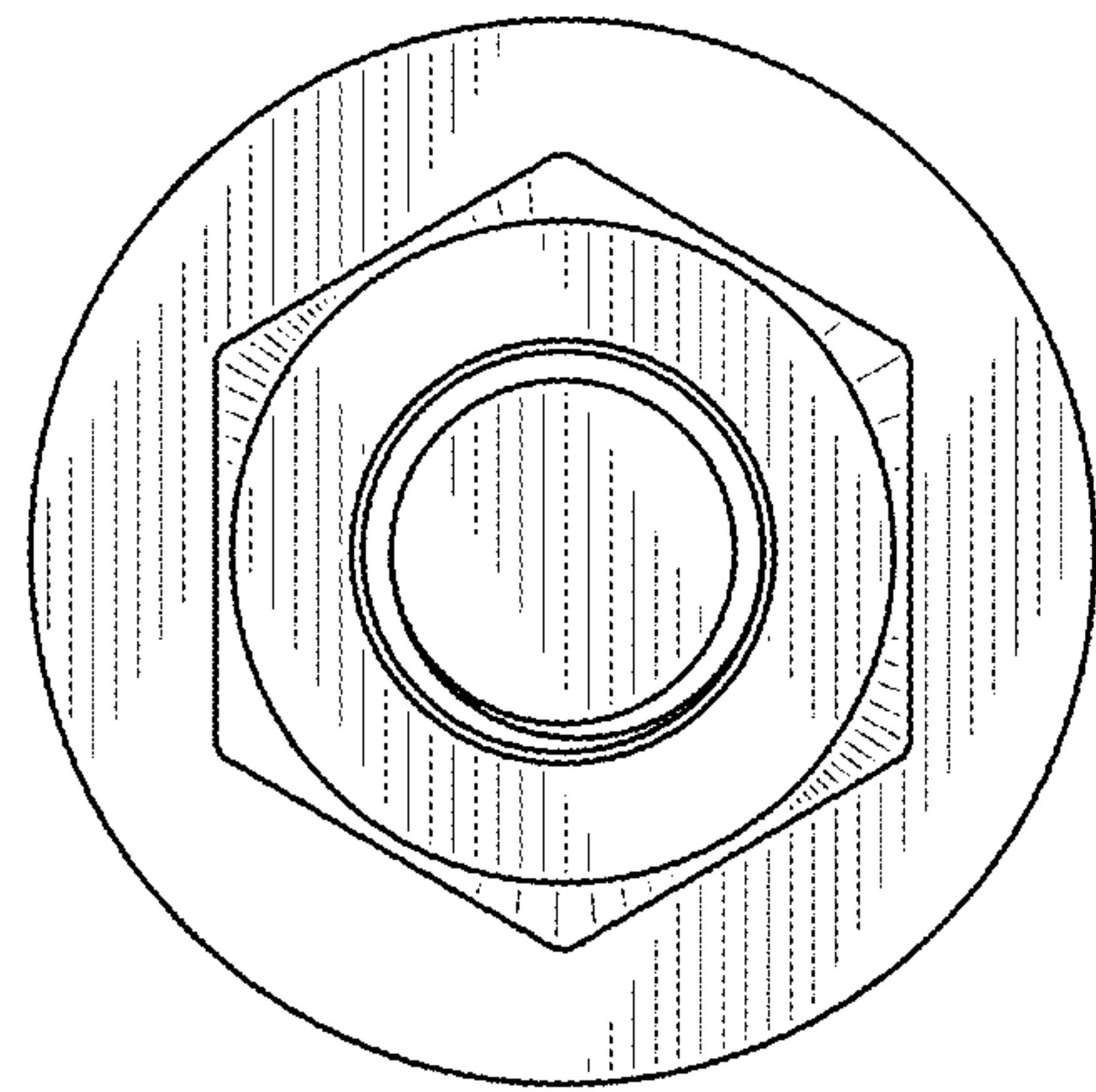


FIG. 5