



US00D722275S

(12) **United States Design Patent**
Lee

(10) **Patent No.:** **US D722,275 S**
(45) **Date of Patent:** **** Feb. 10, 2015**

(54) **FOIL PACKAGE FOR CONDOM**

(71) Applicant: **Line One Laboratories Inc. (USA)**,
Chatsworth, CA (US)

(72) Inventor: **Budiman Lee**, Chatsworth, CA (US)

(73) Assignee: **Line One Laboratories Inc. (USA)**,
Chatsworth, CA (US)

(**) Term: **14 Years**

(21) Appl. No.: **29/472,192**

(22) Filed: **Nov. 8, 2013**

(51) **LOC (10) Cl.** **09-05**

(52) **U.S. Cl.**
USPC **D9/703**

(58) **Field of Classification Search**

USPC D9/702-714, 695-699, 720-722, 414,
D9/424, 426, 416, 428; 206/484, 438;
222/143, 92, 107; 383/127, 37, 38,
383/103, 107, 113, 61.1, 9, 15-16, 906;
68/17 R, 12.18, 207; D27/183, 185;
D24/115, 224, 118; 604/231, 217;
229/72, 200, 87.06, 87.08, 87.05;
D28/8.1; D7/601, 605, 608, 611

See application file for complete search history.

(56) **References Cited**

U.S. PATENT DOCUMENTS

118,989 A	9/1871	Twhjtcmg
269,374 A	12/1882	Ballaed
298,199 A	5/1884	Hawkins
354,017 A	12/1886	Helm
368,026 A	8/1887	Spelman
453,681 A	6/1891	Wagner
2,390,900 A	12/1945	Schmid
3,282,414 A	11/1966	Penksa
4,289,232 A	9/1981	Seibel
4,875,491 A	10/1989	Parrone

(Continued)

FOREIGN PATENT DOCUMENTS

DE 19610791 A1 10/1996

OTHER PUBLICATIONS

Gold Circle Round Condom Container Not Tin Full Exc. www.worthpoint.com. Publication date unknown. <<http://www.worthpoint.com/worthopedia/gold-circle-round-condom-container-153274949>>.

Primary Examiner — Caron D Veynar

Assistant Examiner — Abraham Bahta

(74) *Attorney, Agent, or Firm* — Danton K. Mak

(57) **CLAIM**

The ornamental design of the foil package for condom, as shown and described.

DESCRIPTION

FIG. 1 is a perspective view of the foil package for condom of the present invention;

FIG. 2 is a front side view of the package of FIG. 1, the rear side, left side and right side views being identical thereto;

FIG. 3 is a top plan view of the package of FIG. 1, the bottom plan view being identical thereto;

FIG. 4 is an alternate front side view of the package of FIG. 1, showing the peripheral lip portion of the package partially deformed;

FIG. 5 is a perspective view of an alternate embodiment of the foil package for condom of the present invention;

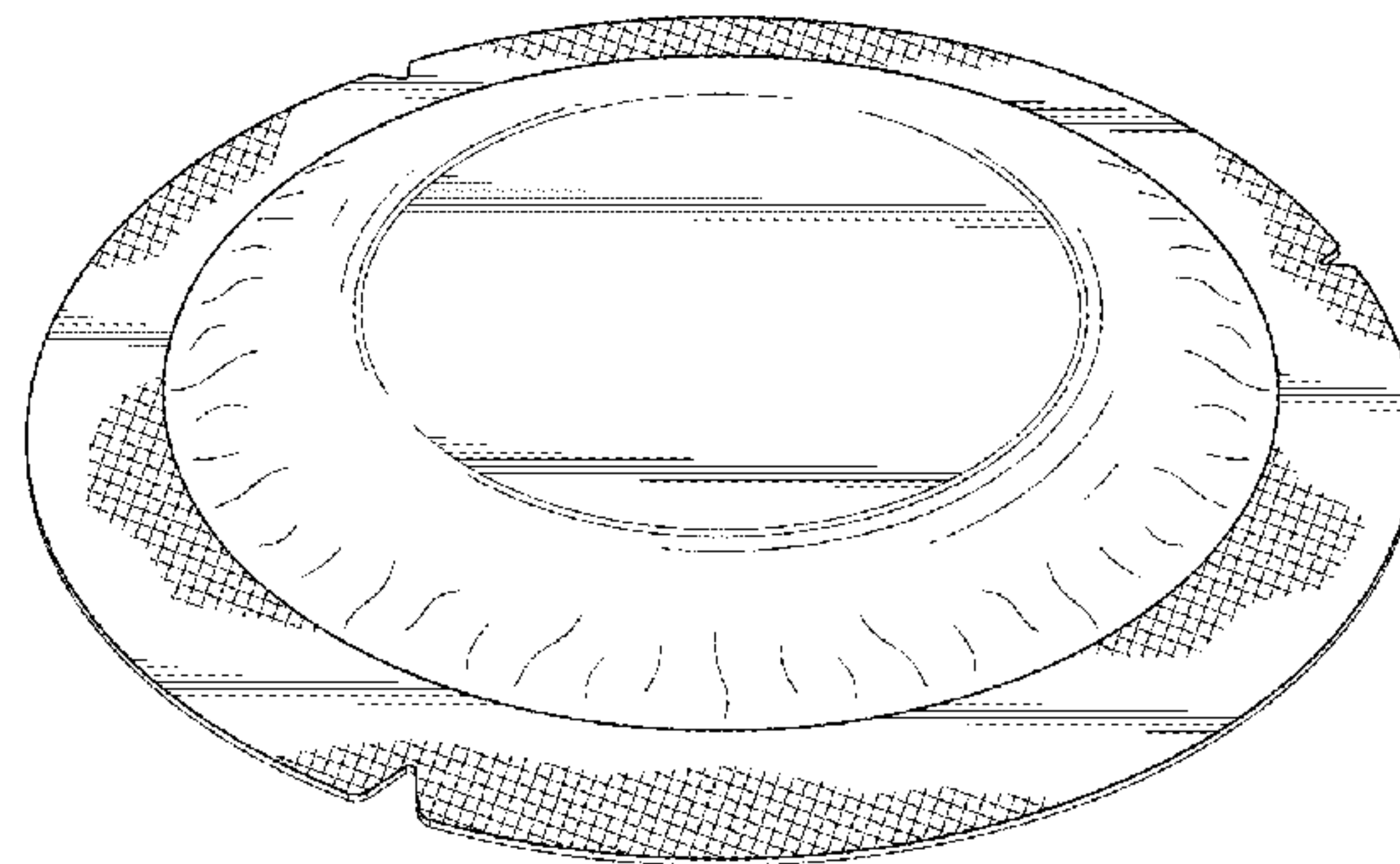
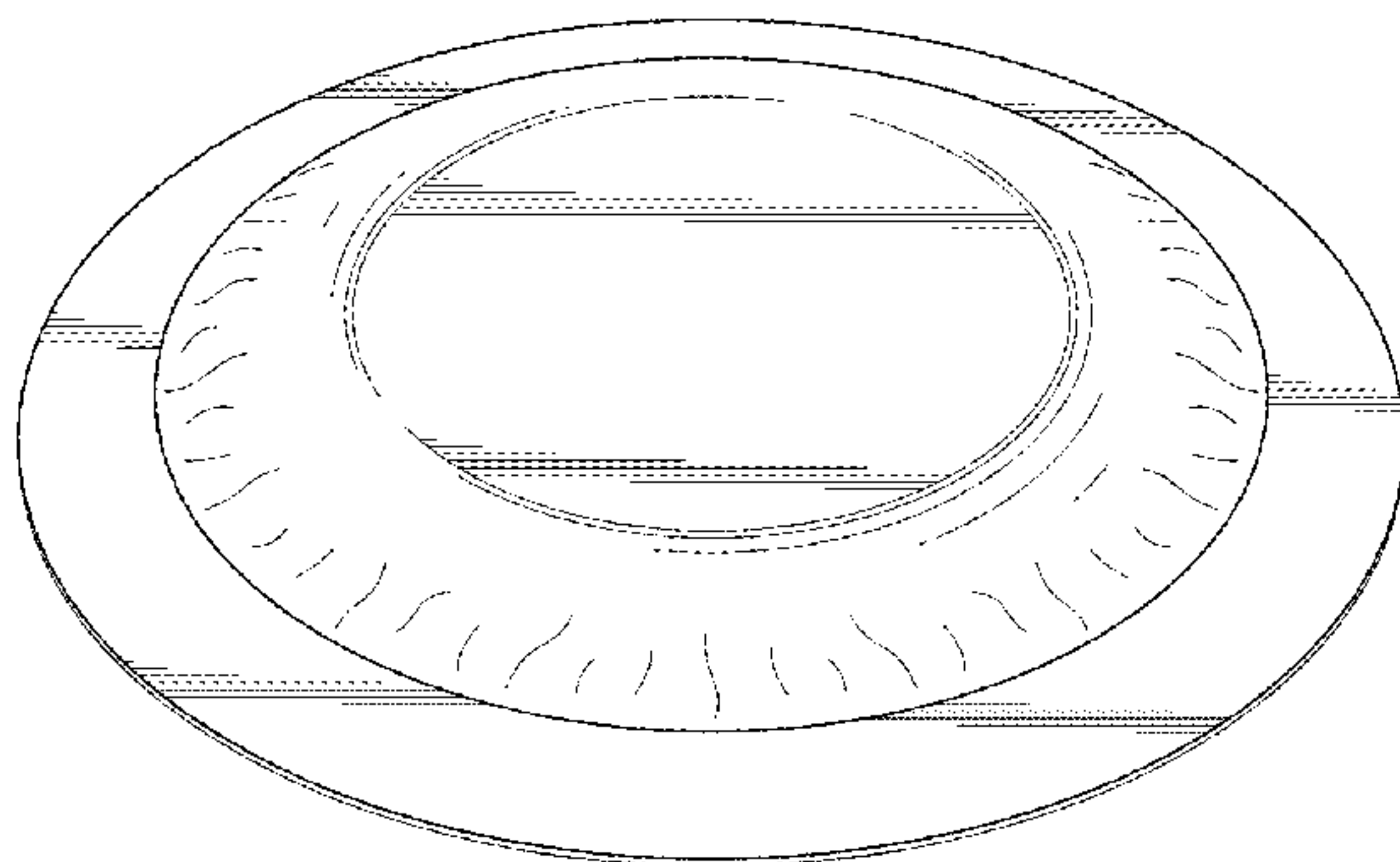
FIG. 6 is a front side view of the package of FIG. 5;

FIG. 7 is a rear side view of the package of FIG. 5;

FIG. 8 is a left side view of the package of FIG. 5, the right side view being a mirror image thereof; and,

FIG. 9 is a bottom plan view of the package of FIG. 5, the top plan view being a mirror image thereof.

1 Claim, 4 Drawing Sheets



(56)

References Cited

U.S. PATENT DOCUMENTS

5,666,972 A 9/1997 Gifford
D407,640 S * 4/1999 Nelson et al. D9/710
6,007,836 A 12/1999 Denzer
6,089,231 A 7/2000 Thompson
D445,674 S * 7/2001 Pritchett D9/707
D462,900 S * 9/2002 Yamada et al. D9/707
D469,350 S * 1/2003 Zettlemoyer et al. D9/428

6,718,983 B1 4/2004 Suzuki
D630,897 S * 1/2011 Jarvis et al. D7/407
D679,990 S * 4/2013 O'Brien et al. D9/428
D685,652 S * 7/2013 English et al. D9/732
D687,705 S * 8/2013 Krupa D9/428
8,646,451 B2 2/2014 Mistler
D705,051 S * 5/2014 Cassens et al. D9/429
2010/0078032 A1 4/2010 Sarros
2013/0092563 A1 4/2013 Wedel et al.

* cited by examiner

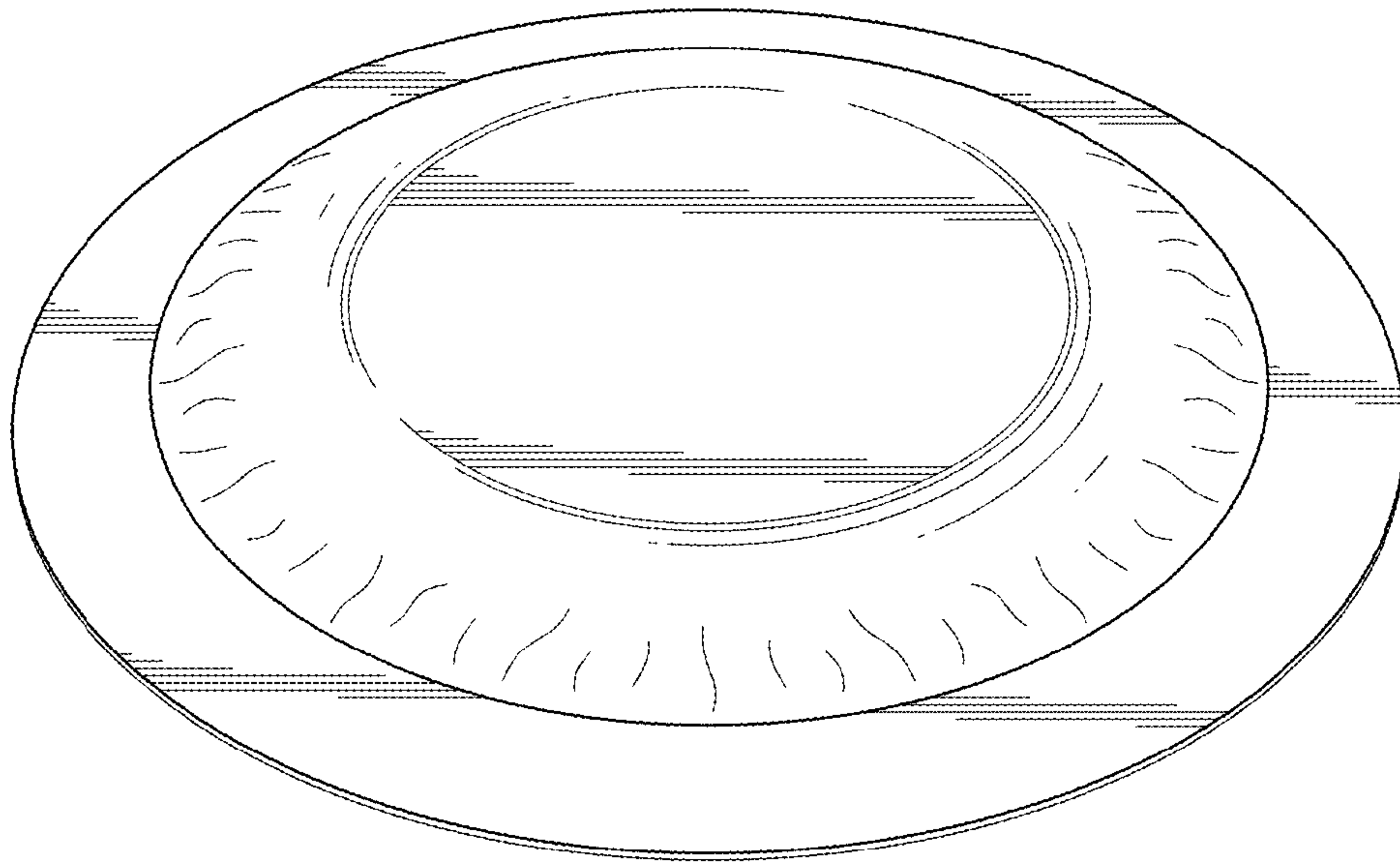


FIG. 1

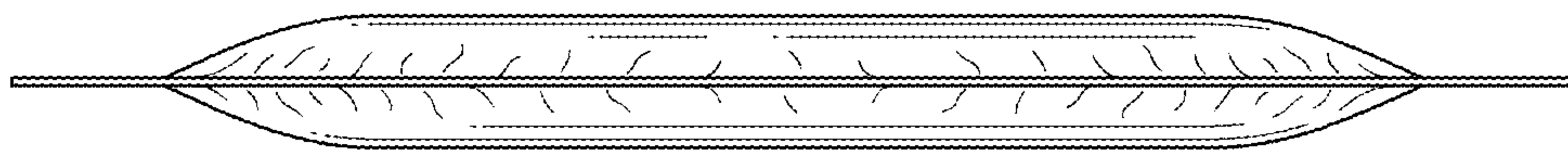


FIG. 2

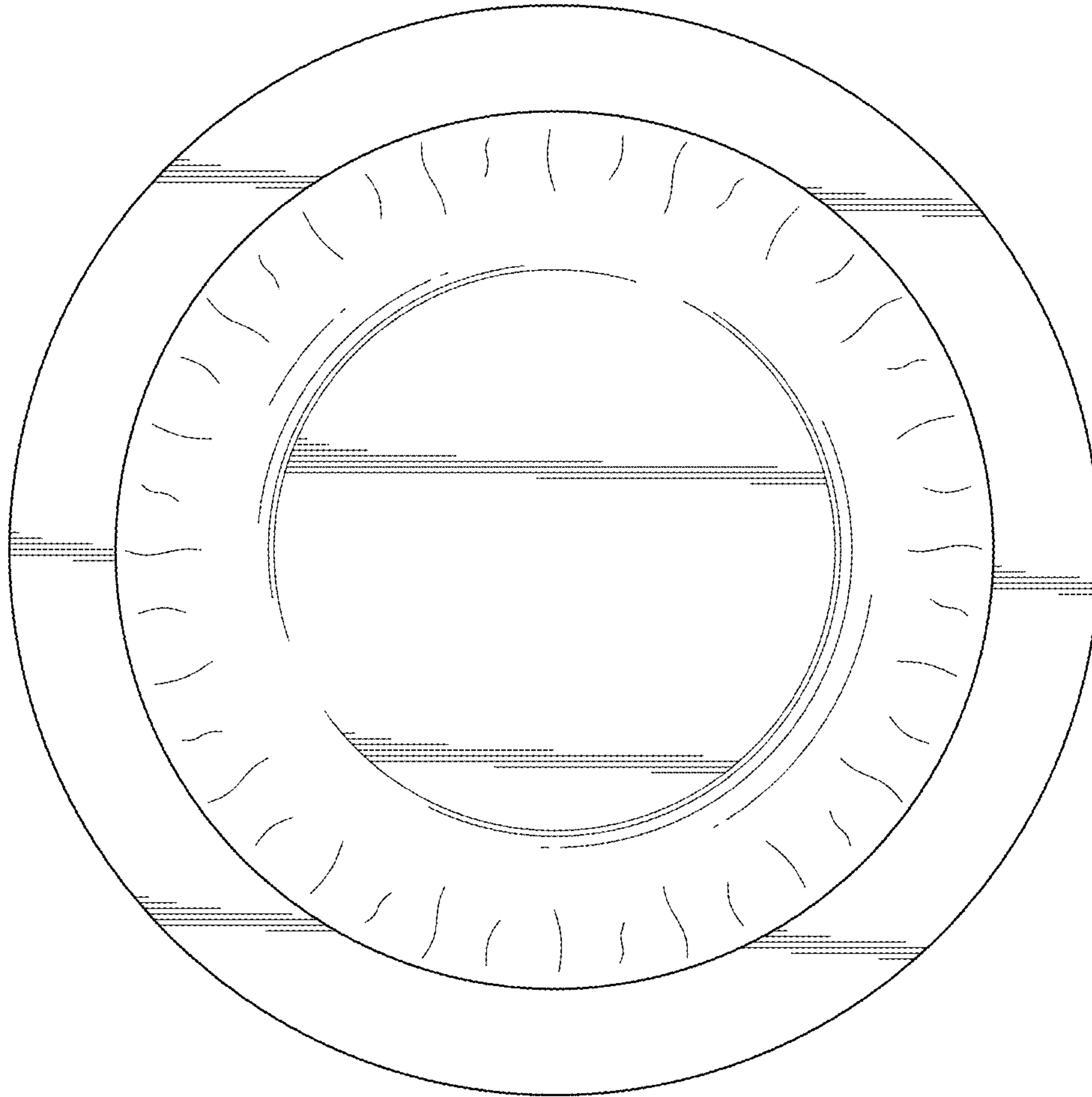


FIG. 3

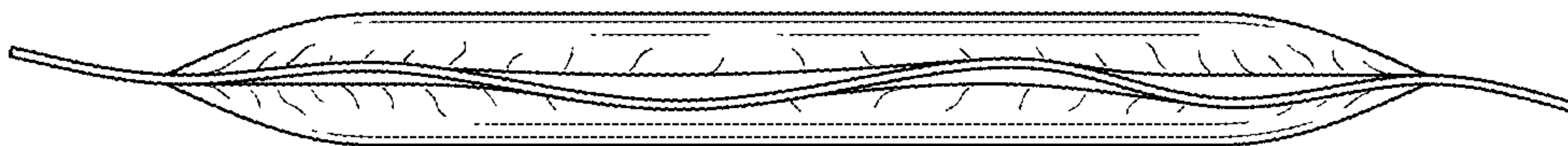


FIG. 4

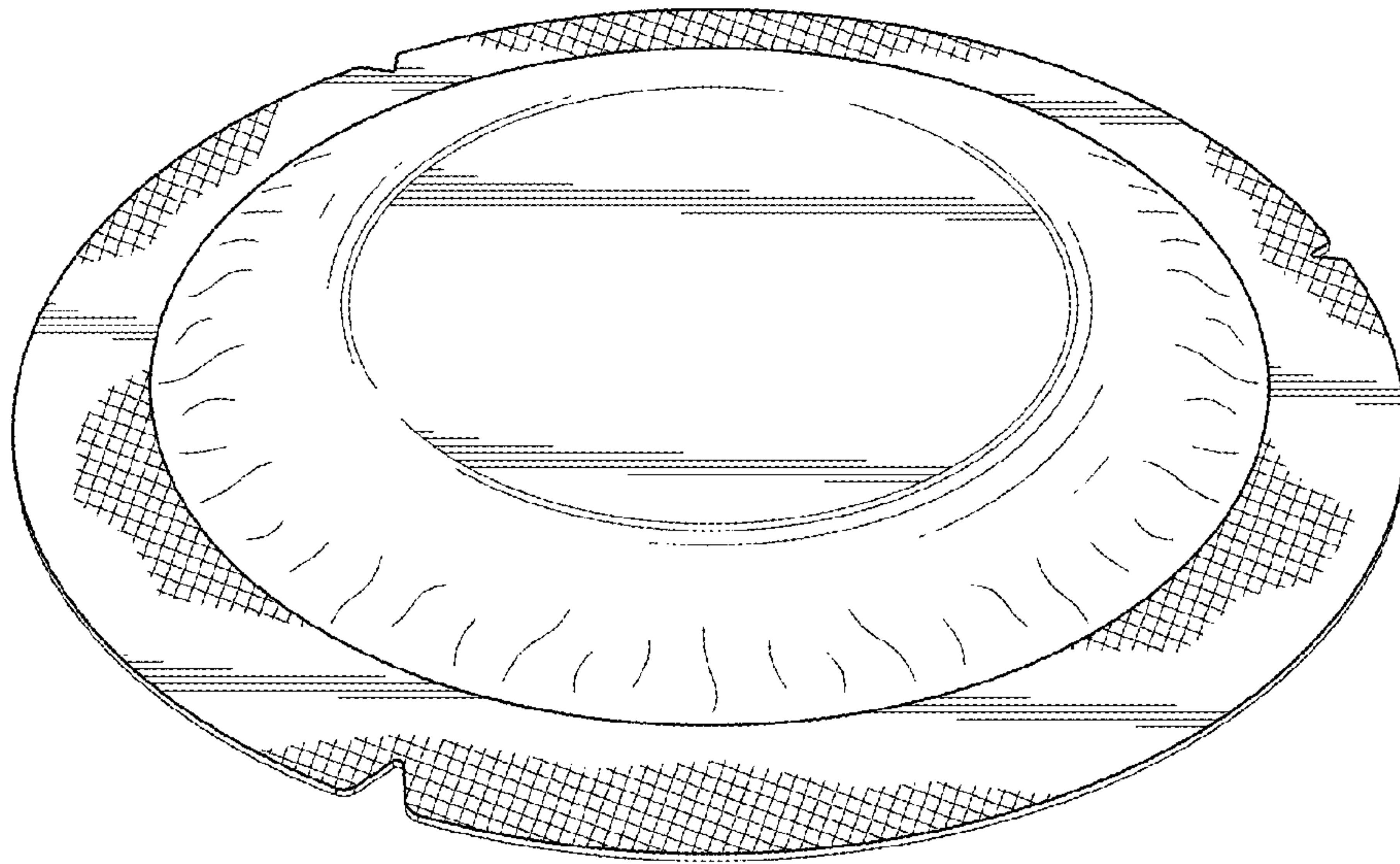


FIG. 5

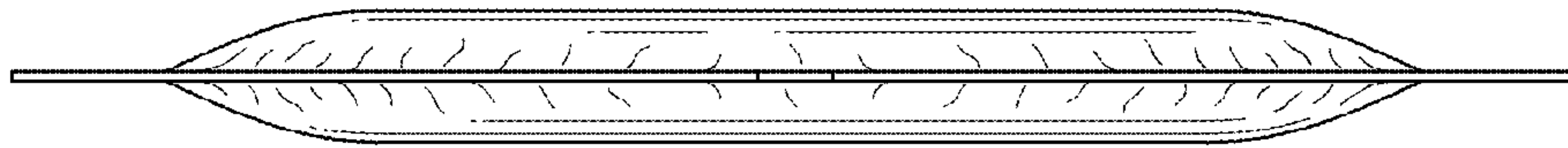


FIG. 6

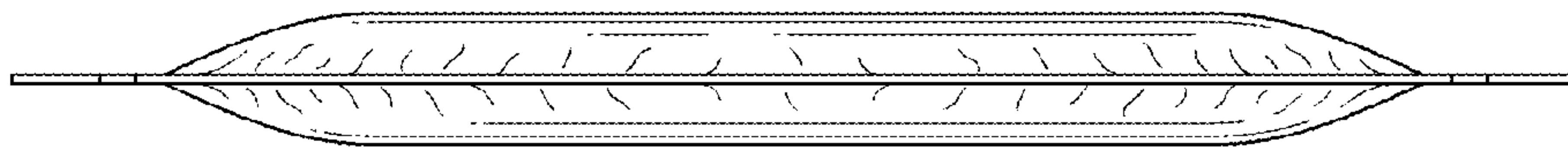


FIG. 7

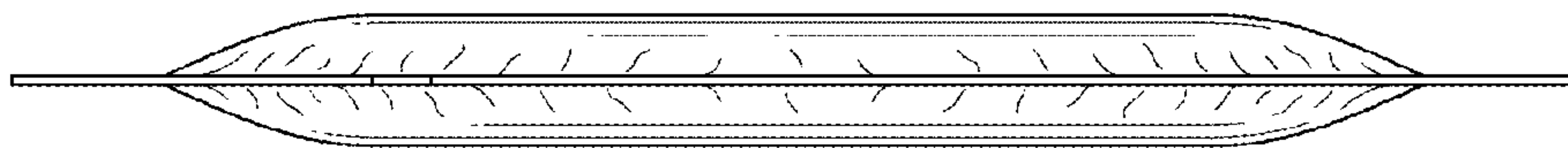


FIG. 8

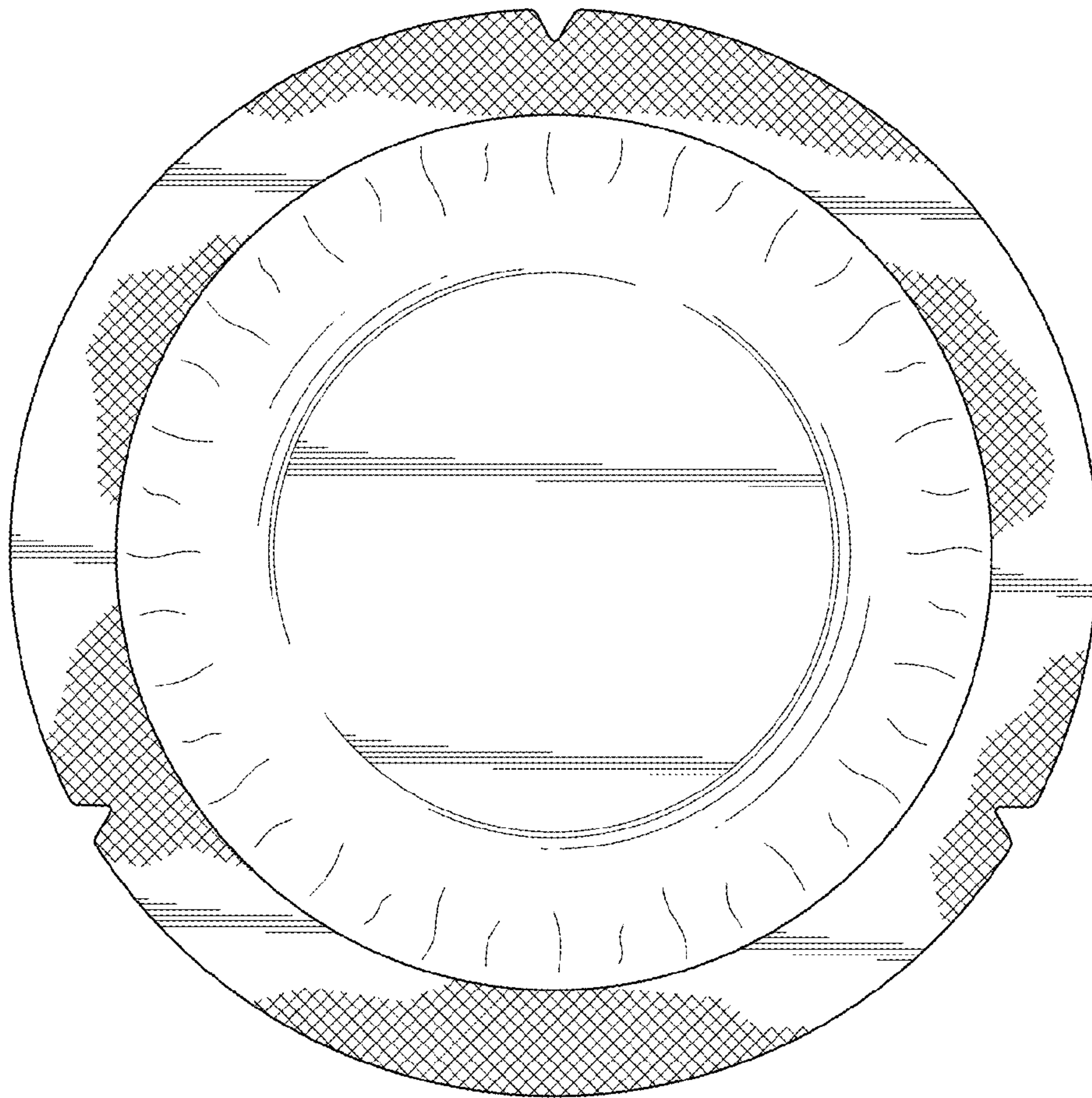


FIG. 9