



US00D722271S

(12) **United States Design Patent**
Davis et al.

(10) **Patent No.:** **US D722,271 S**
(45) **Date of Patent:** **** Feb. 10, 2015**

- (54) **HAND HYGIENE BOTTLE**
- (71) Applicant: **Sage Products, LLC**, Cary, IL (US)
- (72) Inventors: **Greg Davis**, Crystal Lake, IL (US); **Ron Cagle**, Crystal Lake, IL (US); **David Beck**, Crystal Lake, IL (US)
- (73) Assignee: **Sage Products, LLC**, Cary, IL (US)
- (**) Term: **14 Years**
- (21) Appl. No.: **29/455,410**
- (22) Filed: **May 20, 2013**
- (51) **LOC (10) Cl.** **09-01**
- (52) **U.S. Cl.**
USPC **D9/521**; D9/564; D9/574
- (58) **Field of Classification Search**
CPC B65D 1/00; B65D 1/02; B65D 1/0223;
B65D 23/00; B65D 23/003
USPC D9/516, 520–521, 549, 558, 564, 571,
D9/574, 695, 697–699, 730, 733; D6/524,
D6/541–542, 545; D7/397; D32/29, 29.1,
D32/30; 206/77.1; 215/379, 381–383;
220/481, 600, 669, 675; 222/160
See application file for complete search history.

6,883,563	B2	4/2005	Smith	
D506,140	S *	6/2005	Maus	D9/542
D512,648	S	12/2005	Smith et al.	
D601,900	S *	10/2009	Phemster	D9/521
7,597,122	B1	10/2009	Smith	
D623,068	S *	9/2010	Hentzel	D9/565
8,020,733	B2	9/2011	Snodgrass	
D654,743	S	2/2012	Rospierski	
D657,253	S *	4/2012	Wanders	D9/521
D659,000	S *	5/2012	Kim et al.	D9/516
D664,434	S *	7/2012	Kim et al.	D9/516
D672,245	S *	12/2012	Nukuto et al.	D9/521
D672,251	S *	12/2012	Nukuto et al.	D9/562
D674,701	S *	1/2013	Claassen	D9/542
8,342,365	B2	1/2013	Snodgrass	
D683,227	S *	5/2013	Balini	D9/544
D683,628	S *	6/2013	Claassen	D9/542
D693,689	S *	11/2013	Kim et al.	D9/516
D697,809	S *	1/2014	de Cleir et al.	D9/521
2009/0184134	A1	7/2009	Ciavarella et al.	
2010/0094581	A1	4/2010	Cagle	
2010/0173581	A1	7/2010	Dolan	

(Continued)

Primary Examiner — Ian Simmons
Assistant Examiner — Dana L Meyrow
(74) *Attorney, Agent, or Firm* — Brinks Gilson & Lione

(57) **CLAIM**
We claim the ornamental design for a hand hygiene bottle, as shown and described.

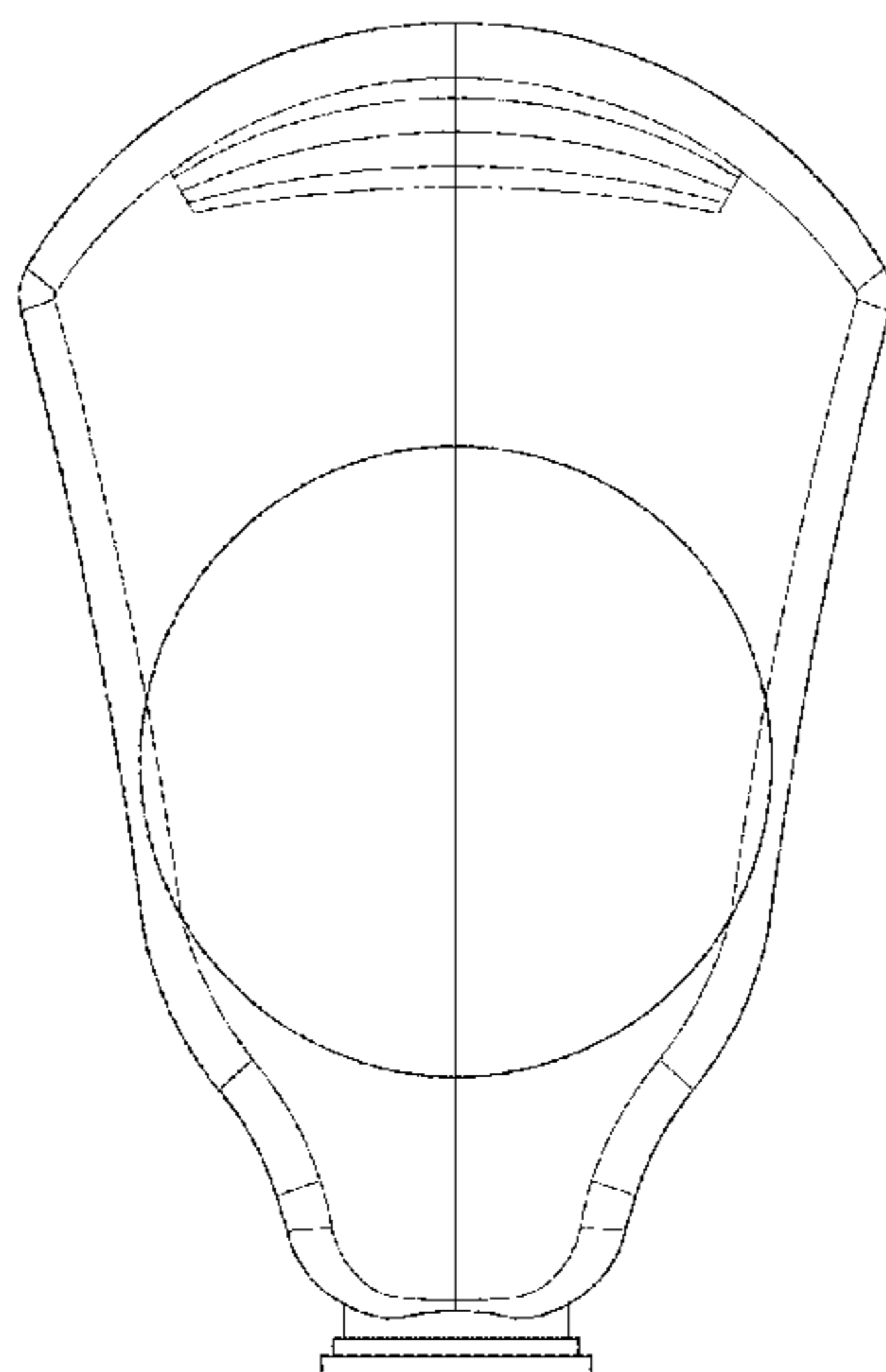
(56) **References Cited**
U.S. PATENT DOCUMENTS

D108,778	S *	3/1938	Clevenger	D9/562
D201,261	S *	6/1965	Roberts	D9/550
D276,501	S *	11/1984	Pardo	D9/571
D323,455	S *	1/1992	Eichler	D9/558
D396,009	S	7/1998	Reubens	
D432,425	S *	10/2000	Feigenbaum	D9/529
D449,537	S *	10/2001	Feigenbaum	D9/529
6,347,724	B1	2/2002	Chen et al.	
6,431,400	B1	8/2002	O'Maley et al.	
D471,047	S *	3/2003	Gordon et al.	D6/545
D474,690	S *	5/2003	Bakic	D9/521
D502,400	S *	3/2005	Cinquino et al.	D9/521

DESCRIPTION

FIG. 1 is a perspective view of a hand hygiene bottle of the present invention;
FIG. 2 is a front view thereof;
FIG. 3 is a rear view thereof;
FIG. 4 is a top view thereof;
FIG. 5 is a bottom view thereof;
FIG. 6 is a left side view thereof;
FIG. 7 is a right side view thereof; and,
FIG. 8 is another perspective view thereof.

1 Claim, 8 Drawing Sheets



(56)

References Cited

U.S. PATENT DOCUMENTS

2011/0063106 A1 3/2011 Snodgrass
2011/0169643 A1 7/2011 Cartner

2011/0169645 A1 7/2011 Cartner et al.
2012/0112914 A1 5/2012 Wegelin et al.
2012/0241470 A1 9/2012 Snodgrass et al.
2012/0275568 A1 11/2012 Mazor et al.

* cited by examiner

Fig. 1

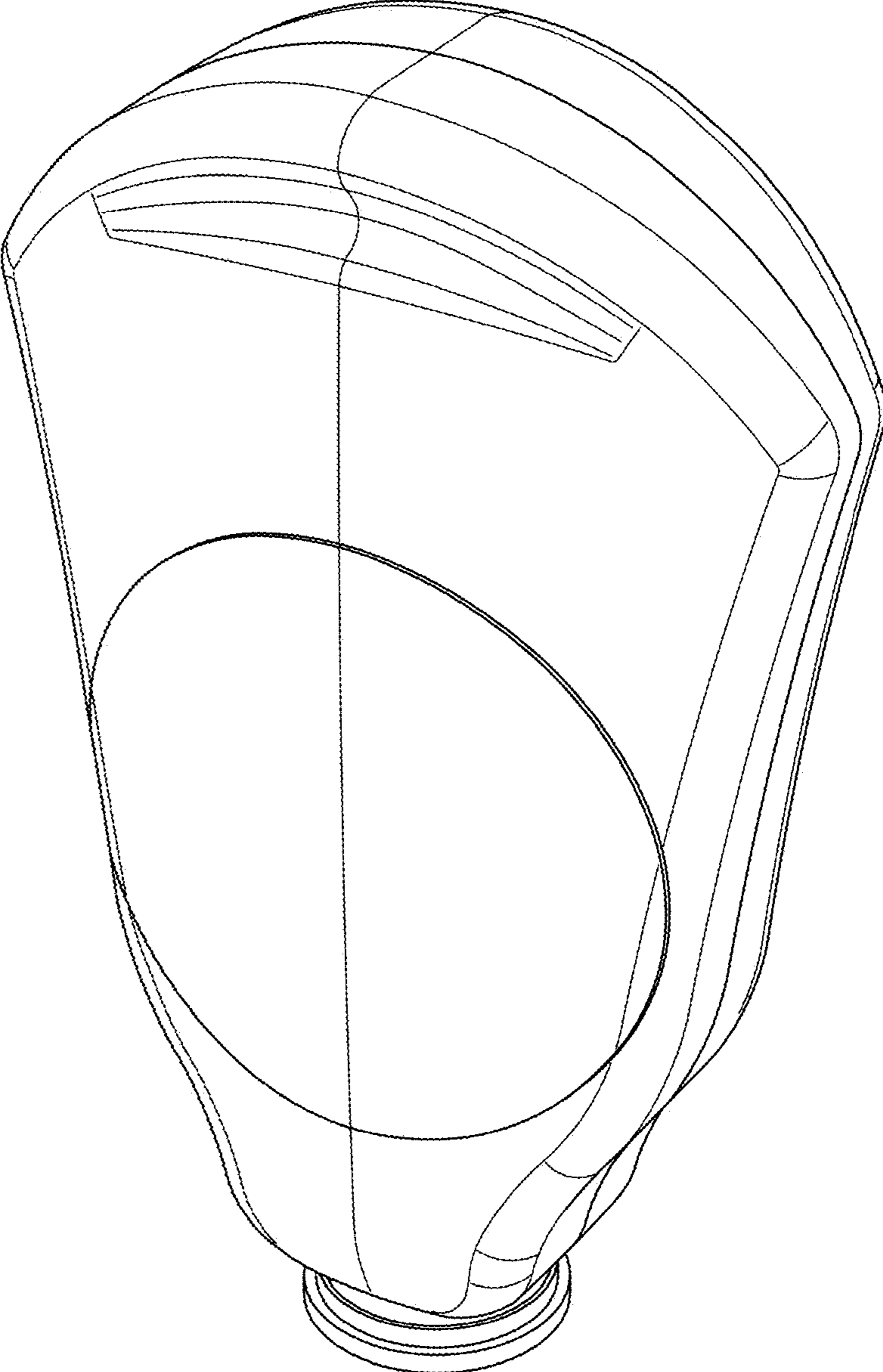


Fig. 2

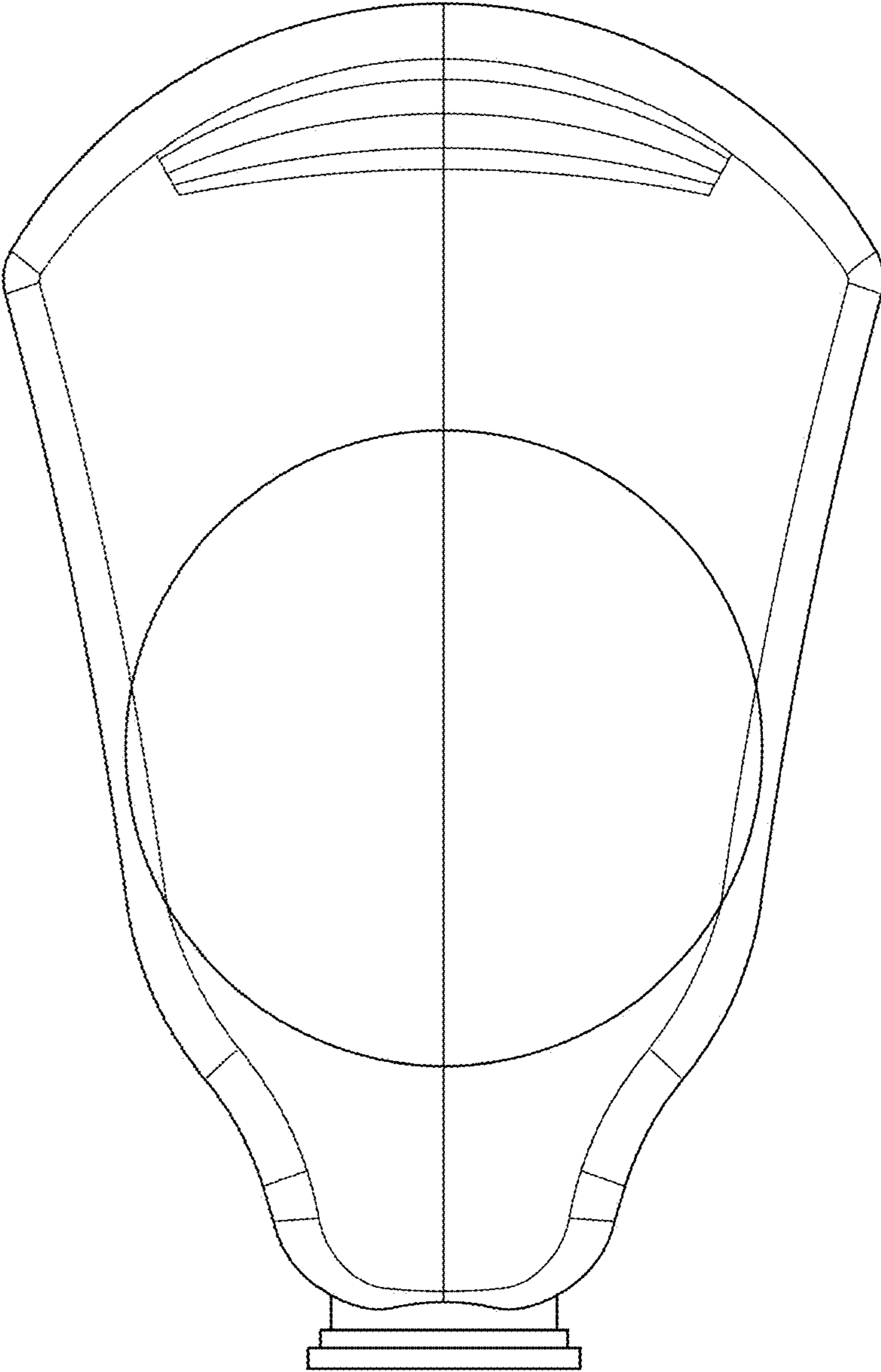


Fig. 3

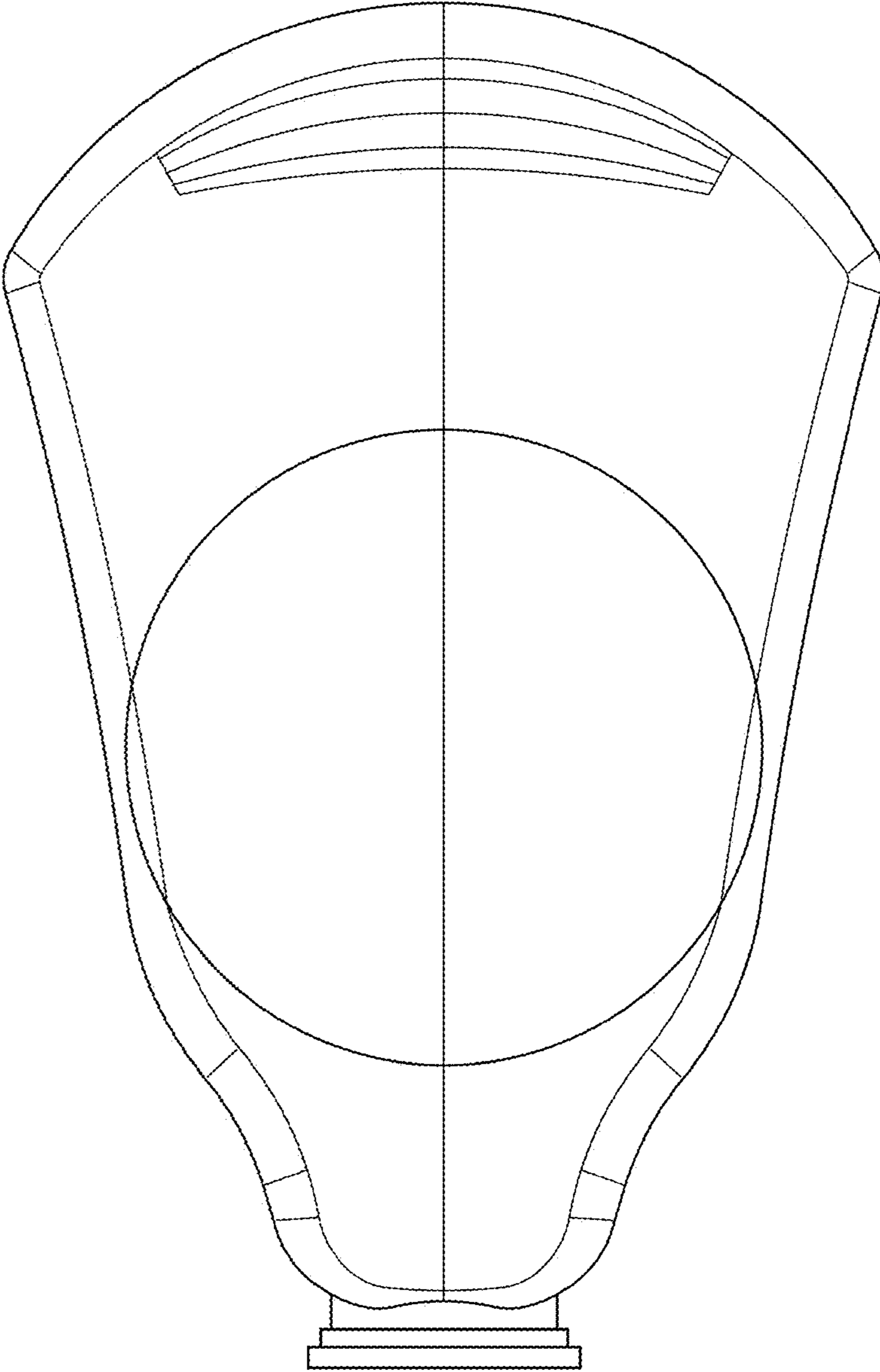


Fig. 4

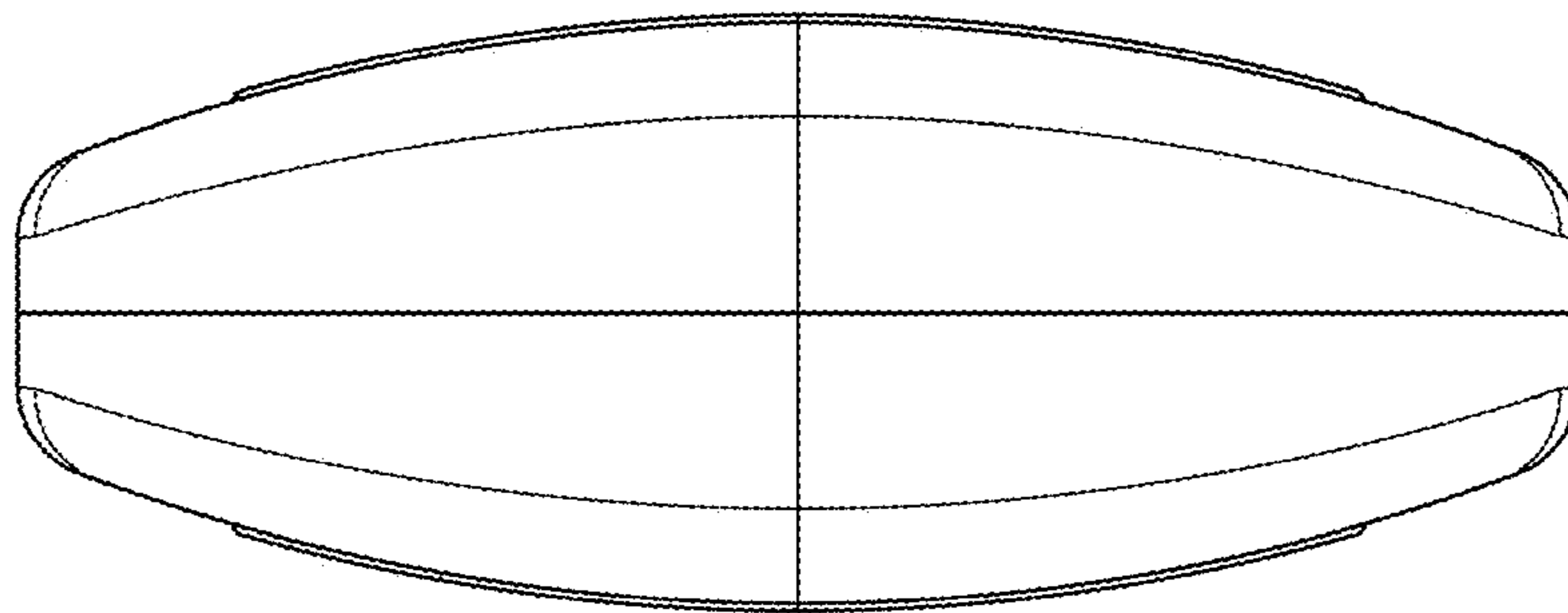


Fig. 5

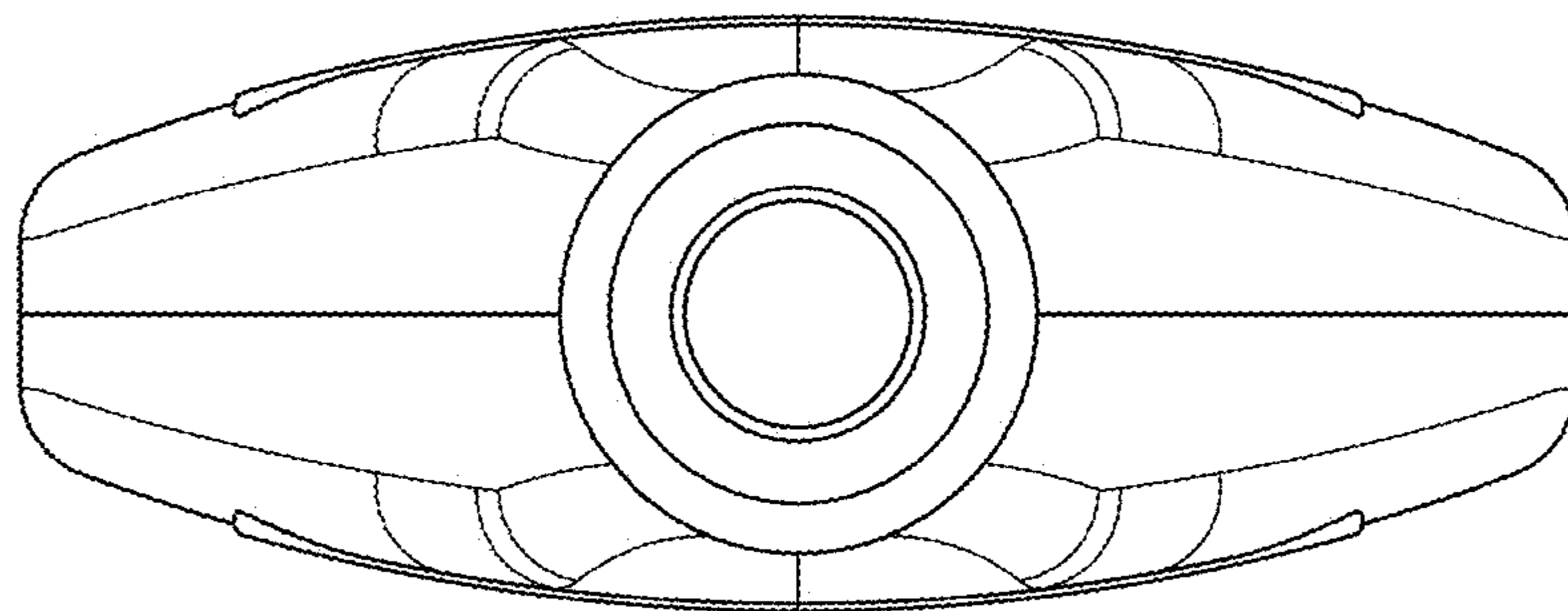


Fig. 6

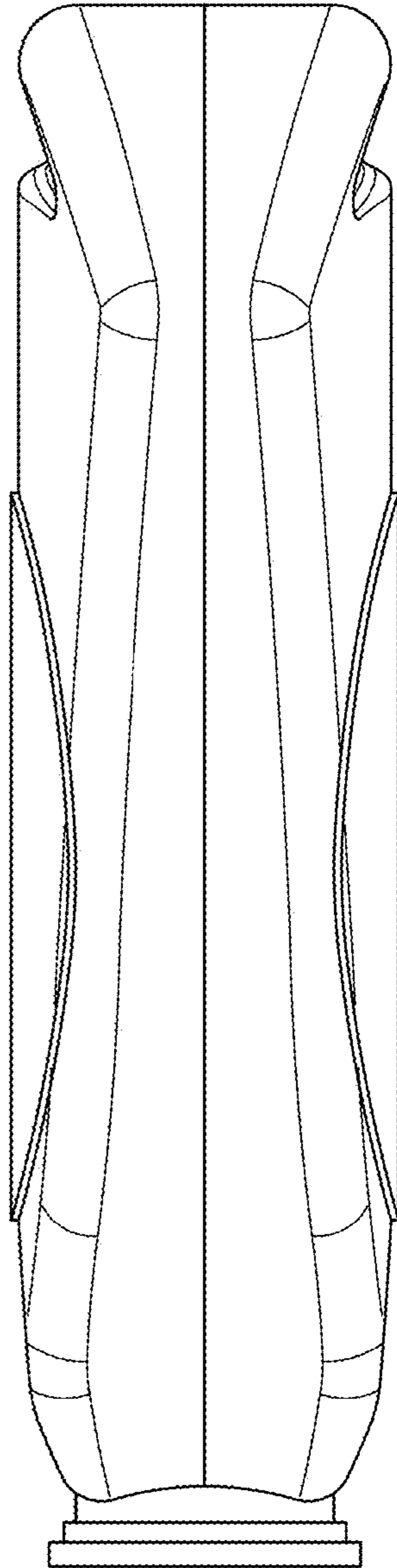


Fig. 7

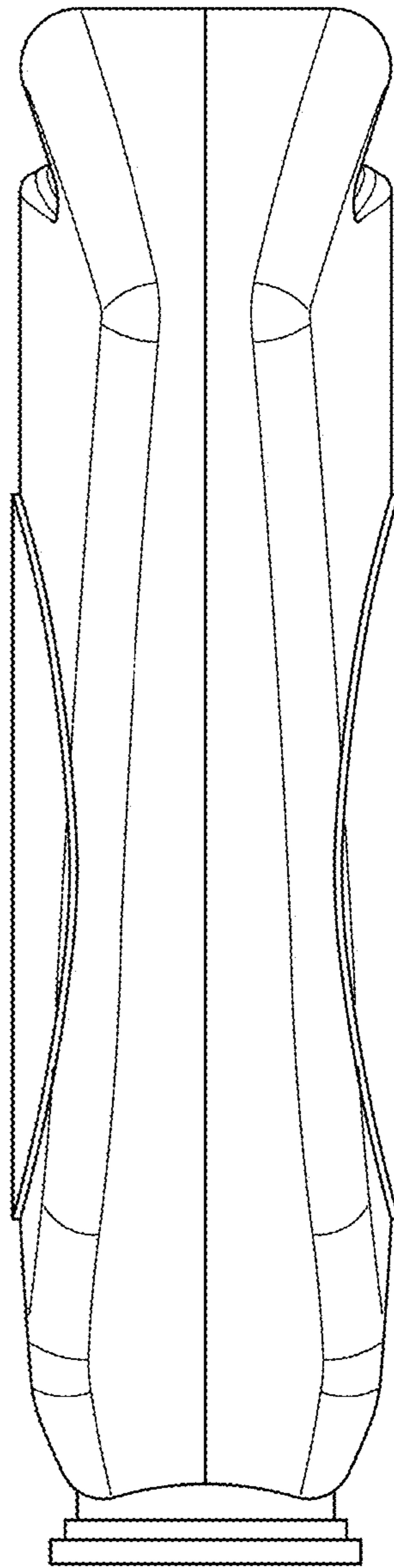


Fig. 8

