



US00D722270S

(12) **United States Design Patent**  
**Davis et al.**

(10) **Patent No.:** **US D722,270 S**  
(45) **Date of Patent:** **\*\* Feb. 10, 2015**

- (54) **HAND HYGIENE BOTTLE**
- (71) Applicant: **Sage Products, LLC**, Cary, IL (US)
- (72) Inventors: **Greg Davis**, Crystal Lake, IL (US); **Ron Cagle**, Crystal Lake, IL (US); **David Beck**, Crystal Lake, IL (US)
- (73) Assignee: **Sage Products, LLC**, Cary, IL (US)
- (\*\*) Term: **14 Years**
- (21) Appl. No.: **29/455,535**
- (22) Filed: **May 21, 2013**
- (51) **LOC (10) Cl.** ..... **09-01**
- (52) **U.S. Cl.**  
USPC ..... **D9/516; D9/521**
- (58) **Field of Classification Search**  
CPC ..... B65D 1/00; B65D 1/02; B65D 1/0223;  
B65D 23/00; B65D 23/003  
USPC ..... D9/516, 520–521, 549, 558, 564, 571,  
D9/574, 695, 697–699, 730, 733; D6/524,  
D6/541–542, 545; D7/397; D32/29, 29.1,  
D32/30; 206/77.1; 215/379, 381–383;  
220/481, 600, 669, 675; 222/160  
See application file for complete search history.

(56) **References Cited**

**U.S. PATENT DOCUMENTS**

D108,778	S	*	3/1938	Clevenger	.....	D9/562
D276,501	S	*	11/1984	Pardo	.....	D9/571
D396,009	S		7/1998	Reubens		
D432,425	S	*	10/2000	Feigenbaum	.....	D9/529
D449,537	S	*	10/2001	Feigenbaum	.....	D9/529
6,347,724	B1		2/2002	Chen et al.		
6,431,400	B1		8/2002	O'Maley et al.		
D474,690	S	*	5/2003	Bakic	.....	D9/521
D502,400	S	*	3/2005	Cinquino et al.	.....	D9/521
6,883,563	B2		4/2005	Smith		
D506,140	S	*	6/2005	Maus	.....	D9/542
D512,648	S		12/2005	Smith et al.		

D601,900	S	*	10/2009	Phemster	.....	D9/521
7,597,122	B1		10/2009	Smith		
D623,068	S	*	9/2010	Hentzel	.....	D9/565
8,020,733	B2		9/2011	Snodgrass		
D654,743	S		2/2012	Rospierski		
D657,253	S	*	4/2012	Wanders	.....	D9/521
D659,000	S	*	5/2012	Kim et al.	.....	D9/516
D664,434	S	*	7/2012	Kim et al.	.....	D9/516
D672,245	S	*	12/2012	Nukuto et al.	.....	D9/521
D672,251	S	*	12/2012	Nukuto et al.	.....	D9/562
D674,701	S	*	1/2013	Claassen	.....	D9/542
8,342,365	B2		1/2013	Snodgrass		
D683,227	S	*	5/2013	Balini	.....	D9/544
D683,628	S	*	6/2013	Claassen	.....	D9/542
D693,689	S	*	11/2013	Kim et al.	.....	D9/516
D697,809	S	*	1/2014	de Cleir et al.	.....	D9/521
2009/0184134	A1		7/2009	Ciavarella et al.		
2010/0094581	A1		4/2010	Cagle		

(Continued)

*Primary Examiner* — Ian Simmons

*Assistant Examiner* — Dana L Meyrow

(74) *Attorney, Agent, or Firm* — Brinks Gilson & Lione

(57) **CLAIM**

We claim the ornamental design for a hand hygiene bottle, as shown and described.

**DESCRIPTION**

FIG. 1 is a perspective view of a hand hygiene bottle of the present invention;

FIG. 2 is a front view thereof;

FIG. 3 is a rear view thereof;

FIG. 4 is a top view thereof;

FIG. 5 is a bottom view thereof;

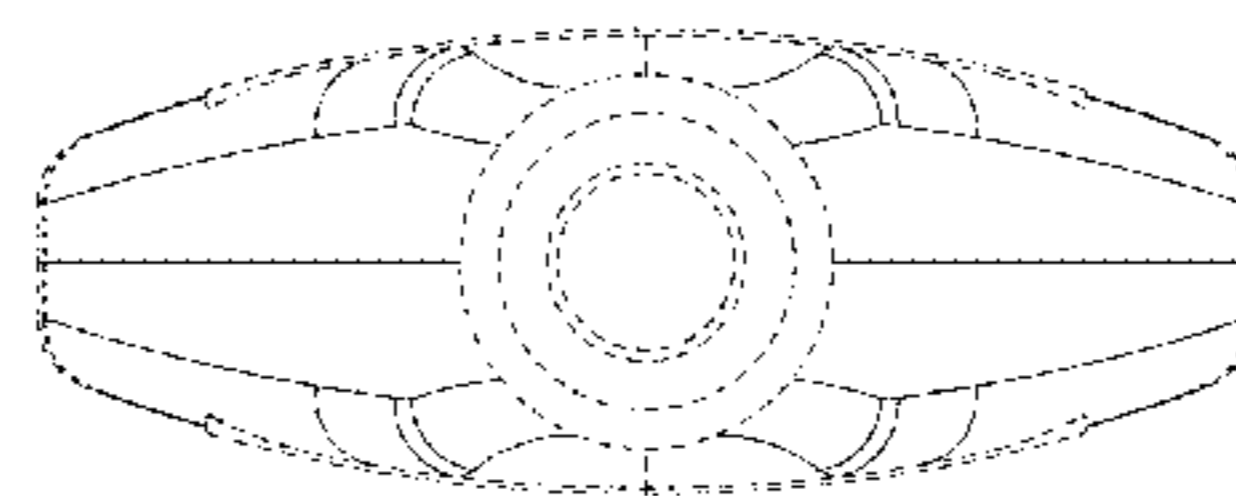
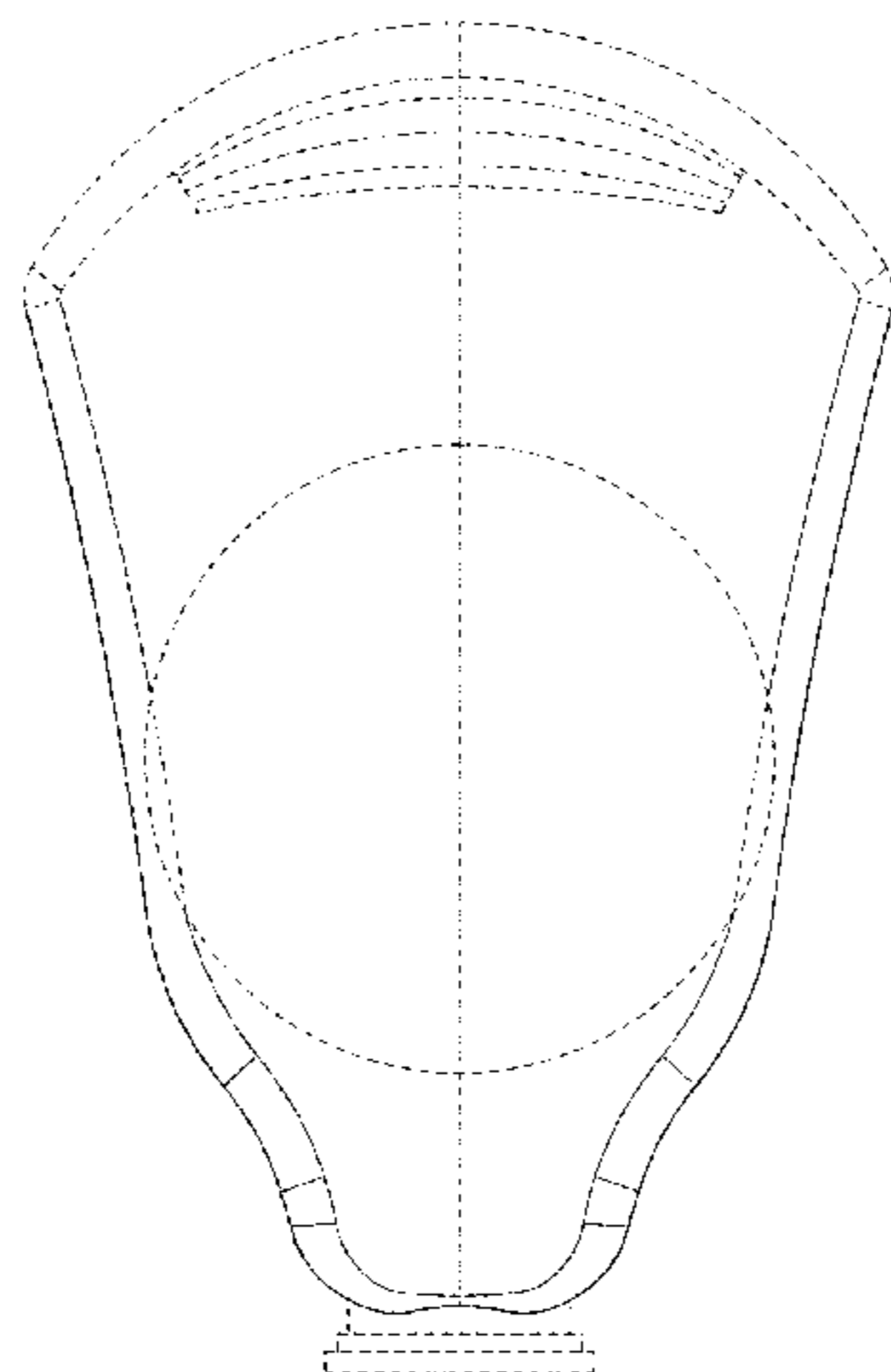
FIG. 6 is a left side view thereof;

FIG. 7 is a right side view thereof; and,

FIG. 8 is another perspective view thereof.

The evenly-dashed broken lines in the drawings illustrate the portions of the design that form no part of the claim. The dotted broken lines in the drawings define the bounds of the claim and form no part thereof.

**1 Claim, 8 Drawing Sheets**



(56)

**References Cited**

U.S. PATENT DOCUMENTS

2010/0173581 A1 7/2010 Dolan  
2011/0063106 A1 3/2011 Snodgrass  
2011/0169643 A1 7/2011 Cartner

2011/0169645 A1 7/2011 Cartner et al.  
2012/0112914 A1 5/2012 Wegelin et al.  
2012/0241470 A1 9/2012 Snodgrass et al.  
2012/0275568 A1 11/2012 Mazor et al.

\* cited by examiner

Fig. 1

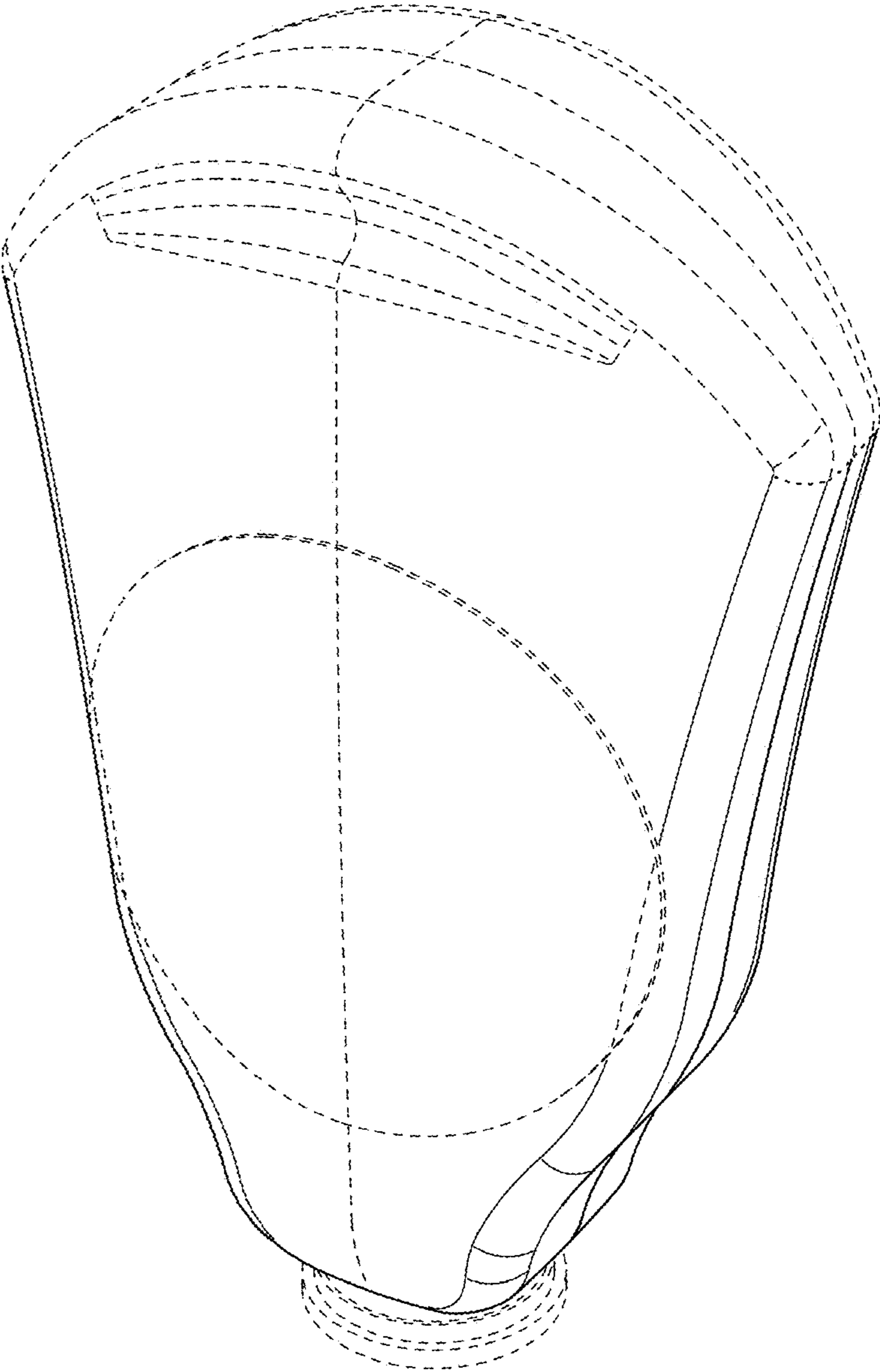


Fig. 2

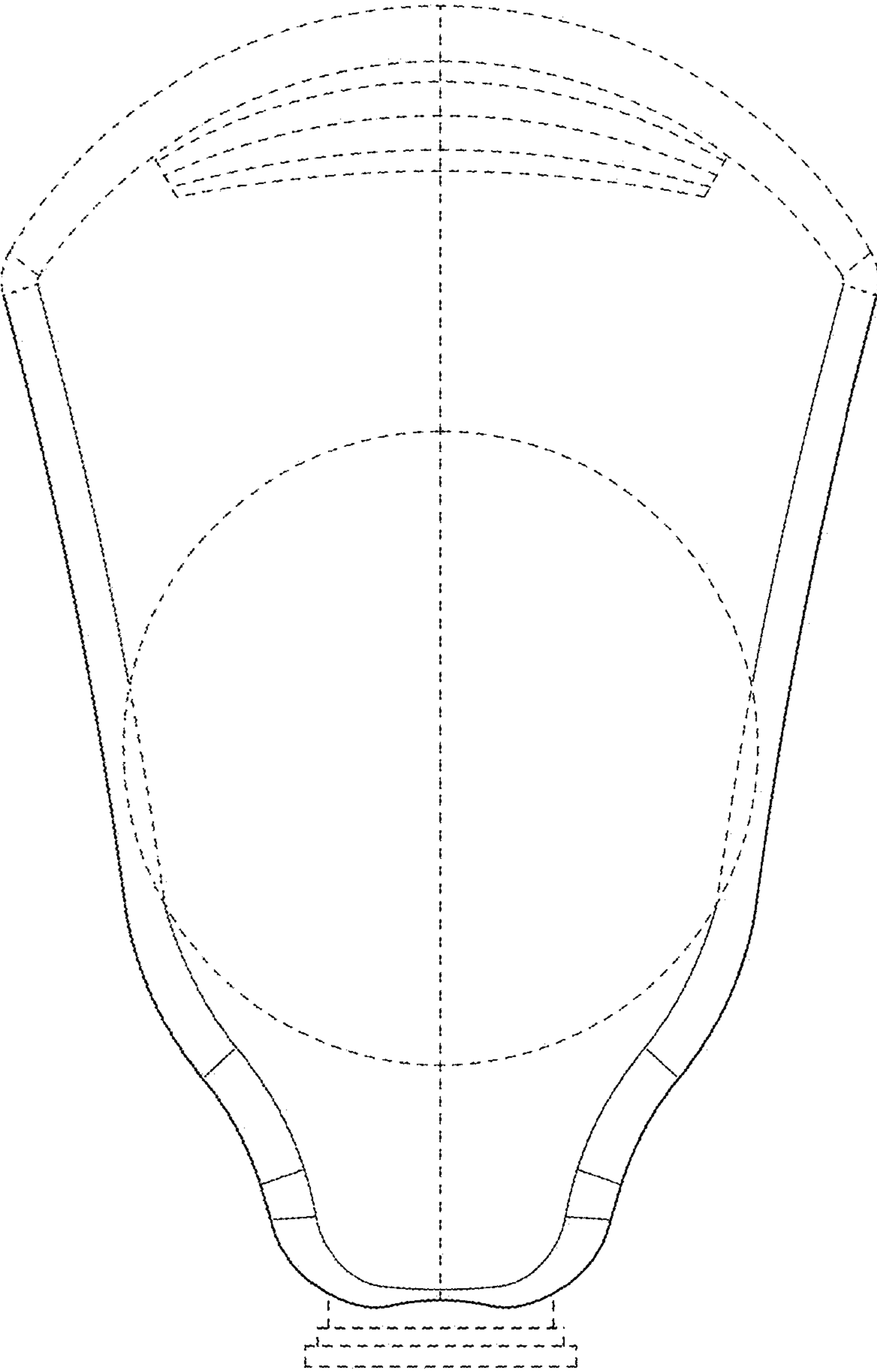


Fig. 3

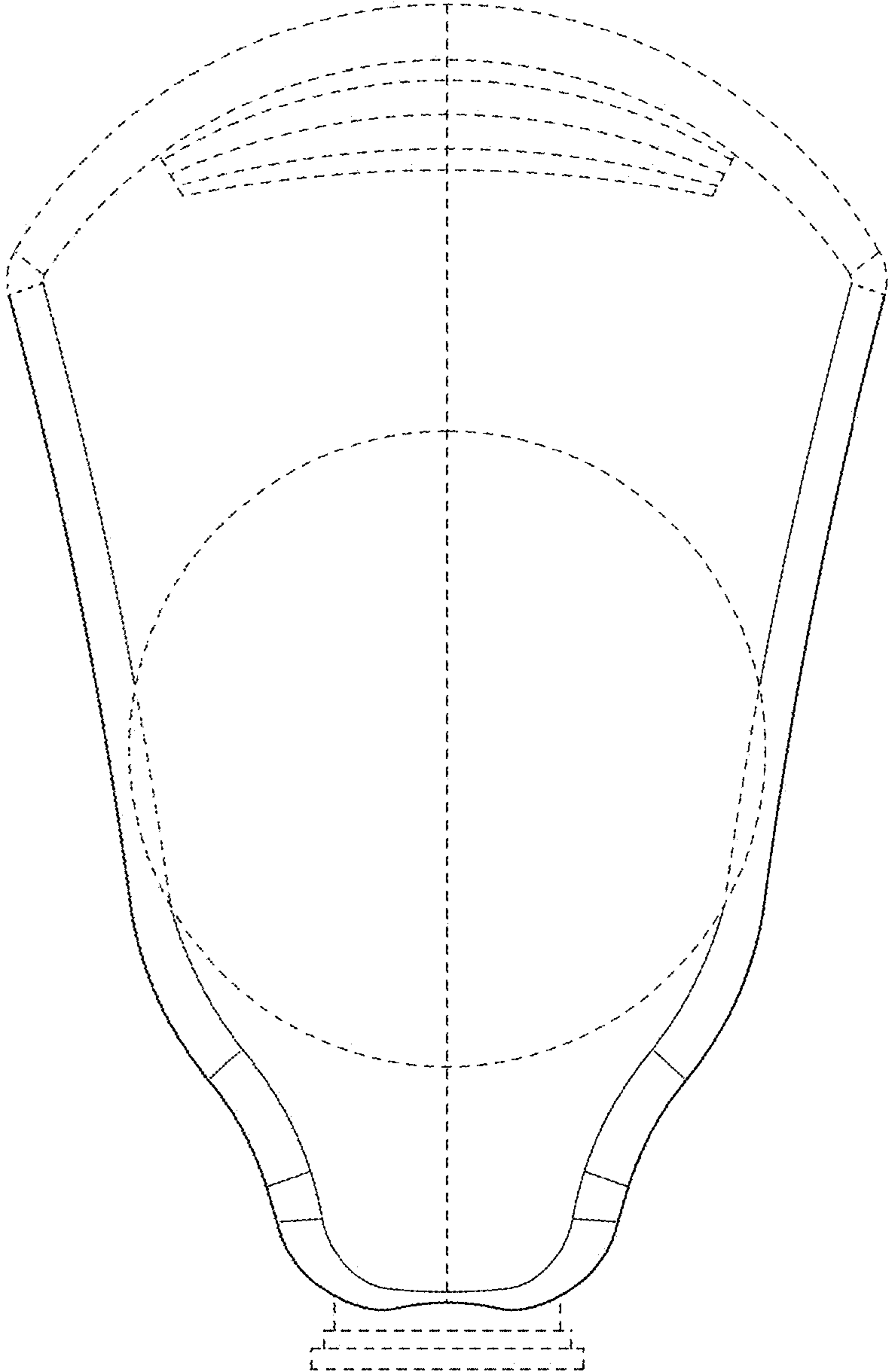


Fig. 4

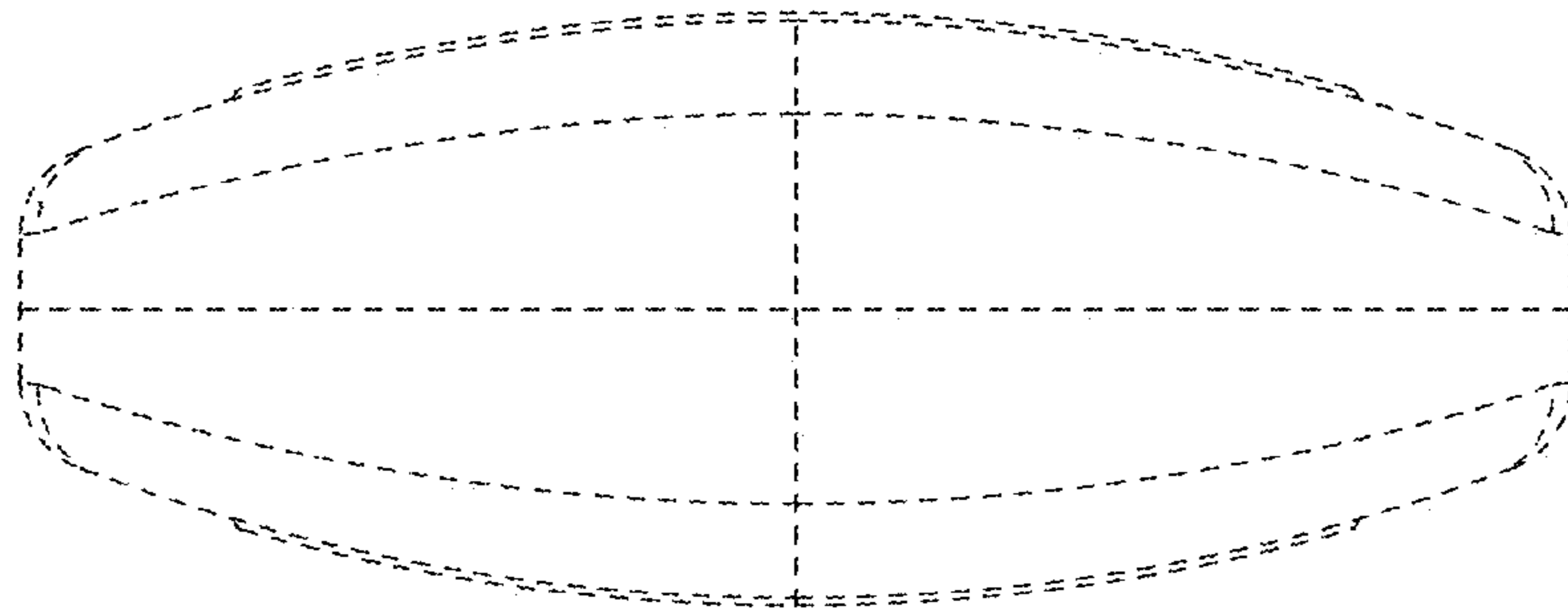


Fig. 5

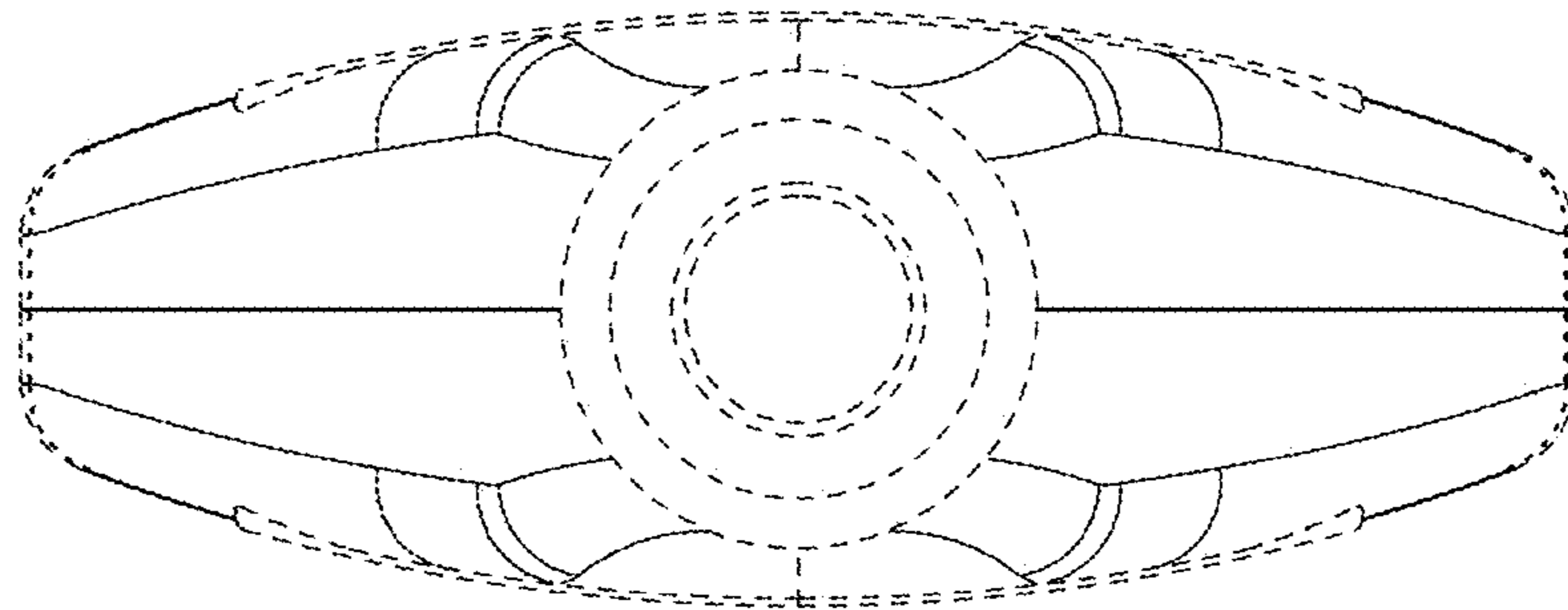


Fig. 6

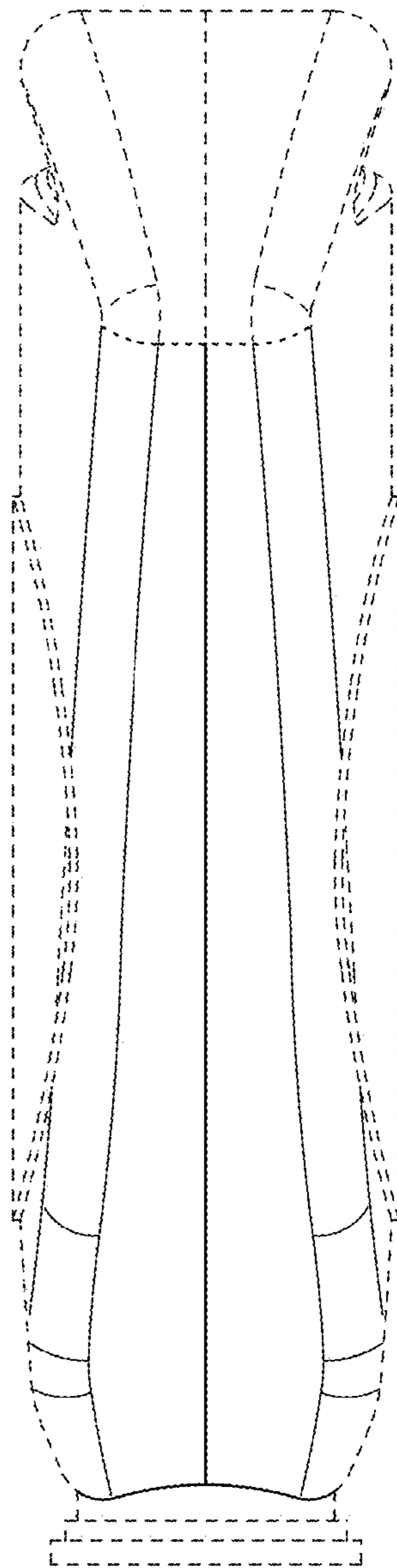




Fig. 7

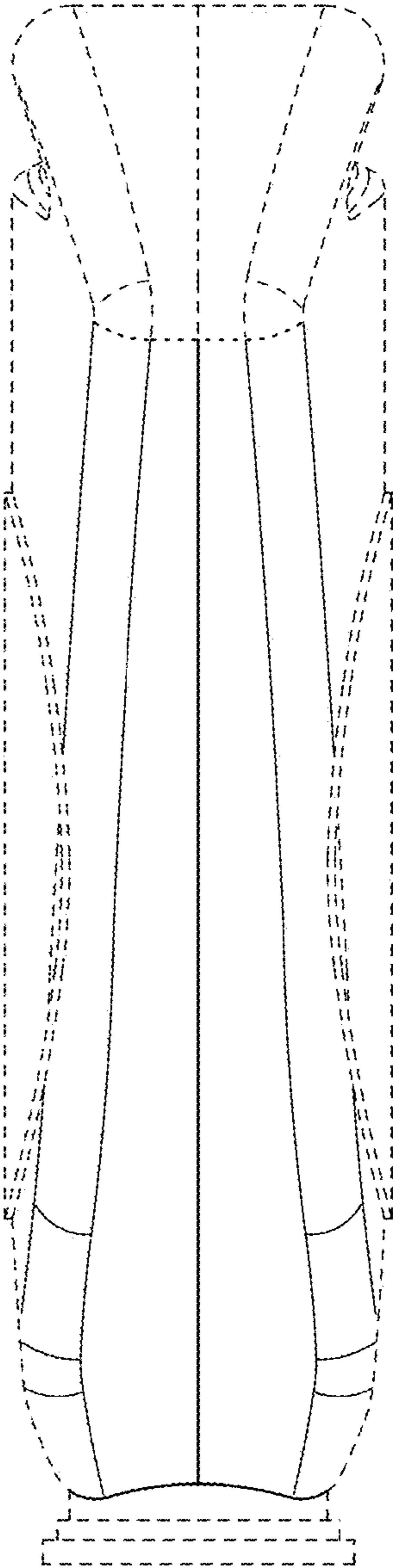


Fig. 8

