



US00D722267S

(12) **United States Design Patent**
Miranda De Araujo et al.

(10) **Patent No.:** **US D722,267 S**
(45) **Date of Patent:** **** Feb. 10, 2015**

- (54) **MULTI-PURPOSE FITTED LID**
- (71) Applicant: **Vilma da Silva Araujo Baptista**, Rio de Janeiro (BR)
- (72) Inventors: **Jefferson Luiz Miranda De Araujo**, Rio de Janeiro (BR); **Claudio Patrick Vollers**, Rio de Janeiro (BR); **Leonardo Garcia Nogueira**, Niteroi (BR)
- (73) Assignee: **Vilma da Silva Araujo Baptista**, Rio de Janeiro (BR)

- 5,361,919 A 11/1994 Hull et al.
- 6,296,541 B1 10/2001 Bezalel et al.
- D476,893 S 7/2003 Pinnavaia
- D484,644 S 12/2003 Noh
- 6,702,642 B1 3/2004 Parein
- D522,363 S 6/2006 Hicks et al.
- D607,726 S 1/2010 Wisniewski
- D609,568 S 2/2010 Mazurkiewicz
- D640,556 S 6/2011 Bragg et al.
- 8,187,050 B1 5/2012 Sorensen
- D661,583 S 6/2012 Santarelli et al.
- D663,202 S 7/2012 Biesecker et al.
- D683,625 S 6/2013 Miranda De Araujo et al.

(Continued)

- (**) Term: **14 Years**
- (21) Appl. No.: **29/463,563**
- (22) Filed: **Dec. 17, 2013**

FOREIGN PATENT DOCUMENTS

- BR 9802607 A 6/2005
- BR PI0802245 A2 9/2009

(Continued)

Related U.S. Application Data

- (62) Division of application No. 29/406,940, filed on Nov. 21, 2011, now Pat. No. Des. 695,613.

Foreign Application Priority Data

- May 26, 2011 (BR) DI7102728
- (51) **LOC (10) Cl.** **09-07**
- (52) **U.S. Cl.**
USPC **D9/449; D9/454**
- (58) **Field of Classification Search**
USPC D9/454, 453, 449, 447, 446, 443, 440, D9/439, 417; D7/396.2, 392.1; 222/556, 222/484; 220/837, 715, 259.2, 254.2, 220/254.5; 215/306, 235, 236
See application file for complete search history.

Primary Examiner — Robert M Spear

(74) *Attorney, Agent, or Firm* — Carter, DeLuca, Farrell & Schmidt, LLP

CLAIM

(57) We claim the ornamental design for a multi-purpose fitted lid, as shown and described.

DESCRIPTION

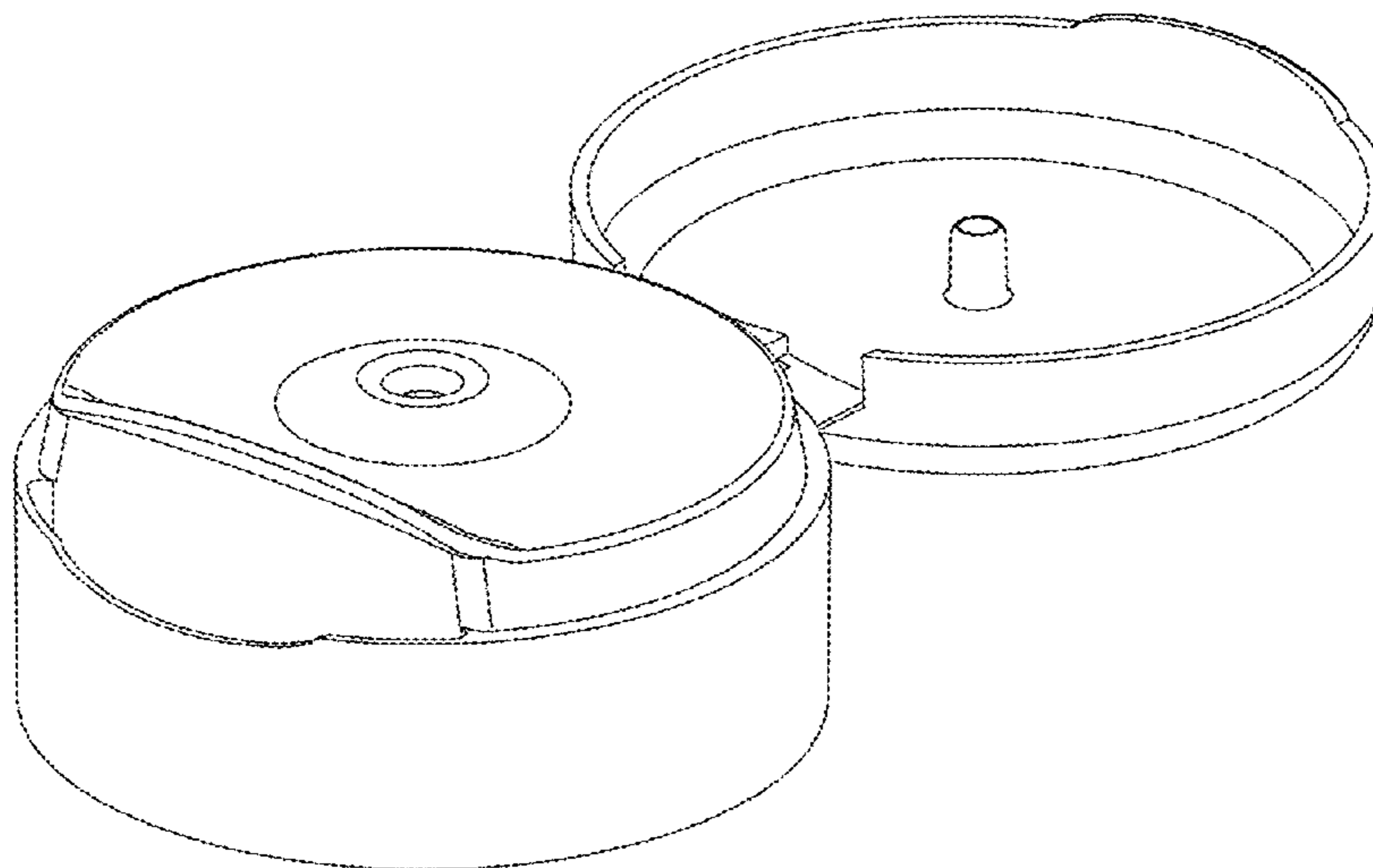
FIG. 1 is a perspective view of a multi-purpose fitted lid in an open configuration that is the subject of the present design; FIG. 2 is a side view of the multi-purpose fitted lid as shown in FIG. 1; FIG. 3 is a top view of the multi-purpose fitted lid as shown in FIG. 1; and, FIG. 4 is a bottom view of the multi-purpose fitted lid as shown in FIG. 1.

The broken lines in the drawings represent unclaimed environment subject matter and form no part of the claim. The present specification for a design patent refers to a multi-purpose fitted lid for use on containers and as stackable toys.

- (56) **References Cited**
U.S. PATENT DOCUMENTS

- 3,713,247 A 1/1973 Parrilla
- 4,202,456 A 5/1980 Silber
- D322,753 S 12/1991 Sussman

1 Claim, 1 Drawing Sheet



(56)

References Cited

U.S. PATENT DOCUMENTS

D694,587 S * 12/2013 Slocumb et al. D7/590
D695,613 S 12/2013 Miranda De Araujo et al.
2006/0191933 A1 8/2006 Hicks et al.
2011/0139745 A1 6/2011 Ezra et al.
2012/0021140 A1 1/2012 Dijksman et al.

FOREIGN PATENT DOCUMENTS

CN 2706417 Y 6/2005
CN 202046587 U 11/2011
DE 8003690 U1 5/1980
GB 2410493 A 8/2005
IL 41948 A 1/1977
WO 9936332 A1 7/1999
WO 99/67151 A1 12/1999
WO 2000055063 A1 9/2000
WO 200205918 A1 1/2002
WO 2011153598 A1 12/2011

CN 2571697 Y 9/2003

* cited by examiner

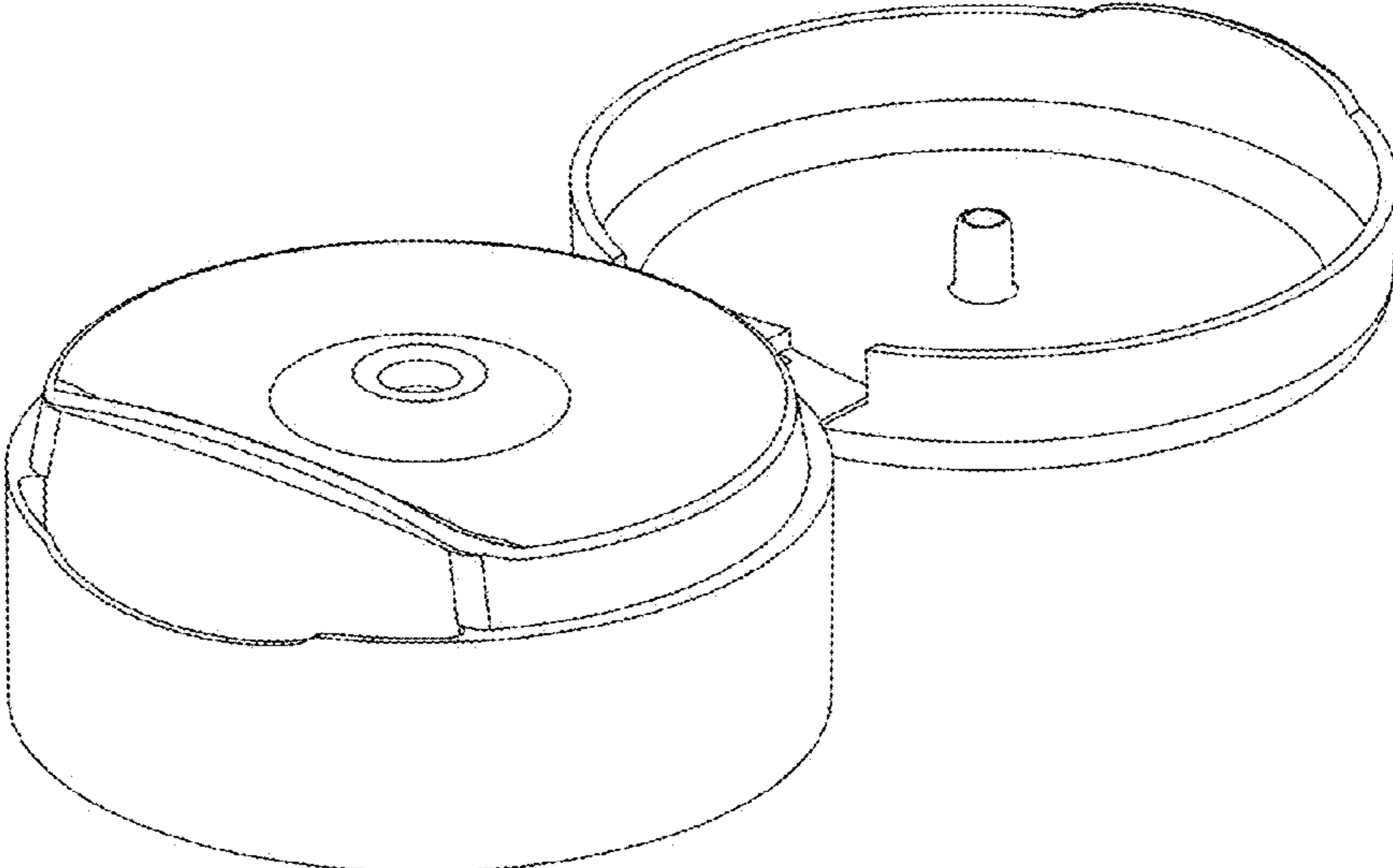


Fig. 1

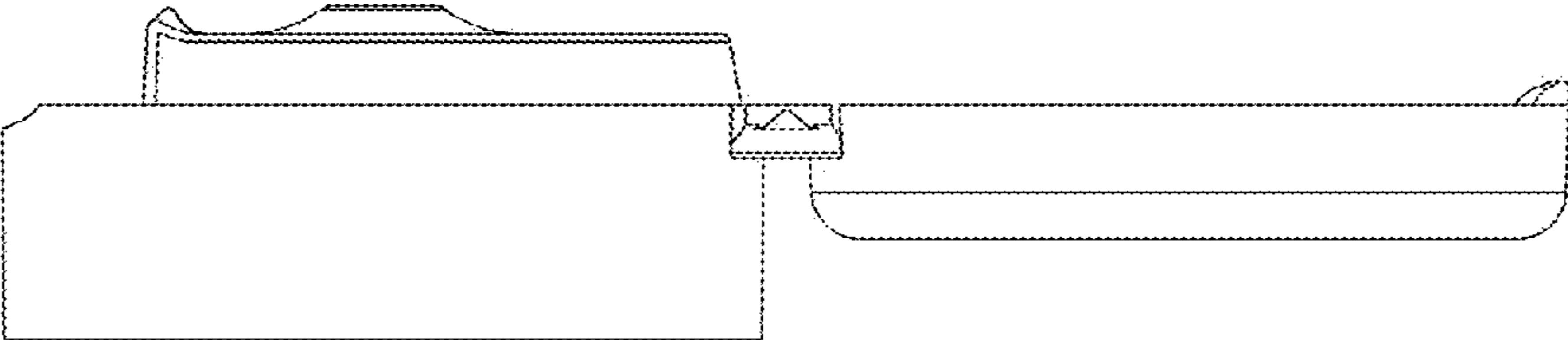


Fig. 2

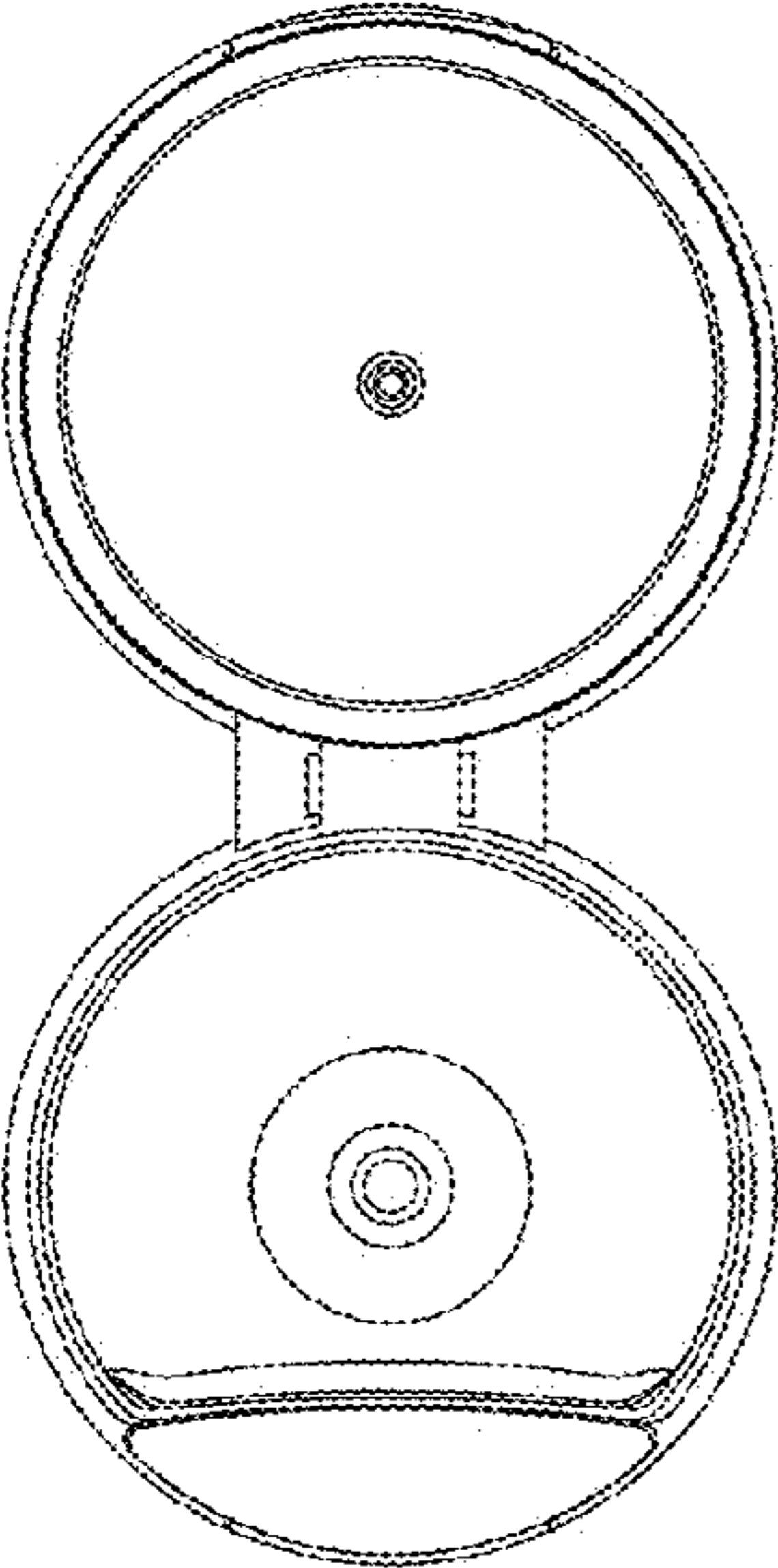


Fig. 3

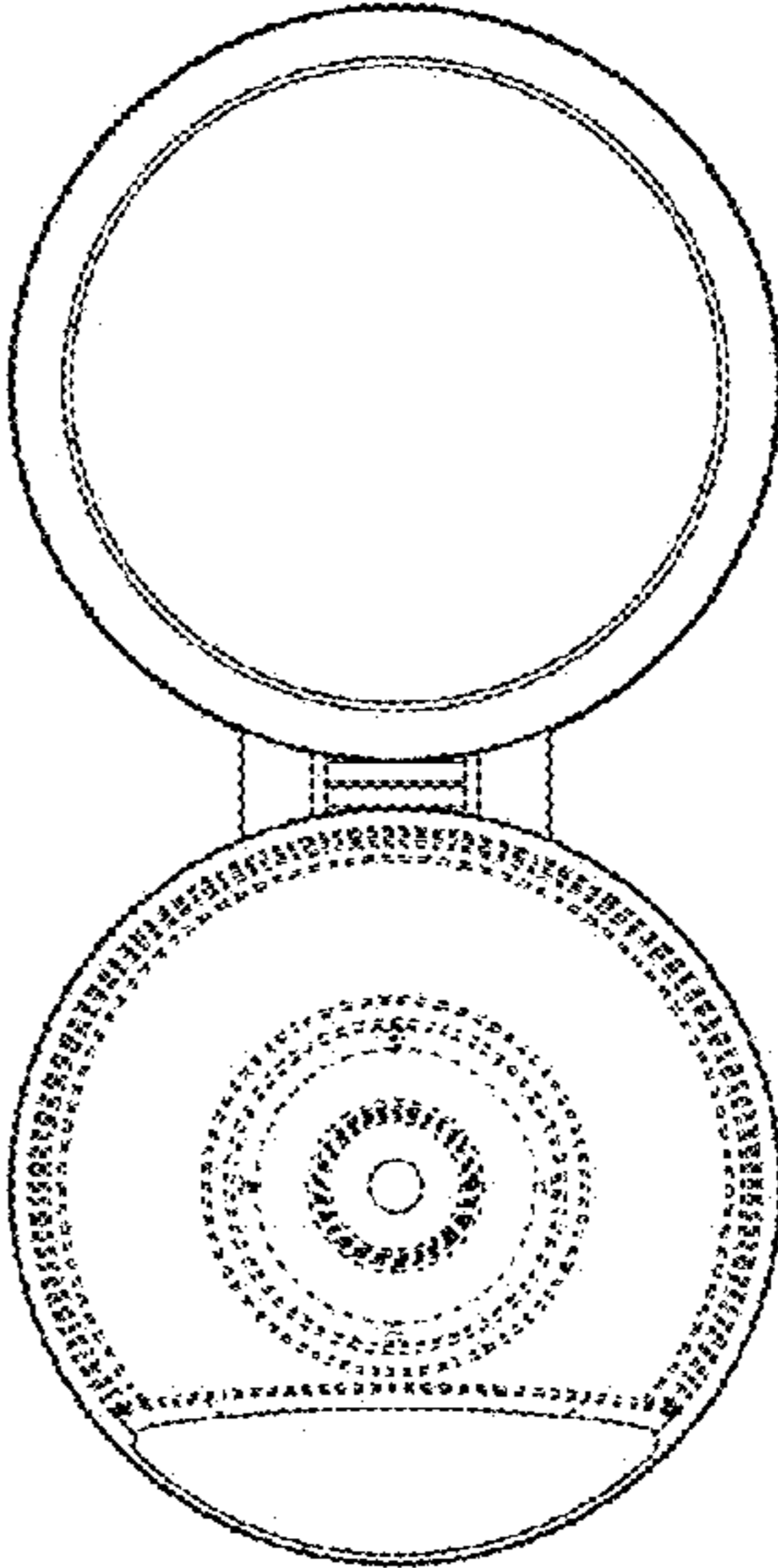


Fig. 4