



US00D722264S

(12) **United States Design Patent**
Saideh

(10) **Patent No.:** **US D722,264 S**
(45) **Date of Patent:** **** Feb. 10, 2015**

(54) **TRANSPARENT DISPLAY CASE FOR
EARBUDS**

(71) Applicant: **Zeikos Inc.**, Edison, NJ (US)

(72) Inventor: **Isaac Saideh**, Edison, NJ (US)

(73) Assignee: **Zeikos Inc.**, Edison, NJ (US)

(**) Term: **14 Years**

(21) Appl. No.: **29/483,000**

(22) Filed: **Feb. 24, 2014**

(51) **LOC (10) Cl.** **09-03**

(52) **U.S. Cl.**
USPC **D9/432**; D9/721; D9/418

(58) **Field of Classification Search**

CPC B65D 5/00; B65D 5/0015; B65D 5/0045;
B65D 5/13; B65D 5/40; B65D 5/2033;
B65D 1/22; B65D 1/225; B65D 1/24; B65D
1/34; B65D 1/38
USPC D9/414, 433, 444-445, 456, 711, 715,
D9/718, 721, 748; D7/601, 602, 538, 540,
D7/550.1; D3/203.5, 202, 207, 210;
D4/116

See application file for complete search history.

(56) **References Cited**

U.S. PATENT DOCUMENTS

D263,797 S * 4/1982 Beauchamp D9/424
D285,414 S * 9/1986 Goetz et al. D9/420
D313,753 S 1/1991 Nagasaka
D493,335 S 7/2004 Armato
D506,744 S * 6/2005 Andre et al. D14/205
D531,025 S * 10/2006 Tanner D9/426
D554,109 S 10/2007 Ledbetter et al.
D568,291 S 5/2008 Andre et al.
D575,269 S 8/2008 Ledbetter et al.
D587,677 S 3/2009 Andre et al.
D589,491 S 3/2009 Andre et al.

(Continued)

OTHER PUBLICATIONS

Panasonic, Panasonic Stereo Earphones RP-HJE 130: "The Ear-
phones Note", first retrieved Oct. 13, 2013 from [http://www.
coloribus.com/adsarchive/design/panasonic-stereo-earphones-rp-
hje-130-the-earphones-note-15702105/](http://www.coloribus.com/adsarchive/design/panasonic-stereo-earphones-rp-hje-130-the-earphones-note-15702105/).

(Continued)

Primary Examiner — Susan Bennett Hattan

Assistant Examiner — Vy Koenig

(74) *Attorney, Agent, or Firm* — Amster, Rothstein &
Ebenstein, LLP

(57) **CLAIM**

The ornamental design for a transparent display case for
earbuds, as shown and described.

DESCRIPTION

FIG. 1 is an isometric view a transparent display case for
earbuds according to the present invention;

FIG. 2 is a front view of the transparent display case for
earbuds of FIG. 1;

FIG. 3 is a rear view of the transparent display case for
earbuds of FIG. 1;

FIG. 4 is a side view of the transparent display case for
earbuds of FIG. 1;

FIG. 5 is a side view opposite the view shown in FIG. 4 of
the transparent display case for earbuds of FIG. 1;

FIG. 6 is a top view of the transparent display case for earbuds
of FIG. 1;

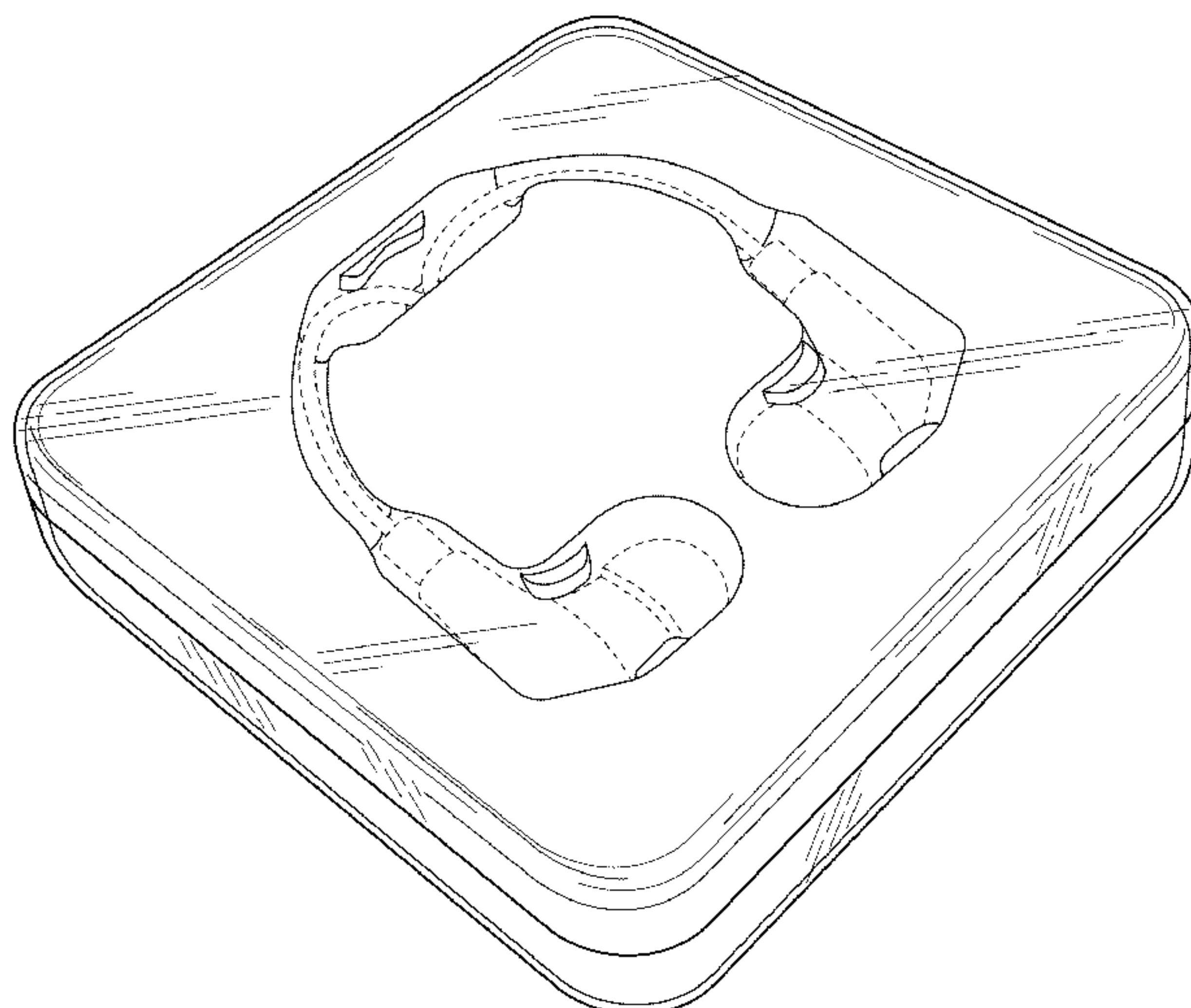
FIG. 7 is a bottom view of the transparent display case for
earbuds of FIG. 1;

FIG. 8 is a parts-separated view of the transparent display
case for earbuds of FIG. 1; and,

FIG. 9 is an isometric view of the transparent display case for
earbuds of FIG. 1, without any earbuds disposed therein.

With respect to the above-identified views, that portion(s)
shown in broken lines does not form part of the claimed
design and is provided for environmental purposes only.

1 Claim, 5 Drawing Sheets



(56)

References Cited

U.S. PATENT DOCUMENTS

D590,371 S 4/2009 Leinvuo
D601,884 S * 10/2009 Andre et al. D9/430
D604,605 S * 11/2009 Chung et al. D9/432
D624,316 S 9/2010 Ferber et al.
D644,510 S * 9/2011 Fine et al. D9/426
D662,812 S * 7/2012 Kurita et al. D9/415
D668,143 S * 10/2012 Akana et al. D9/424
D672,660 S * 12/2012 Vural D9/721
D686,065 S * 7/2013 Kuo et al. D9/432
D706,643 S * 6/2014 Akana et al. D9/721
D709,385 S * 7/2014 Vural D9/721

D709,758 S * 7/2014 Burdock-Latter et al. D9/418
2009/0285436 A1 11/2009 Lowry
2010/0104126 A1 4/2010 Greene

OTHER PUBLICATIONS

Apple, Advertisement for EarPods, Earphones, Headphones, Headset with Remote and Mic, available for sale on Oct. 13, 2013, retrieved from http://www.newegg.com/Product/Product.aspx?Item=9SIA1U414N5614&nm_mc=KNC-GoogleMKP&cm_mmc=KNC-GoogleMKP-_-pla-_-All+Wired+Headsets+%26+Speakers-_-9SIA1U414N5614.

* cited by examiner

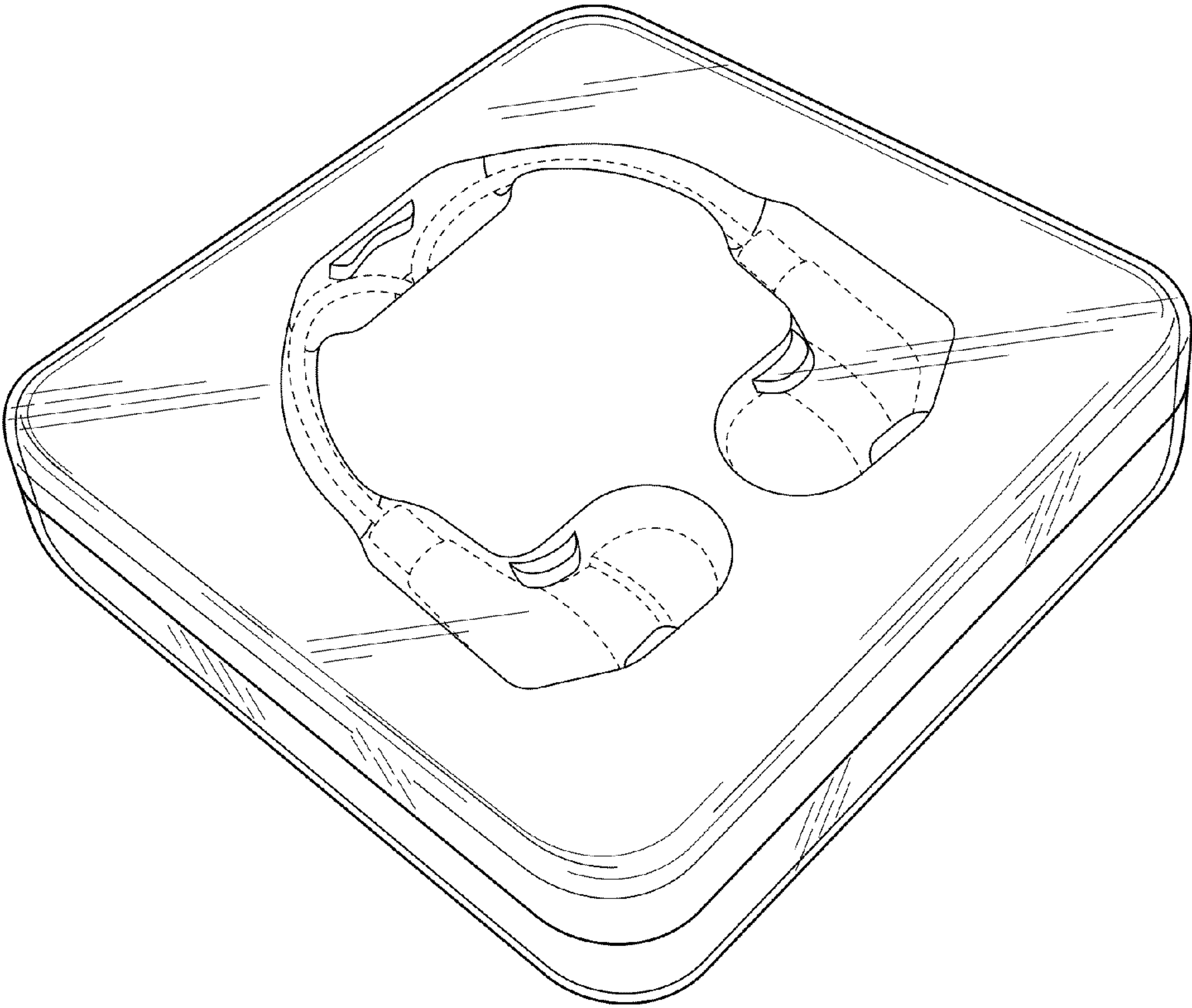


FIG. 1

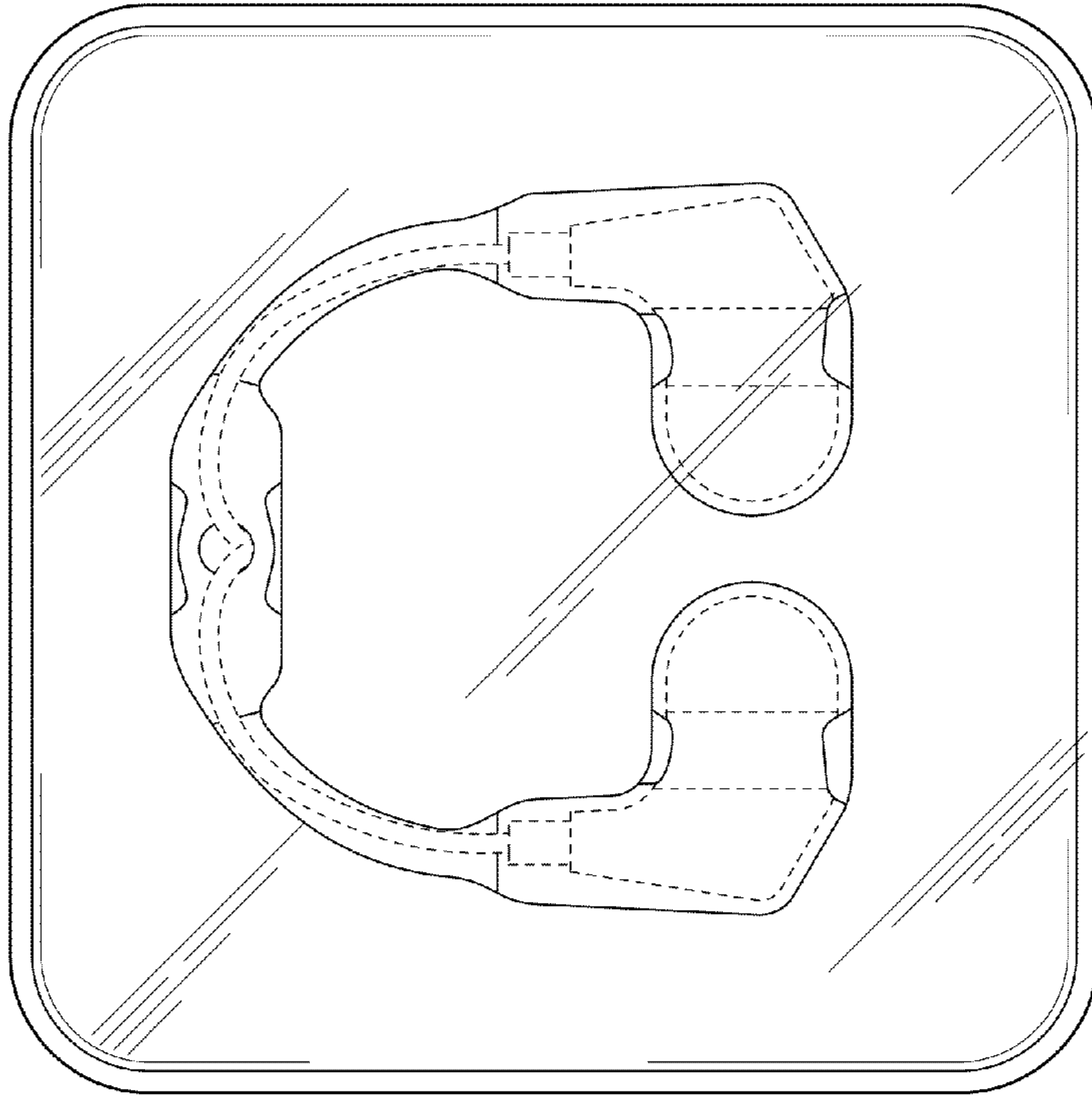


FIG. 2

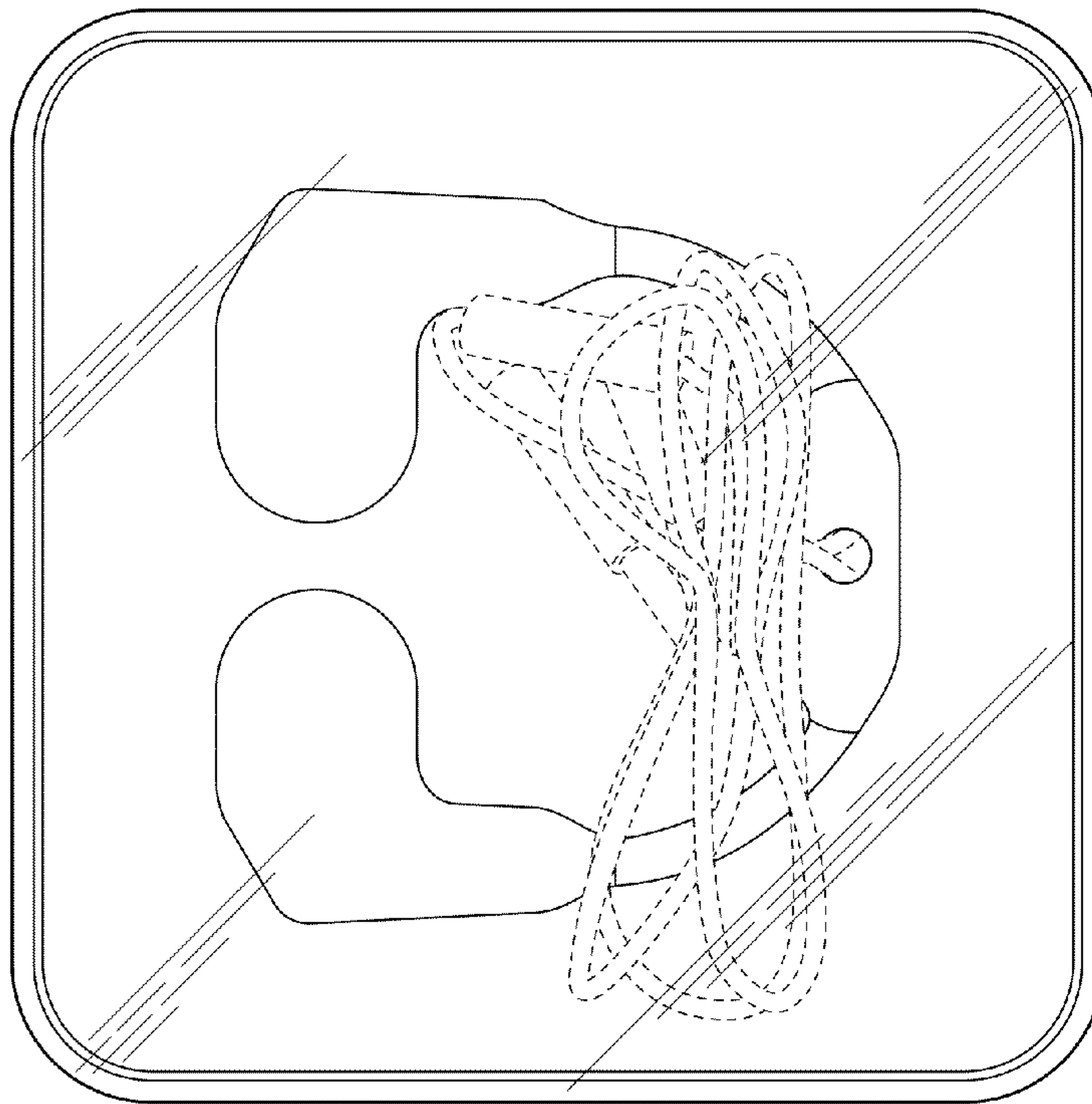


FIG. 3

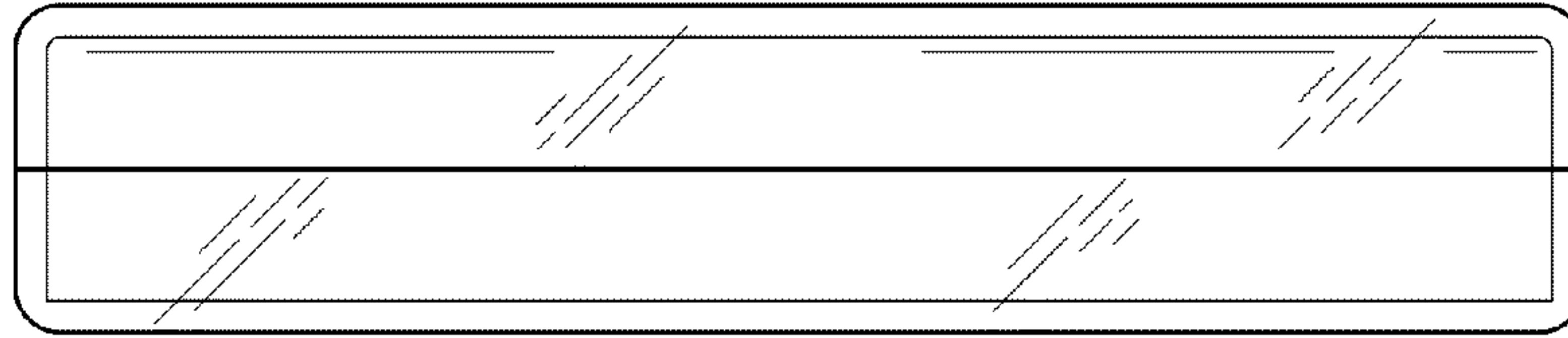


FIG. 4

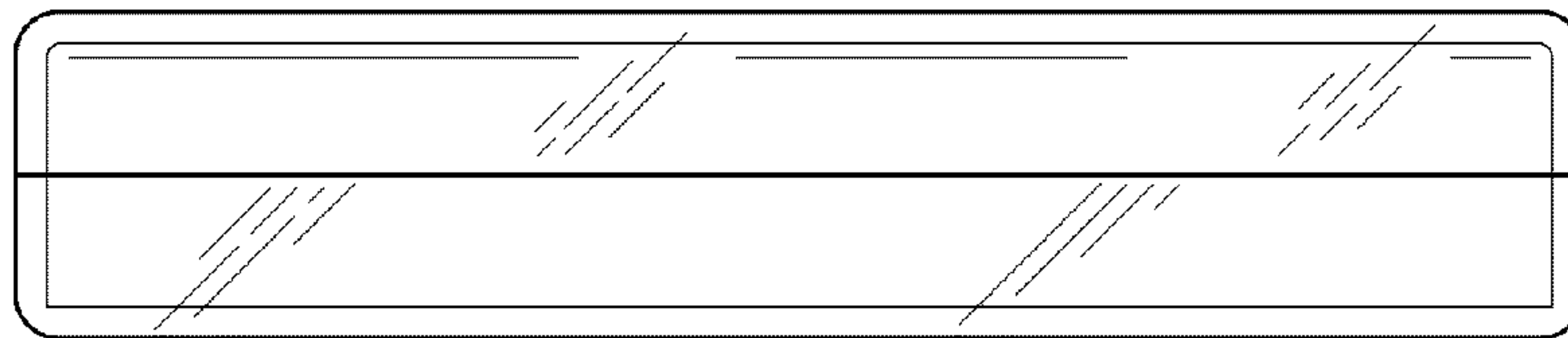


FIG. 5

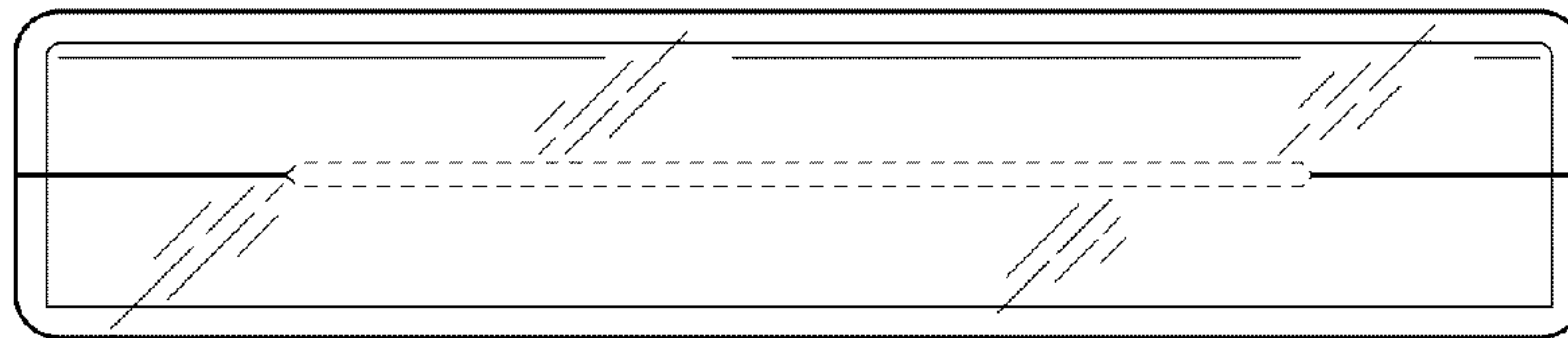


FIG. 6

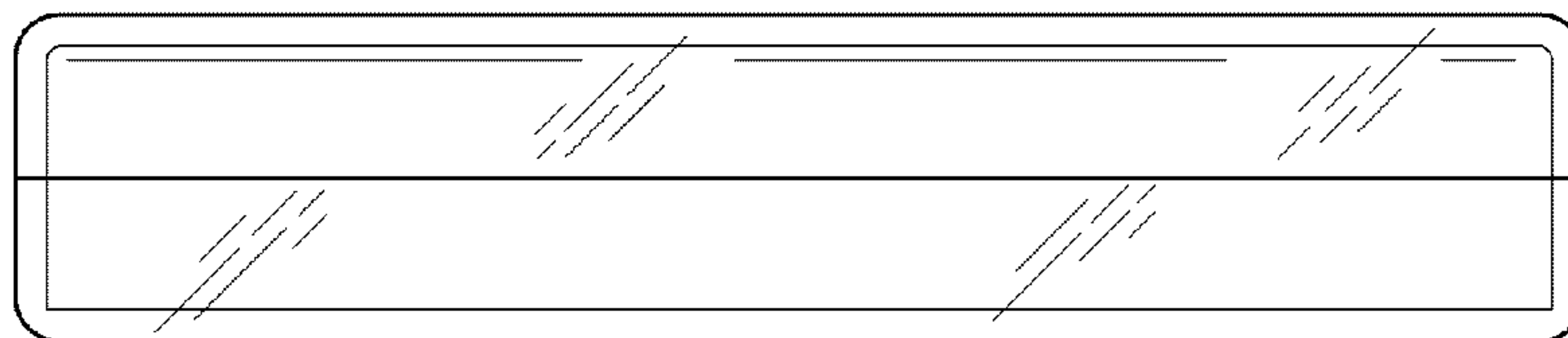


FIG. 7

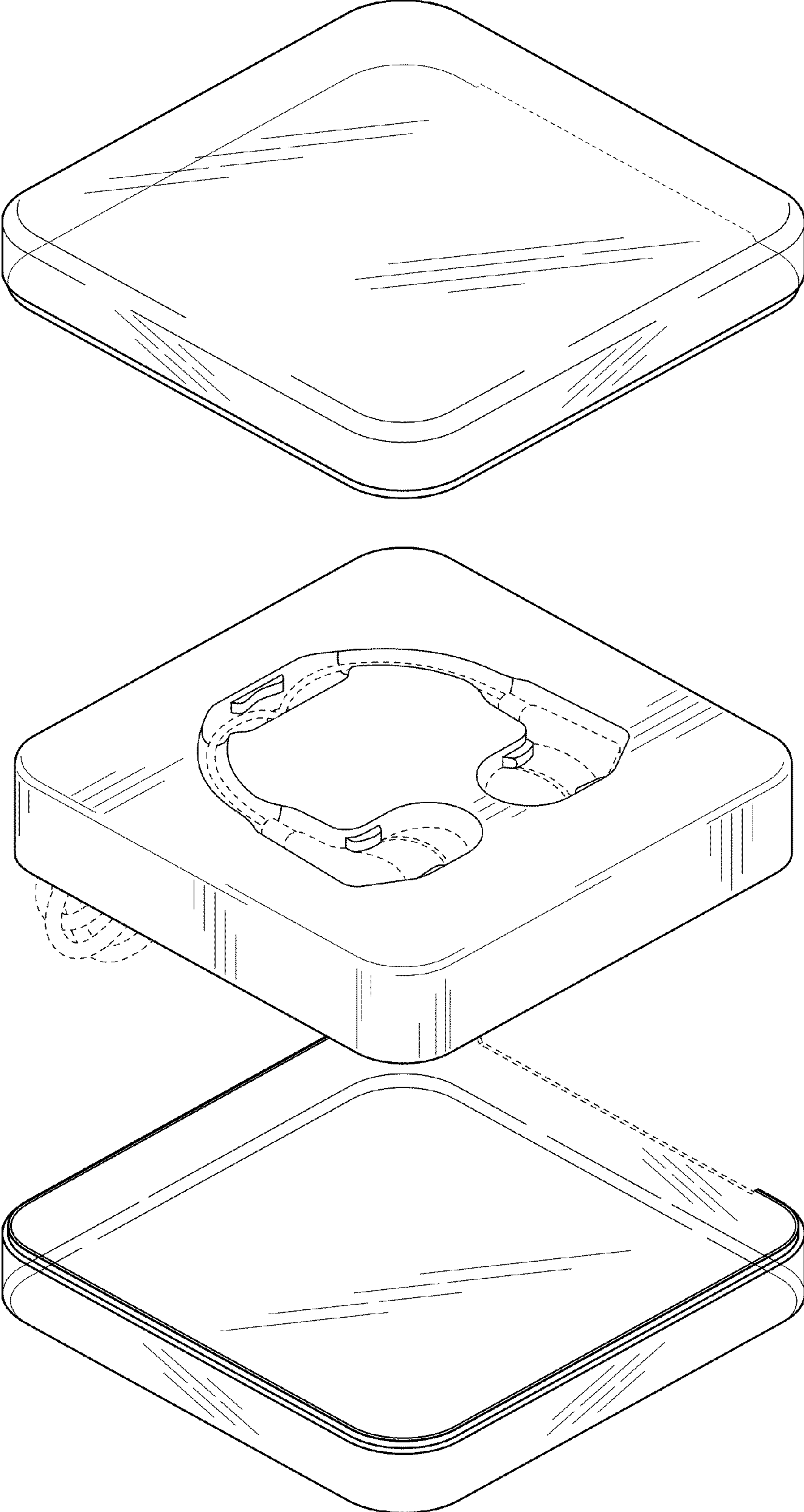


FIG. 8

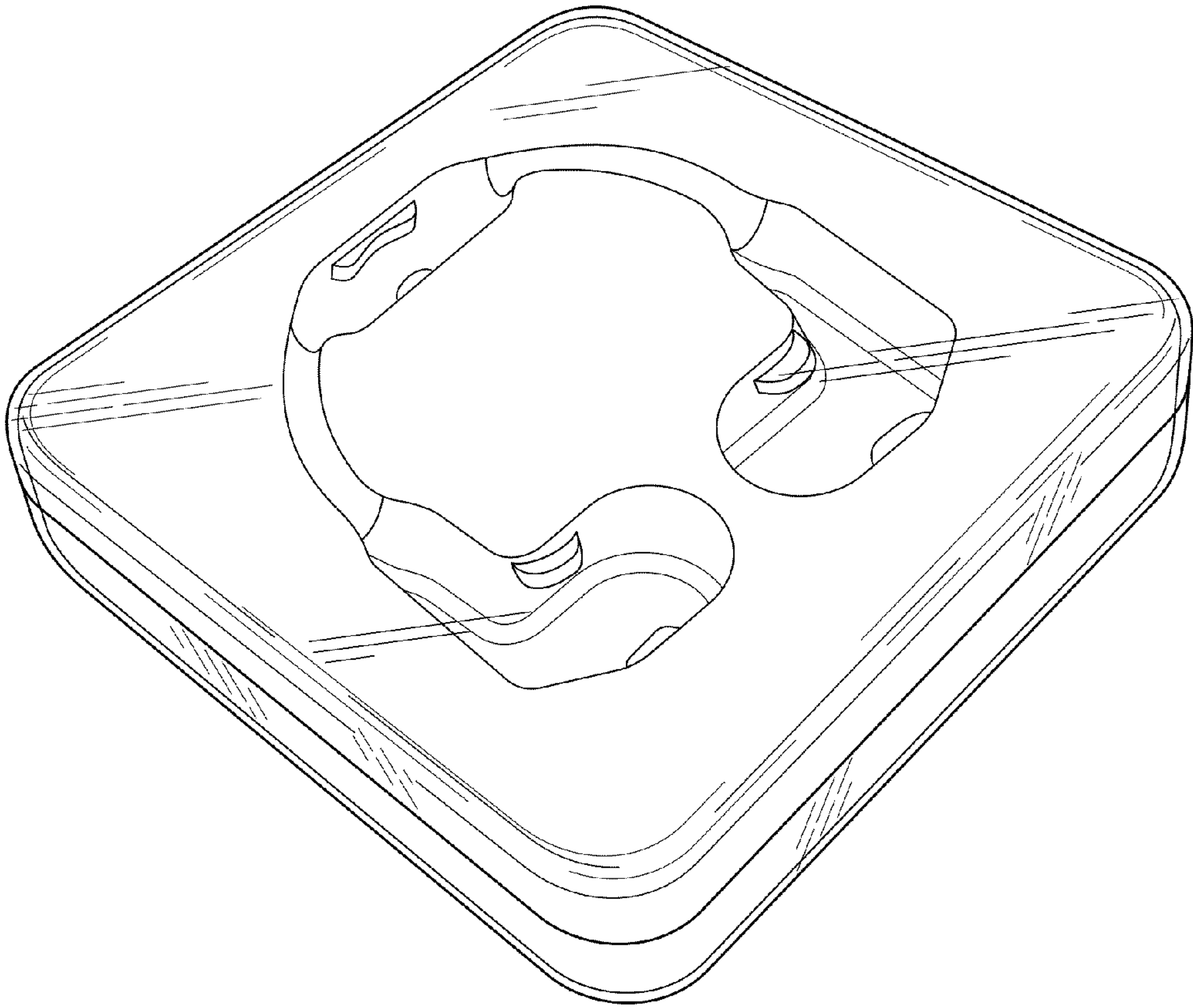


FIG. 9