

US00D722263S

(12) **United States Design Patent**
Musi Navarro

(10) **Patent No.:** **US D722,263 S**

(45) **Date of Patent:** **** Feb. 10, 2015**

(54) **ICE CREAM CONTAINER HOLDER**

(76) Inventor: **David Alberto Musi Navarro, Garcia**
(MX)

(**) Term: **14 Years**

(21) Appl. No.: **29/415,604**

(22) Filed: **Mar. 13, 2012**

(51) **LOC (10) Cl.** **09-03**

(52) **U.S. Cl.**
USPC **D9/424**

(58) **Field of Classification Search**
USPC D9/414, 420, 422, 424, 425, 428, 432,
D9/433, 502, 500, 737, 761; D7/546,
D7/500.1, 553.6, 500, 553.5, 554.2, 555,
D7/586, 587, 601, 602; 206/261, 263, 499,
206/549, 561, 562, 563, 564; 220/574, 675,
220/669, 670; 229/101.1, 102.5, 110
See application file for complete search history.

(56) **References Cited**

U.S. PATENT DOCUMENTS

2,085,238 A * 6/1937 Towell 229/102.5
4,248,901 A * 2/1981 Austin 426/119
D384,275 S * 9/1997 DuBois et al. D9/755
D398,481 S * 9/1998 Brown et al. D7/554.2
D671,369 S * 11/2012 Shimizu et al. D7/586

D675,064 S * 1/2013 Mayer D7/543
2005/0040174 A1 * 2/2005 Costello et al. 220/670

* cited by examiner

Primary Examiner — Derrick Holland

Assistant Examiner — Lauren Calve

(74) *Attorney, Agent, or Firm* — Law Office of Shannon Warren, PLLC; Shannon L Warren

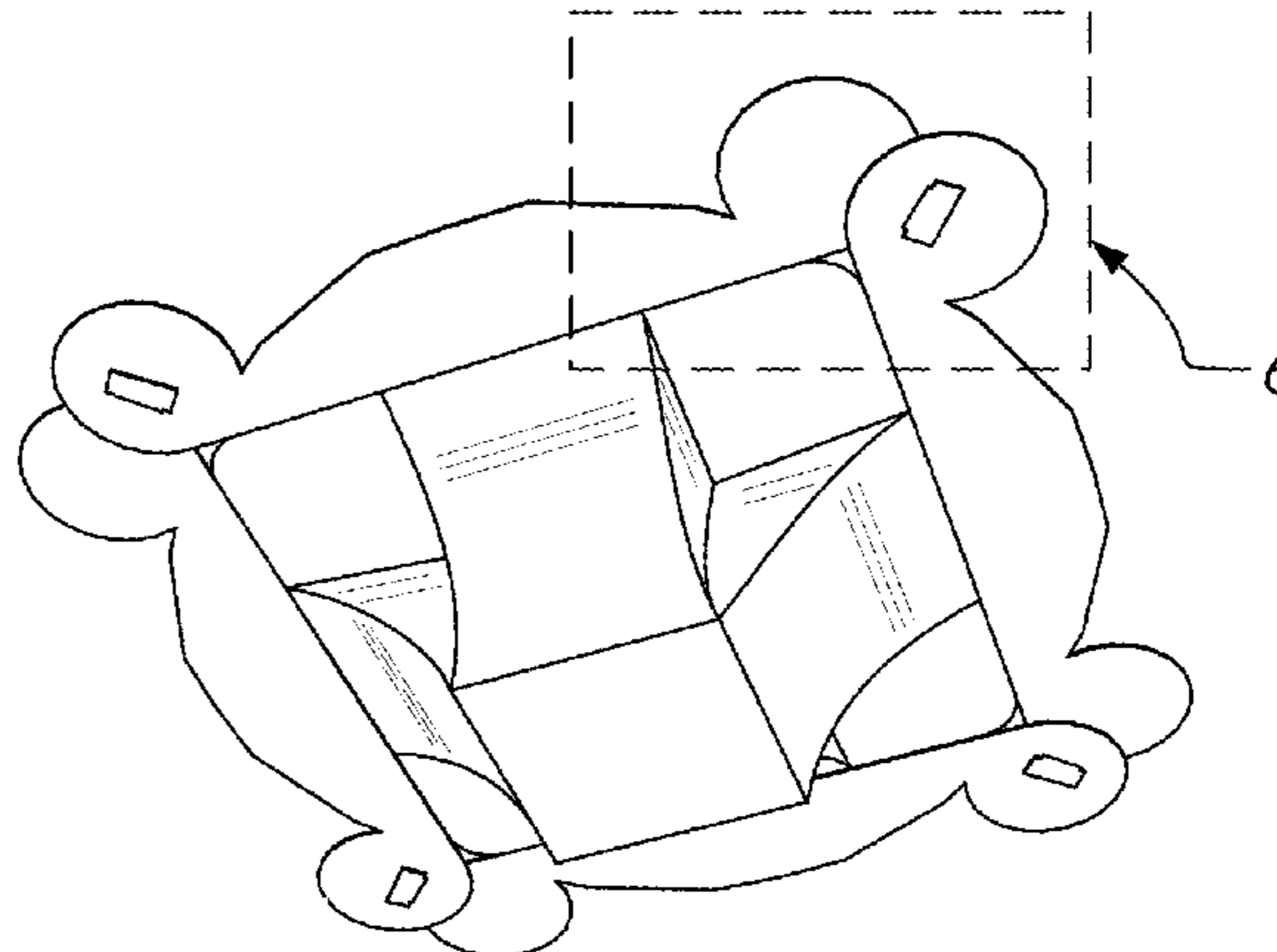
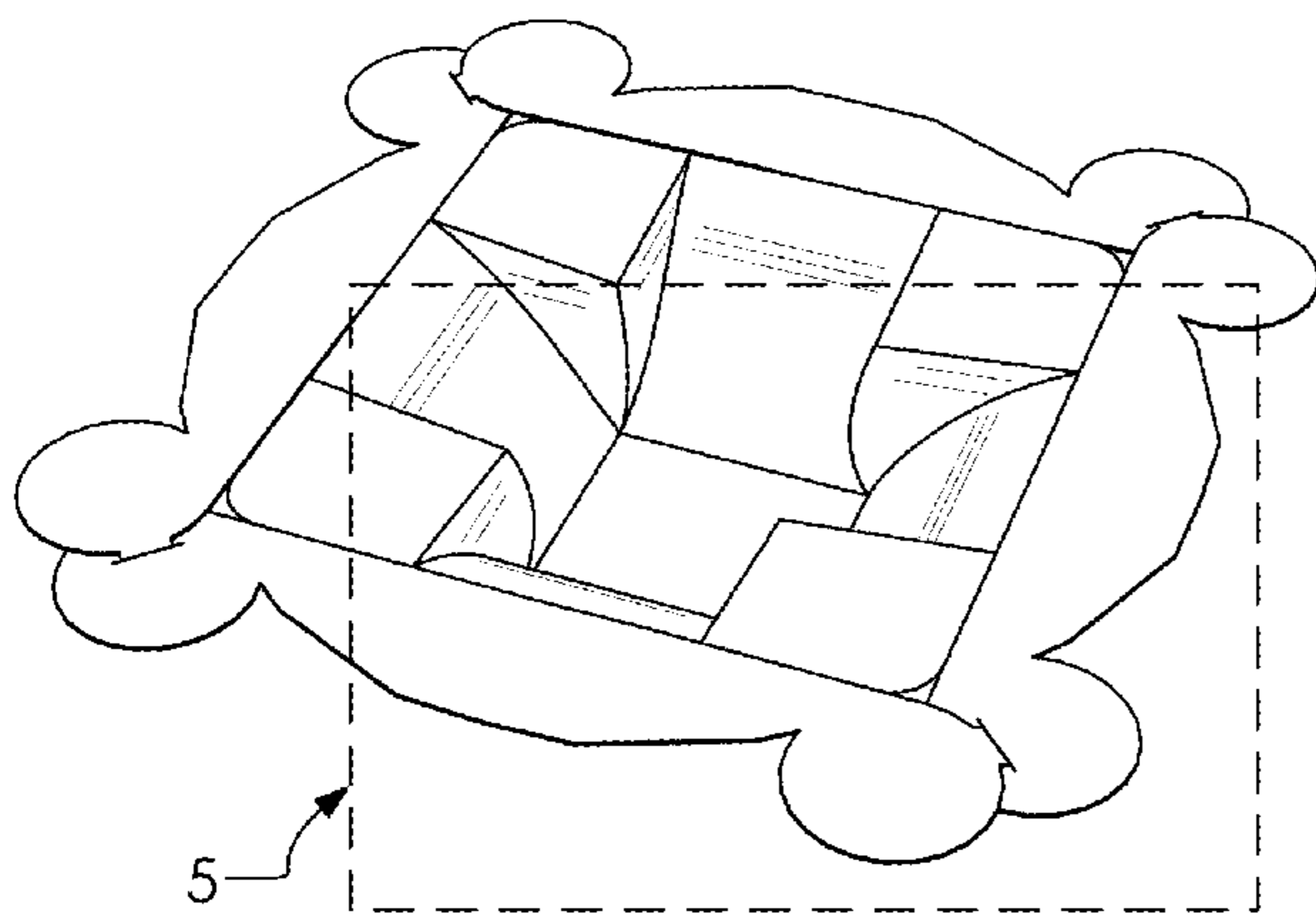
(57) **CLAIM**

The ornamental design for an ice cream container holder, as shown.

DESCRIPTION

FIG. 1 is a top view of an ice cream container holder.
FIG. 2 is a front view thereof.
FIG. 3 is a top, front perspective view thereof.
FIG. 4 is a bottom, front perspective view thereof.
FIG. 5 is a partial enlarged view thereof according to the broken line boundary indicated by "5" in FIG. 3.
FIG. 6 is a partial enlarged view thereof according to the broken line boundary indicated by "6" in FIG. 4.
FIG. 7 is a top, front perspective view thereof shown in an environmental state; and,
FIG. 8 is a top, front perspective view thereof shown in a second environmental state.
The broken lines shown in FIGS. 7 and 8 represent unclaimed subject matter and form no part of the claimed design.
The broken lines shown in FIGS. 3-6 represent boundaries around portions of the claim that have been enlarged for clarity and form no part of the claimed design.

1 Claim, 4 Drawing Sheets



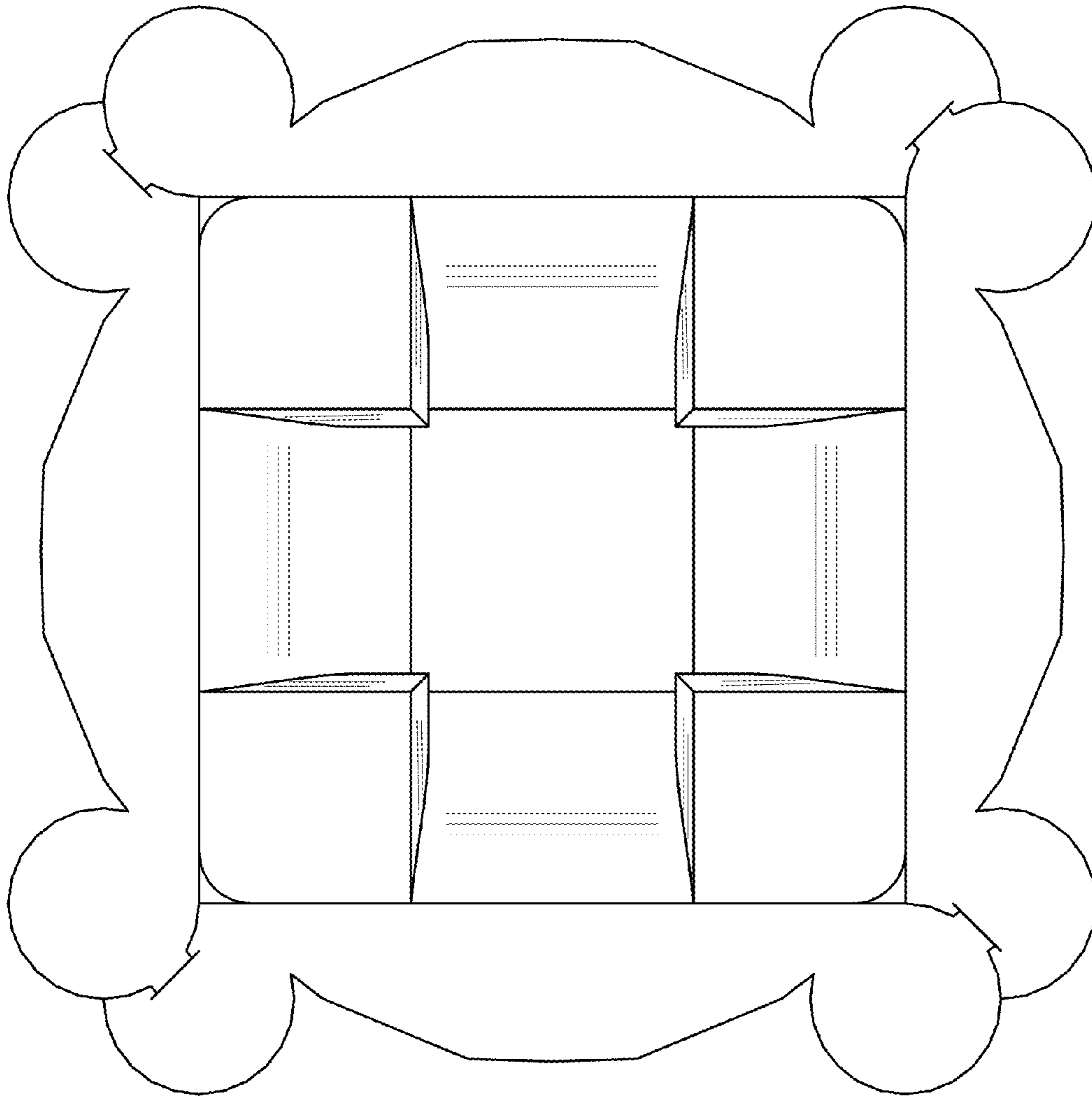


Fig. 1

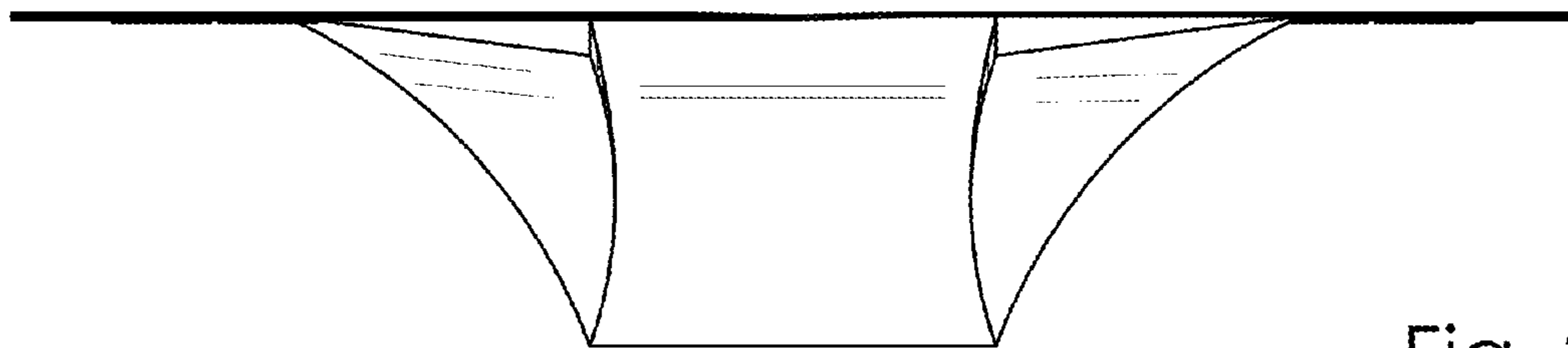


Fig. 2

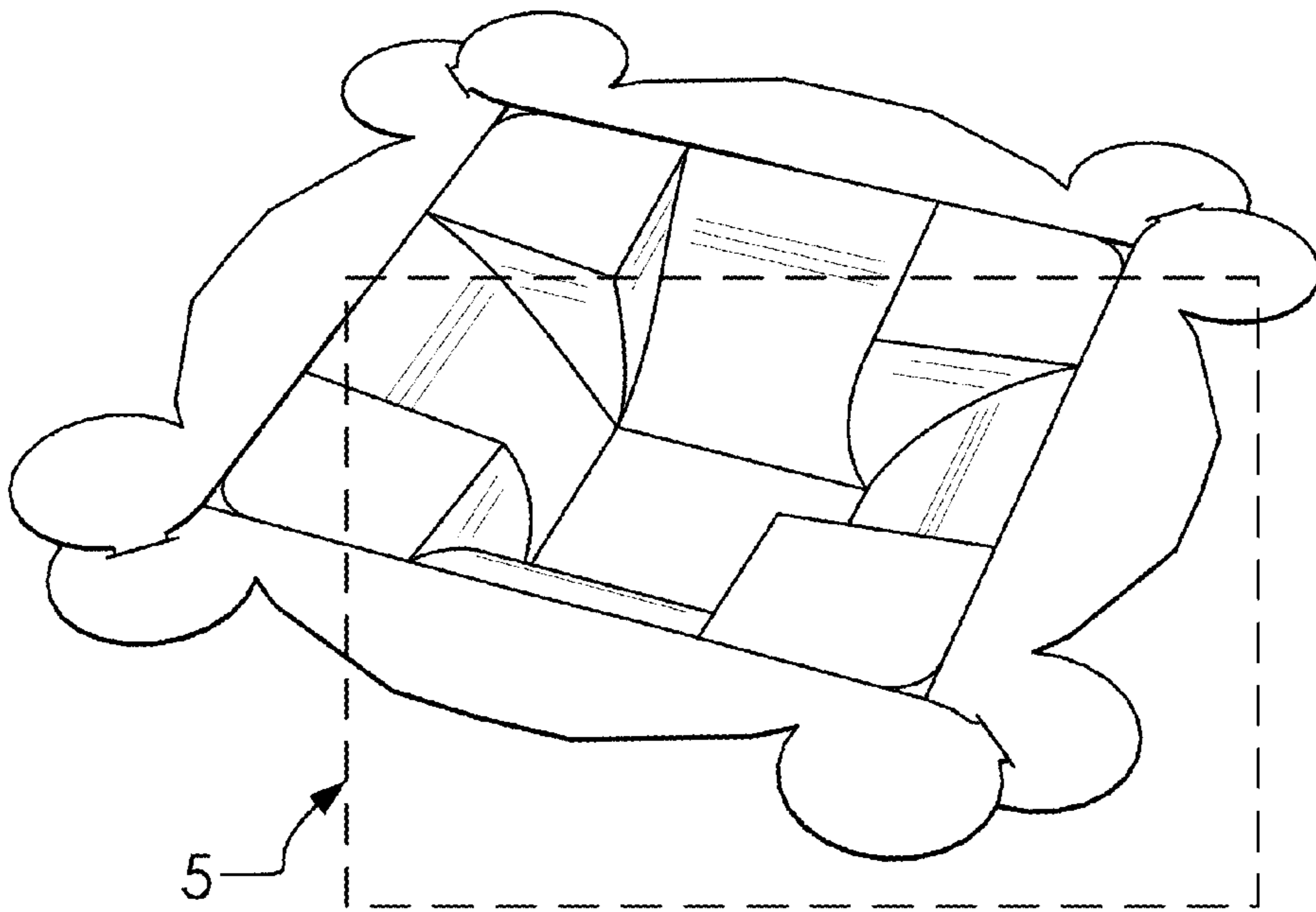


Fig. 3

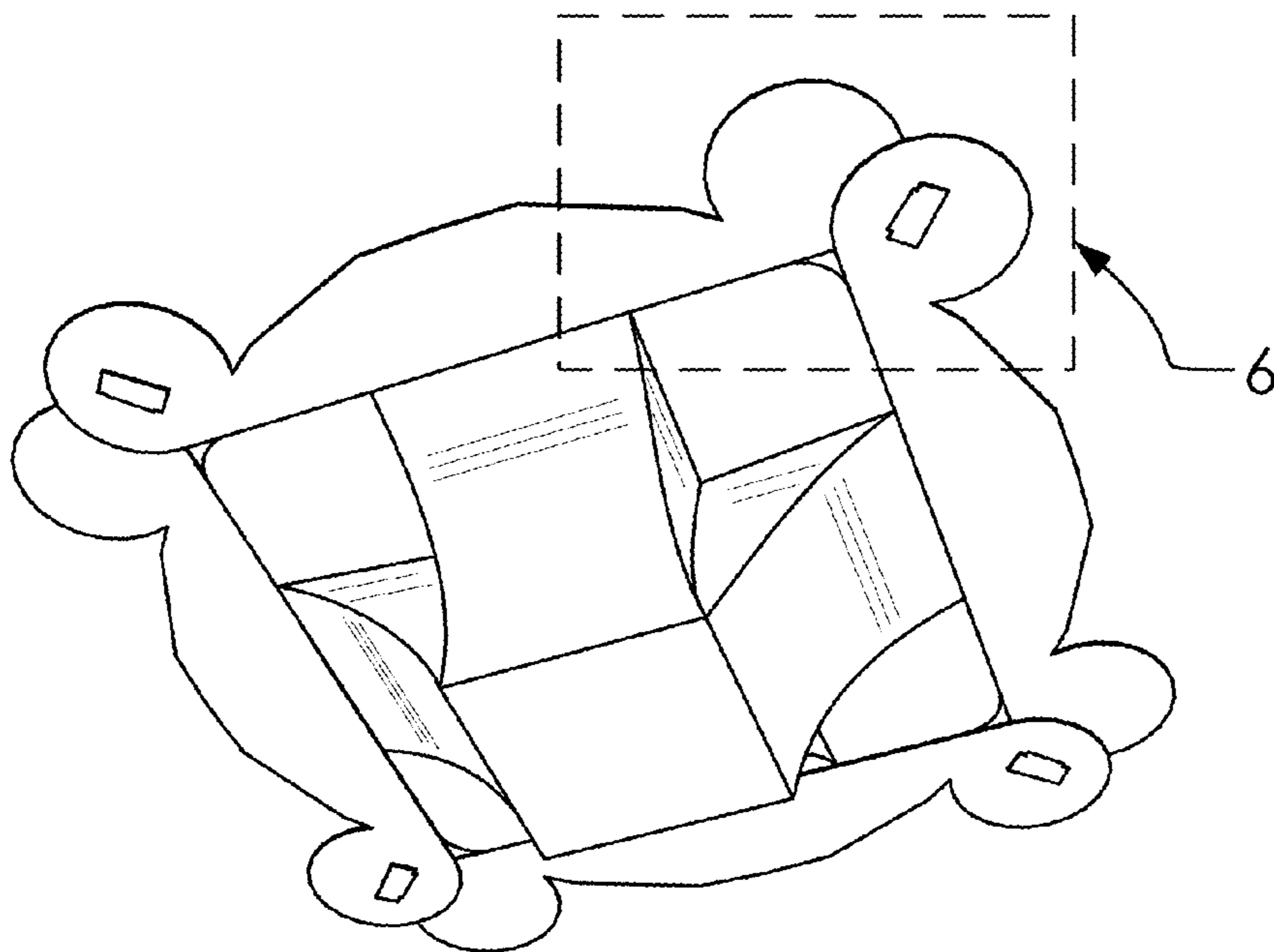


Fig. 4

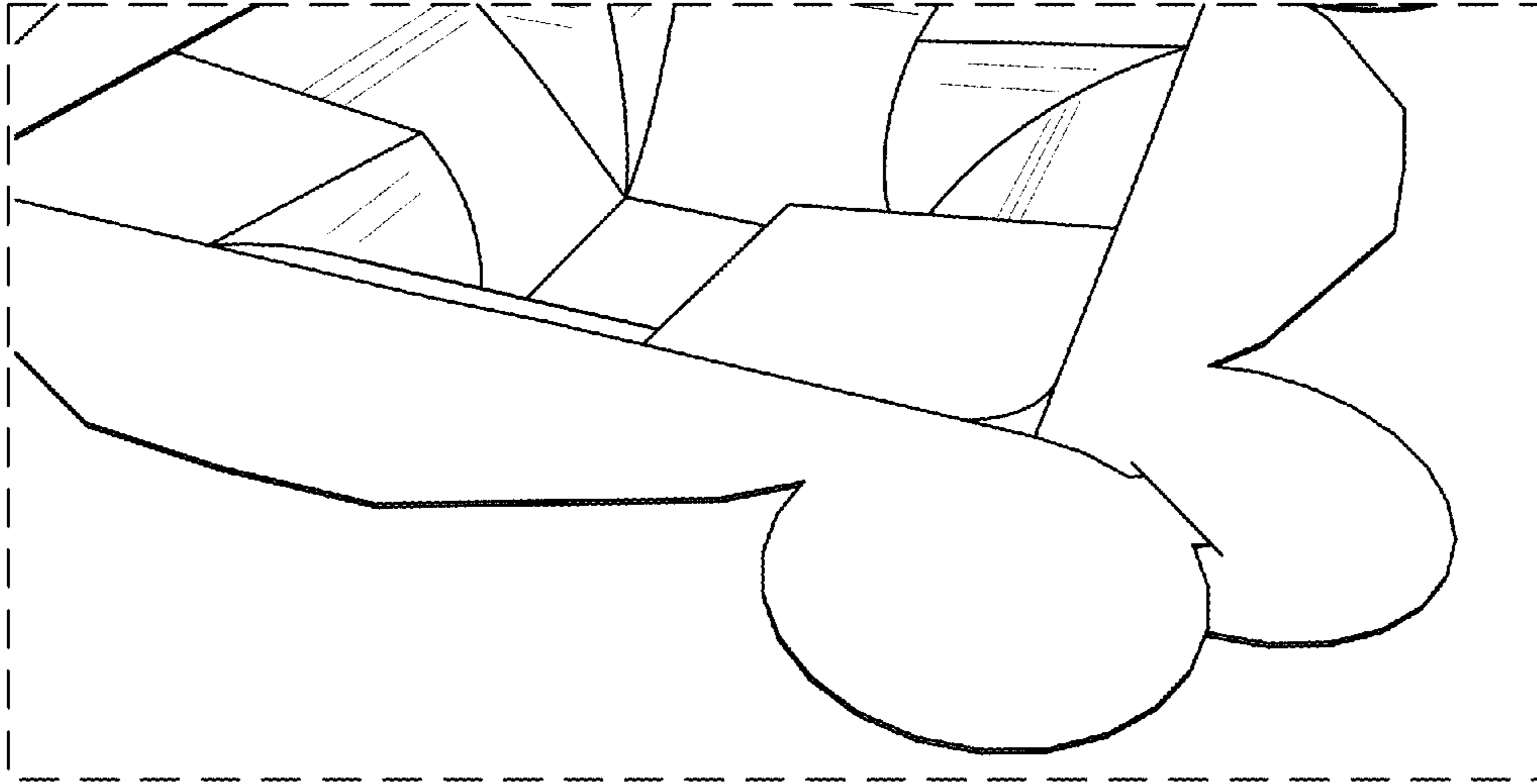


Fig. 5

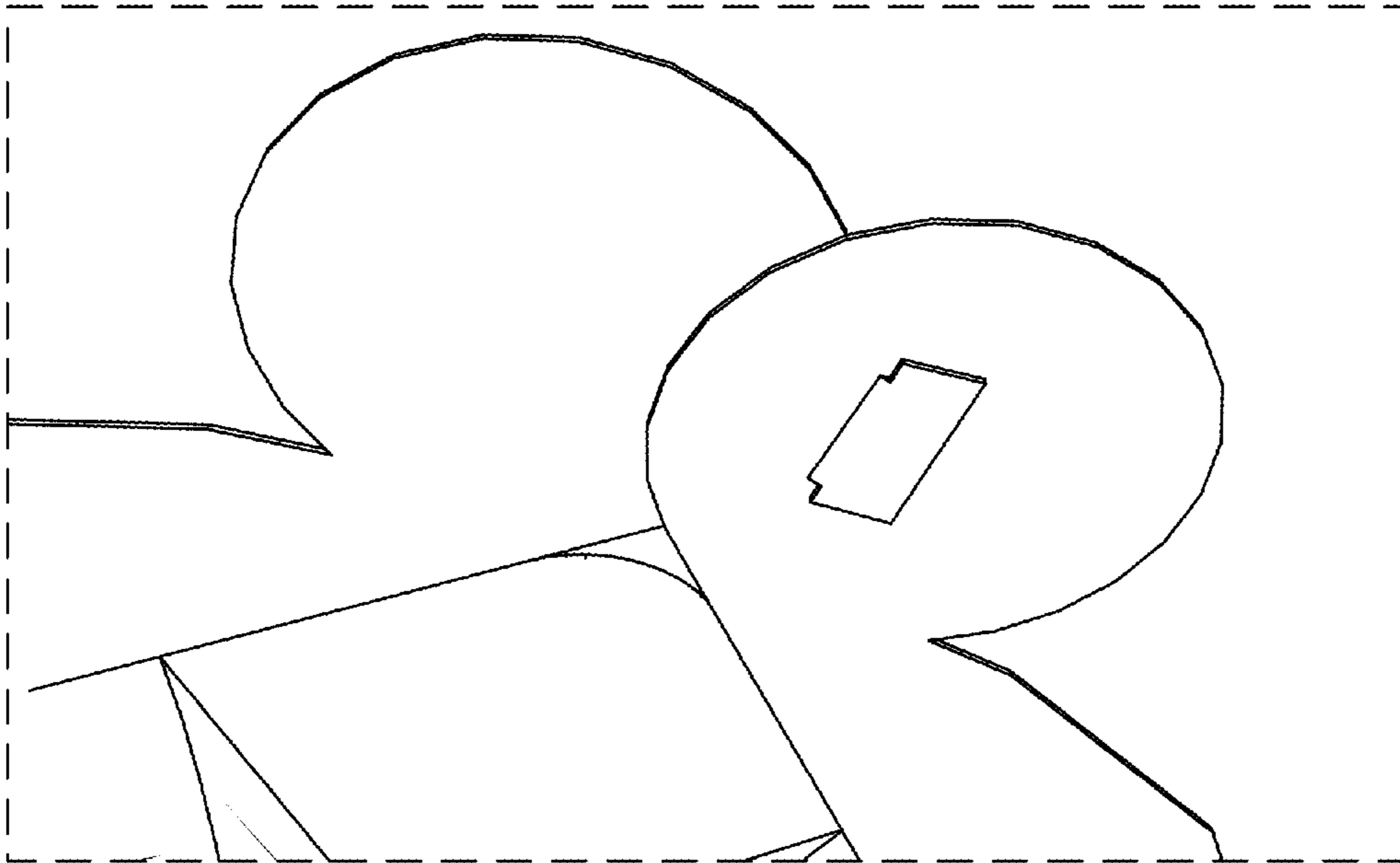


Fig. 6

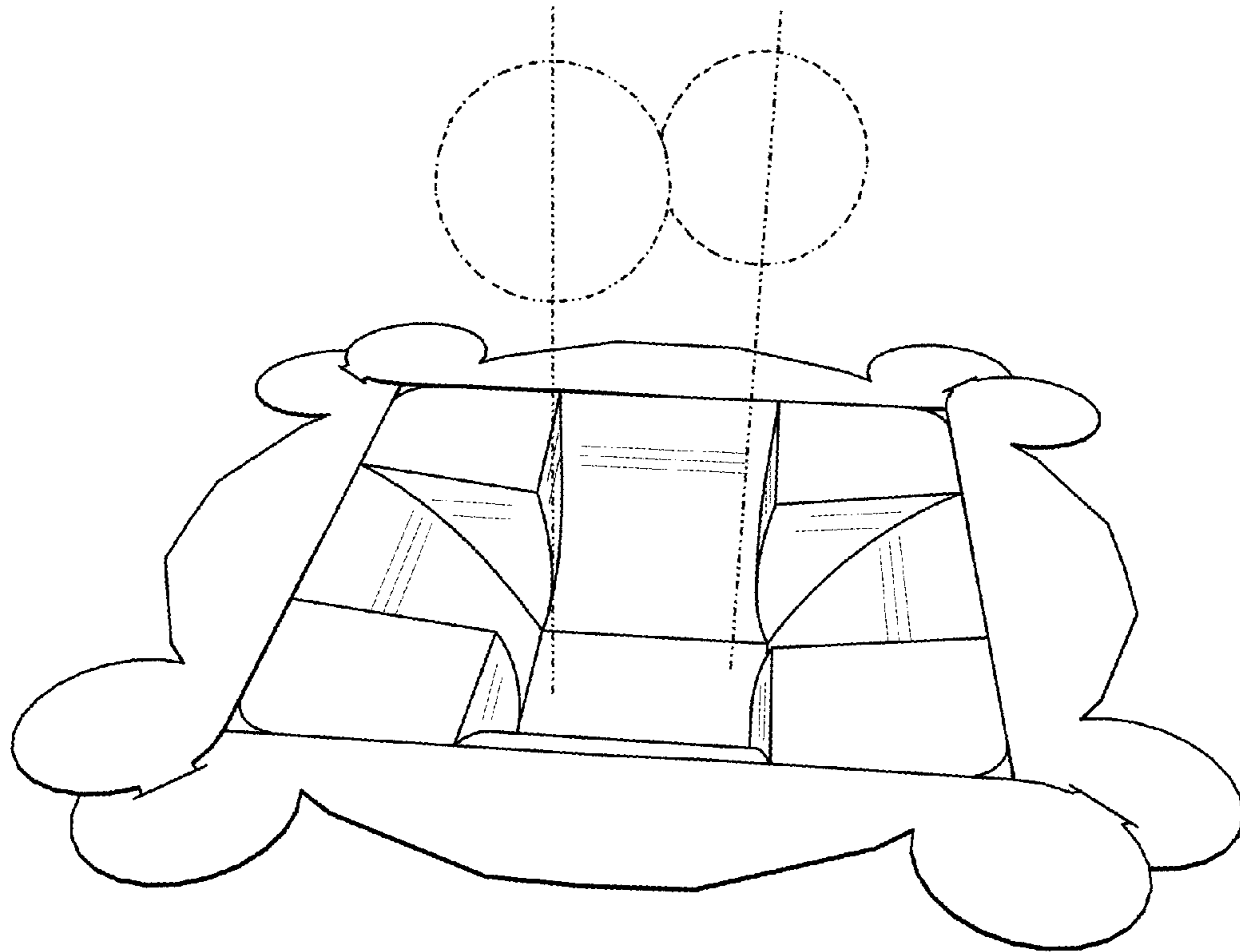


Fig. 7

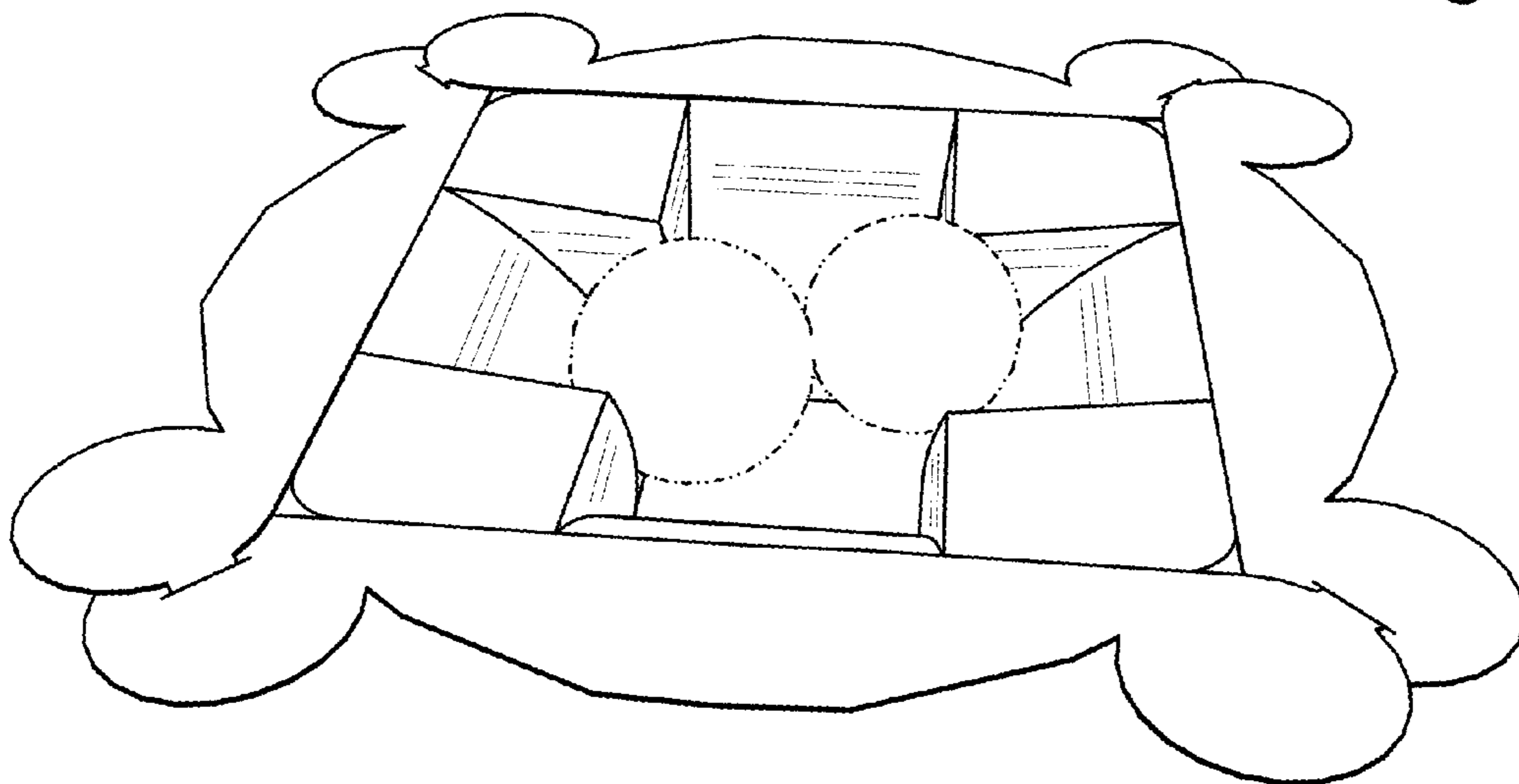


Fig. 8