

US00D722262S

(12) **United States Design Patent**
Stevens

(10) **Patent No.:** **US D722,262 S**
(45) **Date of Patent:** **** Feb. 10, 2015**

(54) **LOCK**
(71) Applicant: **Master Lock Company LLC**, Oak Creek, WI (US)
(72) Inventor: **Scott Stevens**, St. Francis, WI (US)
(73) Assignee: **Master Lock Company LLC**, Oak Creek, WI (US)
(**) Term: **14 Years**

1,777,424 A 10/1930 Atkins
D238,548 S 1/1976 Seakan
4,085,600 A 4/1978 Bindari
D295,719 S 5/1988 DeLuca et al.
4,918,949 A 4/1990 Newbold
4,918,951 A 4/1990 Kavizky
D32,638 S 5/1990 Voight
5,101,646 A 4/1992 Goldman et al.
5,142,888 A 9/1992 Ling
5,194,845 A 3/1993 Sirmon et al.
5,195,340 A 3/1993 Huang

(Continued)

(21) Appl. No.: **29/480,233**
(22) Filed: **Jan. 24, 2014**

OTHER PUBLICATIONS

Master Lock, No. 8118 U-Lock Product Description, Master Lock web site, 2003.

(Continued)

Related U.S. Application Data

(62) Division of application No. 29/430,596, filed on Aug. 28, 2012, now Pat. No. Des. 701,105.
(51) **LOC (10) Cl.** **08-07**
(52) **U.S. Cl.**
USPC **D8/334; D8/333**
(58) **Field of Classification Search**
USPC D8/330, 331, 333, 343, 339, 336, 349, D8/334, 354; 70/14-16, 18, 57, 25, 158, 70/163-168, 233, 38 A, 38 C, 23, 20, 30, 70/51, 57.1, 202, 203, 431, 448, 465, 466; 292/288, 290, 340
See application file for complete search history.

Primary Examiner — Prabhakar Deshmukh
(74) *Attorney, Agent, or Firm* — Calfee, Halter & Griswold LLP

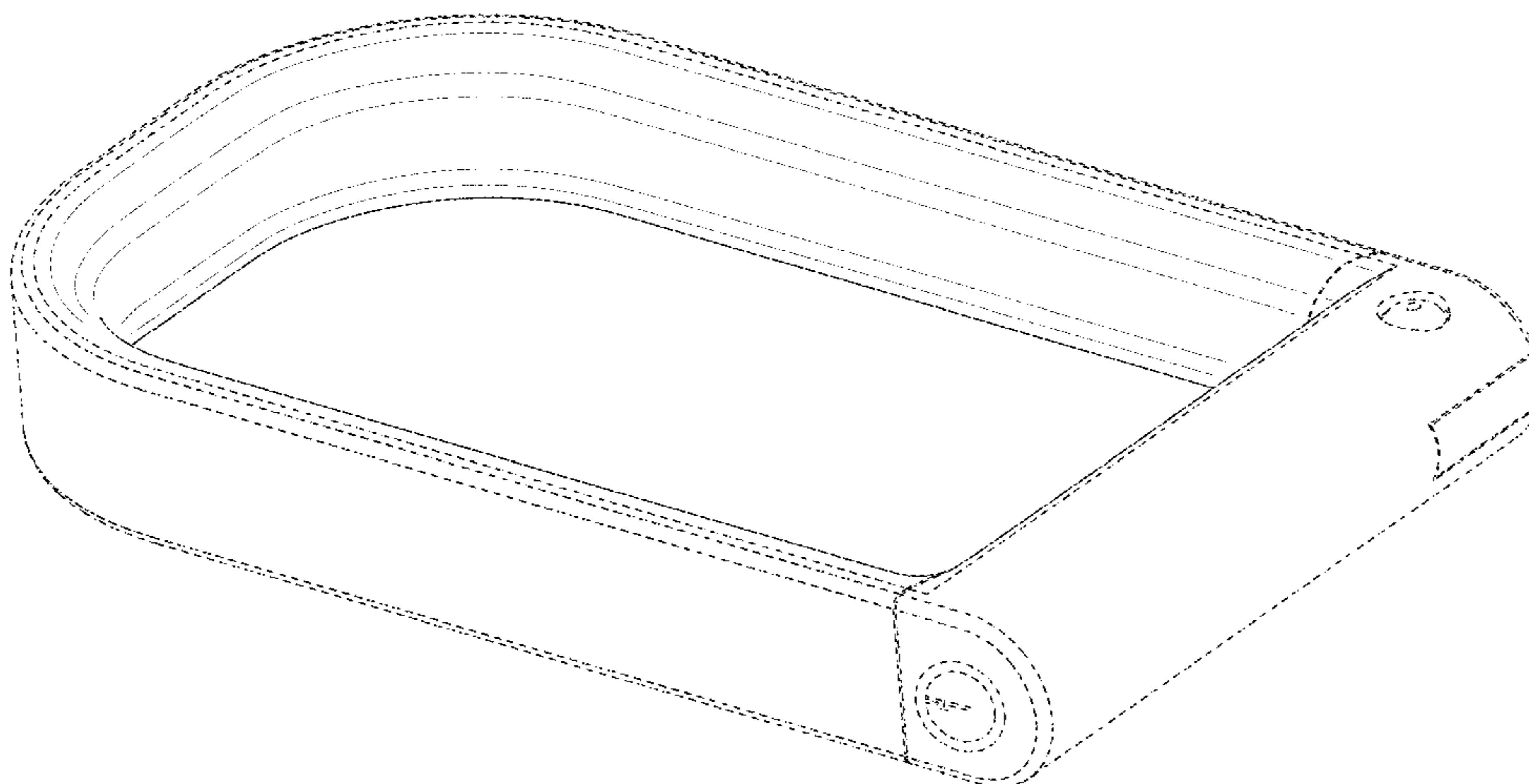
(57) **CLAIM**
I claim the ornamental design for a lock, as shown and described.

DESCRIPTION

FIG. 1 is a front perspective view of a lock showing my new design;
FIG. 2 is a front elevational view thereof;
FIG. 3 is a rear elevational view thereof;
FIG. 4 is a right side elevational view thereof;
FIG. 5 is a left side elevational view thereof;
FIG. 6 is a top plan view thereof; and,
FIG. 7 is a bottom plan view thereof.
The broken lines adjacent to the shade lines form a boundary of the design. Other broken lines illustrate the unclaimed portions of the design. None of the broken lines form no part of the claimed design.

(56) **References Cited**
U.S. PATENT DOCUMENTS
D21,821 S 8/1892 Judd
526,740 A 10/1894 Rapaport
661,560 A 11/1900 Stall
666,231 A 1/1901 Lawson
767,004 A 8/1904 Muchowicz
1,016,455 A 2/1912 Stone
1,629,388 A 5/1927 Jackson
1,667,254 A 4/1928 Hedrich
1,688,208 A 10/1928 Del Rosso

1 Claim, 5 Drawing Sheets



(56)

References Cited

U.S. PATENT DOCUMENTS

5,199,282 A 4/1993 Wang
 5,253,496 A 10/1993 Wang
 5,331,830 A 7/1994 Su
 D352,223 S 11/1994 Shieh
 5,372,019 A 12/1994 Hsiao
 5,398,529 A 3/1995 Goldman et al.
 5,400,624 A 3/1995 Shieh
 5,406,812 A 4/1995 Jaw
 5,417,092 A 5/1995 Iu
 5,488,845 A 2/1996 Hsieh
 5,505,064 A 4/1996 Wang
 5,640,861 A 6/1997 Chen
 5,678,431 A 10/1997 Yan
 5,678,435 A * 10/1997 Hodson 70/233
 5,823,021 A 10/1998 Chang
 5,832,752 A * 11/1998 Zeller 70/30
 5,832,762 A * 11/1998 McDaid 70/455
 6,026,663 A 2/2000 Tsung-Chuan et al.
 D427,503 S * 7/2000 Brockman et al. D8/334
 6,082,155 A * 7/2000 Su 70/22
 D430,787 S * 9/2000 Liu D8/333
 D449,485 S 10/2001 Clerc et al.
 6,341,509 B1 1/2002 McDaid
 D454,293 S 3/2002 Bremicker
 6,397,648 B1 6/2002 Morris et al.
 6,430,975 B1 8/2002 McDaid
 D467,819 S * 12/2002 Tang D10/30
 6,527,434 B1 * 3/2003 Fox et al. 368/276
 6,619,084 B2 9/2003 Kuo
 D484,777 S 1/2004 Ruan
 D488,368 S 4/2004 Vito
 D488,701 S 4/2004 Vito
 D491,951 S 6/2004 Yu et al.
 7,013,686 B1 3/2006 Chen

D520,339 S 5/2006 Heppner
 D529,786 S 10/2006 Heppner
 D533,435 S 12/2006 Kearns et al.
 D533,764 S 12/2006 Heppner
 D541,631 S 5/2007 Heppner
 D548,045 S 8/2007 Heppner
 D549,554 S 8/2007 Heppner
 D556,541 S 12/2007 Blomstrom et al.
 D563,200 S 3/2008 Nave et al.
 D564,339 S 3/2008 McDaid
 D572,113 S 7/2008 Saucedo
 D576,859 S 9/2008 Blomstrom et al.
 D576,860 S 9/2008 Blomstrom et al.
 D576,861 S 9/2008 Blomstrom et al.
 D576,862 S 9/2008 Blomstrom et al.
 D576,863 S 9/2008 Blomstrom et al.
 D576,864 S 9/2008 Blomstrom et al.
 D606,841 S 12/2009 Stevens
 7,770,419 B2 8/2010 Stone
 D686,485 S 7/2013 Taylor et al.

OTHER PUBLICATIONS

Master Lock 8174DLWPF U-Lock Product Description, Tessco web site, <https://www.tessco.com/products/displayProductInfo.do?sku=337312&eventPage=1>, 2011. 2 pages.
 Master Lock U Bar Bike Lock 8170D Product Description, <http://www.thetoolworkshop.com/masterlock8x4ubarbikelock8170d.aspx>, 2 pages.
 Crestock, Image 4527912:double padlock with chain; web site print-out; <http://www.crestock.com/image/4527912-double-padlock-witch-chain.aspx>, 1 page, 2010-2012.
 Master Lock, Solid Body Padlocks—No. M532XKADLH, Master Lock web site, 2013.

* cited by examiner

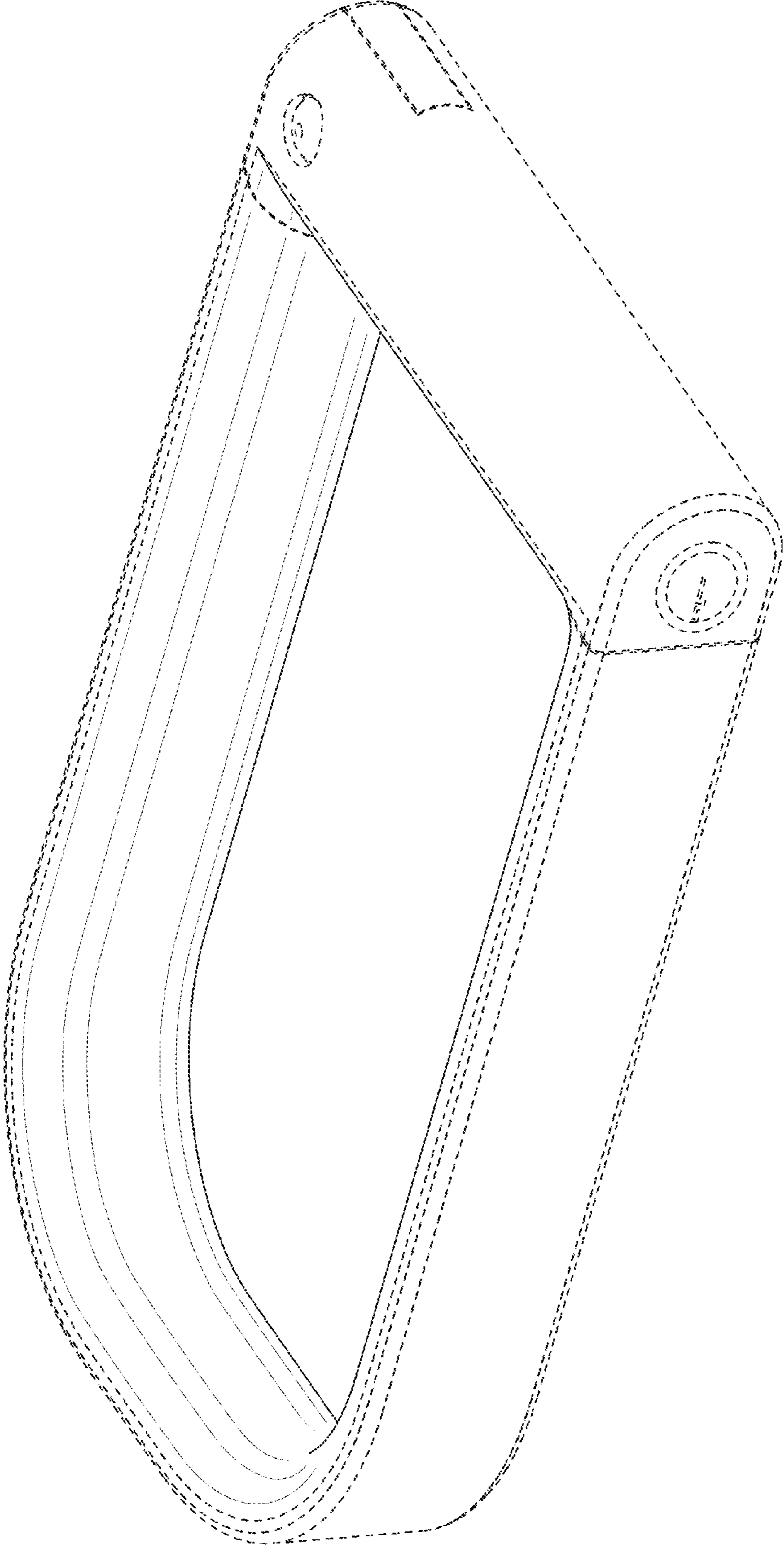


FIG. 1

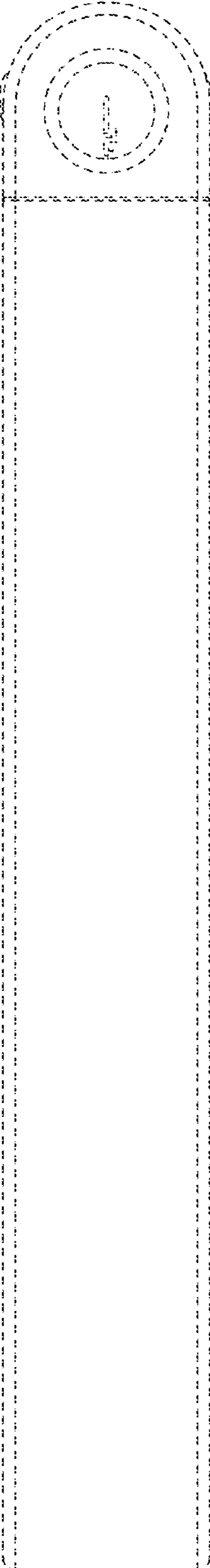


FIG. 2



FIG. 3

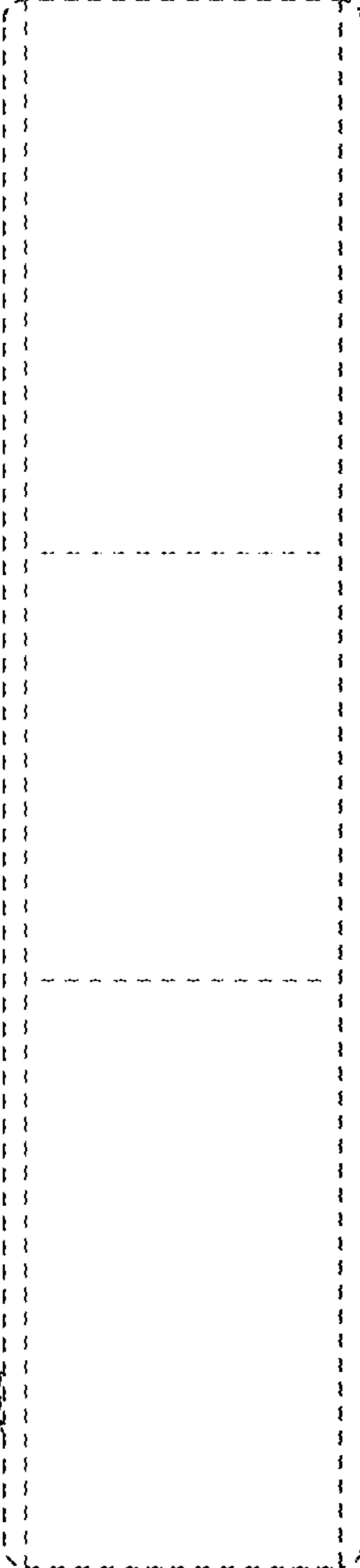


FIG. 4

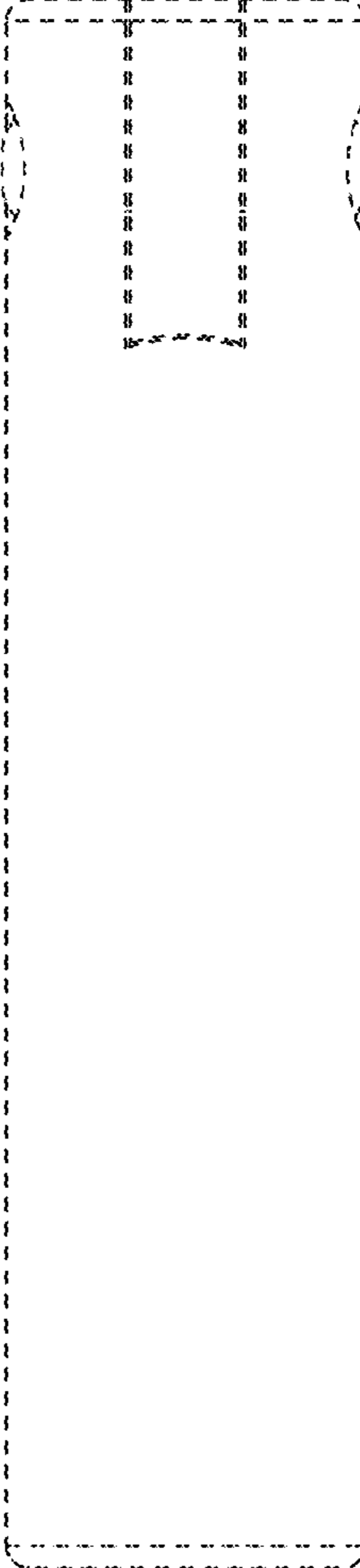


FIG. 5

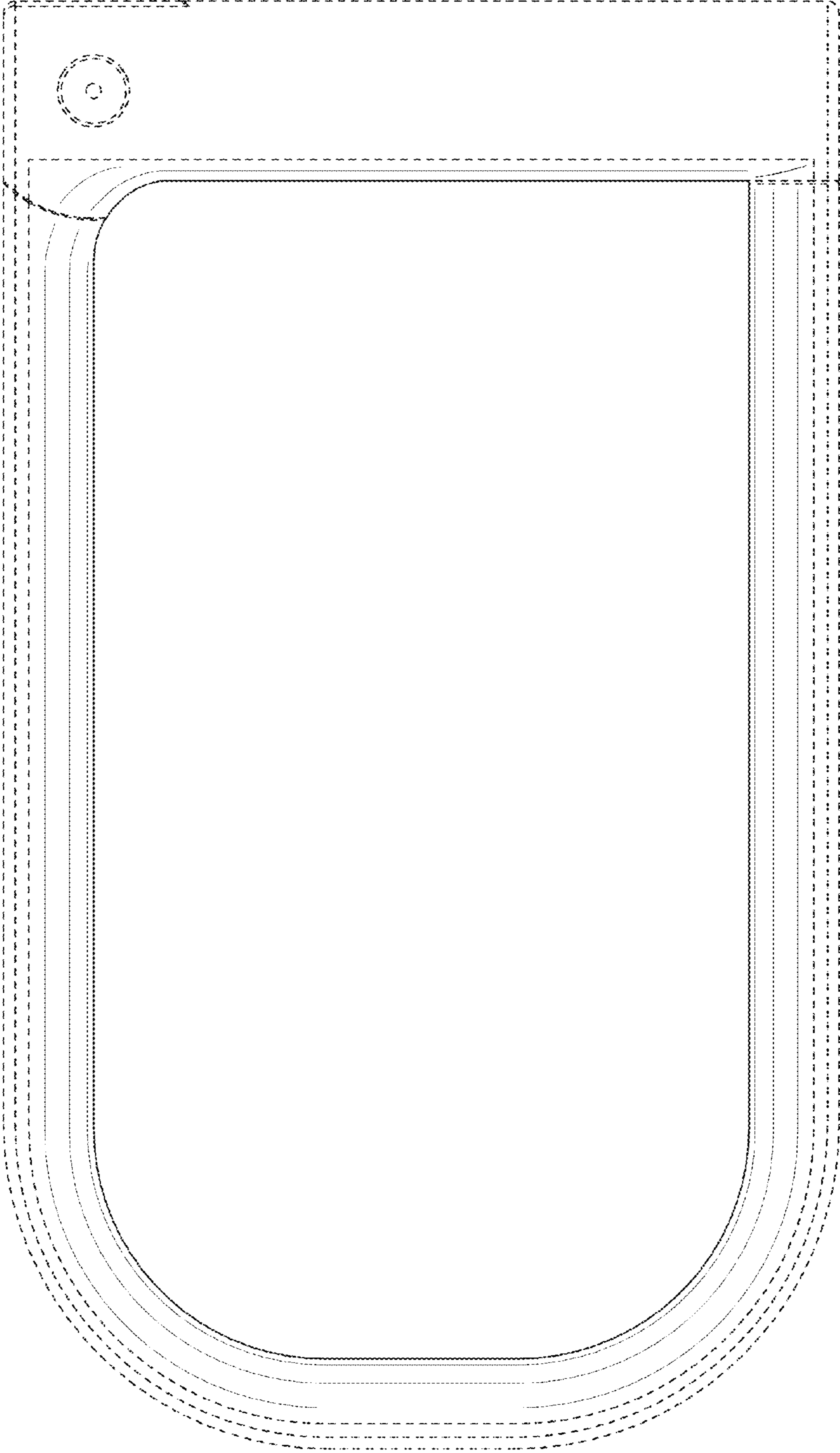


FIG. 6

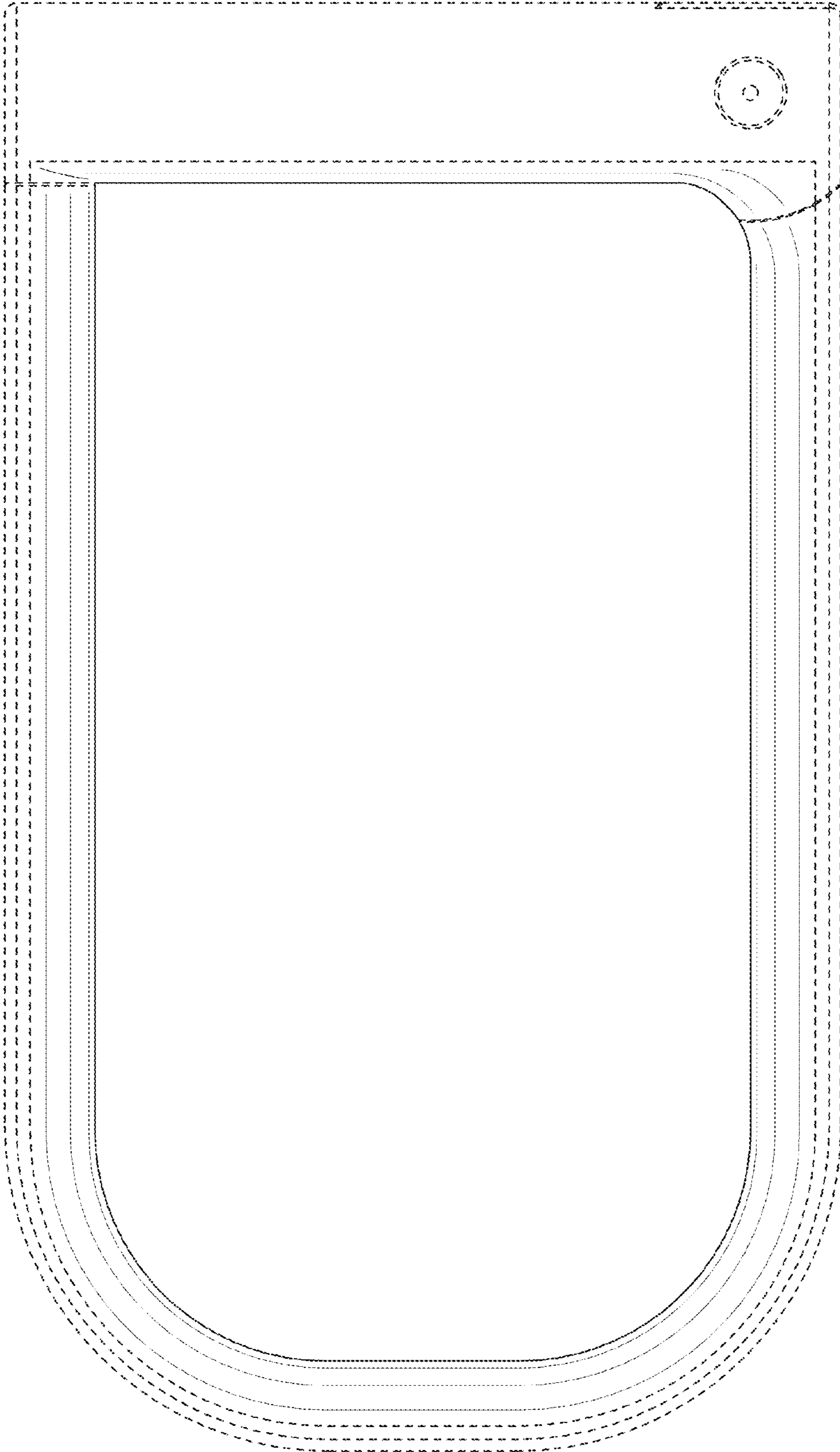


FIG. 7