



US00D722261S

(12) **United States Design Patent**
Myers et al.

(10) **Patent No.:** **US D722,261 S**

(45) **Date of Patent:** **** Feb. 10, 2015**

(54) **UNIVERSAL SPINDLE DOOR LATCH**

(71) Applicant: **Belwith Products, LLC**, Grandville, MI (US)

(72) Inventors: **Gary L. Myers**, Monee, IL (US); **Alyssa M. Nelson**, Crown Point, IN (US)

(73) Assignee: **Belwith Products, LLC**, Grandville, MI (US)

(**) Term: **14 Years**

(21) Appl. No.: **29/475,297**

(22) Filed: **Dec. 2, 2013**

(51) **LOC (10) Cl.** **08-07**

(52) **U.S. Cl.**
USPC **D8/331**

(58) **Field of Classification Search**
USPC D8/330, 331, 336, 339, 343, 349, 302, D8/354, 499; 70/14, 19, 51, 57, 57.1, 102, 70/107, 141, 142, 262, 266, 321, 320, 322, 70/431, 465, DIG. 80; 292/32, 63, 92, 137, 292/289, 290, 292, 358, 359, DIG. 29, 292/DIG. 68, 67, 202, 235, 153, 238; 16/86.1, 86.2

See application file for complete search history.

(56) **References Cited**

U.S. PATENT DOCUMENTS

2,473,080	A	6/1949	Vander Henst	
2,743,600	A	5/1956	Heyer	
2,755,121	A	7/1956	Aslagnen	
3,875,772	A *	4/1975	Ebersman et al.	70/107
5,259,652	A	11/1993	Adams et al.	
D342,885	S *	1/1994	Keller	D8/331

5,685,182	A *	11/1997	Chhatwal	70/224
5,791,178	A *	8/1998	Chamberlain et al.	70/278.3
D440,142	S *	4/2001	Mlinaric	D8/331
6,349,982	B2	2/2002	Fayngersh et al.	
6,536,248	B1	3/2003	Fan	
D481,614	S *	11/2003	Onel	D8/331
D485,154	S *	1/2004	Chen	D8/331
D498,407	S	11/2004	Layton	
6,860,529	B2	3/2005	Chong et al.	
D515,399	S *	2/2006	Ho	D8/330
7,108,300	B2	9/2006	Hodgin et al.	
D620,341	S	7/2010	Rechberg et al.	
7,950,703	B2	5/2011	Marko	
8,240,177	B2	8/2012	Baser	
8,256,806	B2 *	9/2012	Timothy	292/251.5
8,523,249	B2	9/2013	Hodgin et al.	
D690,578	S	10/2013	Smith	
D701,104	S *	3/2014	Weldon	D8/331

* cited by examiner

Primary Examiner — Prabhakar Deshmukh

(74) *Attorney, Agent, or Firm* — Leydig, Voit & Mayer, Ltd.

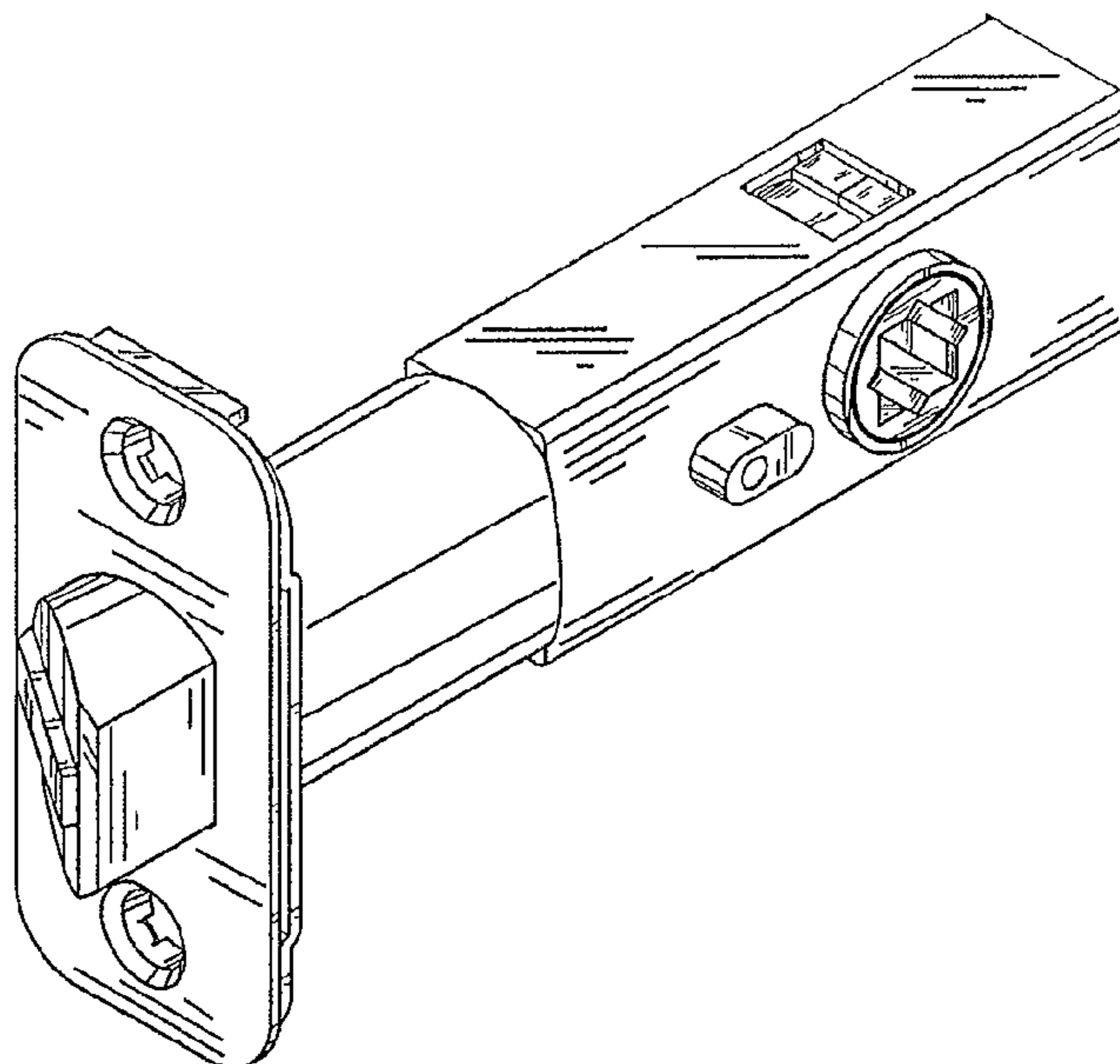
(57) **CLAIM**

The ornamental design for a universal spindle door latch, as shown and described.

DESCRIPTION

FIG. 1 is a front right perspective view of the universal spindle door latch of the present invention showing our new design; FIG. 2 is a rear left perspective view thereof; FIG. 3 is a top plan view thereof; FIG. 4 is a left side elevational view thereof; FIG. 5 is a right side elevational view thereof; FIG. 6 is a bottom plan view thereof; FIG. 7 is a front elevational view thereof; and, FIG. 8 is a rear elevational view thereof.

1 Claim, 3 Drawing Sheets



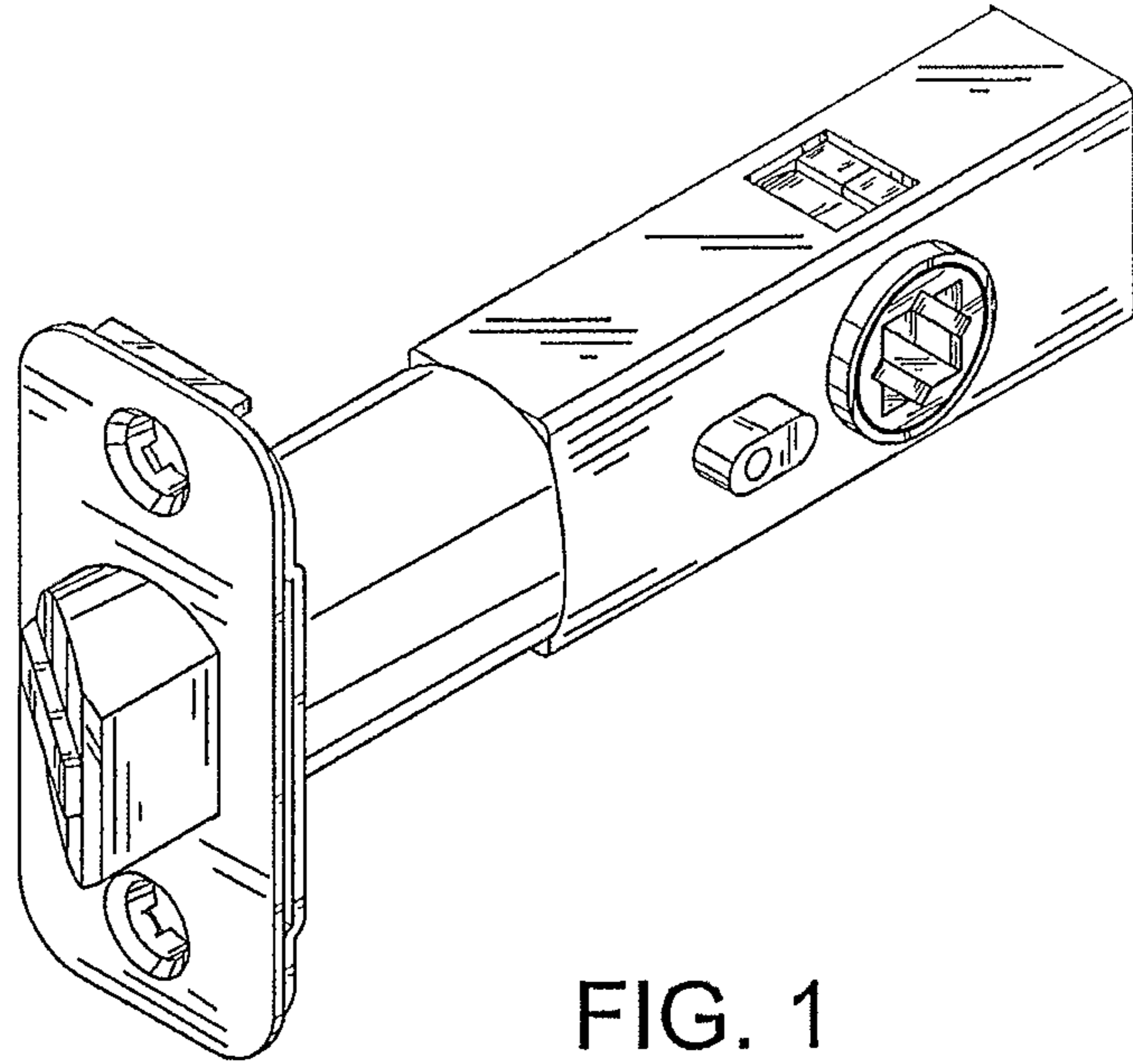


FIG. 1

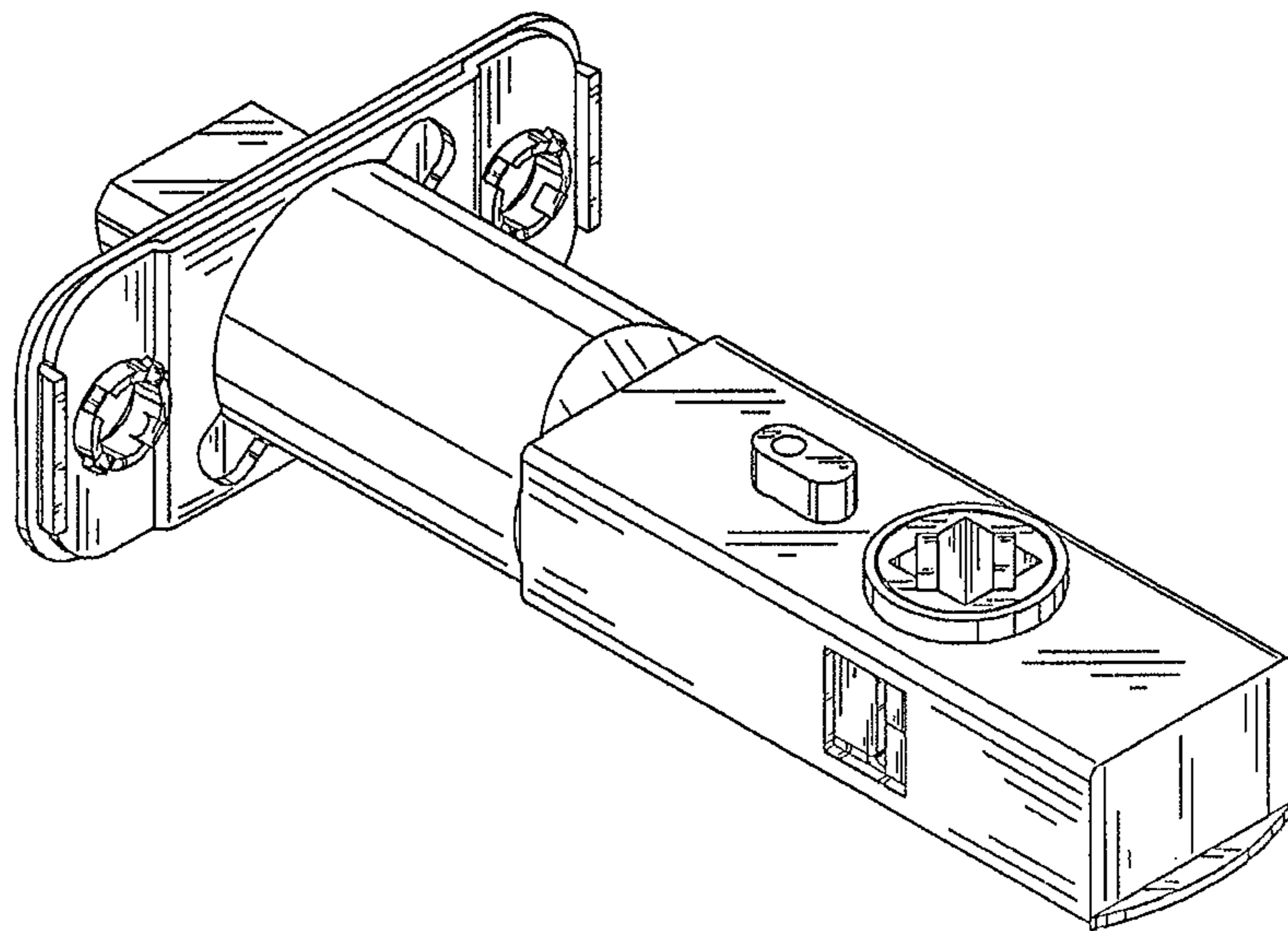


FIG. 2

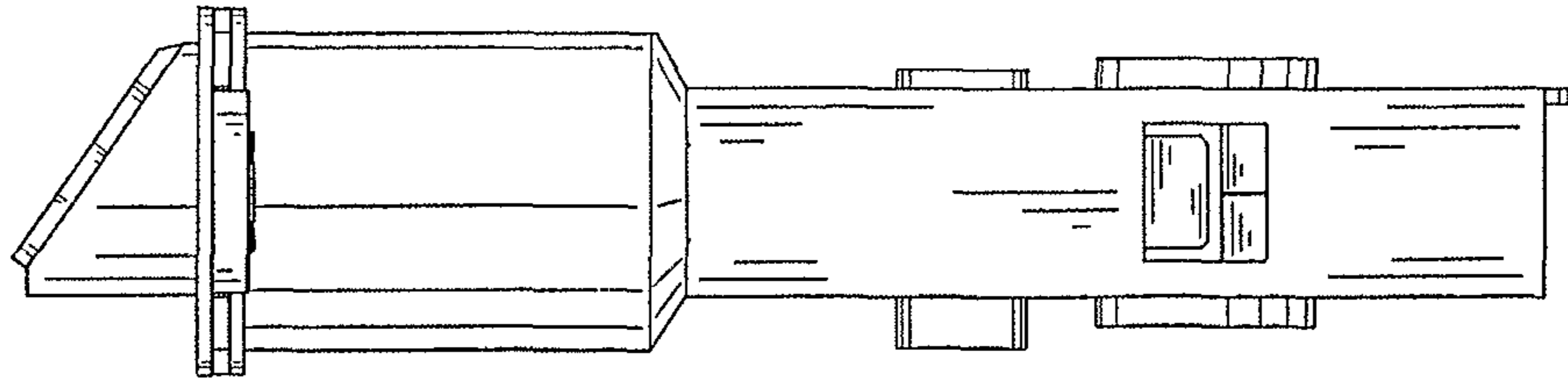


FIG. 3

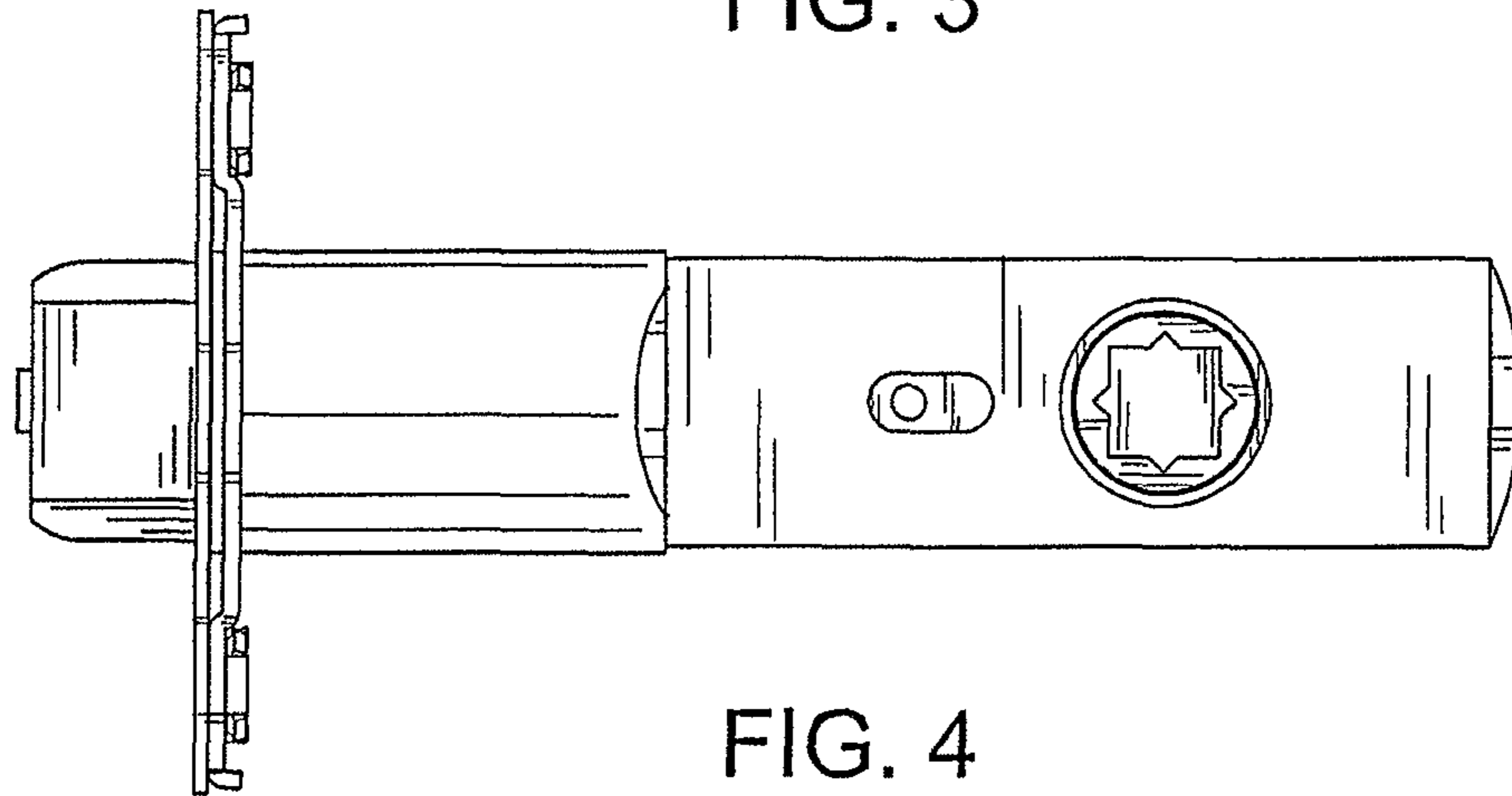


FIG. 4

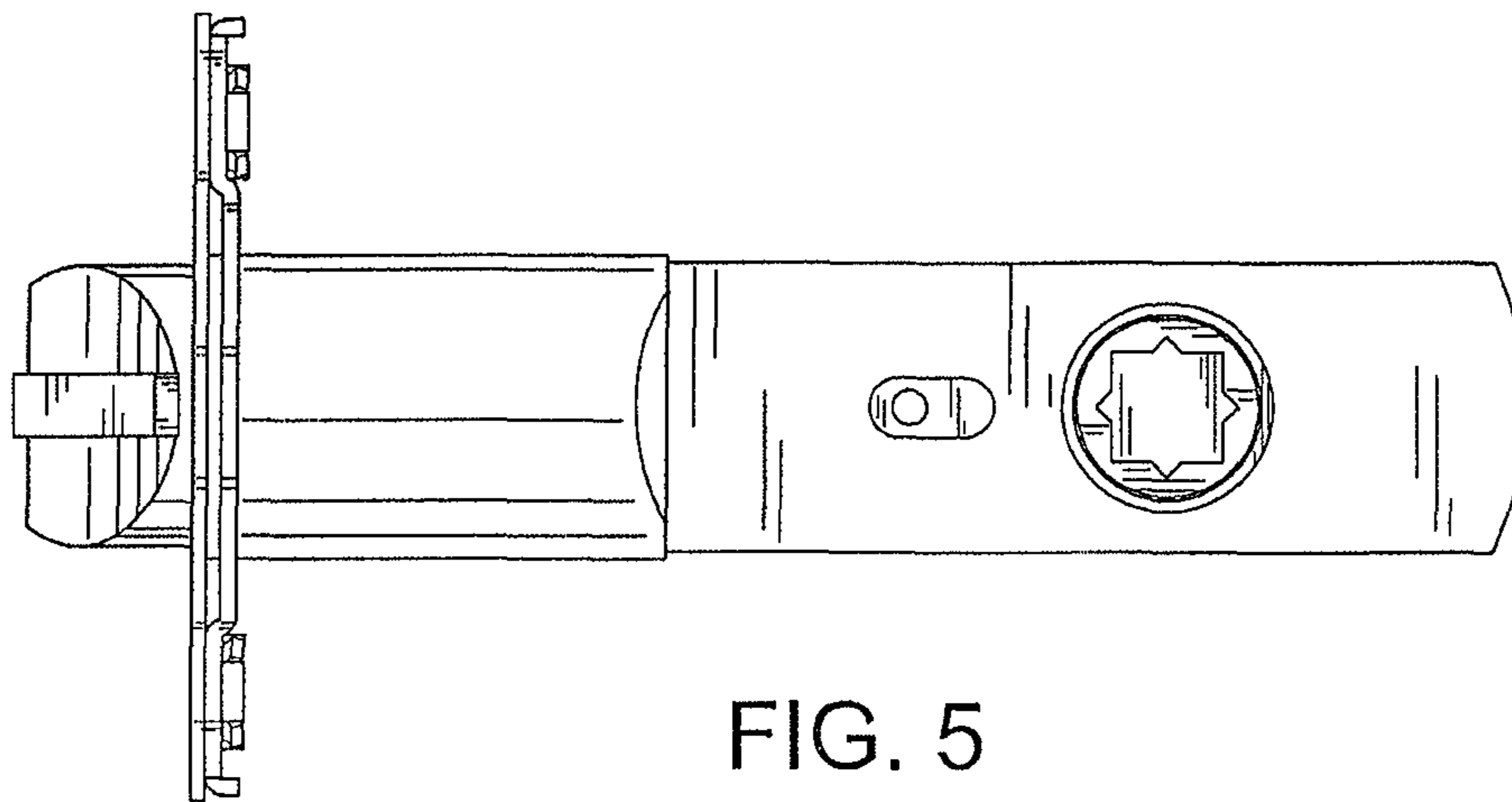


FIG. 5

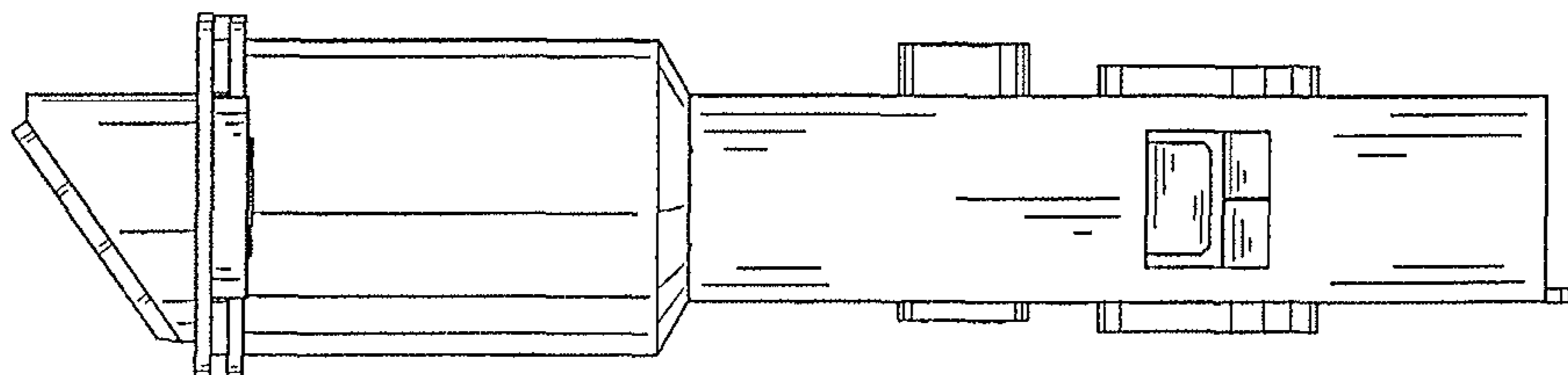


FIG. 6

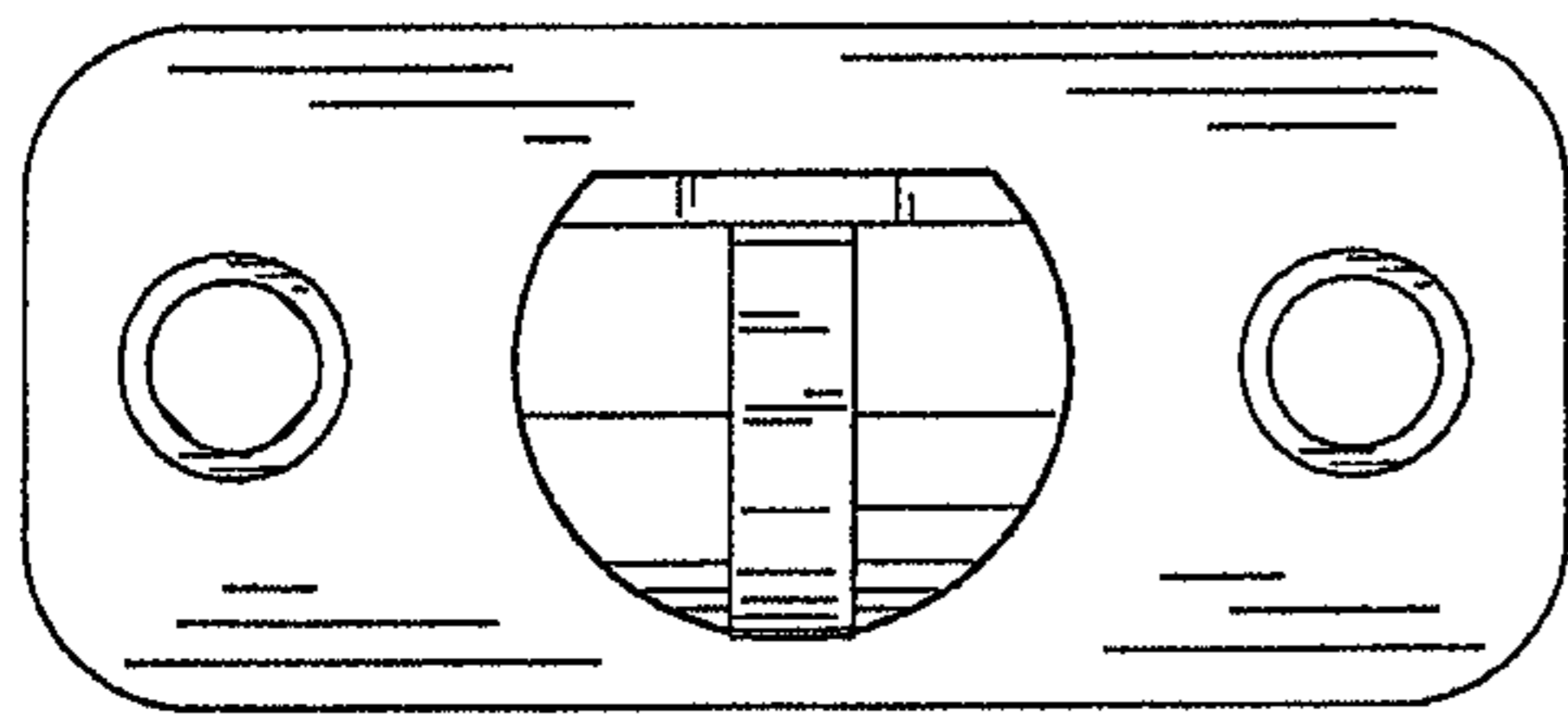


FIG. 7

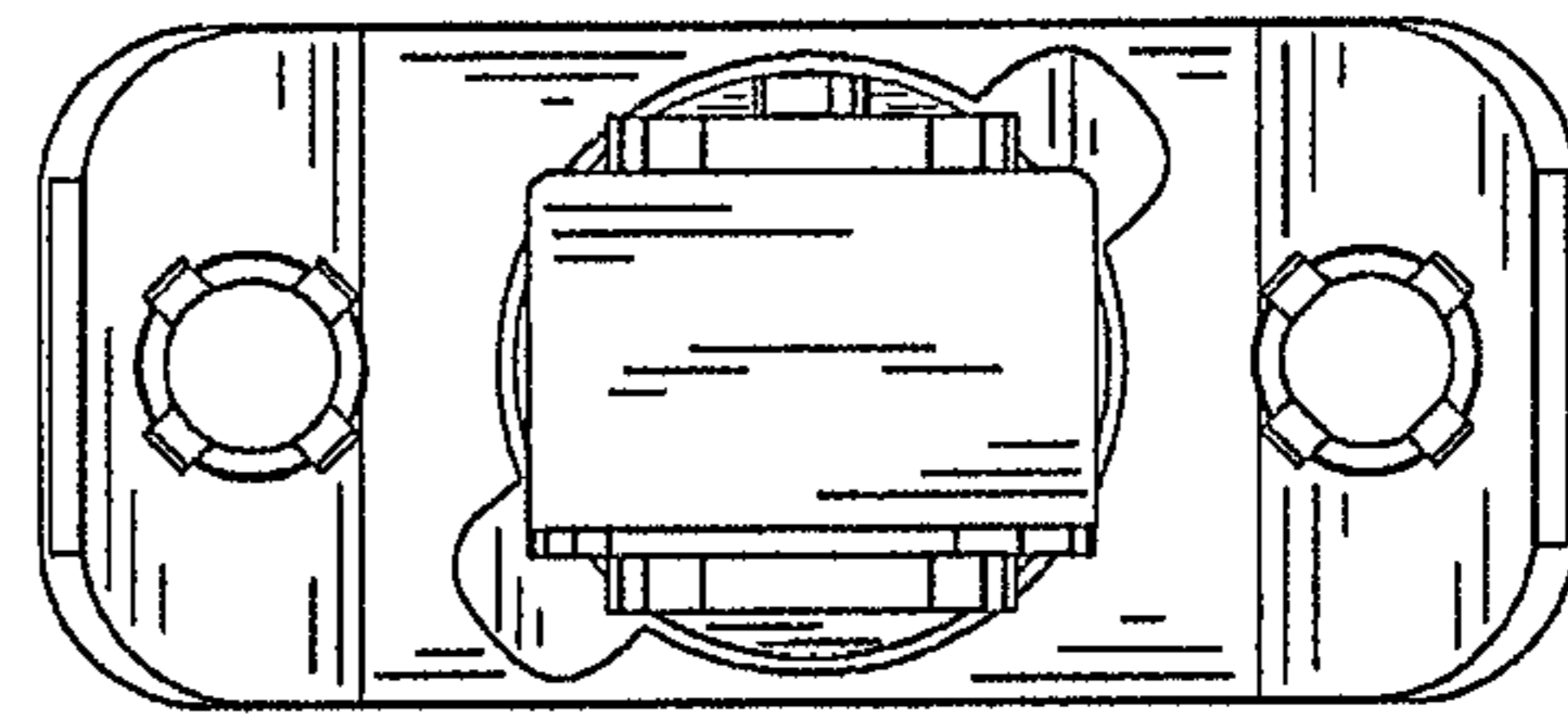


FIG. 8