



US00D722259S

(12) **United States Design Patent**
Conner

(10) **Patent No.:** **US D722,259 S**
(45) **Date of Patent:** **** Feb. 10, 2015**

- (54) **KNOB**
- (71) Applicant: **Bombardier Inc.**, Dorval (CA)
- (72) Inventor: **Brian Conner**, Seattle, WA (US)
- (73) Assignee: **Bombardier Inc.**, Dorval, Quebec (CA)
- (**) Term: **14 Years**
- (21) Appl. No.: **29/444,588**
- (22) Filed: **Jan. 31, 2013**
- (51) **LOC (10) Cl.** **08-06**
- (52) **U.S. Cl.**
USPC **D8/300; D8/310**
- (58) **Field of Classification Search**
CPC E05C 1/14
USPC D8/300, 310, 400, 404, 330, 338;
D13/171; 292/336.3, 165; 16/110.1;
24/113 R
See application file for complete search history.

D377,337 S *	1/1997	Schaeffer	D13/171
5,992,498 A *	11/1999	Boston	160/370.22
D433,309 S *	11/2000	Johansson et al.	D8/331
D437,835 S *	2/2001	Decosse	D13/174
D439,496 S *	3/2001	Stevens et al.	D8/330
6,460,902 B1 *	10/2002	Kyle	292/165
D467,489 S *	12/2002	Rubinson	D8/310
D469,411 S *	1/2003	Decosse	D13/174
D511,290 S *	11/2005	Coudurier	D8/310
D527,611 S *	9/2006	Sato	D8/310
D546,661 S *	7/2007	Jackson, Jr.	D8/331
D564,330 S *	3/2008	Beukema et al.	D8/300
D581,249 S *	11/2008	Wu et al.	D8/343
D591,139 S *	4/2009	Gulley	D8/331

* cited by examiner

Primary Examiner — Paula Greene

(74) *Attorney, Agent, or Firm* — Thomas, Karceski & Karmilovich, PC

(57) **CLAIM**

The ornamental design for a knob, as shown and described.

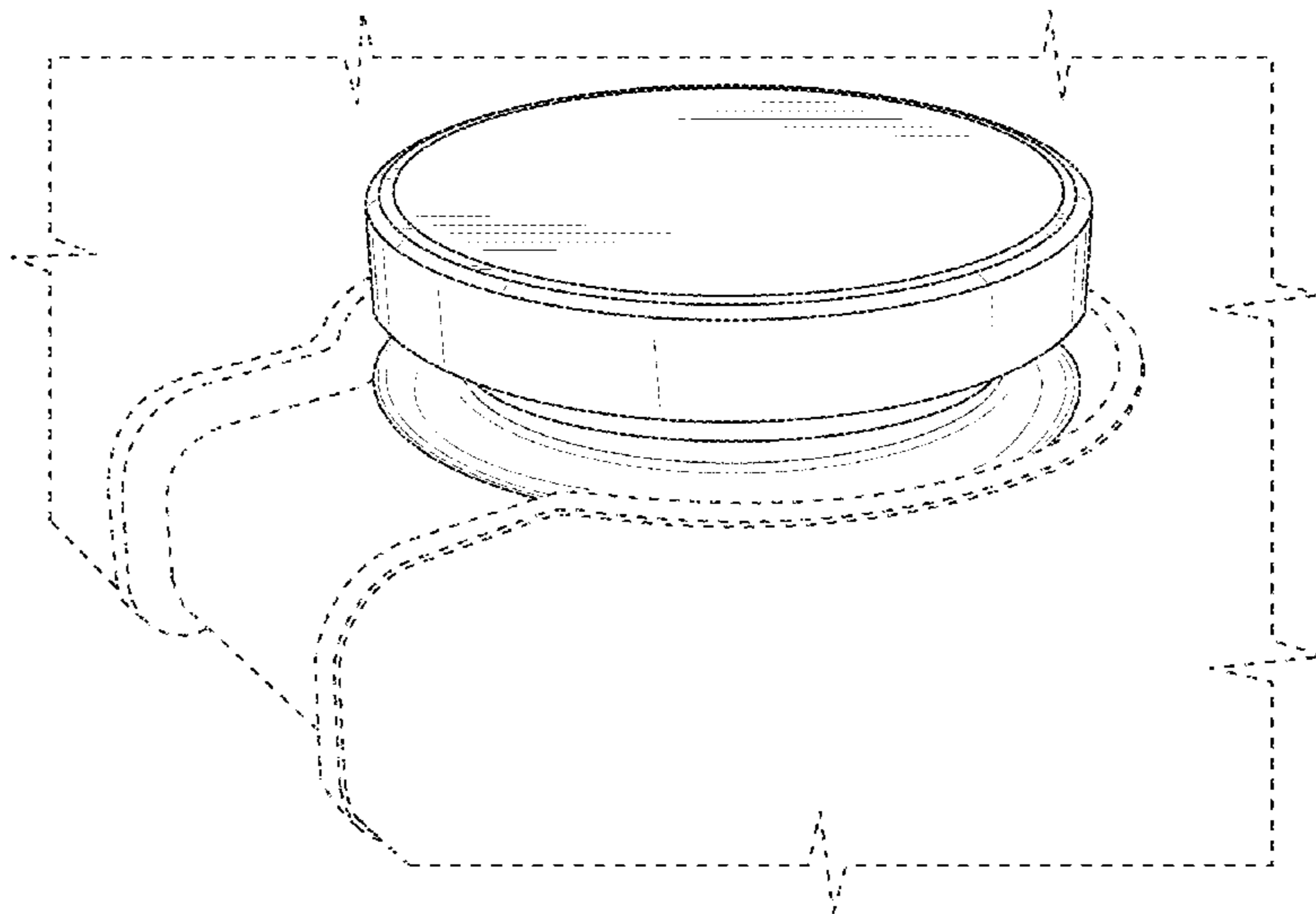
DESCRIPTION

FIG. 1 is a first perspective illustration of a knob according to the design;
 FIG. 2 is a top view thereof;
 FIG. 3 is a front view thereof;
 FIG. 4 is a rear view thereof;
 FIG. 5 is a right side view thereof, the left side view being a mirror image thereof; and,
 FIG. 6 is a second perspective view thereof, showing the knob in a retracted position.
 Throughout FIGS. 1-6, the broken lines denote environment and aspects of the knob that form no part of the claimed design.
 The bottom view of the knob is excluded, because it is plain and unornamented and, therefore, forms no part of the claimed design.

1 Claim, 6 Drawing Sheets

(56) **References Cited**
U.S. PATENT DOCUMENTS

757,744 A *	4/1904	Hornich, Jr.	24/113 R
3,118,298 A *	1/1964	Holmes	70/100
3,305,660 A *	2/1967	Sohns et al.	200/330
3,428,349 A *	2/1969	Shelton	292/288
3,524,215 A *	8/1970	Kurtz	16/443
3,715,781 A *	2/1973	Salvatori	24/114.9
3,737,184 A *	6/1973	Swartz	292/170
3,975,041 A *	8/1976	Edison	292/258
4,404,445 A *	9/1983	Baran et al.	200/314
4,590,342 A *	5/1986	Schlegel	200/341
4,608,882 A *	9/1986	Howie, Jr.	74/548
D305,022 S *	12/1989	Hallgren et al.	D13/171
D312,769 S *	12/1990	Bisbing	D8/338
5,349,835 A *	9/1994	Liao	70/491
5,435,159 A *	7/1995	Ramsauer	70/370
D362,841 S *	10/1995	Roza	D13/171



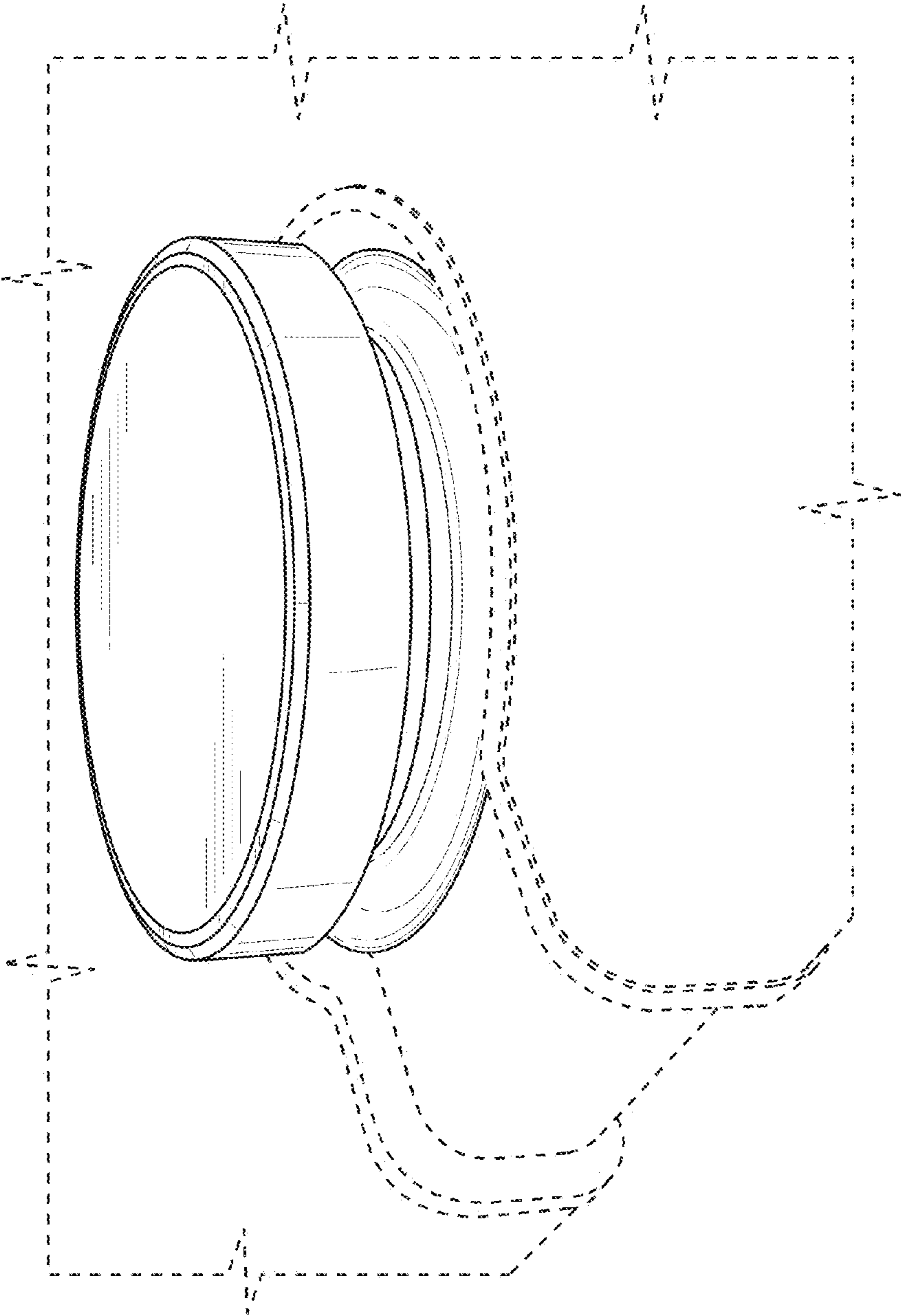


FIG. 1

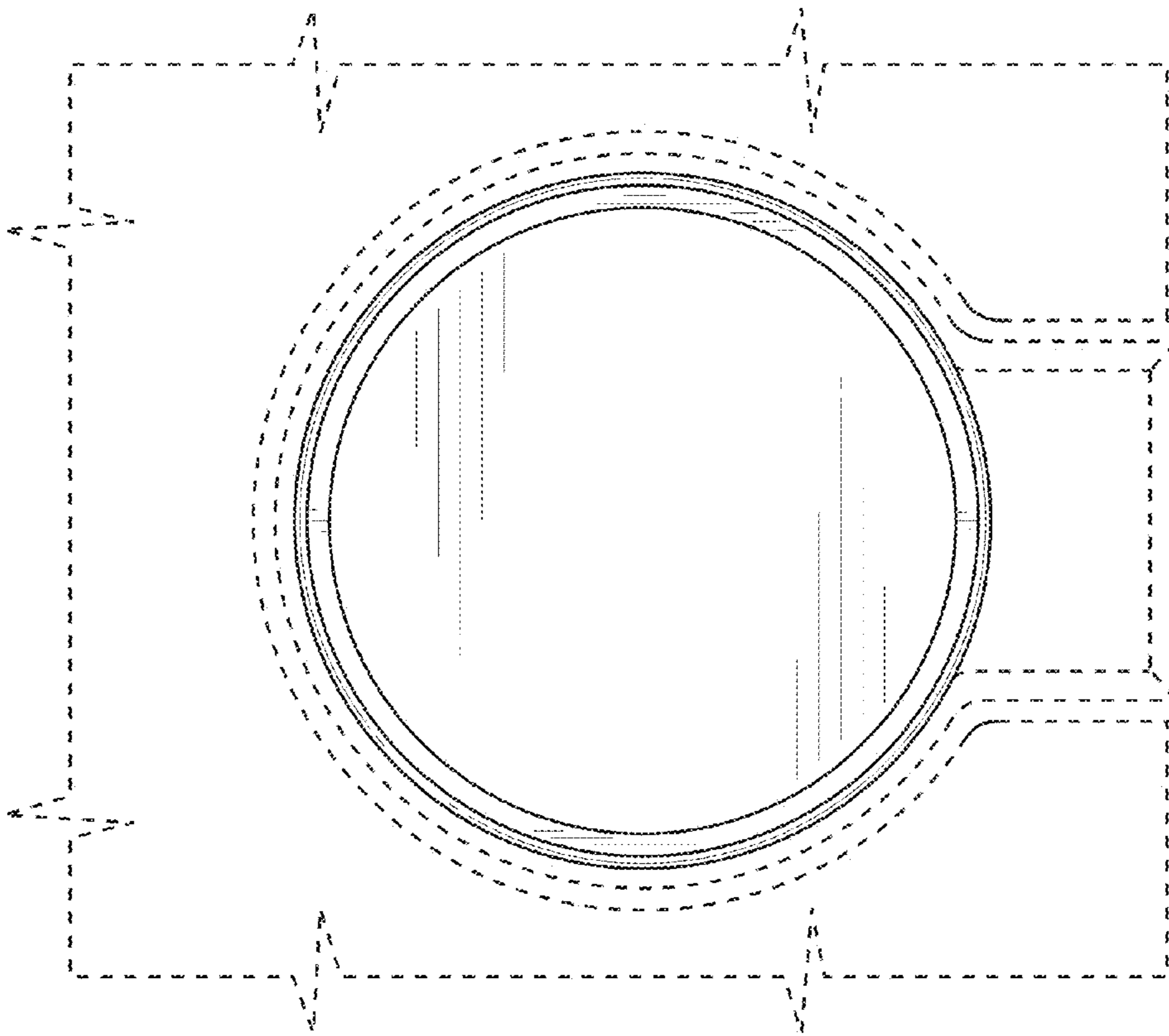


FIG. 2

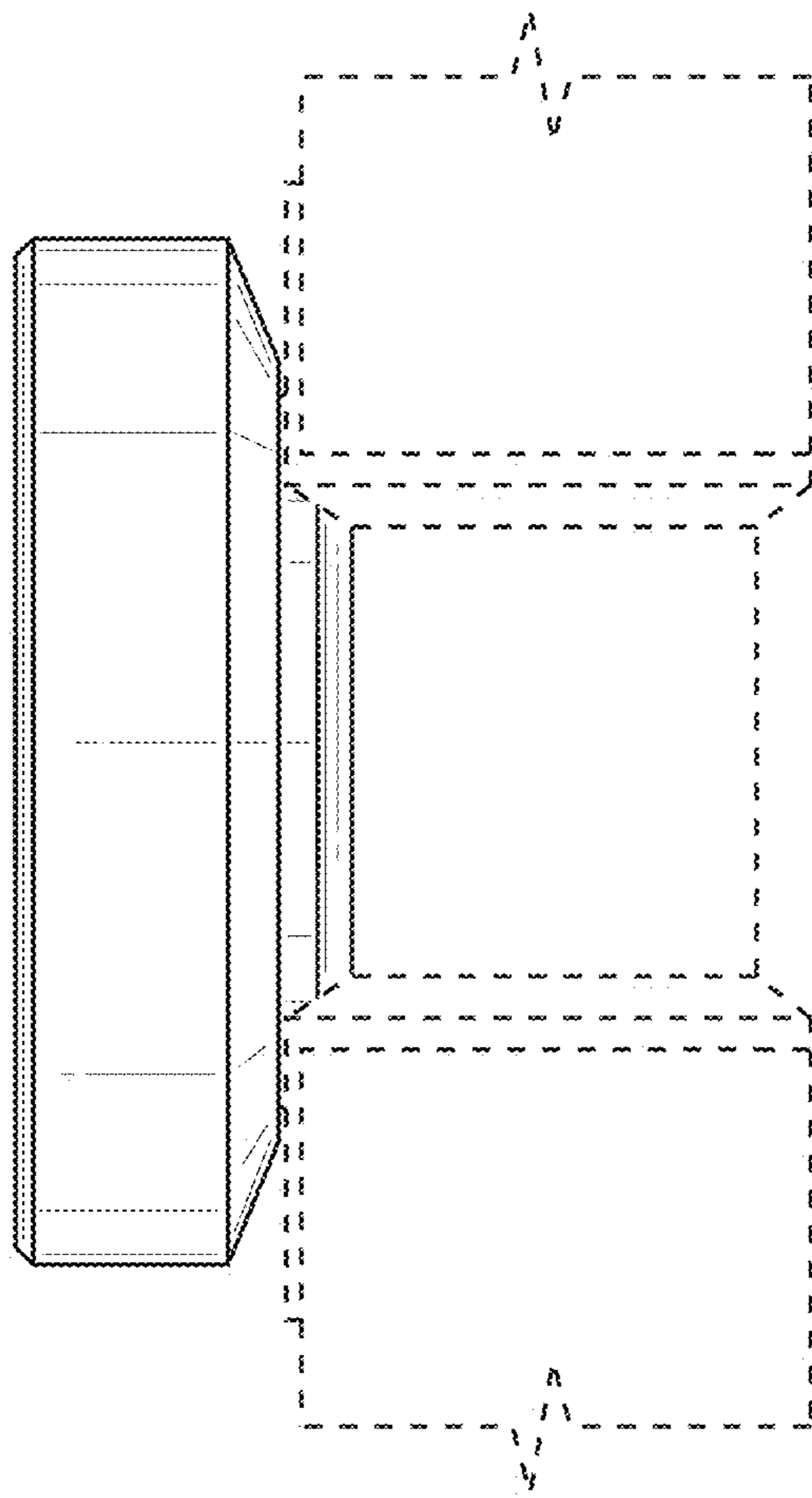


FIG. 3

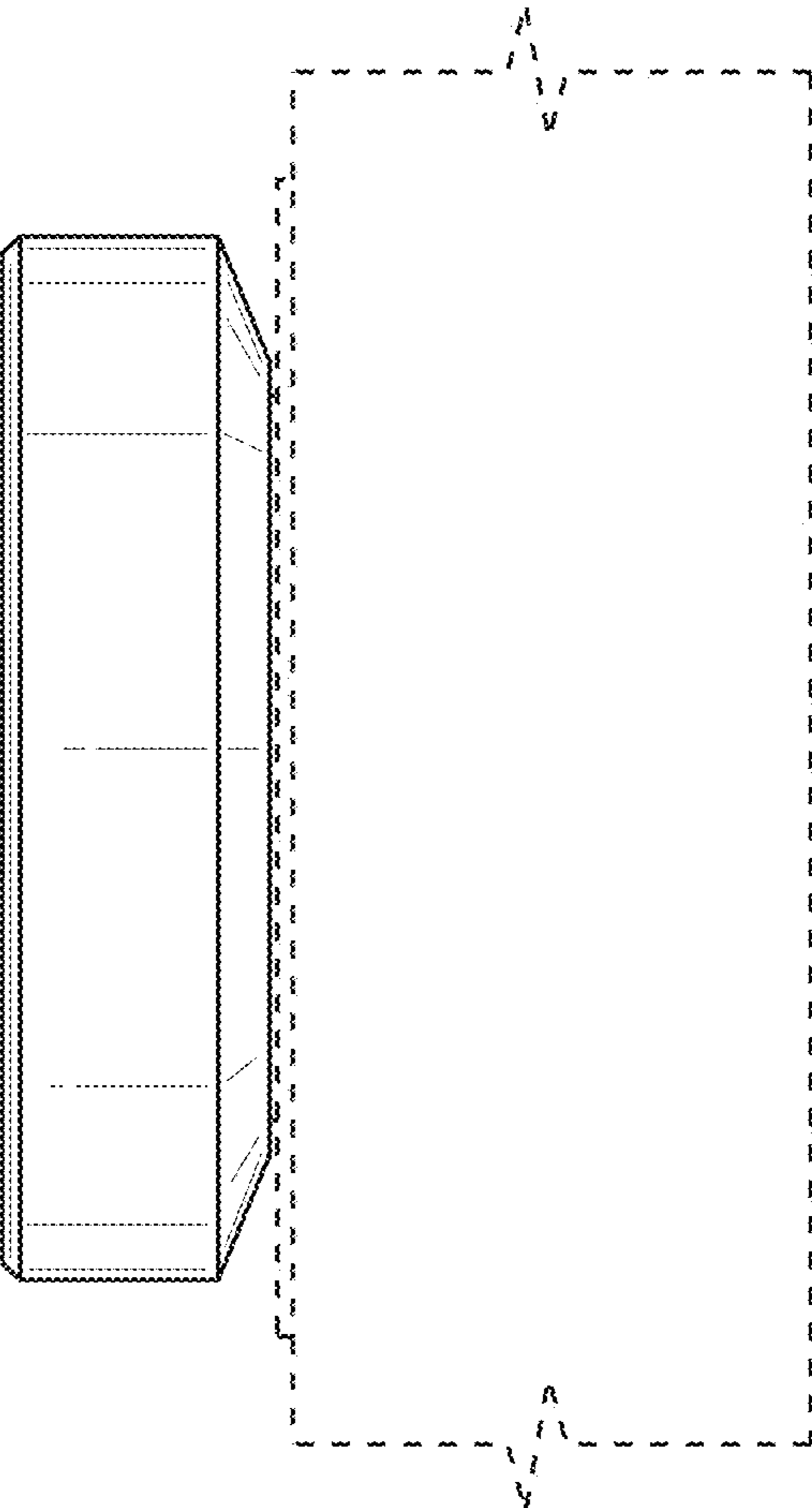


FIG. 4

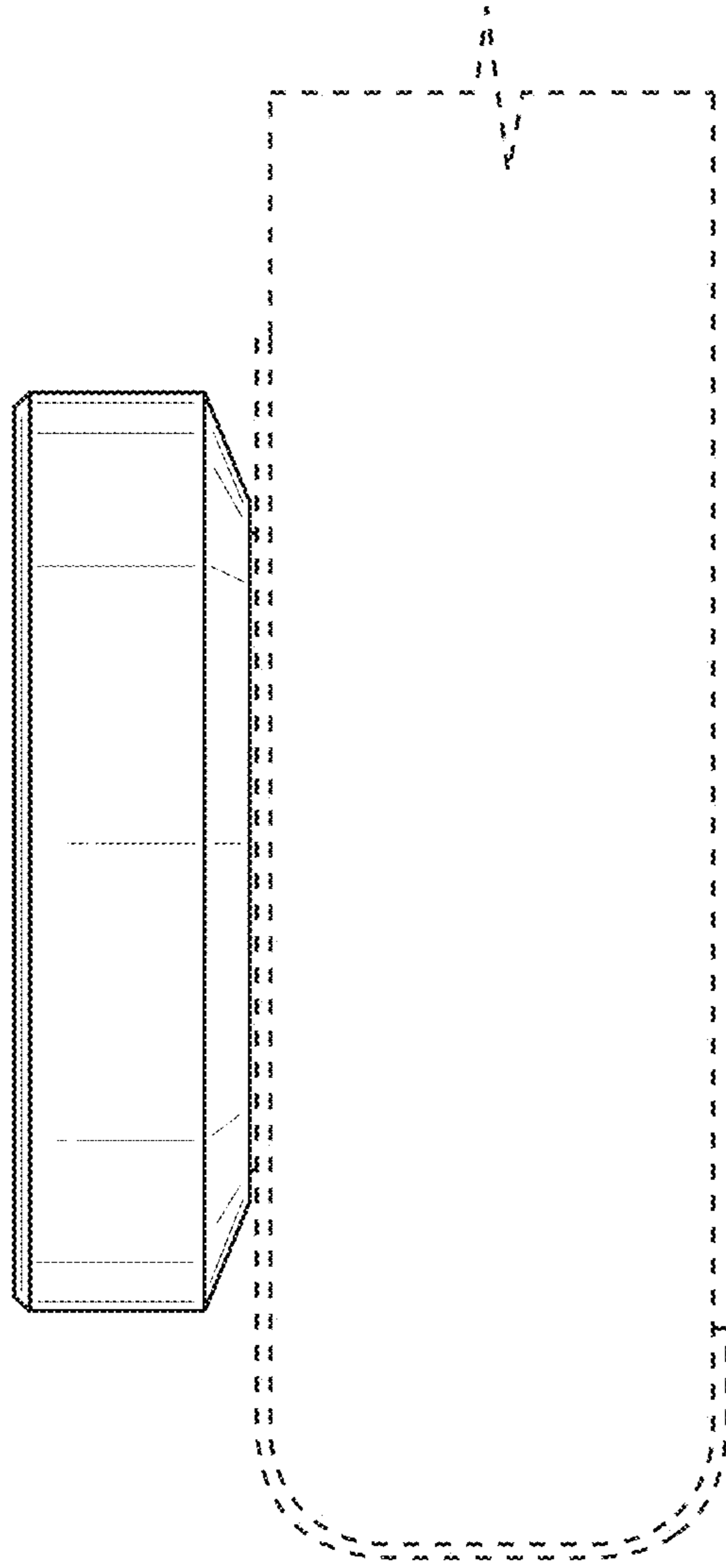


FIG. 5

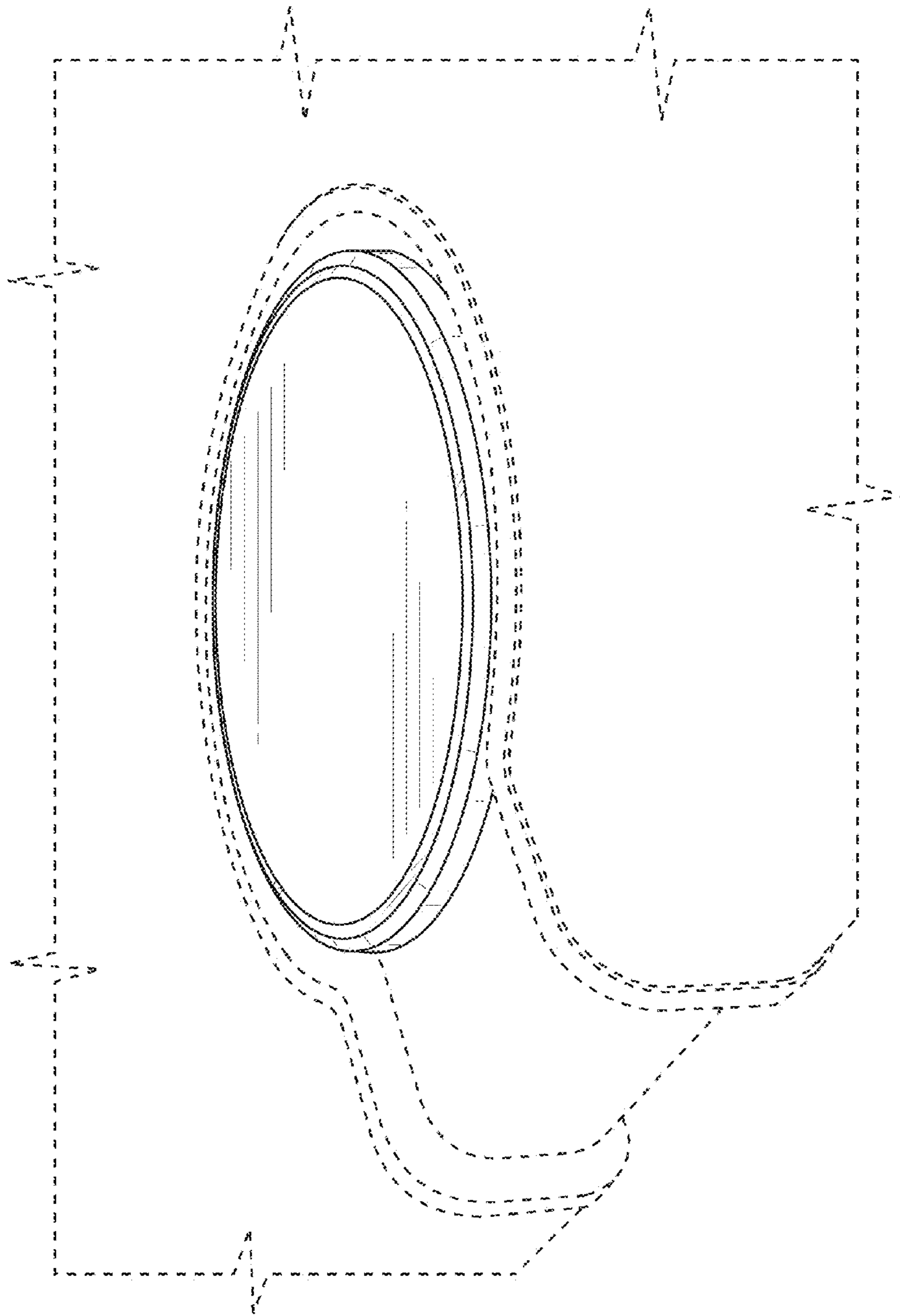


FIG. 6