

US00D722255S

(12) **United States Design Patent**
Daudelin

(10) **Patent No.:** **US D722,255 S**
(45) **Date of Patent:** **** Feb. 10, 2015**

(54) **TARP HOOK**

(71) Applicant: **Steven Daudelin**, Pembroke, MA (US)

(72) Inventor: **Steven Daudelin**, Pembroke, MA (US)

(**) Term: **14 Years**

(21) Appl. No.: **29/458,312**

(22) Filed: **Jun. 18, 2013**

(51) **LOC (10) Cl.** **08-05**

(52) **U.S. Cl.**
USPC **D8/14**

(58) **Field of Classification Search**
USPC D8/14, 367, 370; D22/149; 294/12, 17,
294/18, 24, 26, 175, 86.4
See application file for complete search history.

(56) **References Cited**

U.S. PATENT DOCUMENTS

435,420	A	9/1890	Healy	
466,628	A *	1/1892	Shea	7/146
481,763	A *	8/1892	Johnson	140/102.5
555,681	A	3/1896	Dalton	
642,282	A	1/1900	Barclay	
2,488,312	A	11/1949	Millican at al.	
2,702,941	A *	3/1955	Hale	30/289
3,029,503	A	4/1962	Meyer	
3,310,331	A	3/1967	Michaud	
3,385,625	A	5/1968	Heines	
3,936,088	A	2/1976	Williams	
4,171,842	A	10/1979	Tolle	
4,364,592	A	12/1982	Jackson	
4,955,647	A *	9/1990	Alfredson	294/14
D311,311	S	10/1990	Metzger	
D311,312	S	10/1990	Morton	

D362,930	S *	10/1995	Markles	D32/35
D378,167	S *	2/1997	Jones, Jr.	D6/317
5,660,099	A	8/1997	Figueira, Jr.	
D384,253	S	9/1997	Patino	
D385,076	S	10/1997	Milbury	
5,943,831	A	8/1999	Pangburn	
D421,221	S *	2/2000	O'Kane	D9/434
6,397,513	B1 *	6/2002	Reed	43/53.5
D459,959	S	7/2002	Fetterman et al.	
D536,415	S *	2/2007	Riley	D22/149
7,354,084	B2	4/2008	Freiling et al.	
D623,489	S *	9/2010	Powell et al.	D8/14
D665,641	S	8/2012	Raleigh	
D698,108	S *	1/2014	Selby	D32/25

* cited by examiner

Primary Examiner — Phillip S Hyder

(74) *Attorney, Agent, or Firm* — John P. McGonagle

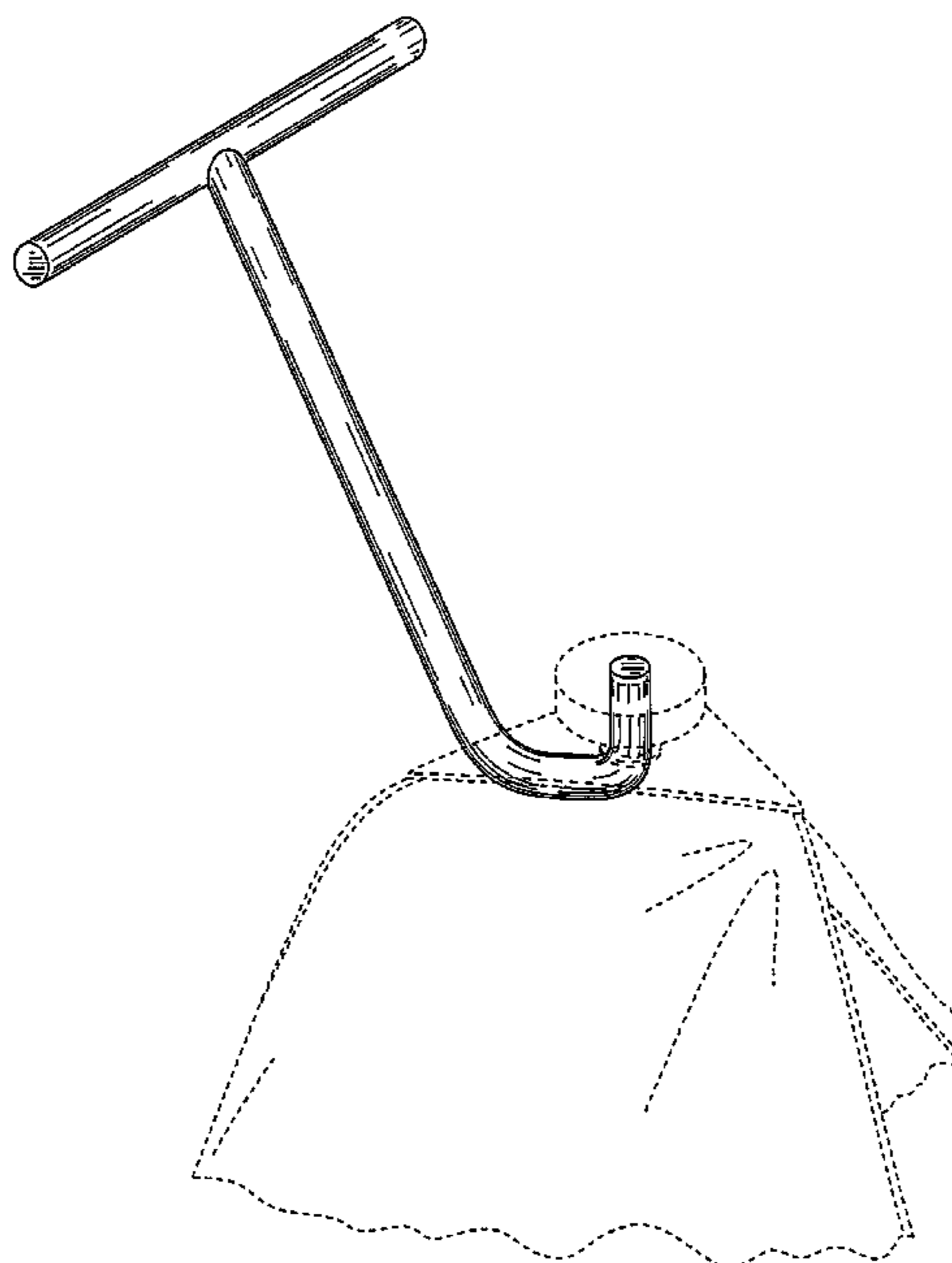
(57) **CLAIM**

The ornamental design for a tarp hook, as shown and described.

DESCRIPTION

FIG. 1 is a front perspective view of a tarp hook showing my new design;
FIG. 2 is top view thereof;
FIG. 3 is a front view thereof;
FIG. 4 is a side view thereof, the opposite side being a mirror image thereof;
FIG. 5 is a rear view thereof; and,
FIG. 6 is a bottom view thereof.
The broken line showings of the holding ring and tarp portions are provided for purposes of environment and form no part of the claimed design.

1 Claim, 3 Drawing Sheets



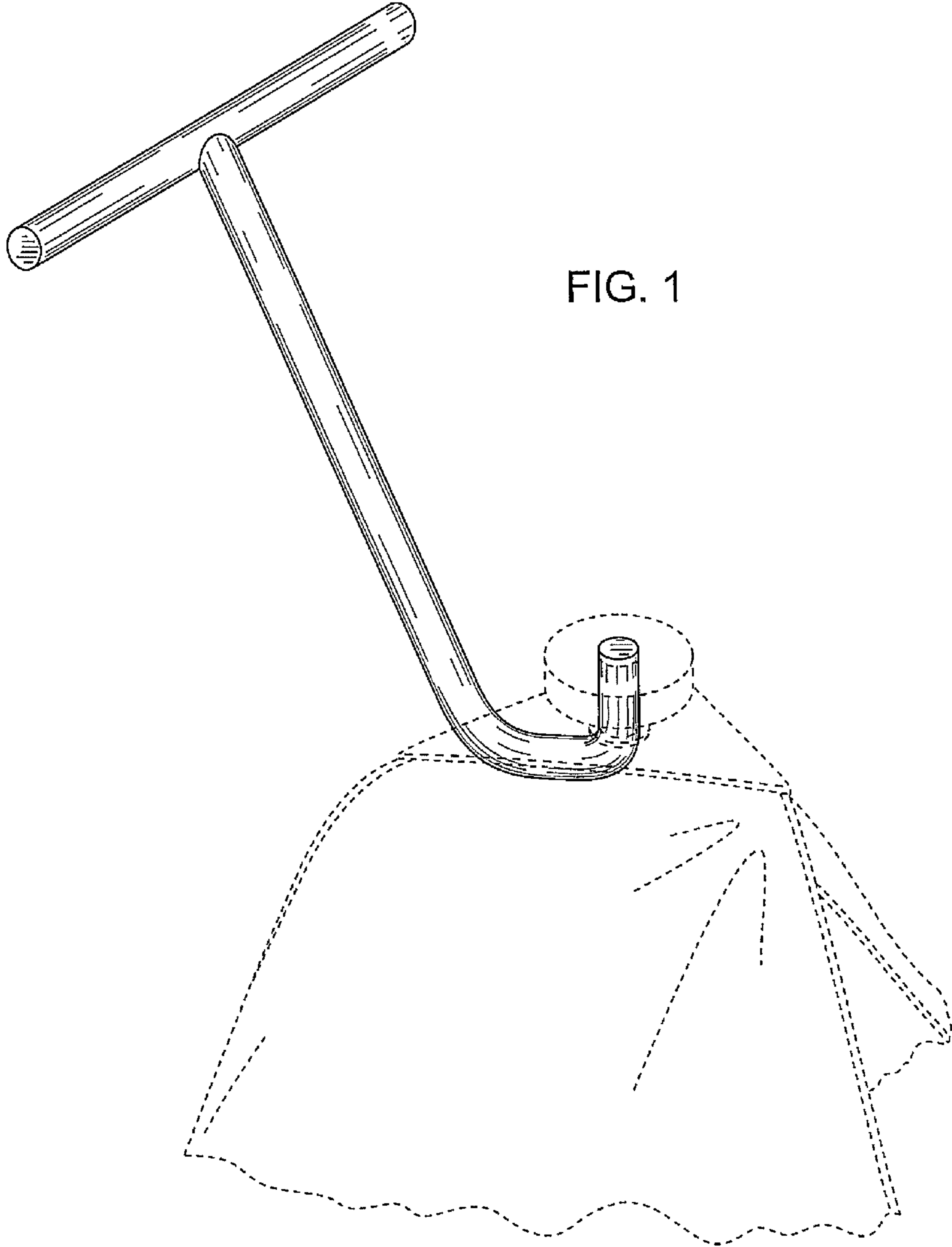


FIG. 1

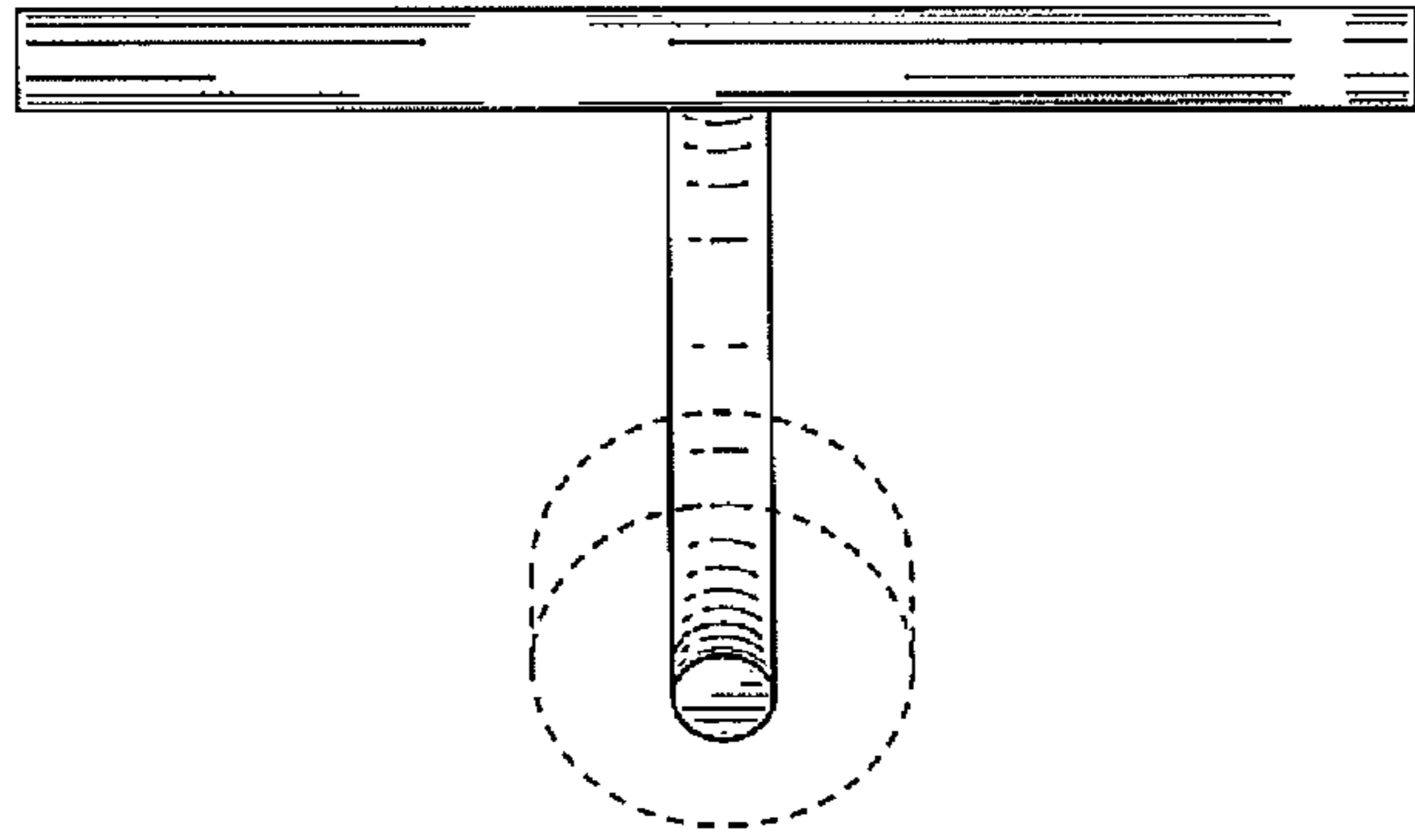


FIG. 2

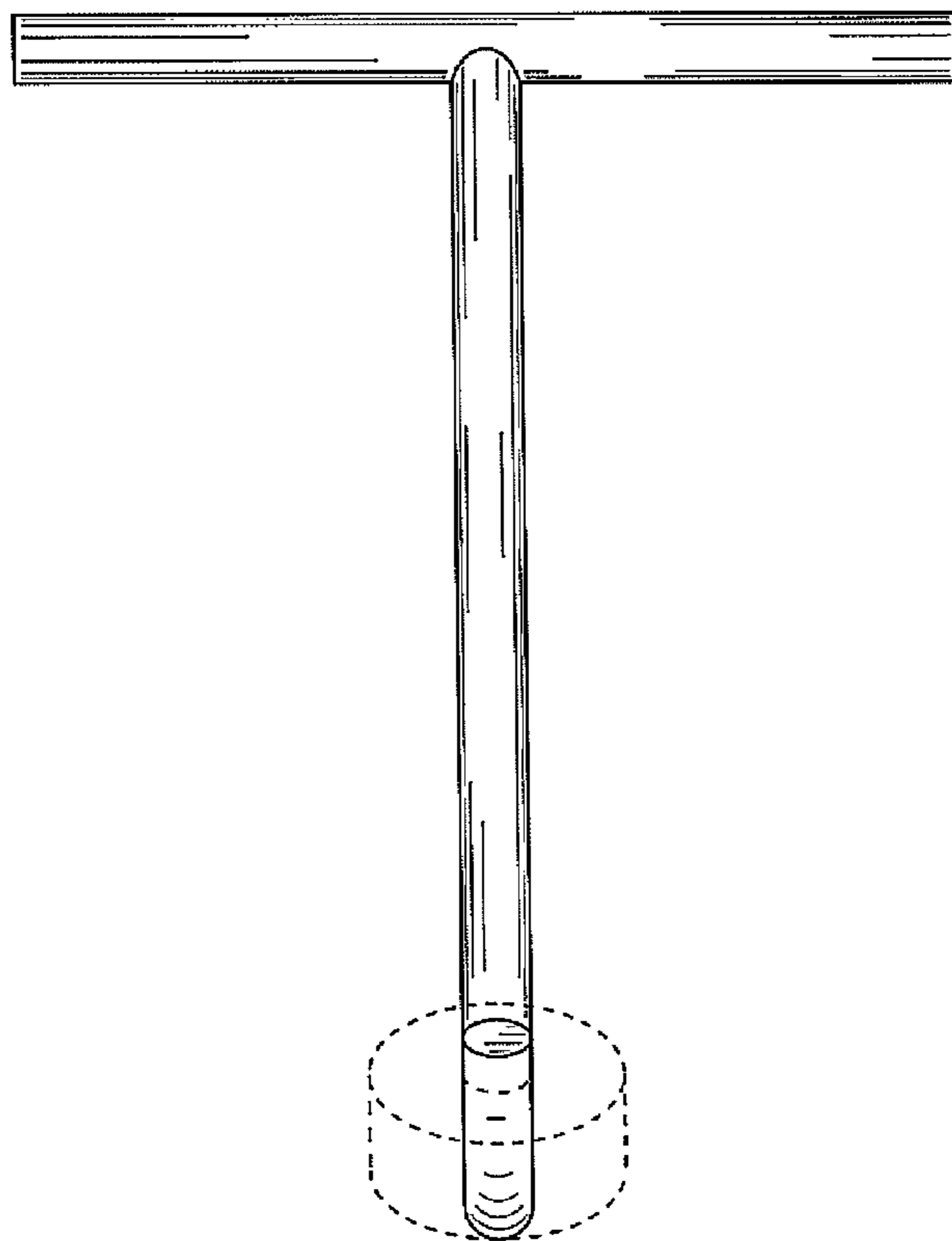


FIG. 3



FIG. 4

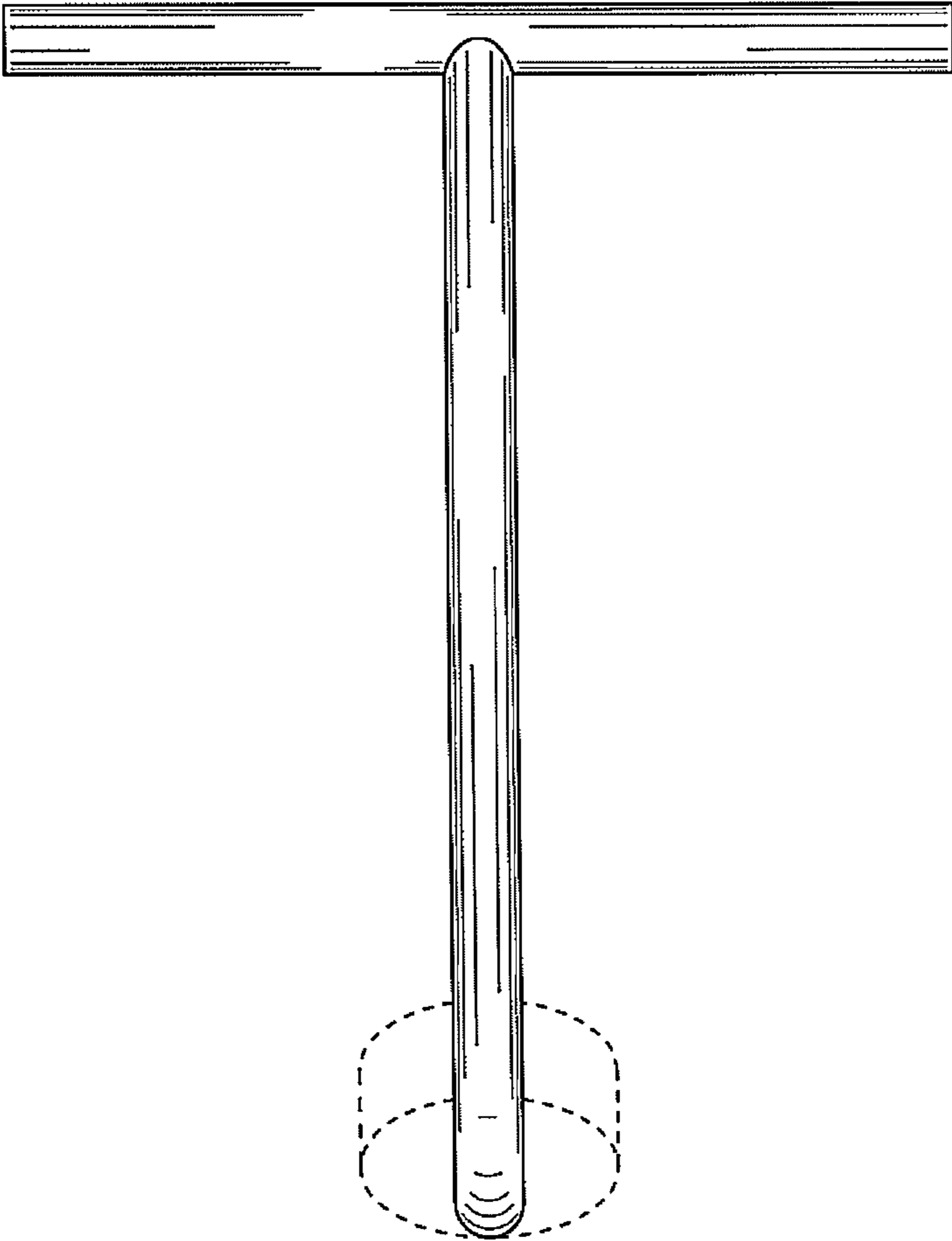


FIG. 5

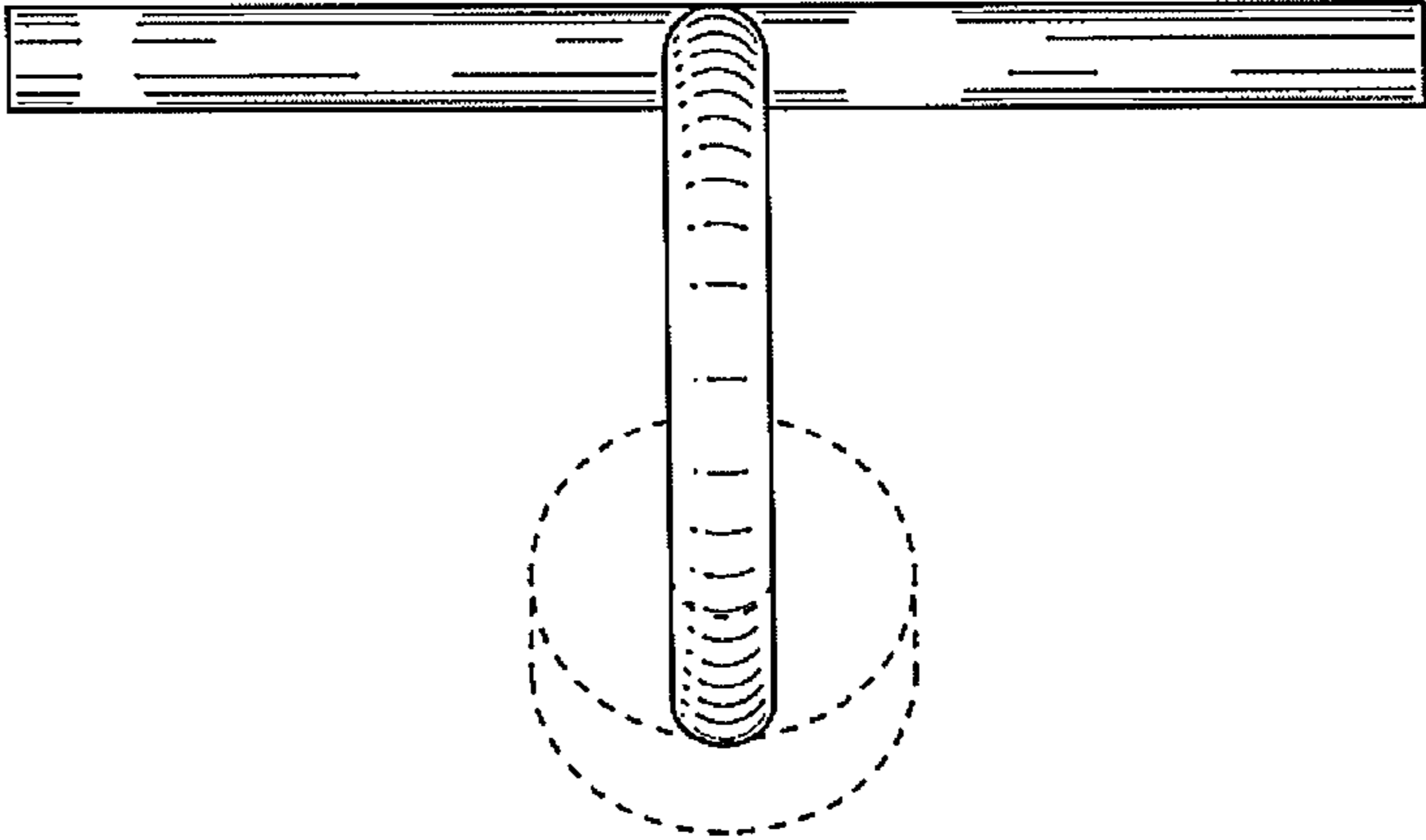


FIG. 6