



US00D722254S

(12) **United States Design Patent**
Henry et al.

(10) **Patent No.:** **US D722,254 S**
(45) **Date of Patent:** **** Feb. 10, 2015**

(54) **STRAWBERRY HULLER**

(71) Applicant: **Robinson Home Products Inc.,**
Williamsville, NY (US)

(72) Inventors: **Lou Henry**, Scarsdale, NY (US); **John Healy**, Brooklyn, NY (US)

(73) Assignee: **Robinson Home Products Inc.,**
Williamsville, NY (US)

(**) Term: **14 Years**

(21) Appl. No.: **29/483,608**

(22) Filed: **Feb. 28, 2014**

(51) **LOC (10) Cl.** **07-04**

(52) **U.S. Cl.**
USPC **D7/693**

(58) **Field of Classification Search**
CPC A47J 21/00
USPC D7/693, 368, 669, 672-677; 30/301,
30/302, 130, 128, 113.1-113.3; 7/109,
7/110, 113; 99/557, 559, 642, 537-545,
99/584; D8/1, 7, 112, 113
See application file for complete search history.

(56) **References Cited**

U.S. PATENT DOCUMENTS

5,056,223 A * 10/1991 Buck et al. 30/113.1
5,092,043 A * 3/1992 Shirkey 30/113.1
D614,459 S * 4/2010 Hull et al. D7/693

D648,991 S * 11/2011 Smith et al. D7/693
D693,655 S * 11/2013 Cotter D7/693
2008/0271321 A1 * 11/2008 Brunner et al. 30/113.1
2010/0236425 A1 * 9/2010 Holcomb et al. 99/540

* cited by examiner

Primary Examiner — Terry Wallace

(74) *Attorney, Agent, or Firm* — Florek & Endres PLLC

(57) **CLAIM**

We claim the ornamental design for a strawberry huller, as shown and described.

DESCRIPTION

FIG. 1 is a perspective view of the strawberry huller of the invention.

FIG. 2 is a left side elevation of the strawberry huller of the invention.

FIG. 3 is a right side elevation of the strawberry huller of the invention.

FIG. 4 is a front elevation of the strawberry huller of the invention.

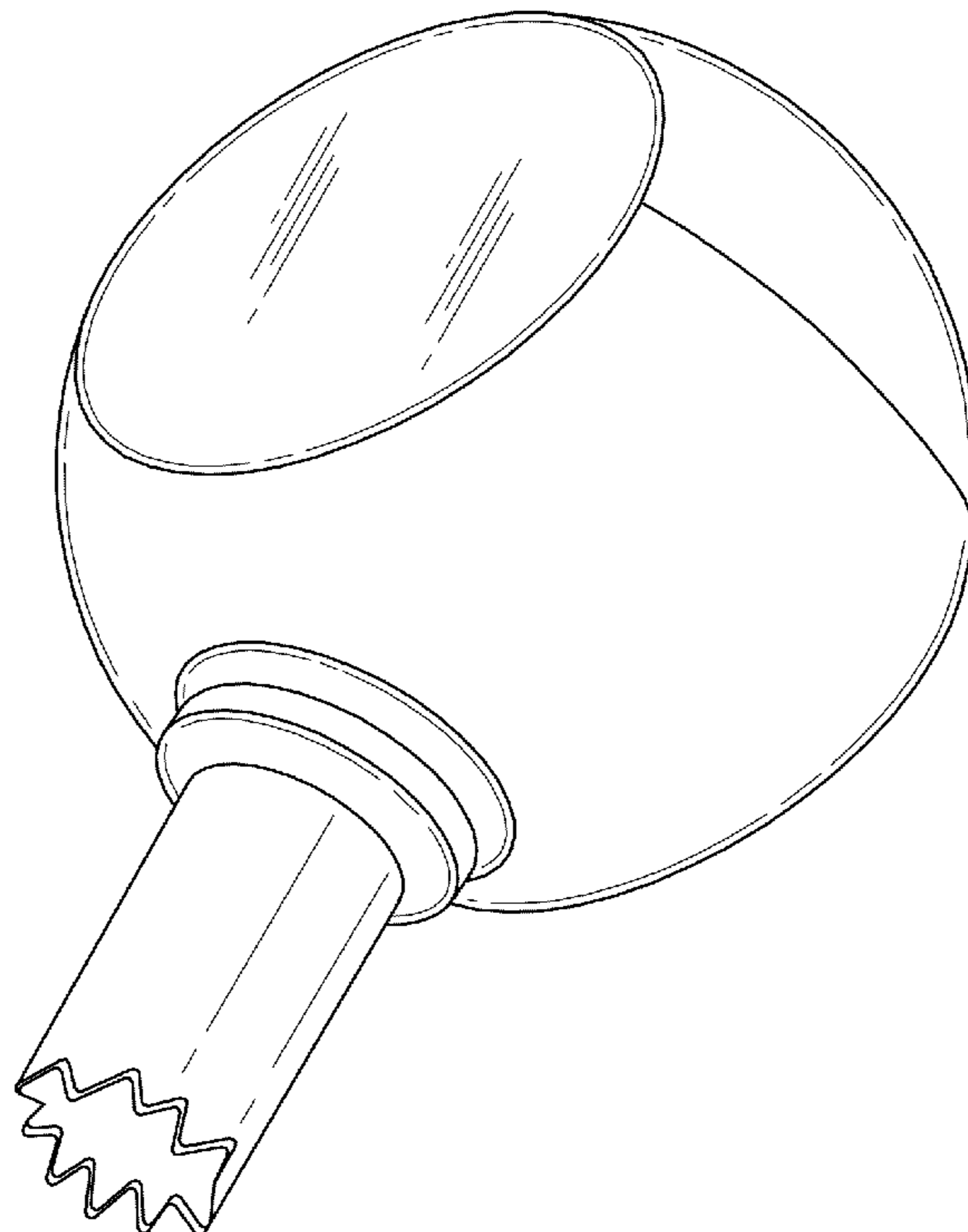
FIG. 5 is a rear elevation of the strawberry huller of the invention.

FIG. 6 is a bottom plan view of the strawberry huller of the invention; and,

FIG. 7 is a top plan view of the strawberry huller of the invention.

The broken lines in the drawings represent unclaimed features.

1 Claim, 6 Drawing Sheets



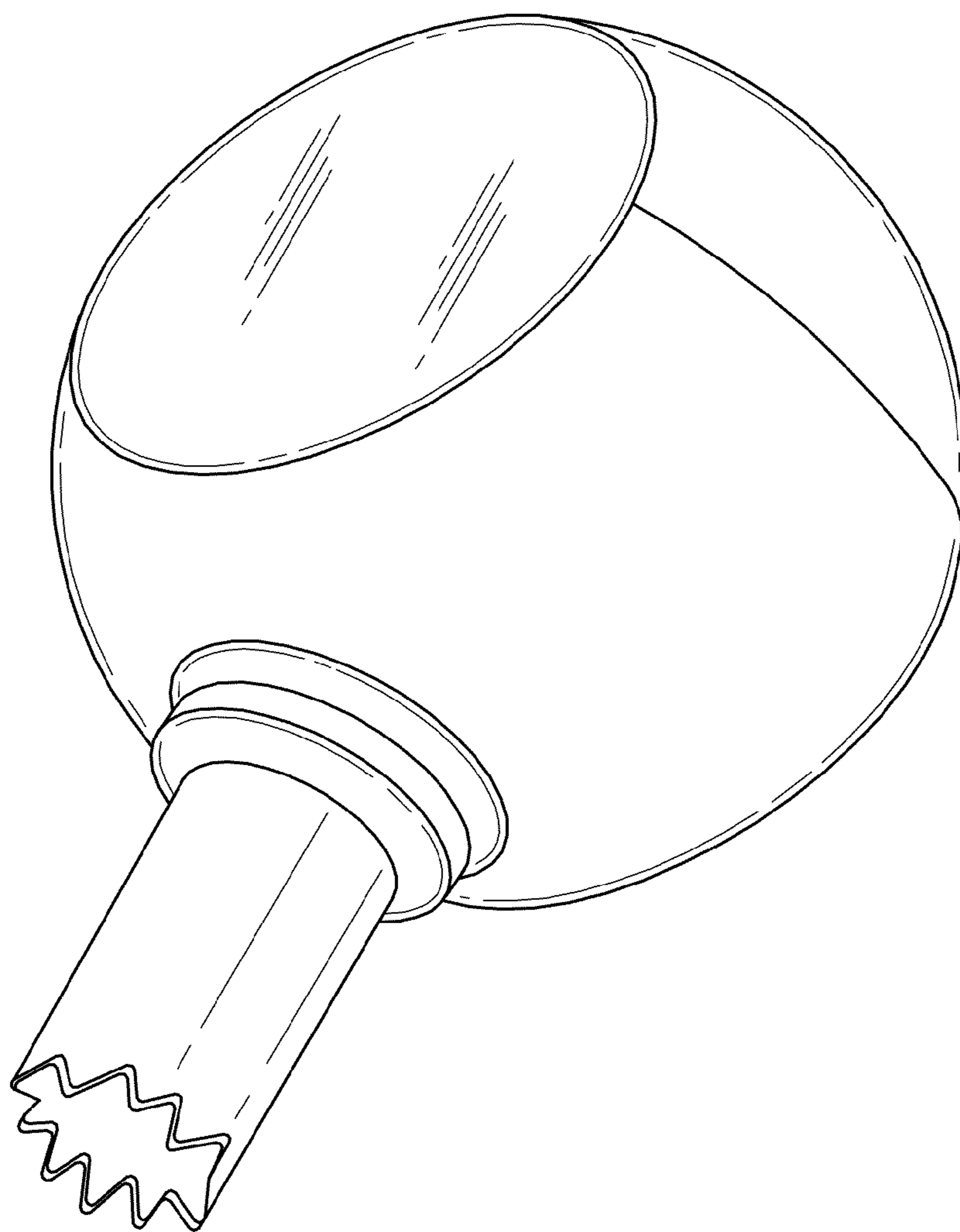


FIG. 1

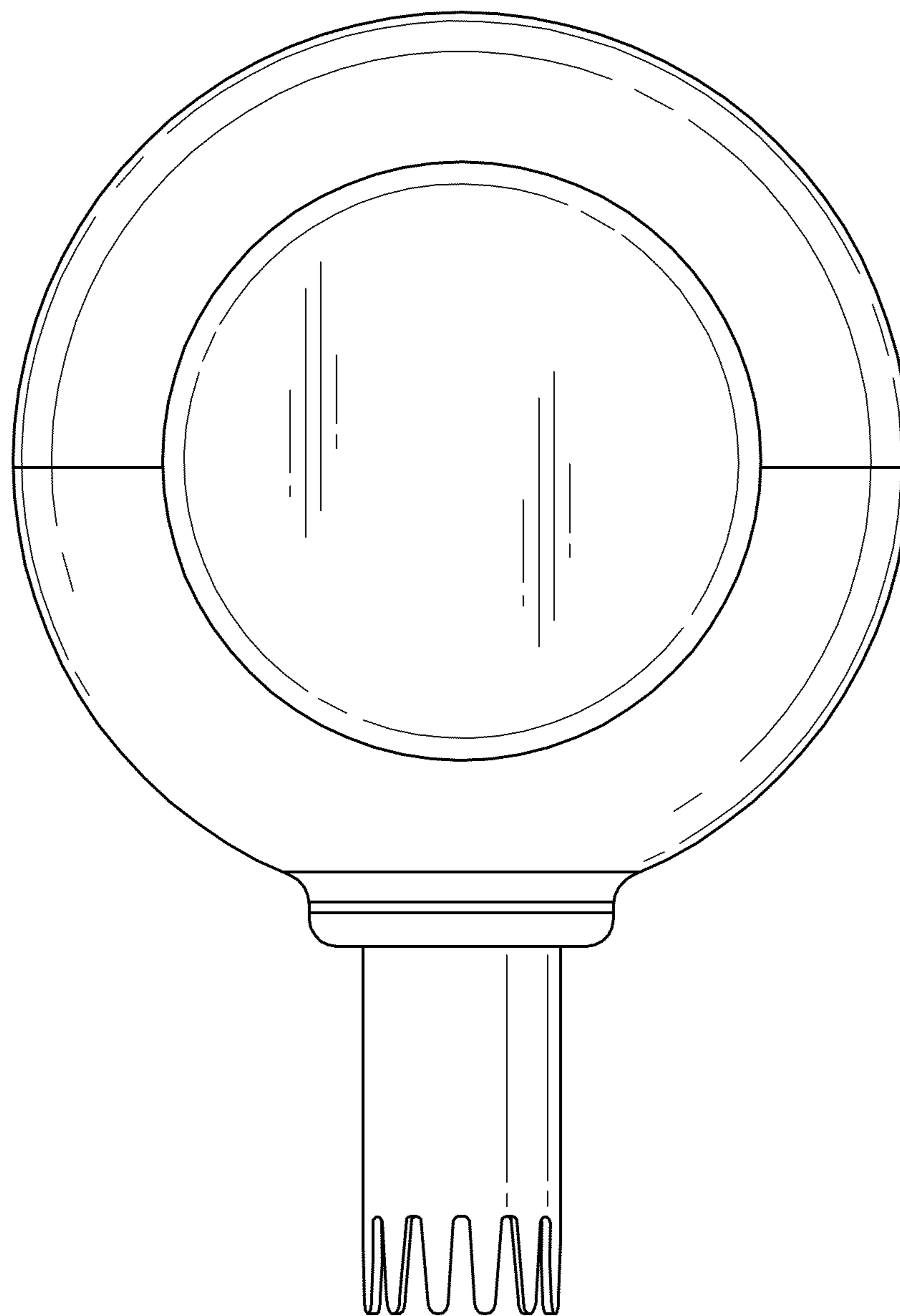


FIG. 2

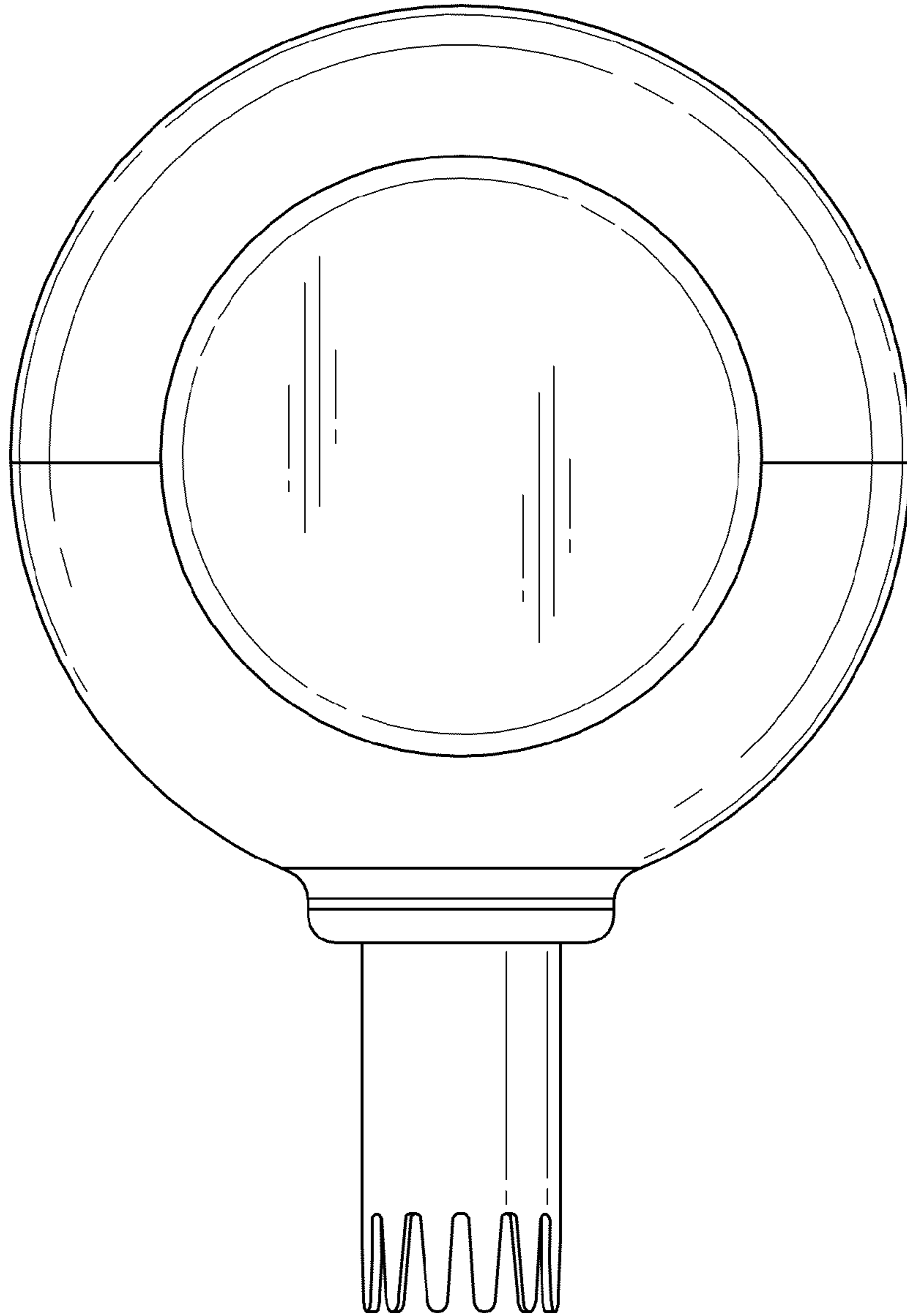


FIG. 3

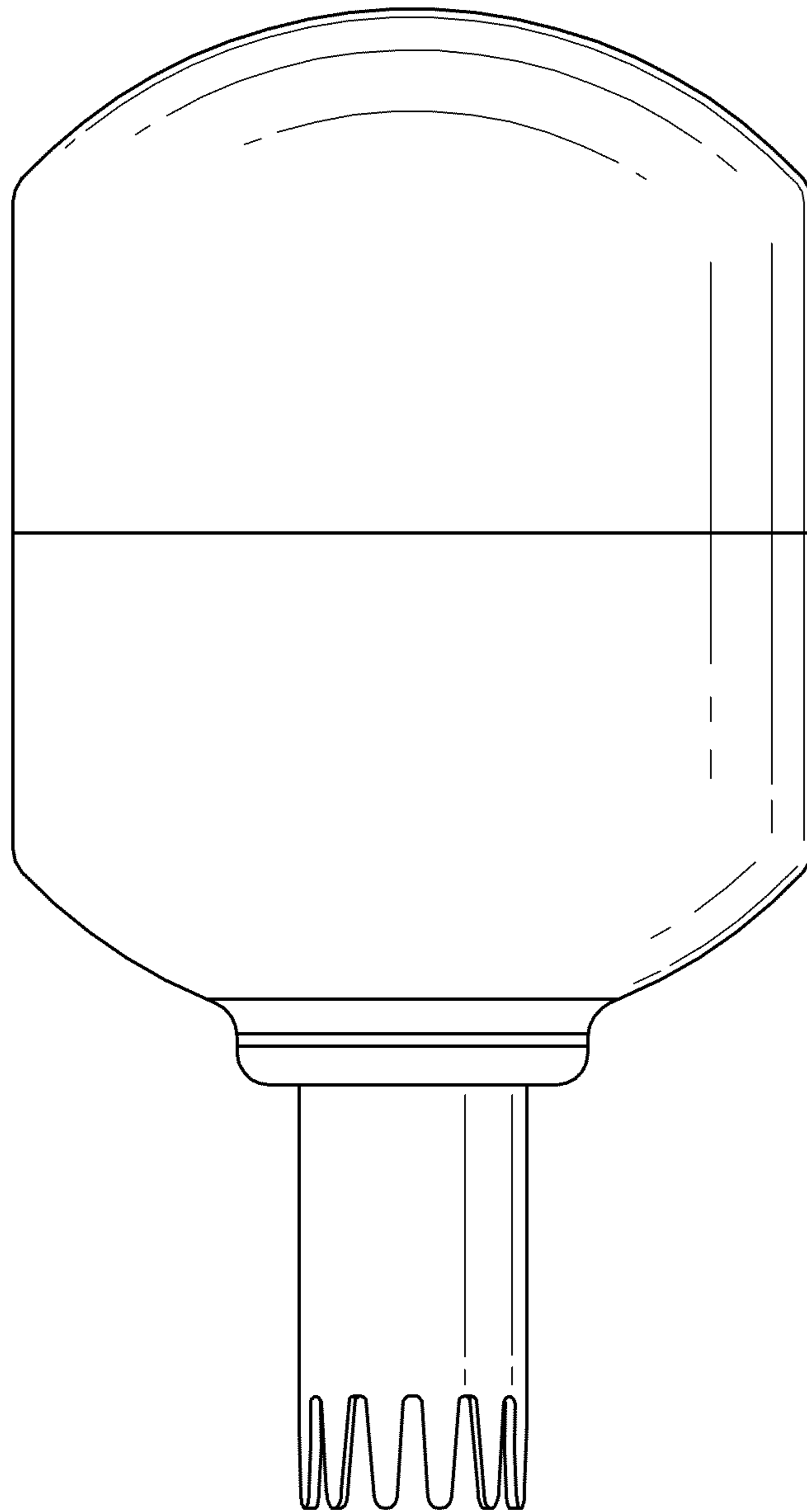


FIG. 4

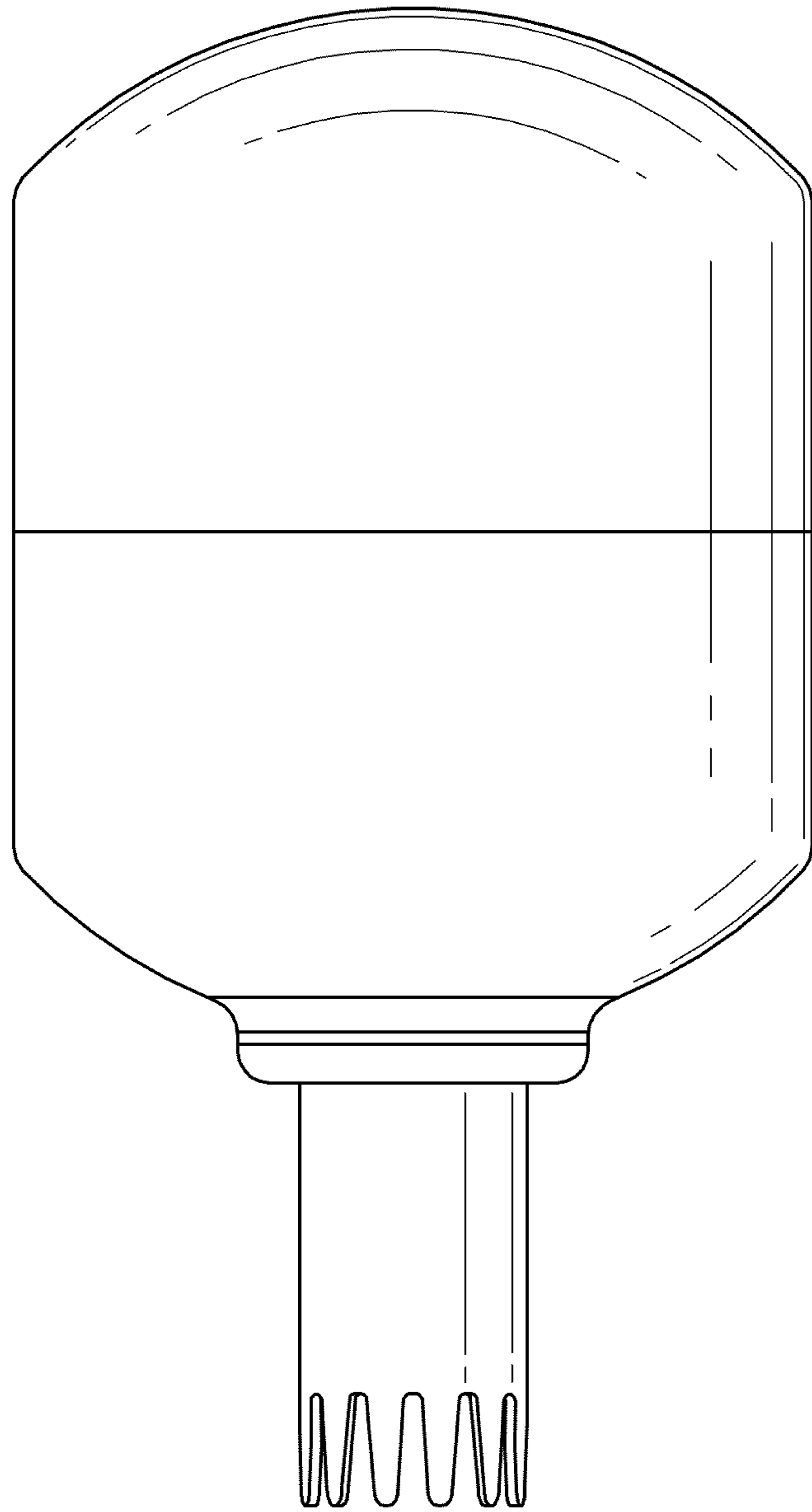


FIG. 5

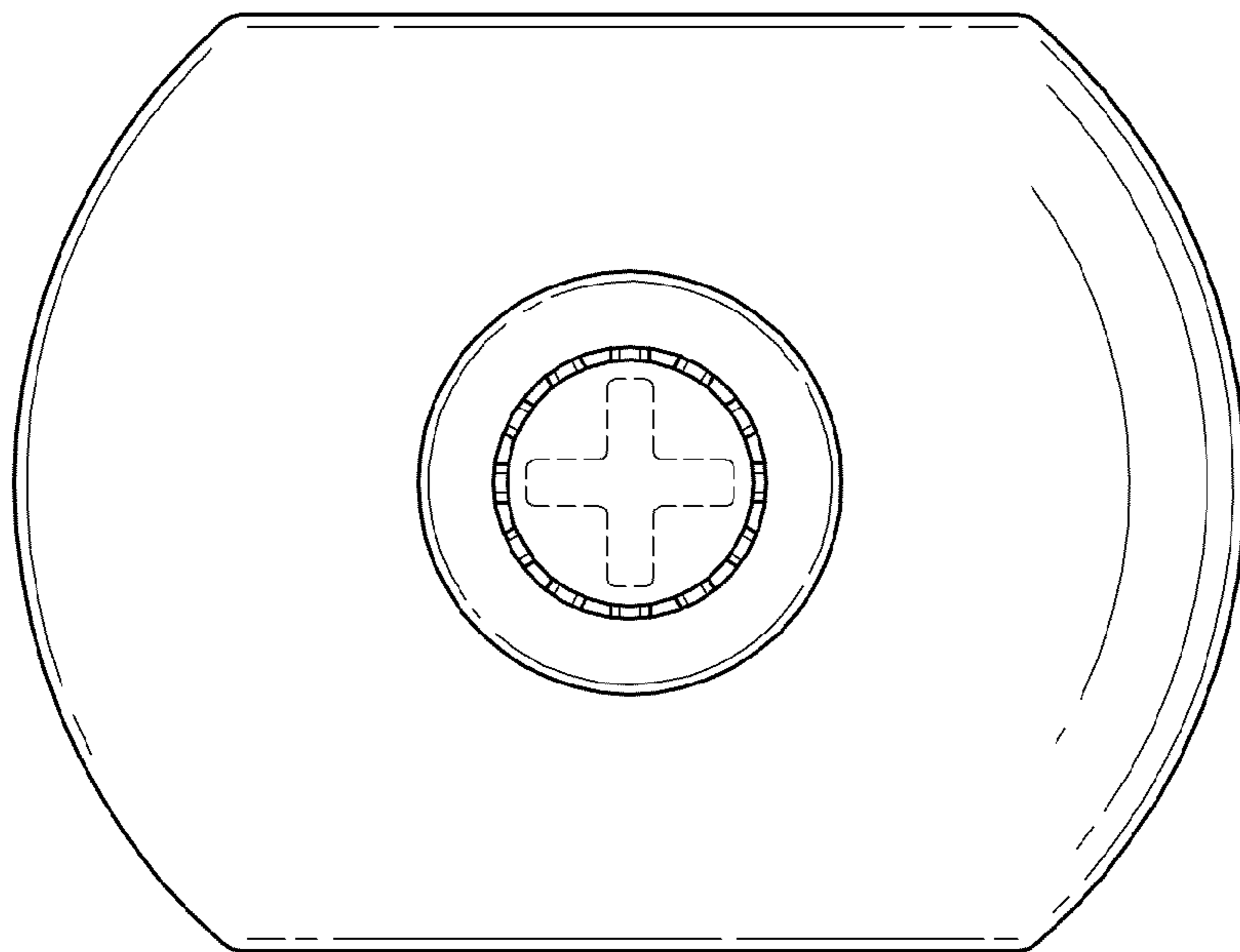


FIG. 6

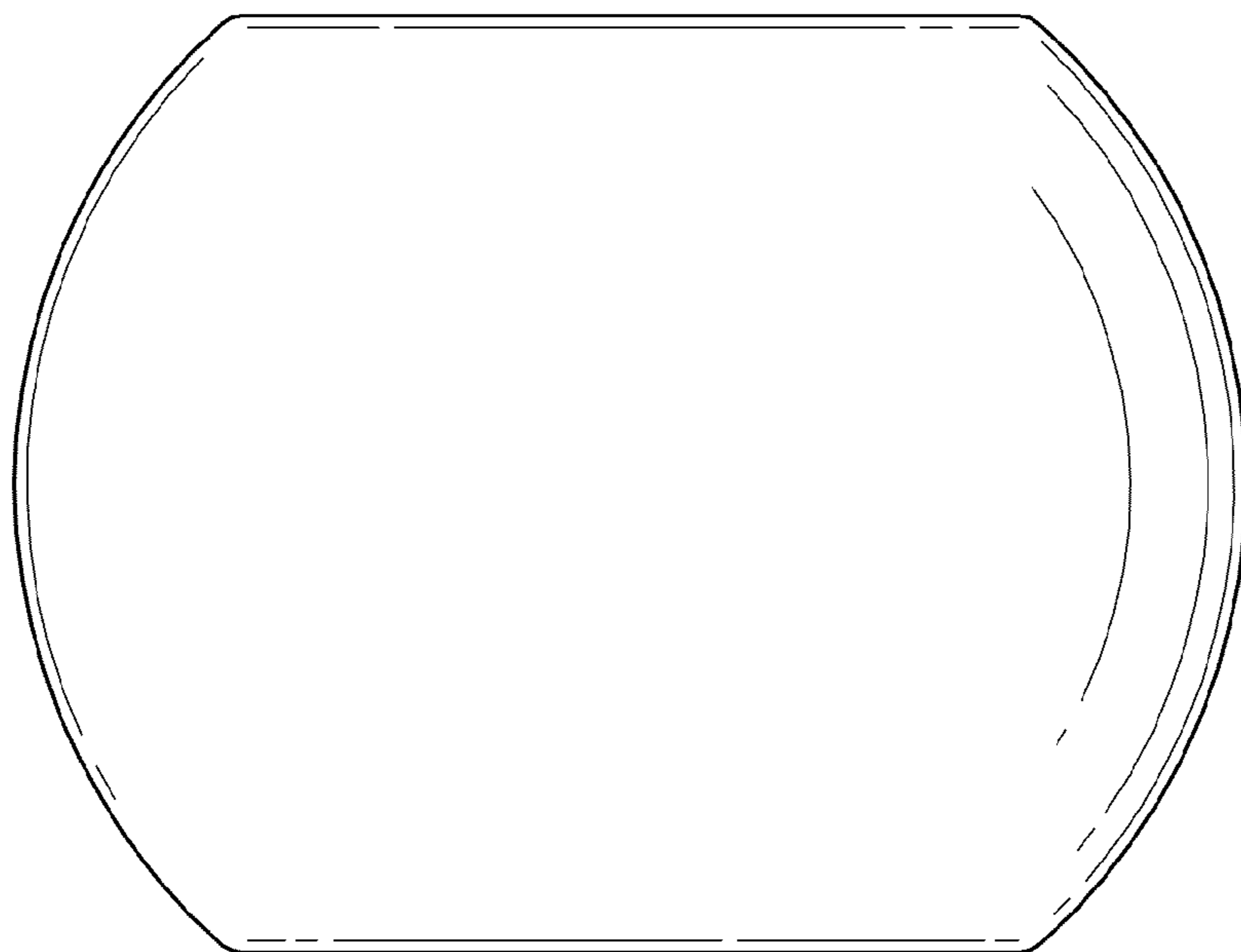


FIG. 7