



US00D722253S

(12) **United States Design Patent**
Krus

(10) **Patent No.:** **US D722,253 S**
(45) **Date of Patent:** **** Feb. 10, 2015**

(54) **PALM MINCER**

7,422,170 B2 * 9/2008 Bao 241/168
D630,912 S * 1/2011 Wong D7/693
D673,006 S * 12/2012 Kent D7/372

(71) Applicant: **Chef'n Corporation**, Seattle, WA (US)

* cited by examiner

(72) Inventor: **Matthew Krus**, Seattle, WA (US)

Primary Examiner — Terry Wallace

(73) Assignee: **Chef'n Corporation**, Seattle, WA (US)

(74) *Attorney, Agent, or Firm* — Seed IP Law Group PLLC

(**) Term: **14 Years**

(21) Appl. No.: **29/460,785**

(57) **CLAIM**

The ornamental design for a palm mincer, as shown and described.

(22) Filed: **Jul. 15, 2013**

(51) **LOC (10) Cl.** **07-04**

(52) **U.S. Cl.**

USPC **D7/693**

(58) **Field of Classification Search**

CPC A47J 43/1068; A47J 43/1025

USPC D7/693, 678, 679, 372, 373, 381, 384;

241/168, 169, 169.1, 282.1, 282.2,

241/273.1–273.4, 199.12; 99/509–513, 495

See application file for complete search history.

DESCRIPTION

FIG. 1 is a top perspective view of a palm mincer showing my new design.

FIG. 2 is a bottom perspective view thereof.

FIG. 3 is a front elevational view thereof.

FIG. 4 is a rear elevational view thereof.

FIG. 5 is a left side elevational view thereof.

FIG. 6 is a right side elevational view thereof.

FIG. 7 is a top plan view thereof; and,

FIG. 8 is a bottom plan view thereof.

The broken lines in the figures form no part of the claimed design.

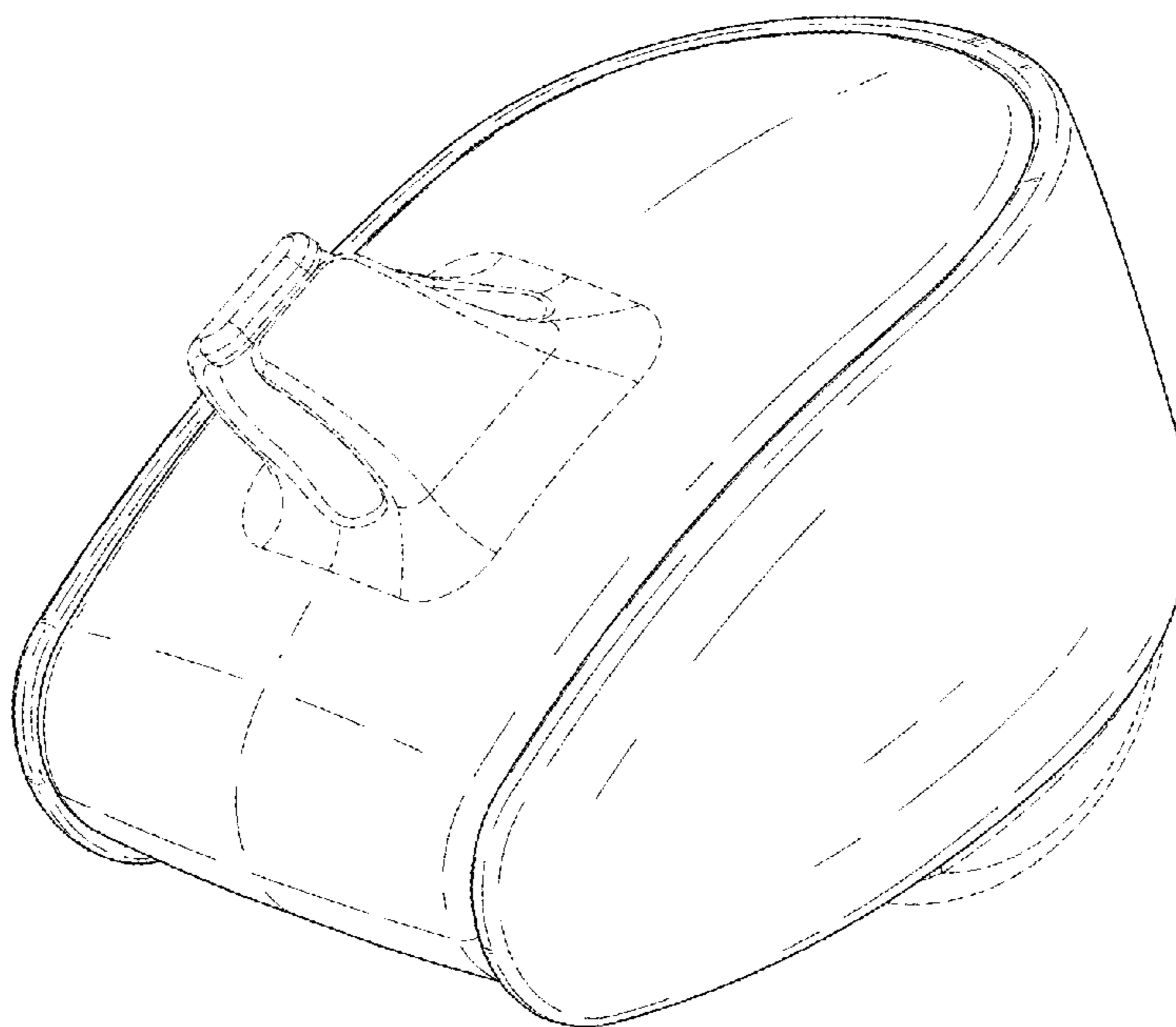
(56) **References Cited**

U.S. PATENT DOCUMENTS

D303,482 S * 9/1989 Barrault D7/381

7,059,553 B2 * 6/2006 Mueller 241/199.12

1 Claim, 6 Drawing Sheets



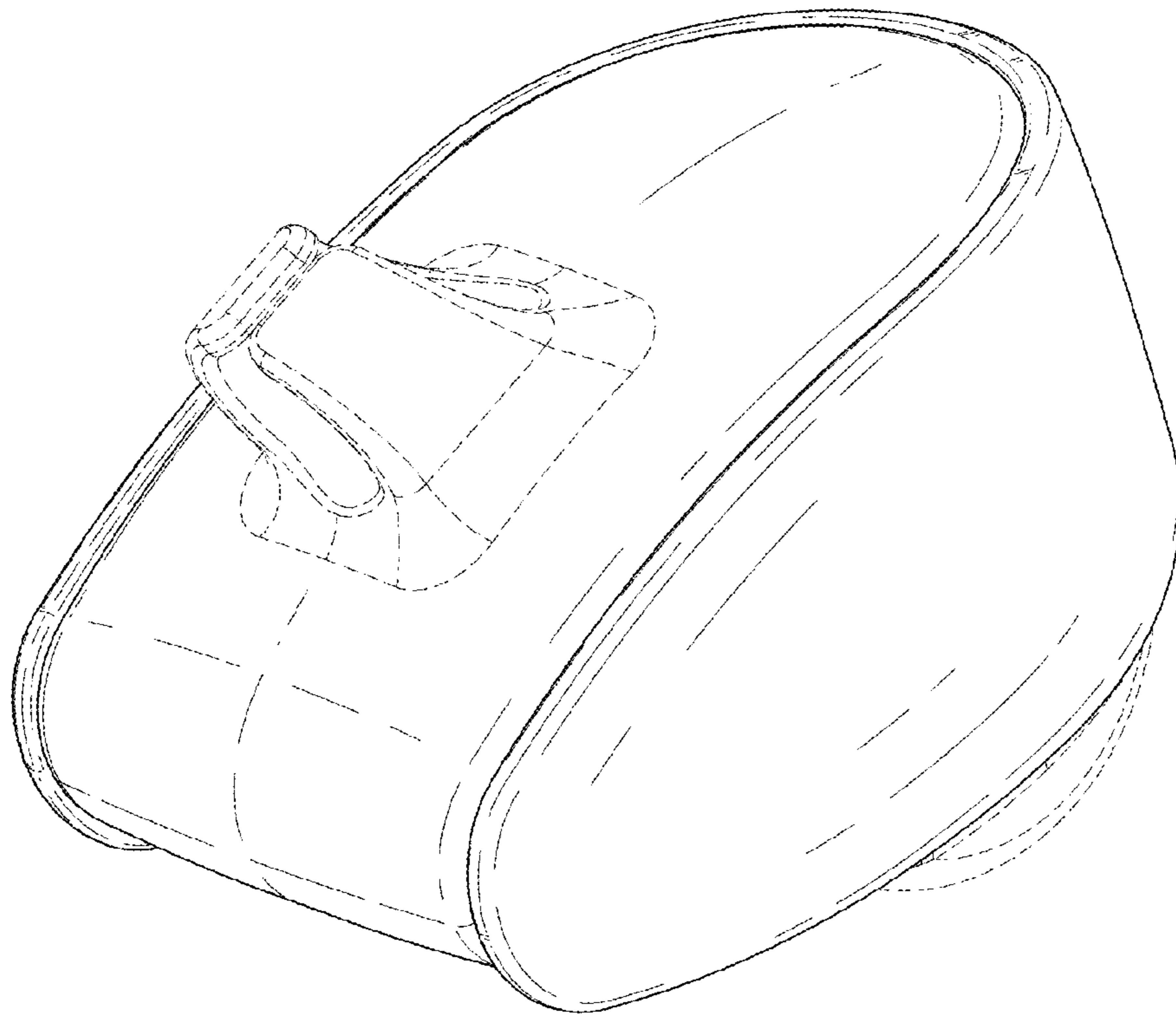


FIG. 1

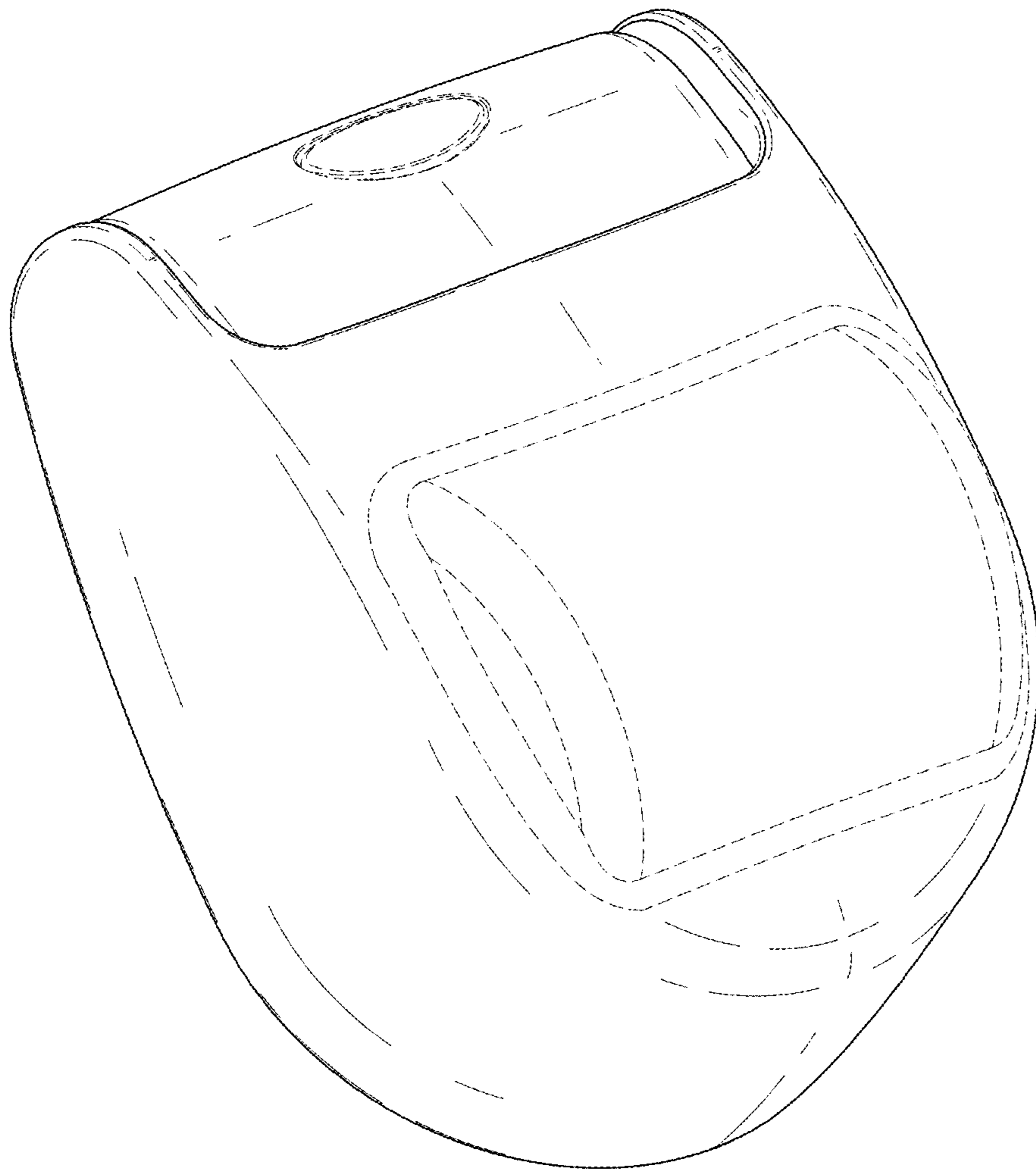


FIG. 2

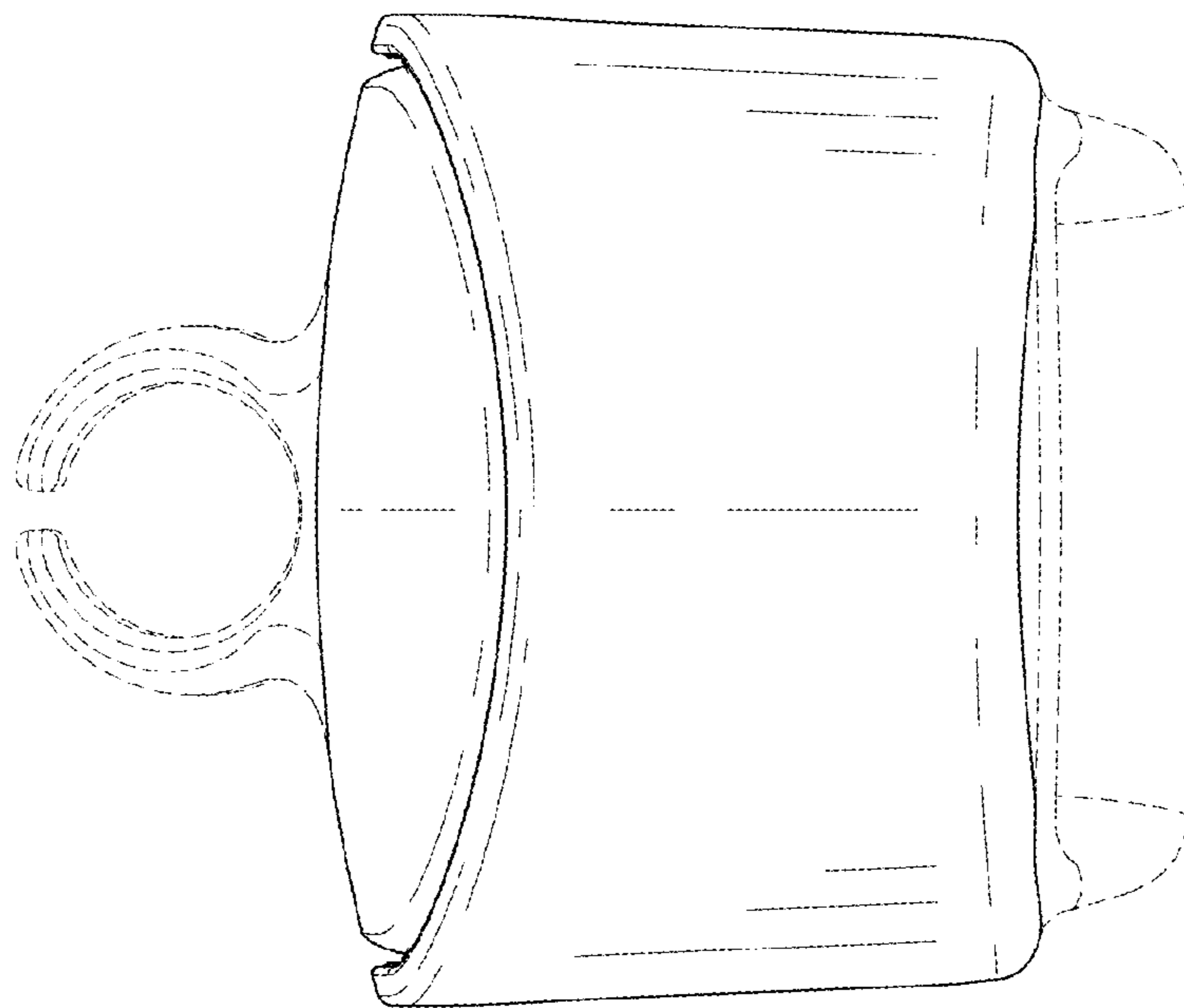


FIG. 4

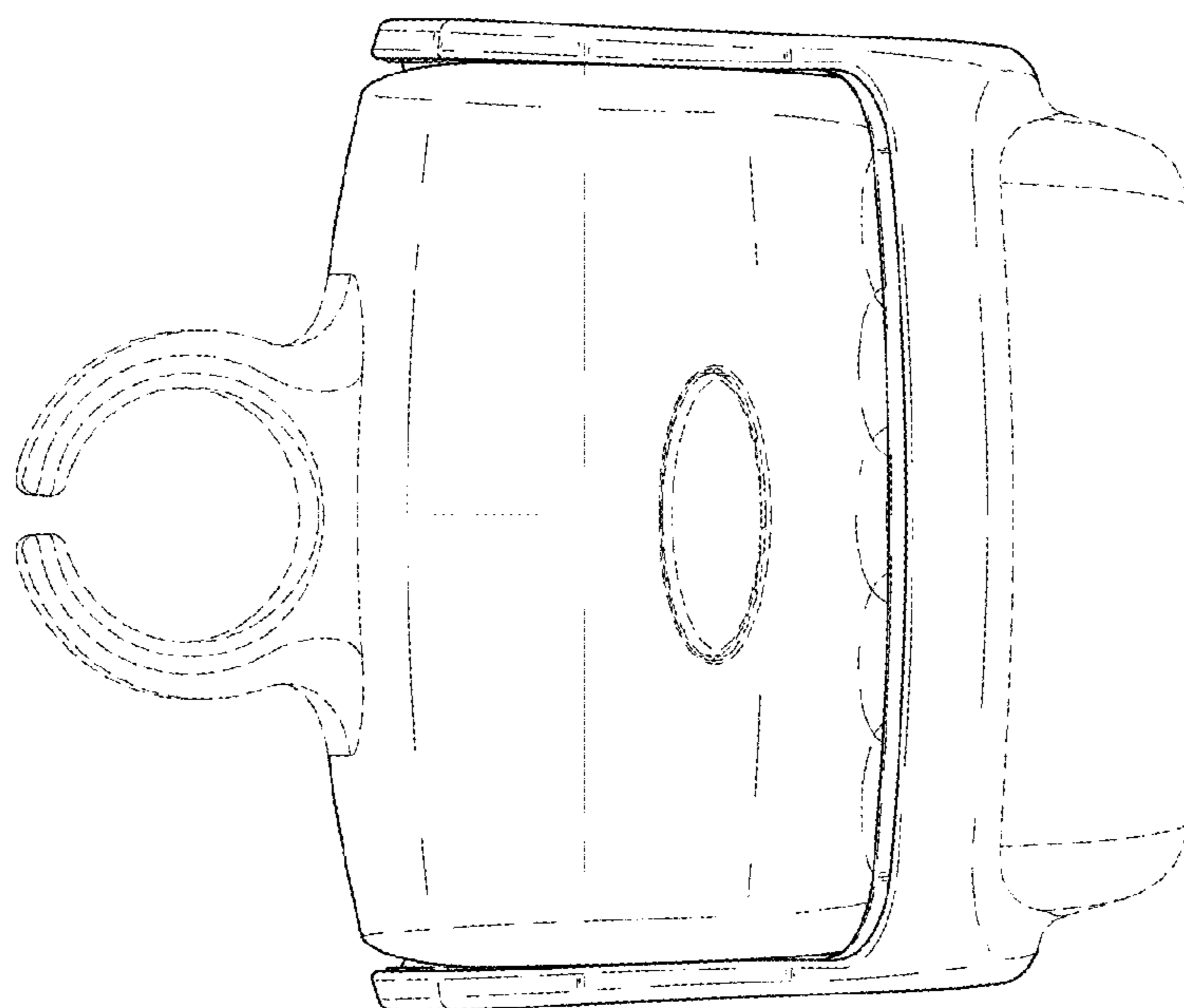


FIG. 3

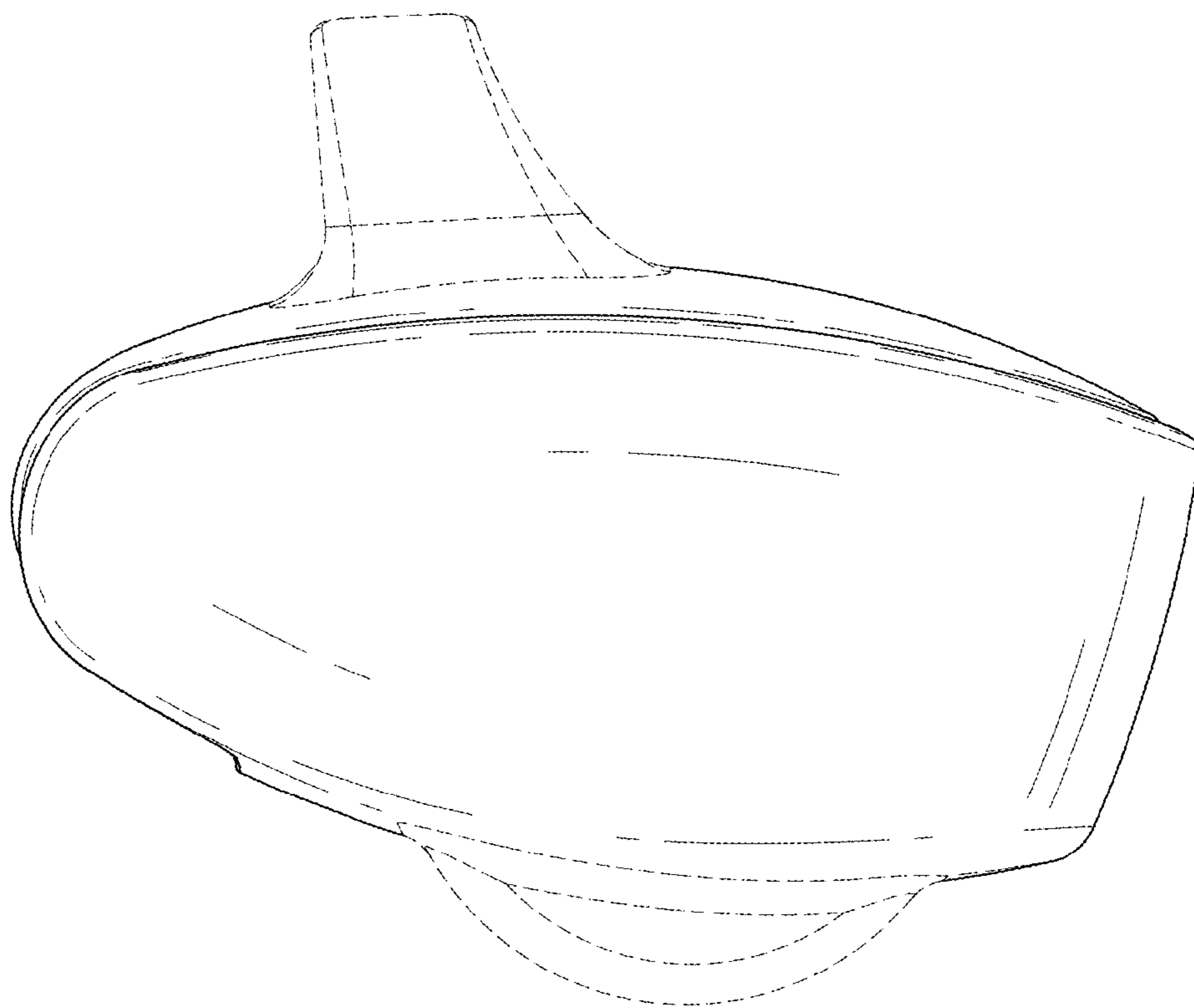


FIG. 5

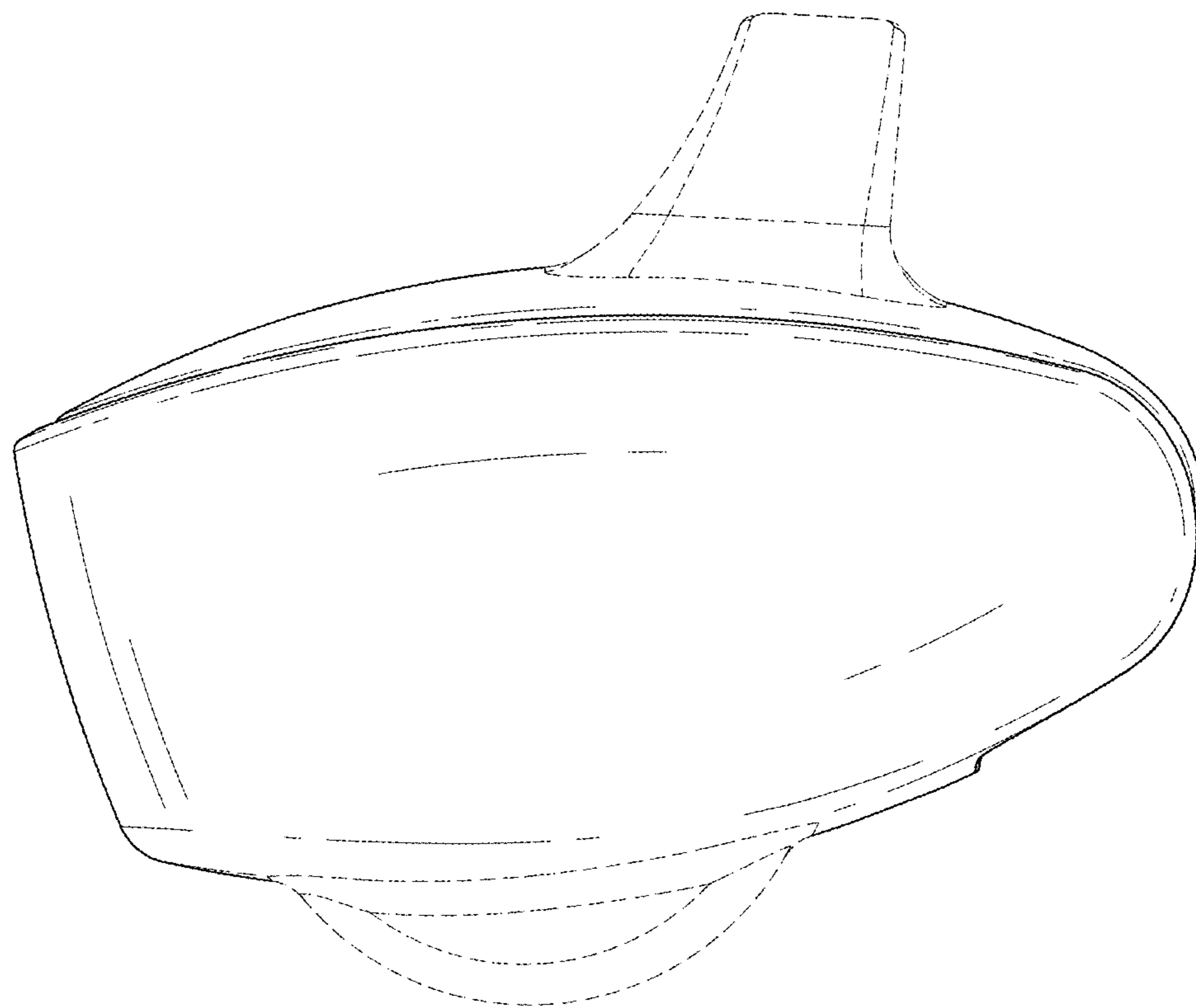


FIG. 6

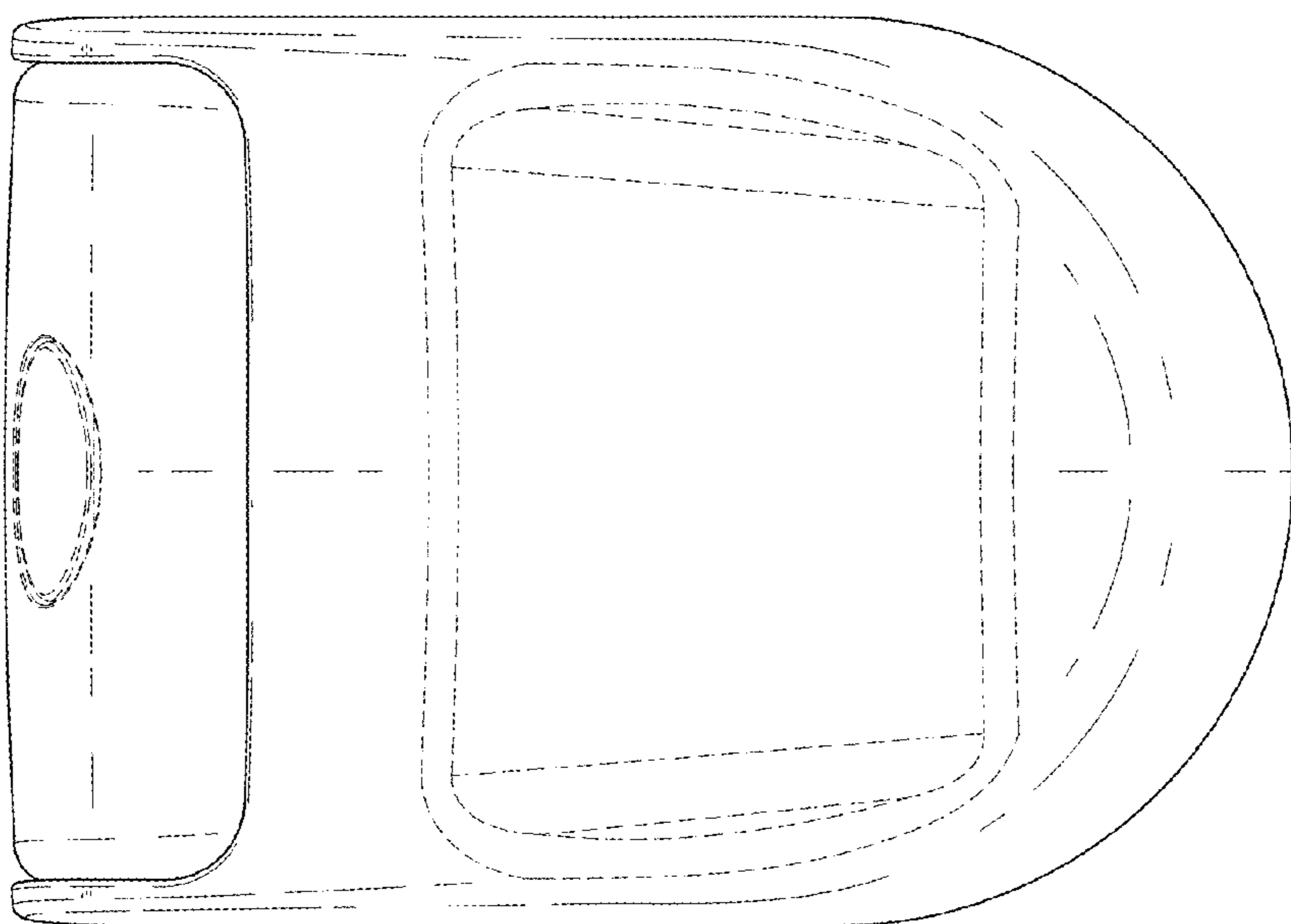


FIG. 7

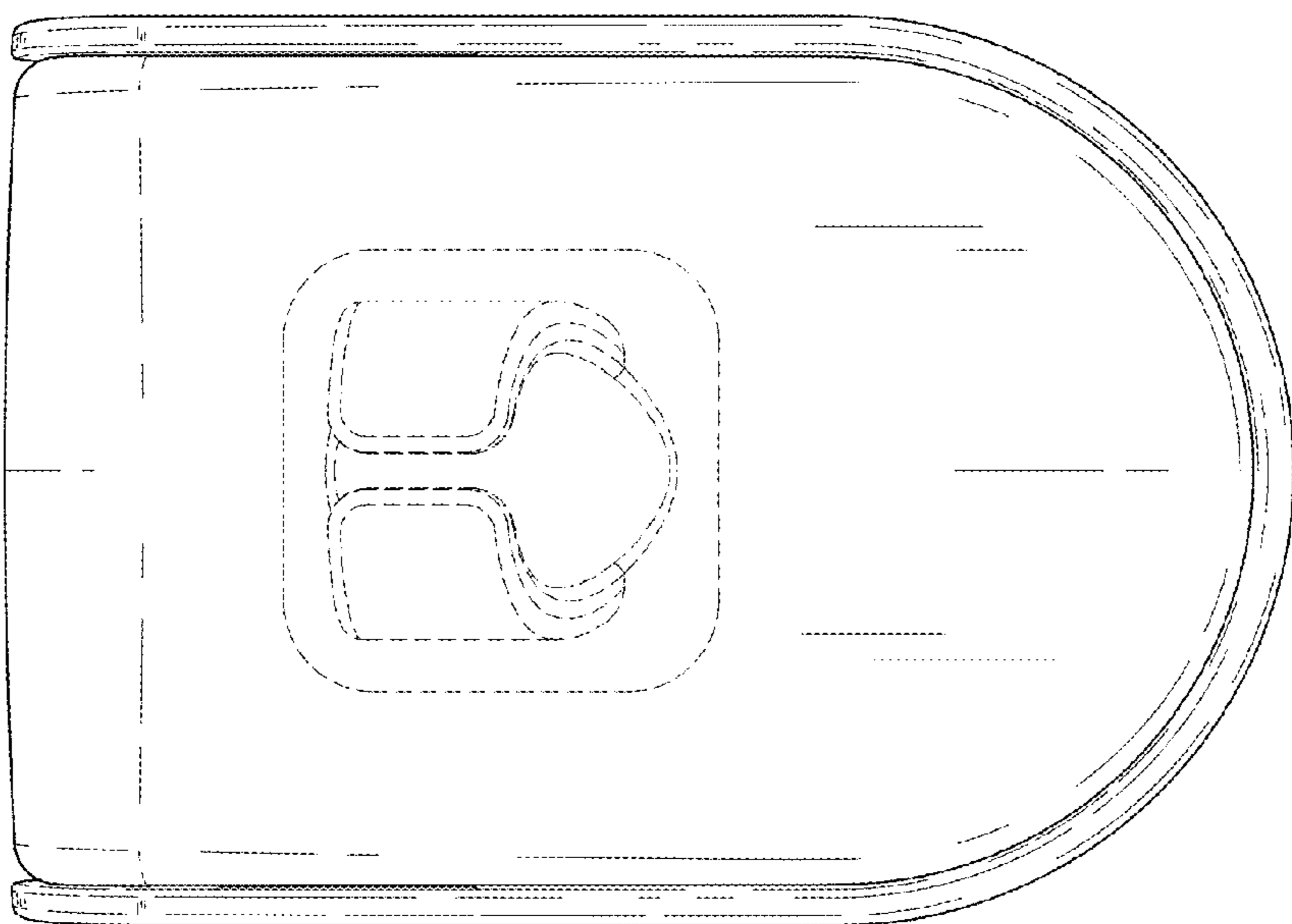


FIG. 8