



US00D722250S

(12) **United States Design Patent**
Borovicka

(10) **Patent No.:** **US D722,250 S**

(45) **Date of Patent:** **** Feb. 10, 2015**

- (54) **CHICKEN WING RACK**
- (71) Applicant: **Charcoal Companion Incorporated**,
Berkeley, CA (US)
- (72) Inventor: **Cory Thomas Borovicka**, Oakland, CA
(US)
- (73) Assignee: **Charcoal Companion Incorporated**,
Emeryville, CA (US)
- (**) Term: **14 Years**
- (21) Appl. No.: **29/460,654**

| | | | | |
|-----------|------|---------|------------------|----------|
| 5,791,235 | A * | 8/1998 | Anselmo | 99/426 |
| 6,827,006 | B1 * | 12/2004 | D'Amato et al. | 99/426 |
| 6,945,161 | B1 | 9/2005 | Battaglia et al. | |
| 7,040,219 | B1 | 5/2006 | D'Amato et al. | |
| D535,855 | S | 1/2007 | Adams | |
| D538,106 | S | 3/2007 | Julian | |
| D542,092 | S | 5/2007 | Raichlen et al. | |
| D612,693 | S * | 3/2010 | Accardo | D7/669 |
| D615,355 | S * | 5/2010 | Viahos | D7/409 |
| D658,939 | S | 5/2012 | Adams et al. | |
| D661,929 | S * | 6/2012 | Purcell et al. | D6/525 |
| D666,872 | S * | 9/2012 | Maher | D7/402 |
| D670,968 | S * | 11/2012 | Maher | D7/403 |
| D689,716 | S * | 9/2013 | Chase | D6/677.2 |
| D692,722 | S * | 11/2013 | Maher | D7/402 |

* cited by examiner

- (22) Filed: **Jul. 12, 2013**
- (51) **LOC (10) Cl.** **07-02**
- (52) **U.S. Cl.**
USPC **D7/409**
- (58) **Field of Classification Search**
USPC D6/525, 677.2; D7/323, 332, 335-337,
D7/354-355, 359-364, 387-388, 402-403,
D7/407-409, 669; 99/324, 419, 421 H,
99/421 V, 422-426, 448, 450; 126/1 R,
126/25 AA, 41 R, 214 C, 332, 337 R, 339;
211/181.1; 220/571, 573.1-573.3;
312/410; 422/310; 426/509, 523
See application file for complete search history.

Primary Examiner — Ricky Pham

(74) *Attorney, Agent, or Firm* — Beeson Skinner Beverly, LLP

(57) **CLAIM**

The ornamental design for a chicken wing rack, as shown and described.

DESCRIPTION

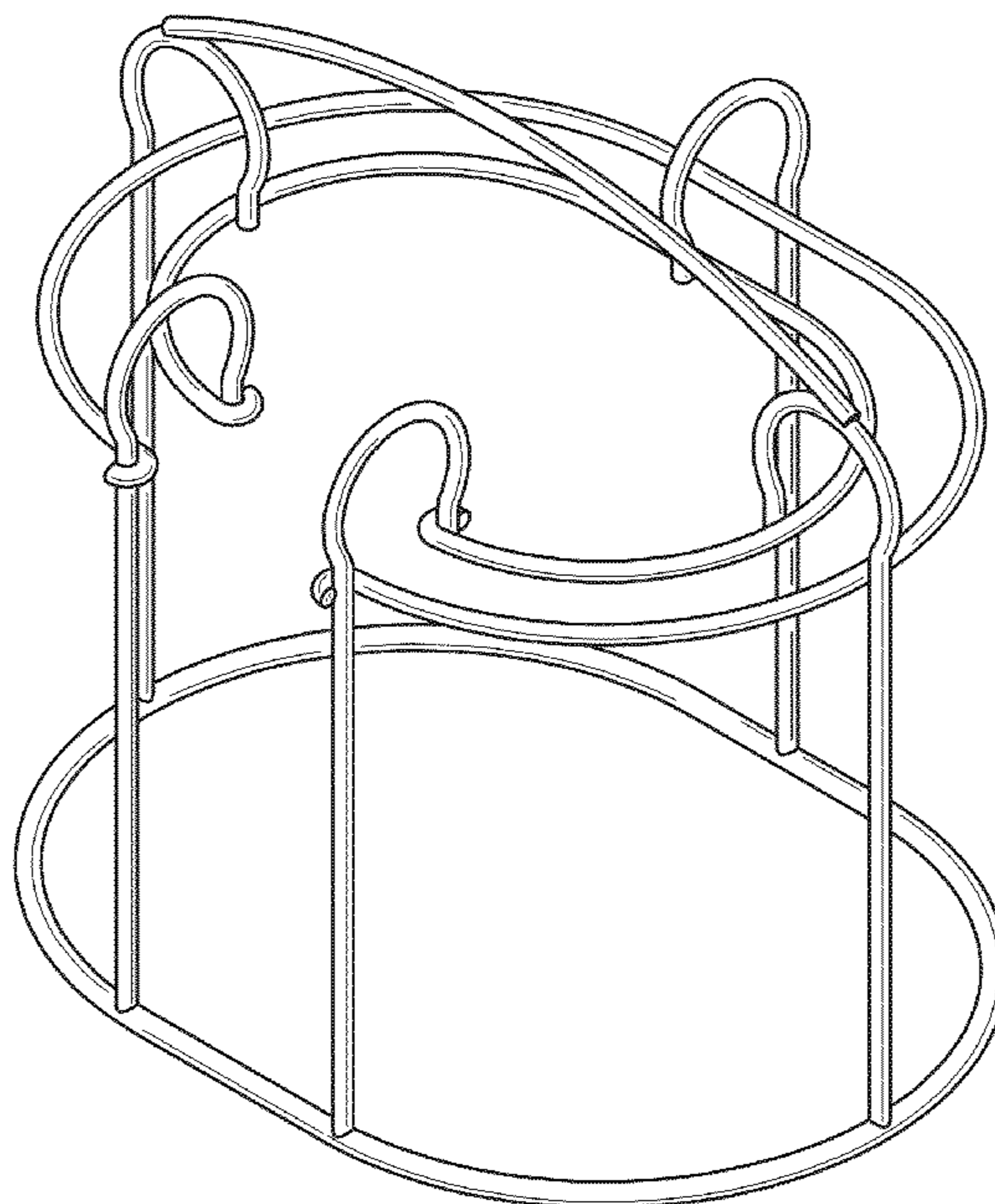
FIG. 1 is a top perspective view of a chicken wing rack showing my new design;
 FIG. 2 is a bottom perspective view thereof;
 FIG. 3 is a front elevational view thereof;
 FIG. 4 is a right side elevational view thereof, the left side being a mirror image;
 FIG. 5 is a rear elevational view thereof;
 FIG. 6 is a top plan view thereof; and,
 FIG. 7 is a bottom plan view thereof.

(56) **References Cited**

U.S. PATENT DOCUMENTS

| | | | | |
|-----------|-----|---------|------------------|-----------|
| 2,552,983 | A * | 5/1951 | Lee | 422/310 |
| 3,532,225 | A * | 10/1970 | Reed | 211/181.1 |
| 4,458,585 | A * | 7/1984 | Erbach | 99/419 |
| 5,730,046 | A * | 3/1998 | Battaglia et al. | 99/426 |

1 Claim, 5 Drawing Sheets



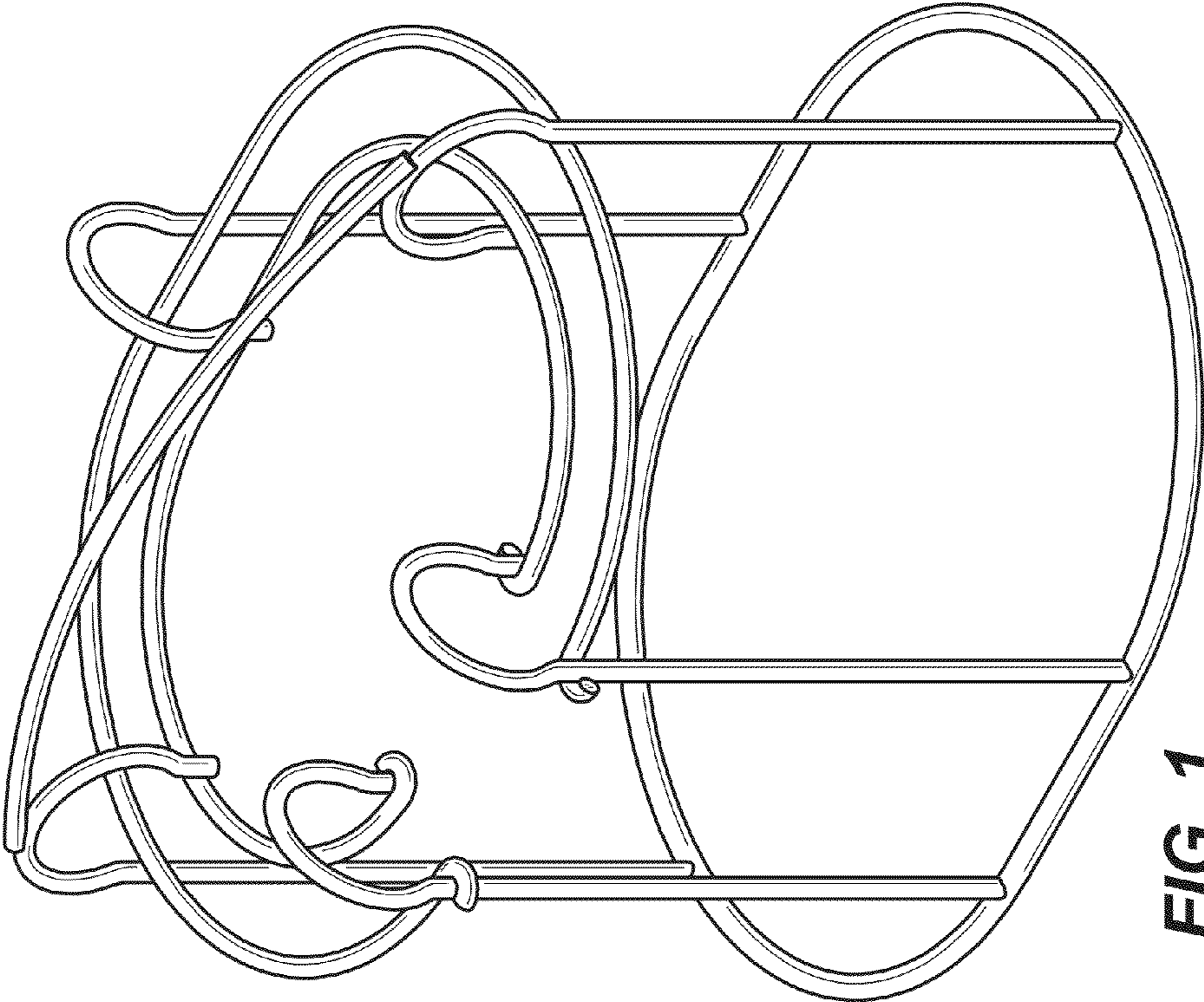


FIG. 1

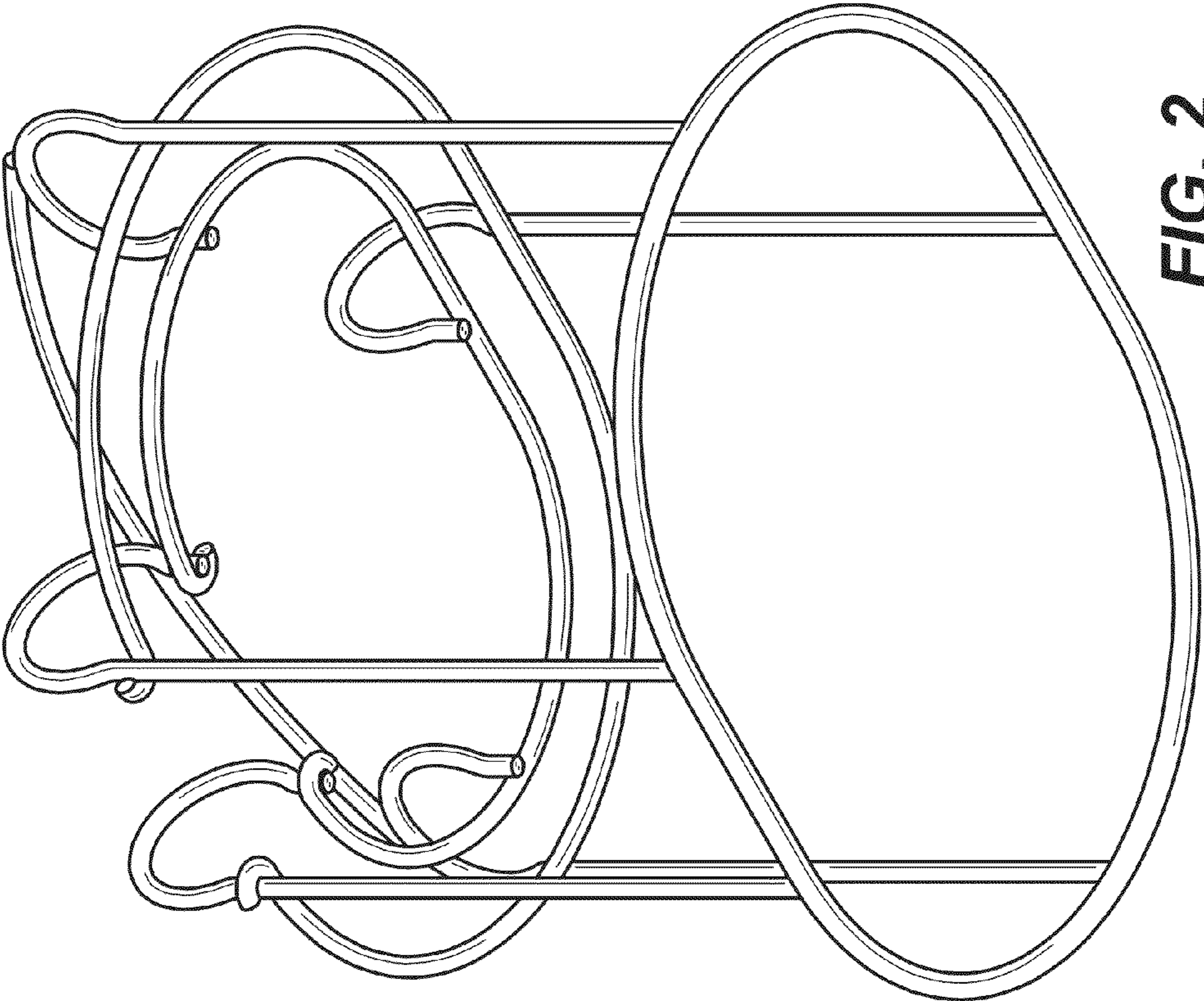


FIG. 2

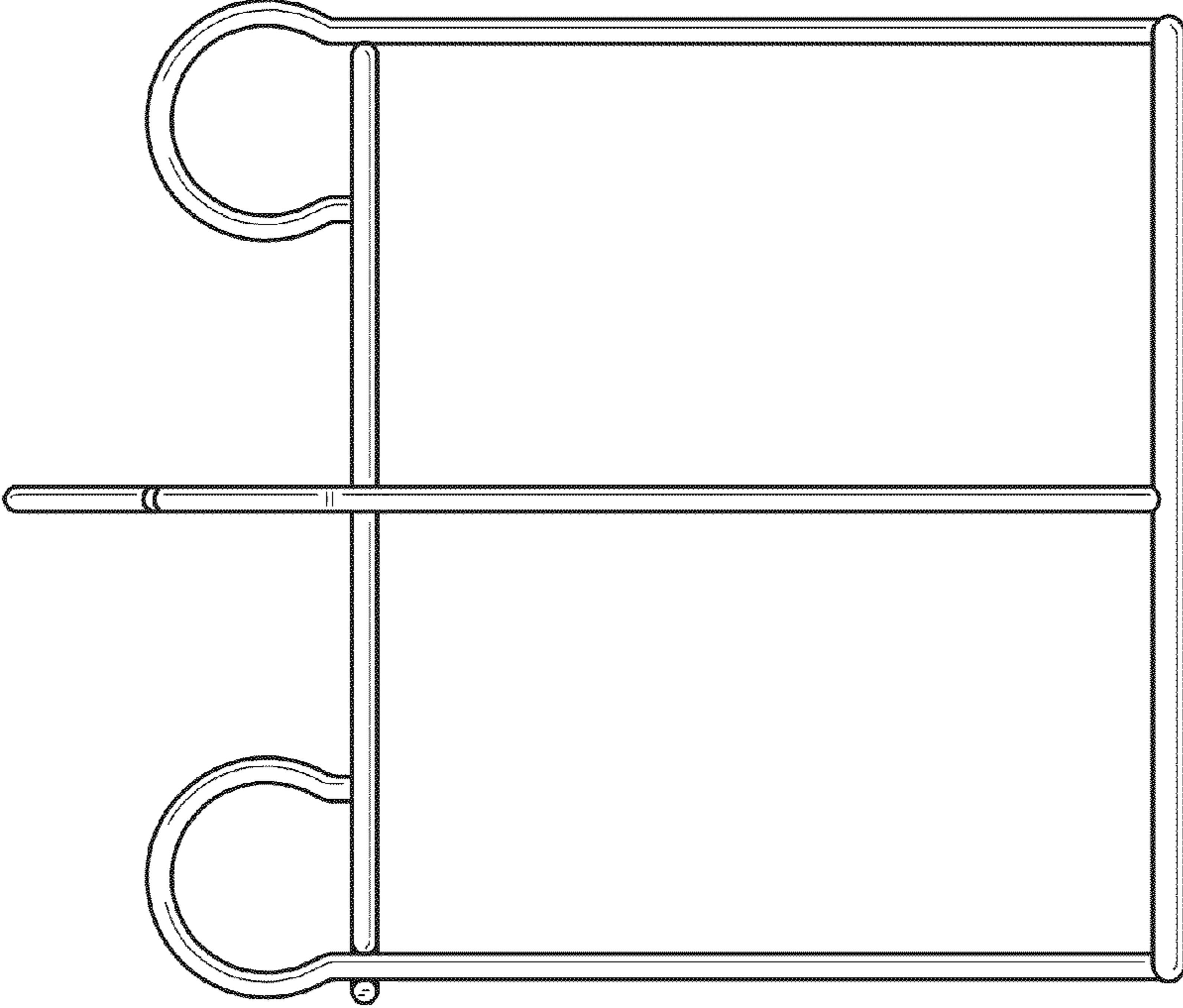


FIG. 4

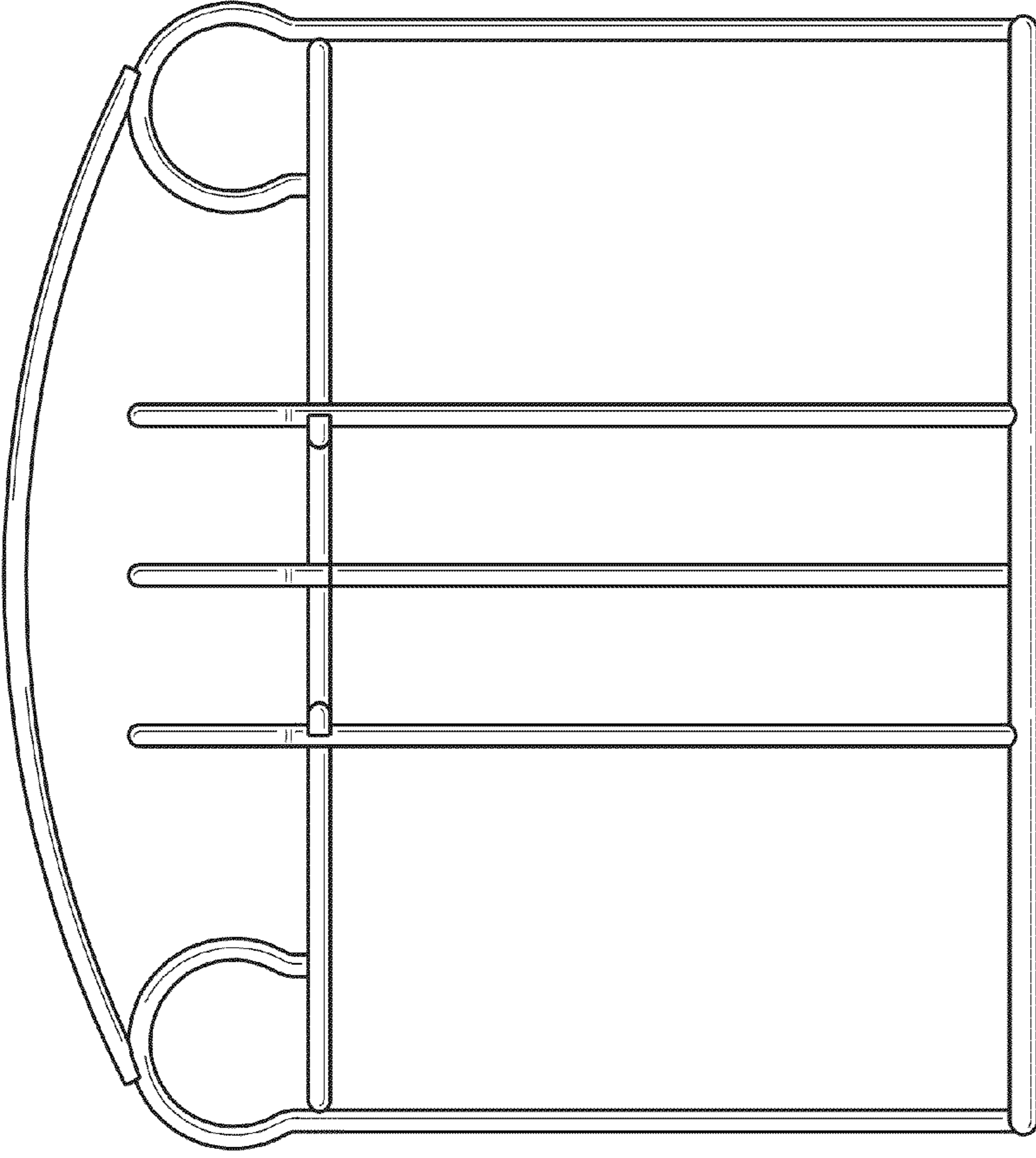


FIG. 3

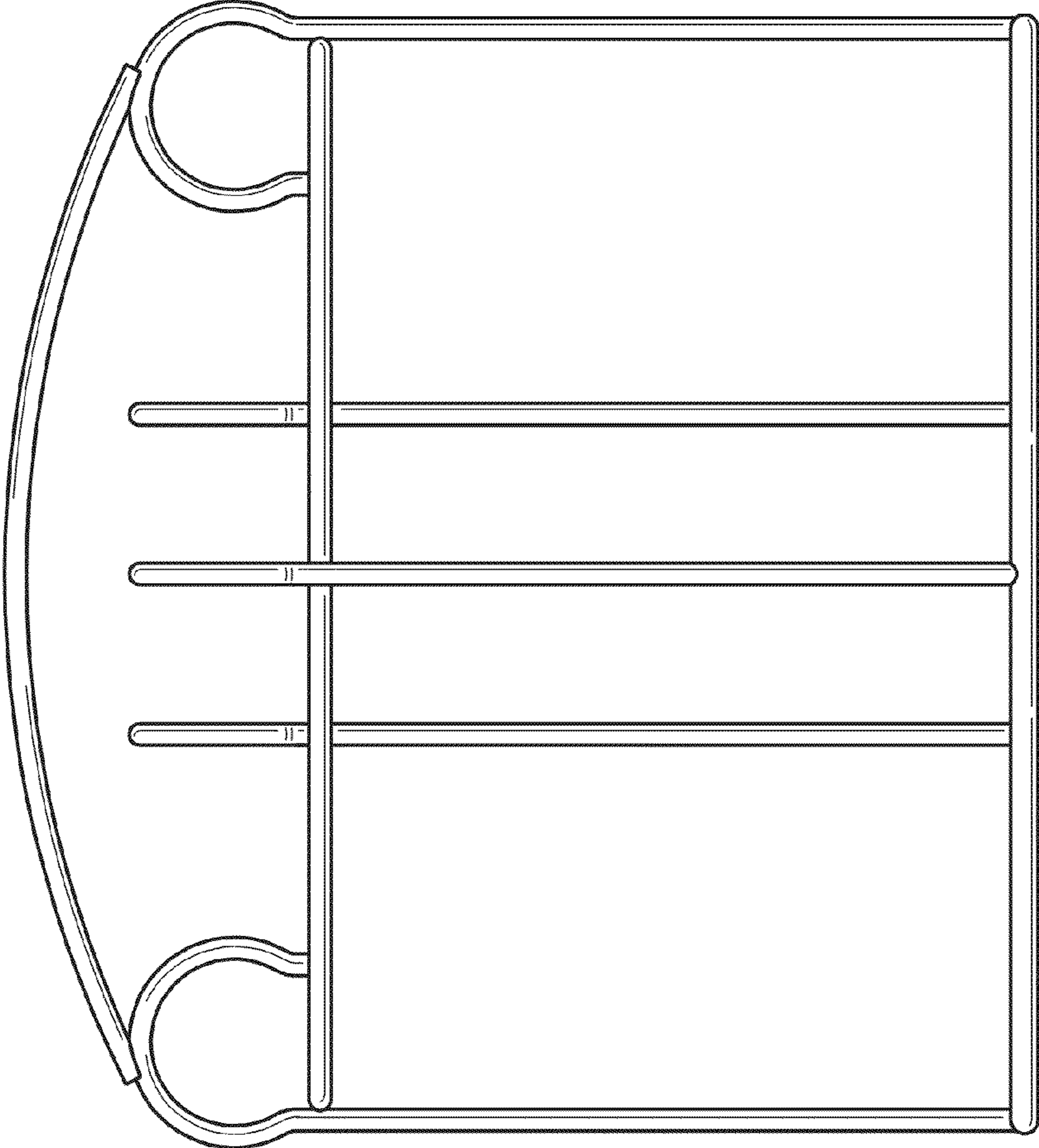


FIG. 5

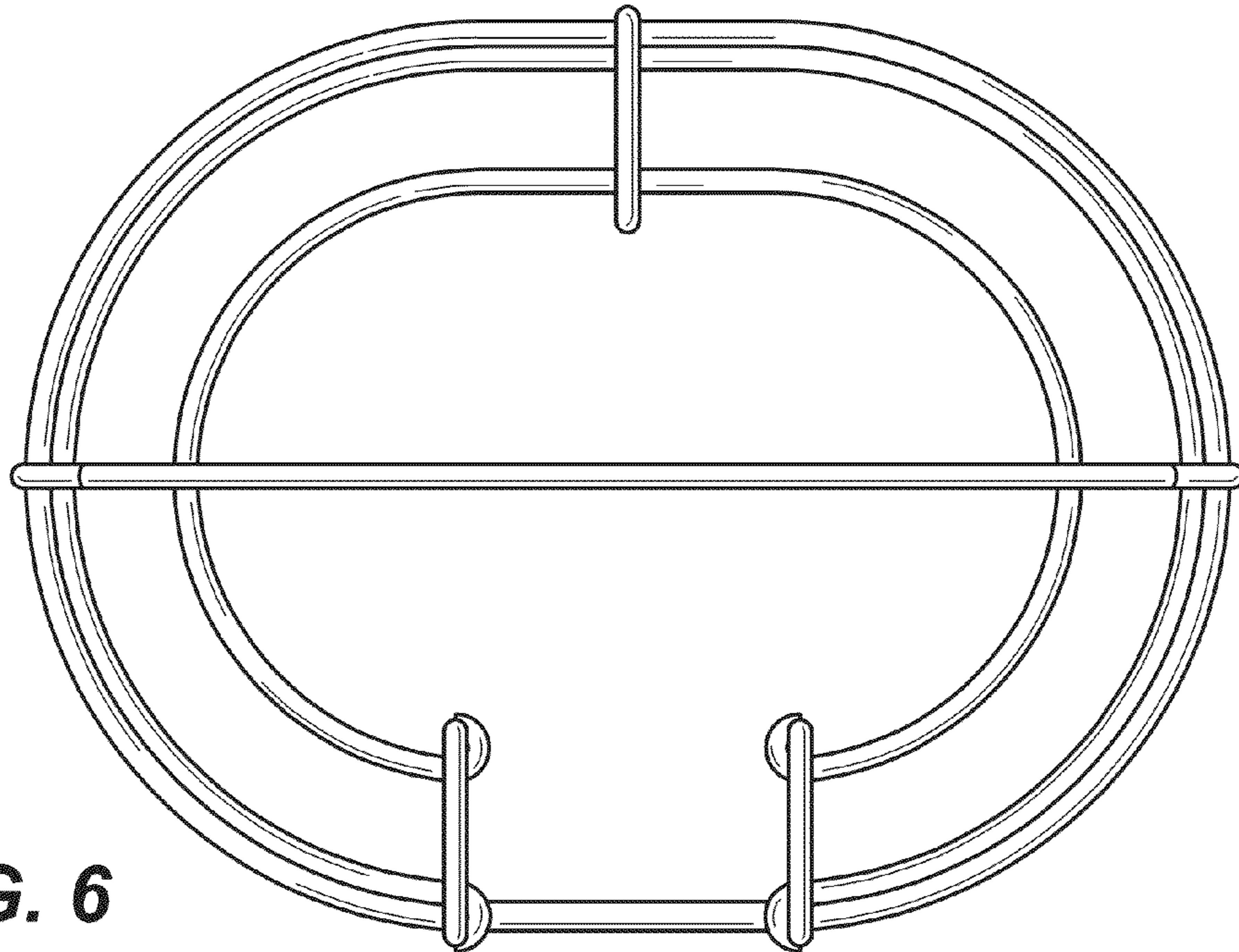


FIG. 6

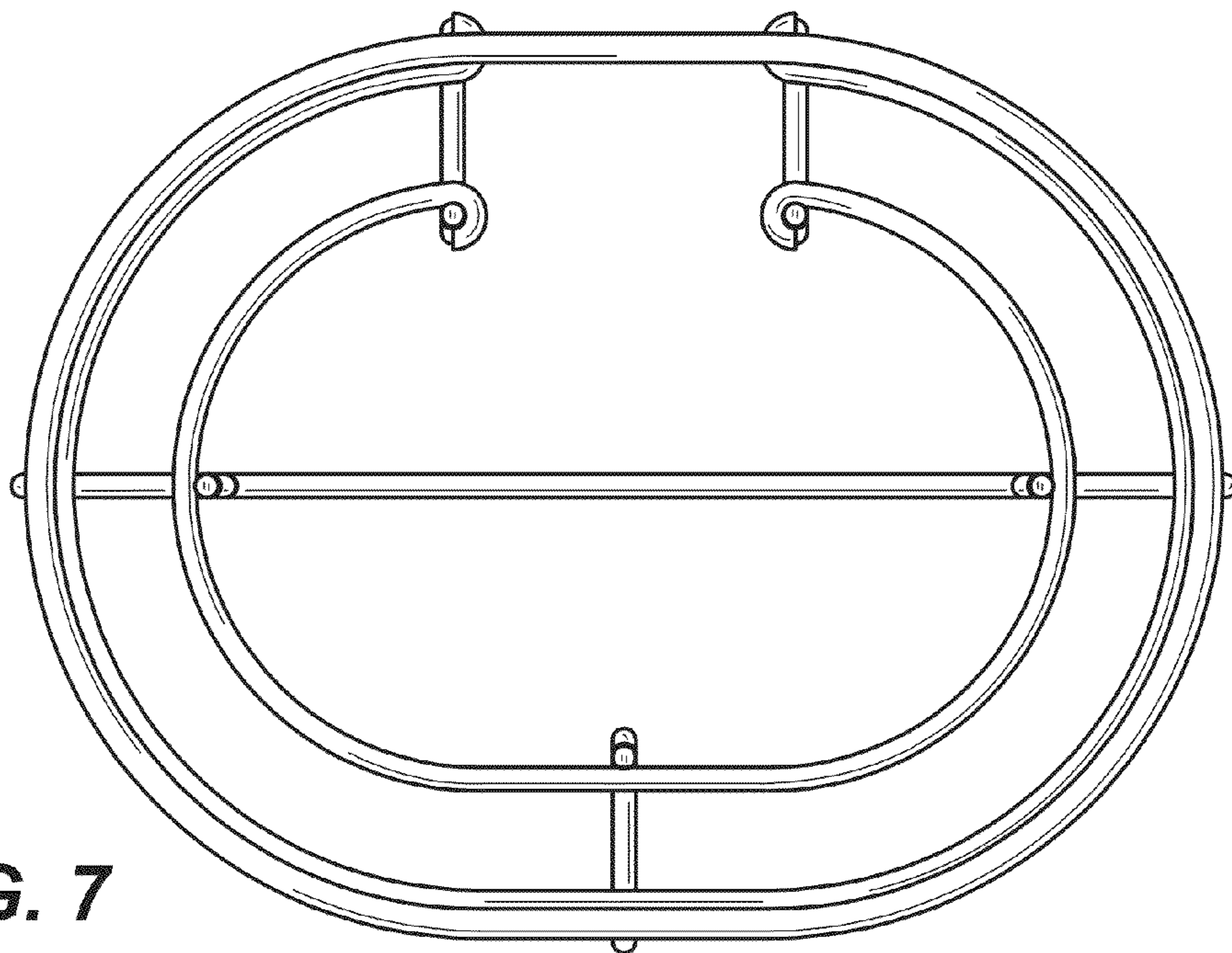


FIG. 7