



US00D722247S

(12) **United States Design Patent**
Rudisill et al.

(10) **Patent No.:** **US D722,247 S**

(45) **Date of Patent:** **** Feb. 10, 2015**

(54) **LID**

(76) Inventors: **L. Edwin Rudisill**, Greer, SC (US);
Cathy L. Rudisill, Greer, SC (US)

(**) **Term:** **14 Years**

(21) **Appl. No.:** **29/431,637**

(22) **Filed:** **Sep. 10, 2012**

(51) **LOC (10) Cl.** **07-01**

(52) **U.S. Cl.**
USPC **D7/396.2; D7/392.1**

(58) **Field of Classification Search**
CPC B65D 2543/00046; B65D 2543/00092;
B65D 77/283
USPC D7/300, 300.2, 391, 392, 392.1, 396.1,
D7/397, 398, 500, 507, 509, 510, 511, 514,
D7/516; D9/434, 435, 436, 440-443, 447,
D9/450-452, 454, 520, 668, 682; D34/4;
215/200, 217, 222, 223, 229, 235, 236,
215/252, 254, 329, 238, 243, 305, 316-323,
215/355-364; 222/553, 566, 568, 570
See application file for complete search history.

D475,295 S * 6/2003 Love D9/451
D650,275 S * 12/2011 Dunwoody D9/435
D670,960 S * 11/2012 Rudisill, Jr. D7/392.1
D670,961 S * 11/2012 Rudisill, Jr. D7/392.1
D670,962 S * 11/2012 Rudisill, Jr. D7/392.1
D670,964 S * 11/2012 Rudisill D7/392.1
D677,980 S * 3/2013 Levin D7/392

* cited by examiner

Primary Examiner — Robert M Spear
Assistant Examiner — Marissa J Cash
(74) *Attorney, Agent, or Firm* — Sara C. Kanos; Nexsen Pruet, LLC

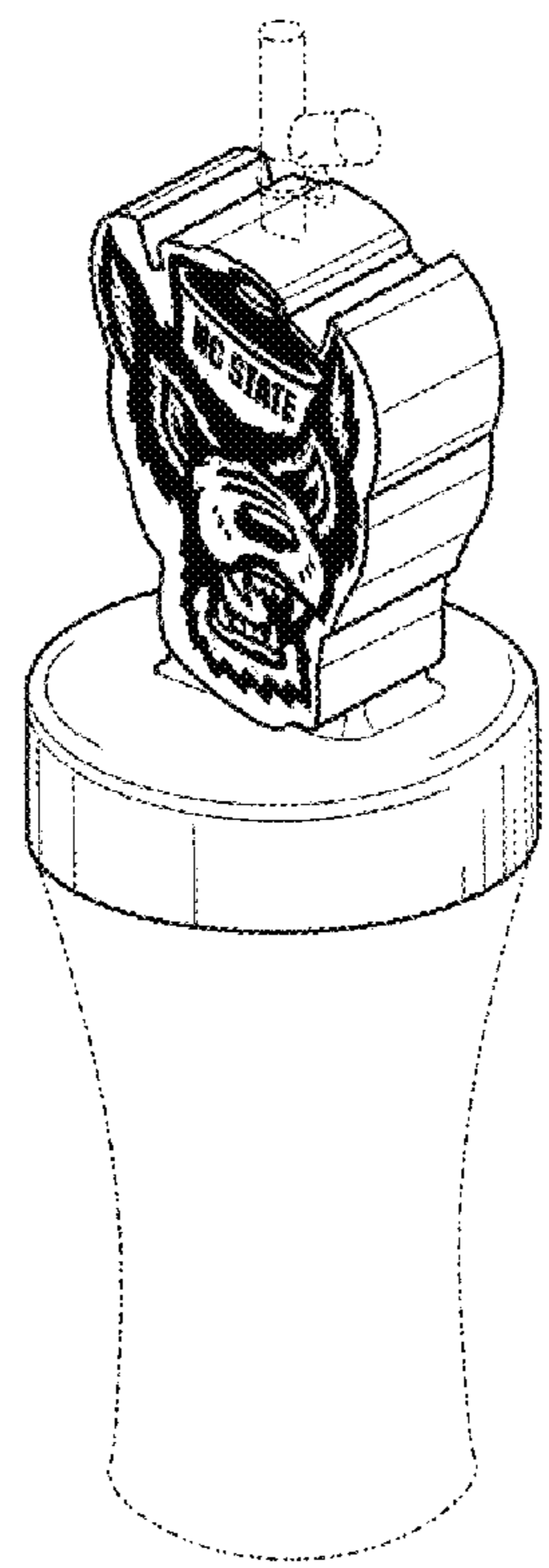
(57) **CLAIM**
We claim the ornamental design for a lid, as described.

DESCRIPTION

FIG. 1 is a front right perspective of a lid showing our new design;
FIG. 2 is a rear left perspective thereof;
FIG. 3 is a front elevation view thereof;
FIG. 4 is a rear elevation view thereof;
FIG. 5 is a right side elevation view thereof;
FIG. 6 is a left side elevation view thereof;
FIG. 7 is a top view thereof; and,
FIG. 8 is a bottom view thereof.
The broken lines in the drawings represent unclaimed environmental subject matter and form no part of the claim.
The wolfpack logo forming part of the claimed design is a registered trademark of the North Carolina State University.

1 Claim, 7 Drawing Sheets

(56) **References Cited**
U.S. PATENT DOCUMENTS
2,546,122 A * 3/1951 Goldfarb 446/72
D262,083 S * 12/1981 Adamo D7/392.1
D288,064 S * 2/1987 Gager D9/436
D424,376 S * 5/2000 Malusek D7/511
D448,971 S * 10/2001 Hughes D7/392.1
D471,060 S * 3/2003 Salsman D7/392.1



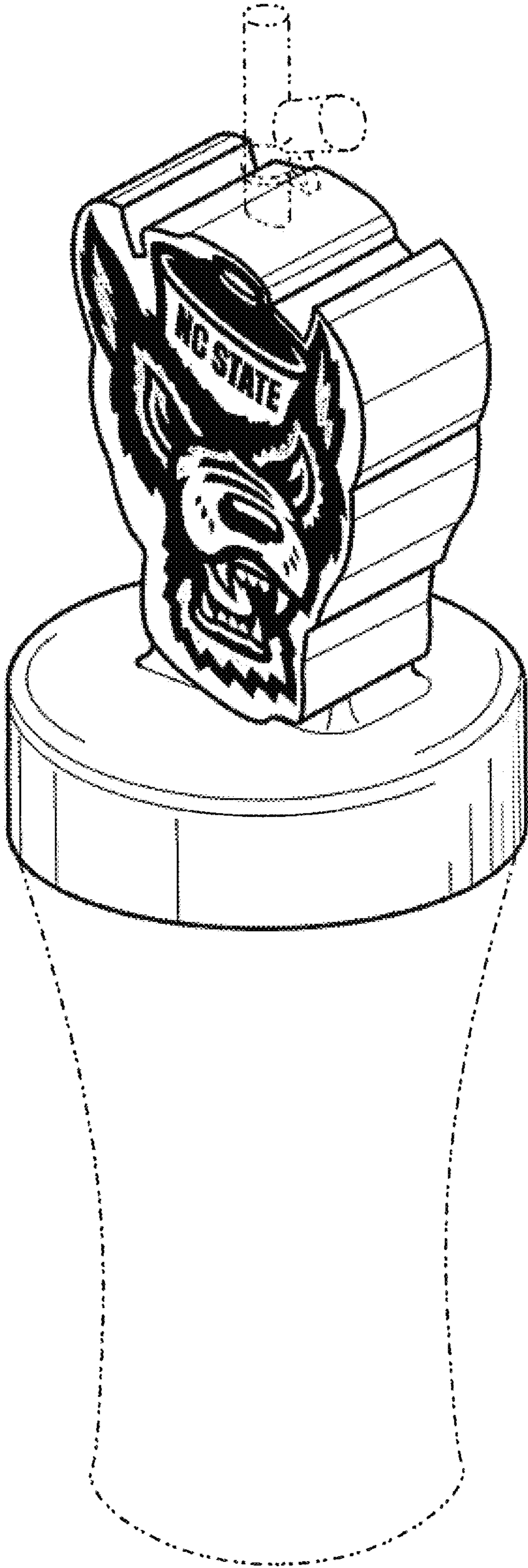


Fig. 1

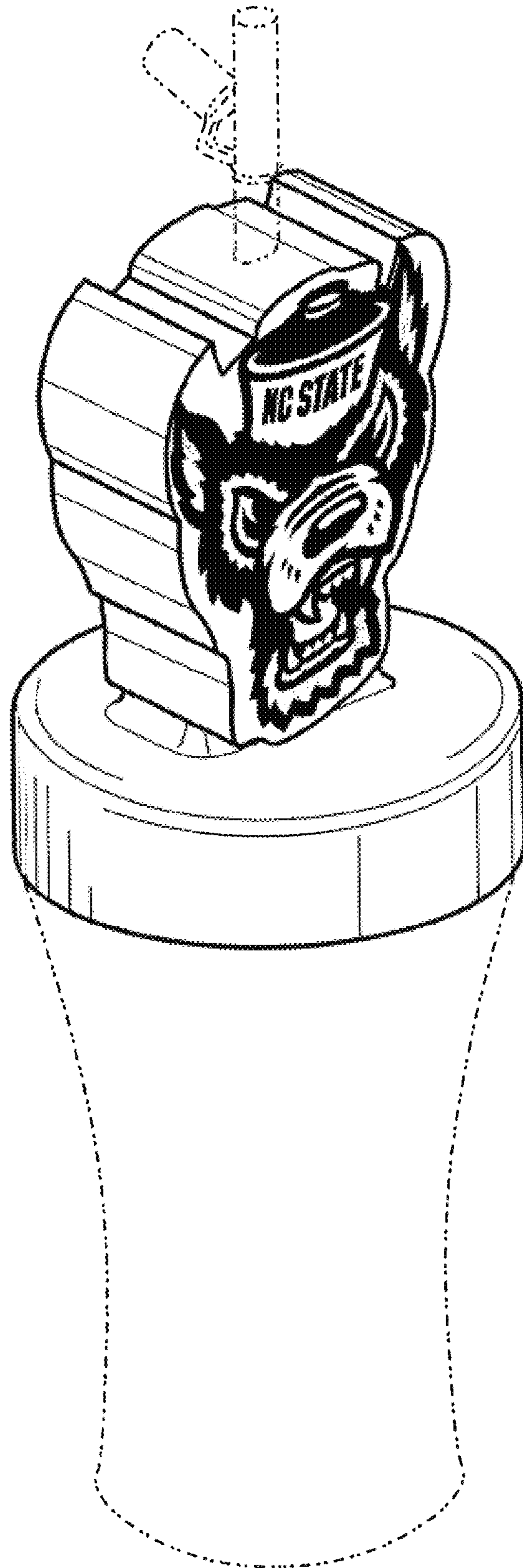


Fig. 2

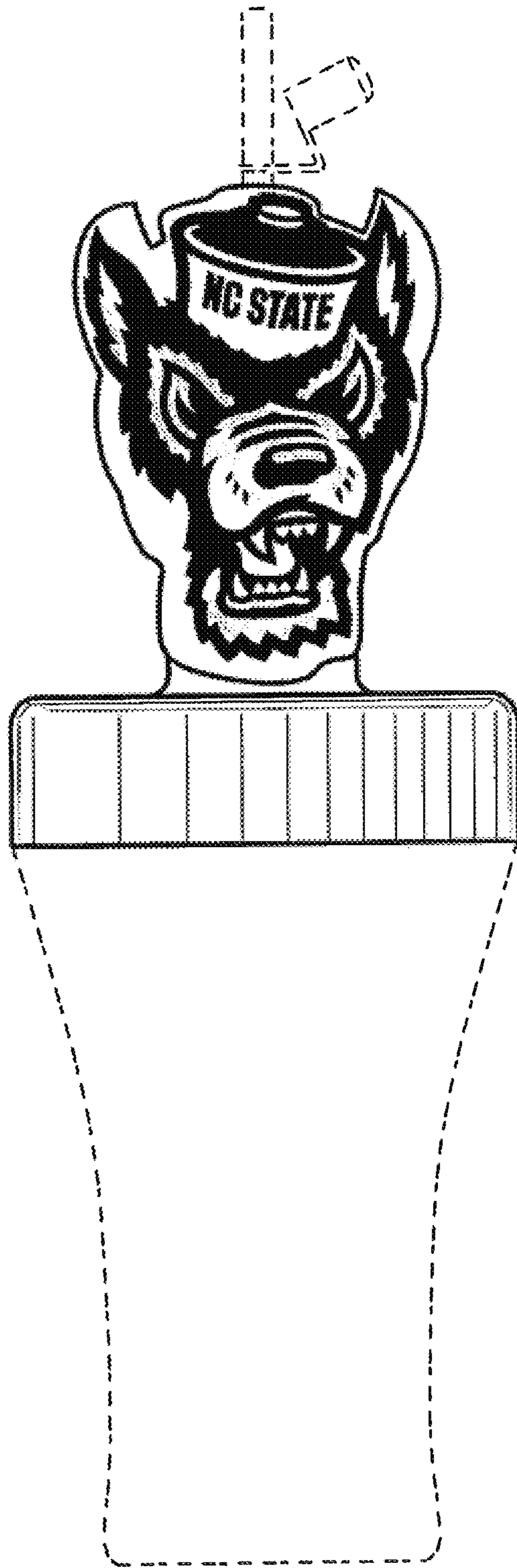


Fig. 3

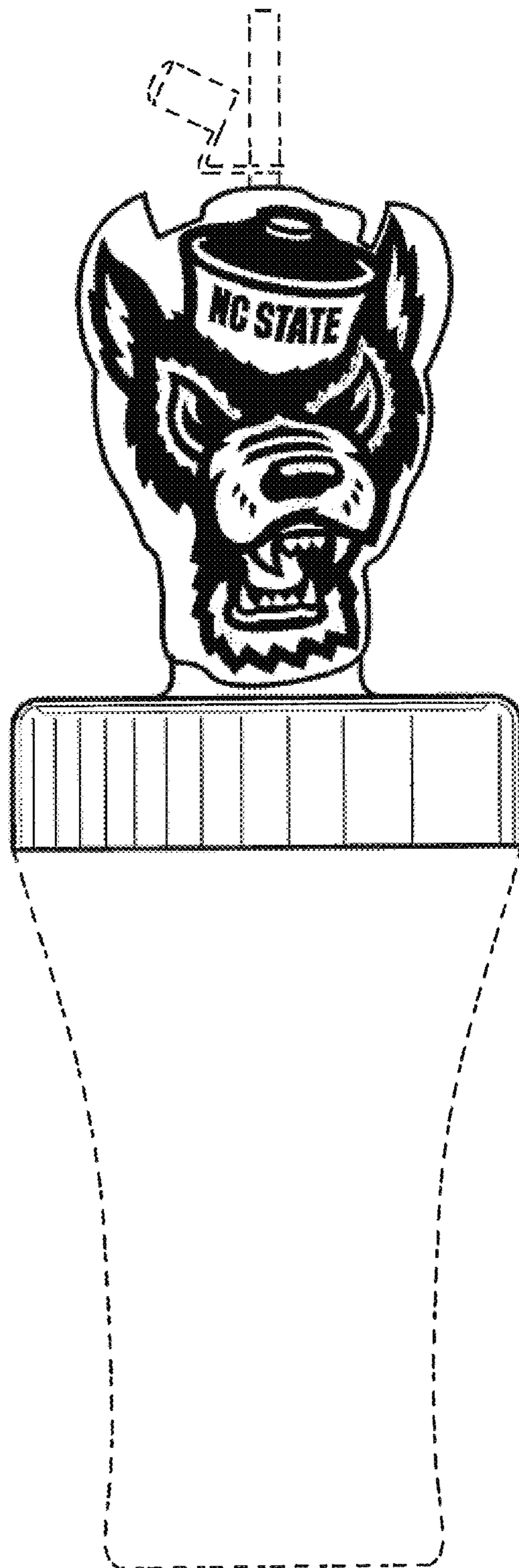


Fig. 4

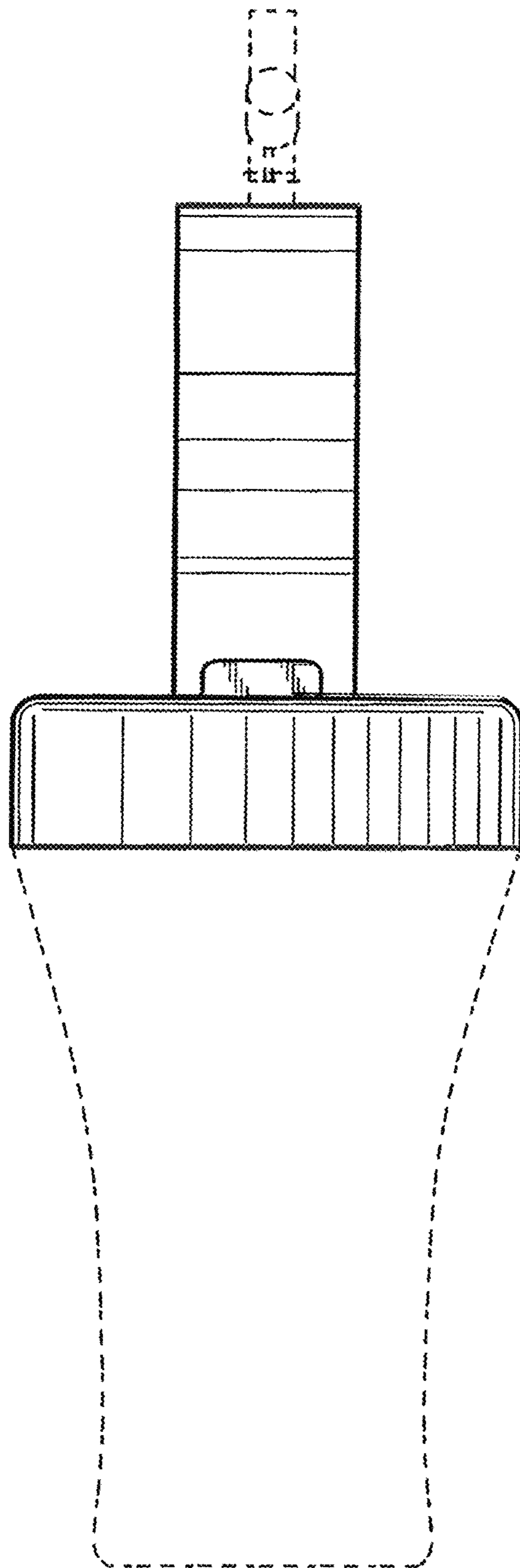


Fig. 5

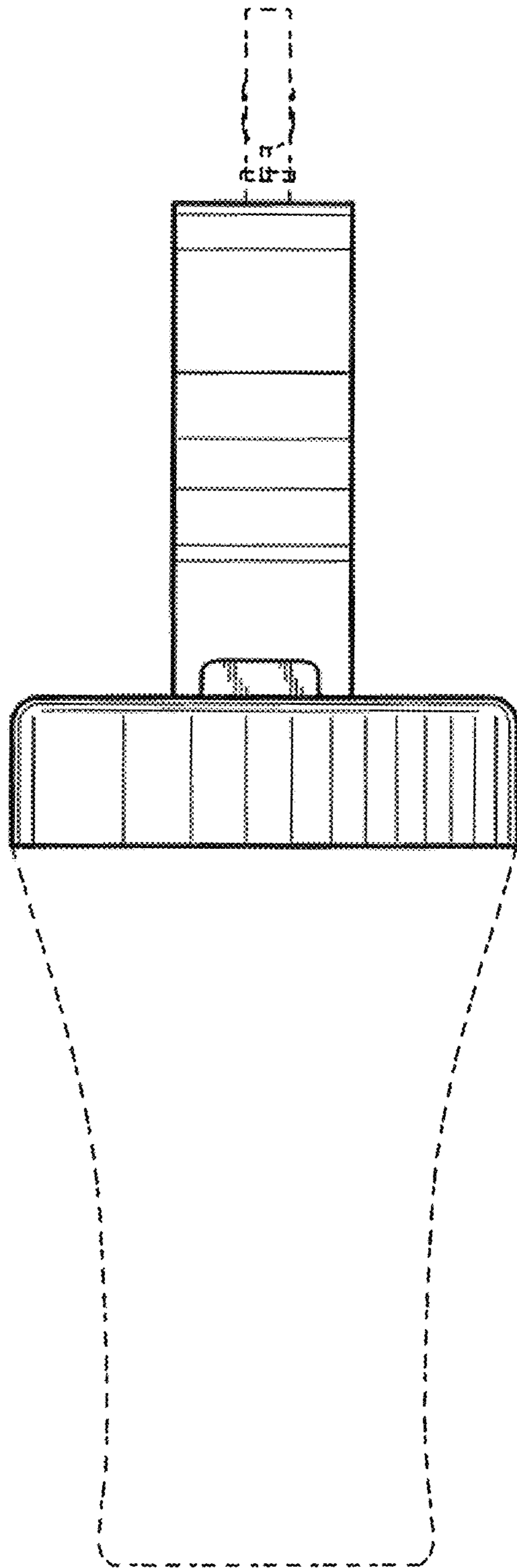


Fig. 6

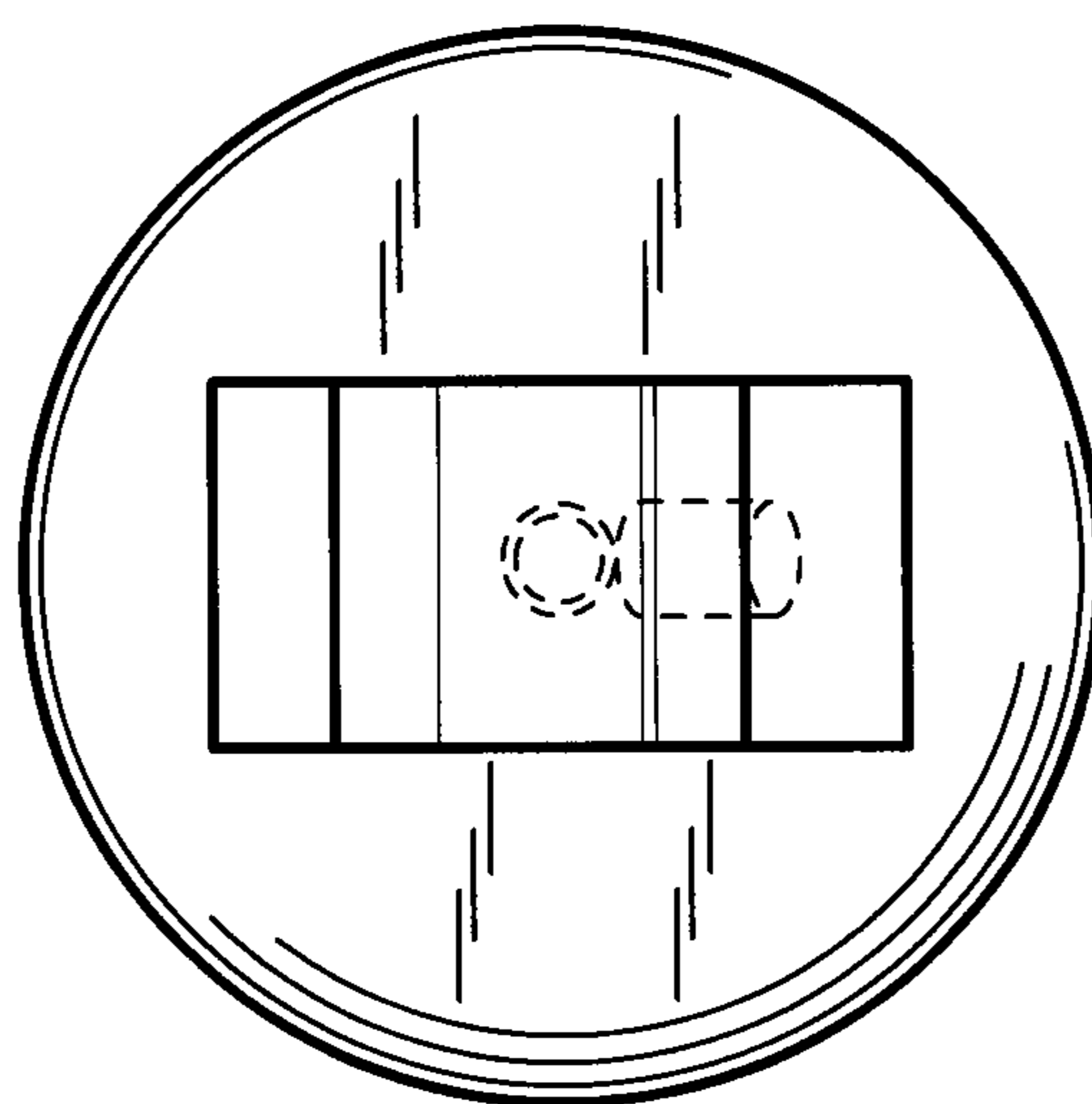


FIG. 7

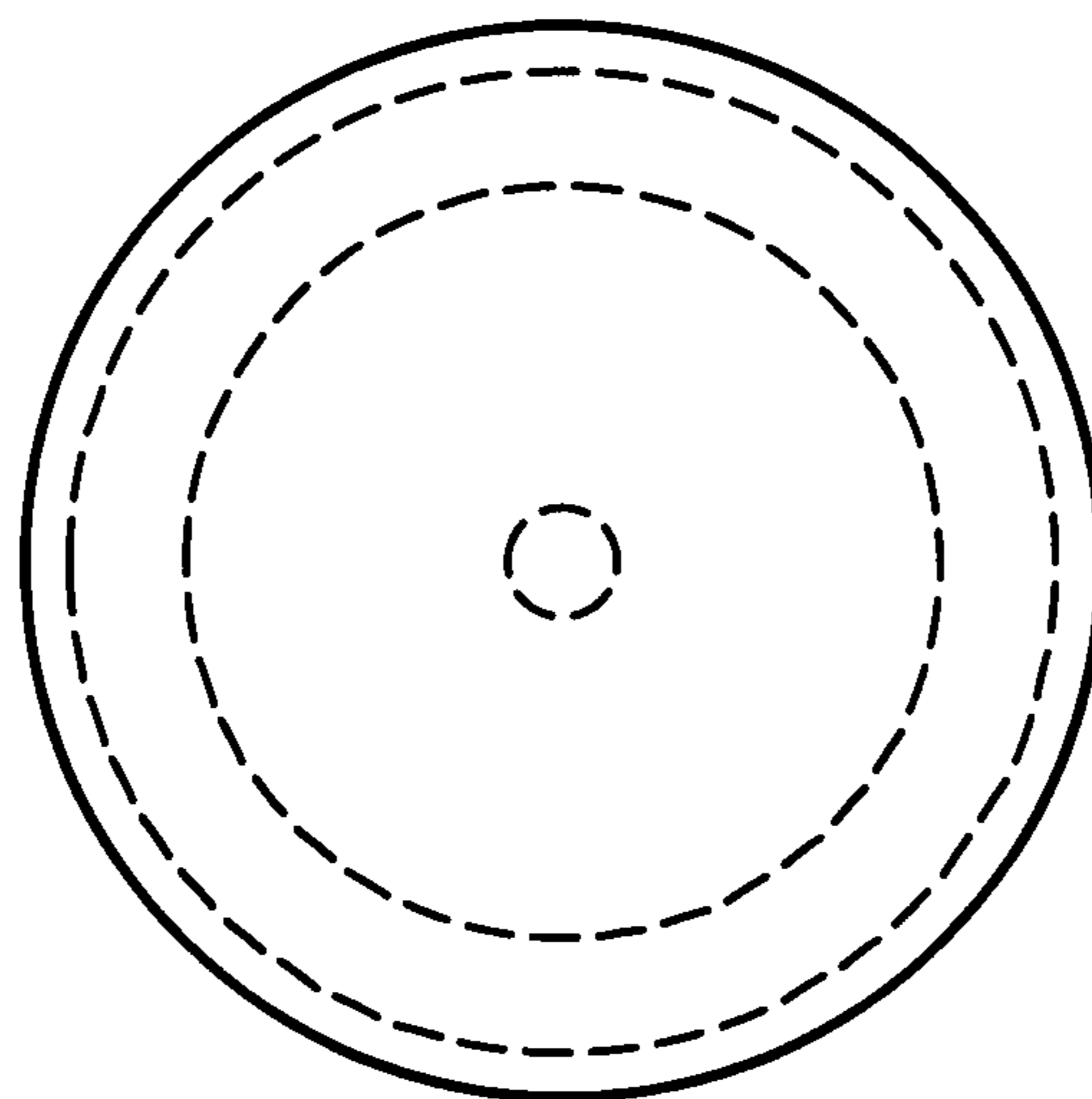


FIG. 8