



US00D722245S

(12) **United States Design Patent**
Mao

(10) **Patent No.:** **US D722,245 S**

(45) **Date of Patent:** **** Feb. 10, 2015**

(54) **POPCORN MAKER**

(71) Applicant: **Baisheng Mao**, Shanghai (CN)

(72) Inventor: **Baisheng Mao**, Shanghai (CN)

(**) Term: **14 Years**

(21) Appl. No.: **29/467,287**

(22) Filed: **Sep. 17, 2013**

(51) **LOC (10) Cl.** **31-00**

(52) **U.S. Cl.**
USPC **D7/325**

(58) **Field of Classification Search**

CPC A23L 1/01; A23L 1/0128; A23L 1/10;
A23L 1/18; A23L 1/1802; A23L 1/1812;
A23L 1/1815; A23L 1/1817; A23L 1/217;
A23P 1/14; A23P 1/142; A23P 1/144; A23P
1/146; A23P 1/148; A47J 27/004; A47J
36/027; A47J 36/06; B65D 81/34; B65D
81/3407; B65D 84/3446; B65D 84/3453
USPC D7/323, 325, 337, 339, 346-347, 350.1,
D7/350.4, 354, 362, 391, 602, 629;
D21/811; D34/14; 99/323.4-323.11;
219/433, 441, 728-731, 734-735;
426/107, 113, 115, 241-243, 443, 449

See application file for complete search history.

(56) **References Cited**

U.S. PATENT DOCUMENTS

D389,891 S *	1/1998	Kawasaki	D21/811
D421,284 S *	2/2000	Huang	D21/811
D460,846 S *	7/2002	Helman et al.	D34/14
D551,016 S *	9/2007	Bond	D7/325
D552,405 S *	10/2007	Bond	D7/325
D628,428 S *	12/2010	Bond	D7/325
D628,847 S *	12/2010	Liu	D7/325
D632,123 S *	2/2011	Kauer	D7/325
D633,748 S *	3/2011	Haskin	D7/325
D650,627 S *	12/2011	Kauer	D7/325
D663,992 S *	7/2012	Kauer	D7/325
D677,969 S *	3/2013	Bond et al.	D7/325
D687,666 S *	8/2013	Mercier	D7/325

* cited by examiner

Primary Examiner — Ricky Pham

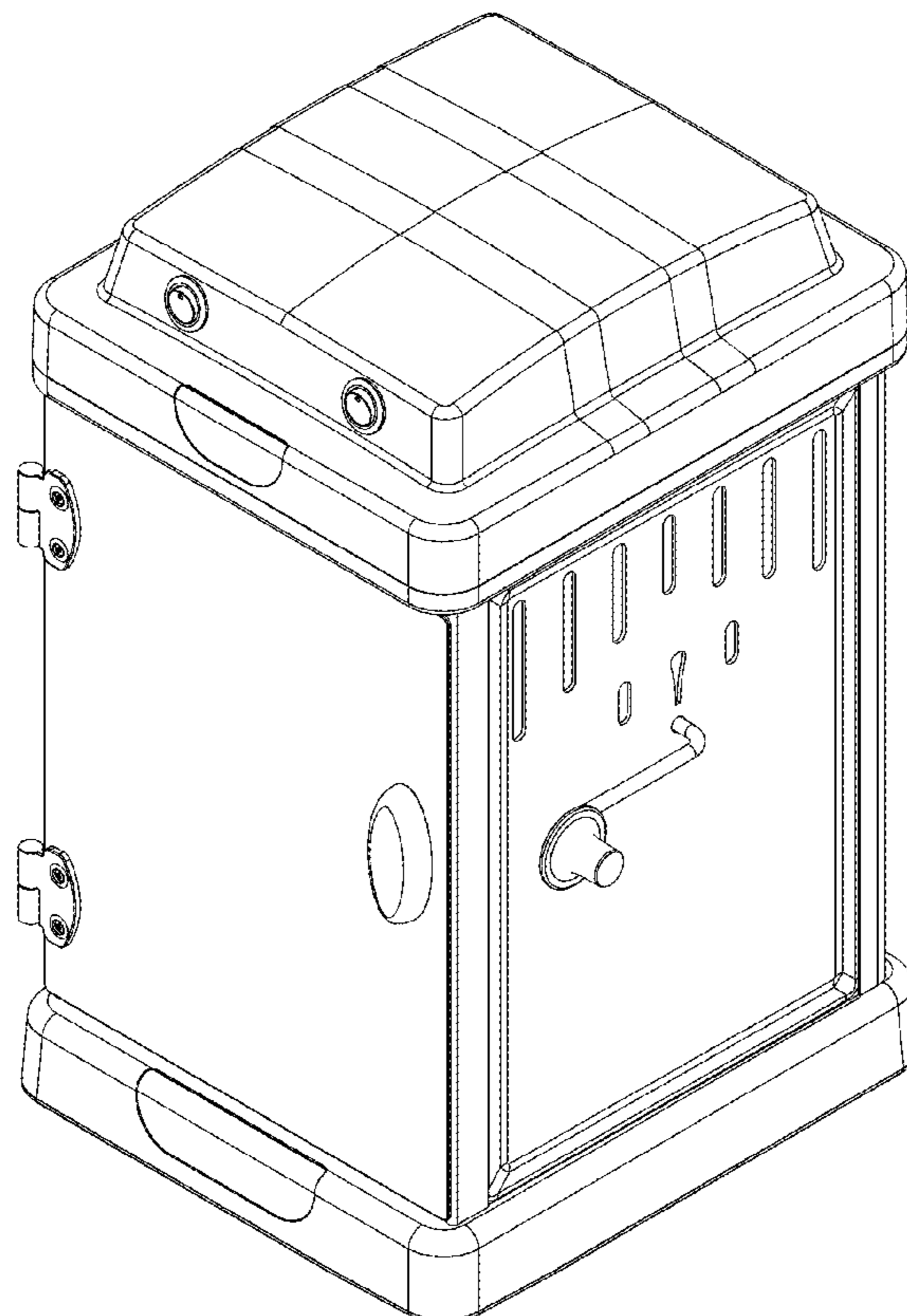
(57) **CLAIM**

The ornamental design for a popcorn maker, as shown.

DESCRIPTION

FIG. 1 is a front elevational view of a popcorn maker showing my new design;
FIG. 2 is a rear elevational view thereof;
FIG. 3 is a left side view thereof;
FIG. 4 is a right side view thereof;
FIG. 5 is a top plan view thereof;
FIG. 6 is a bottom plan view thereof; and,
FIG. 7 is a perspective view thereof.

1 Claim, 7 Drawing Sheets



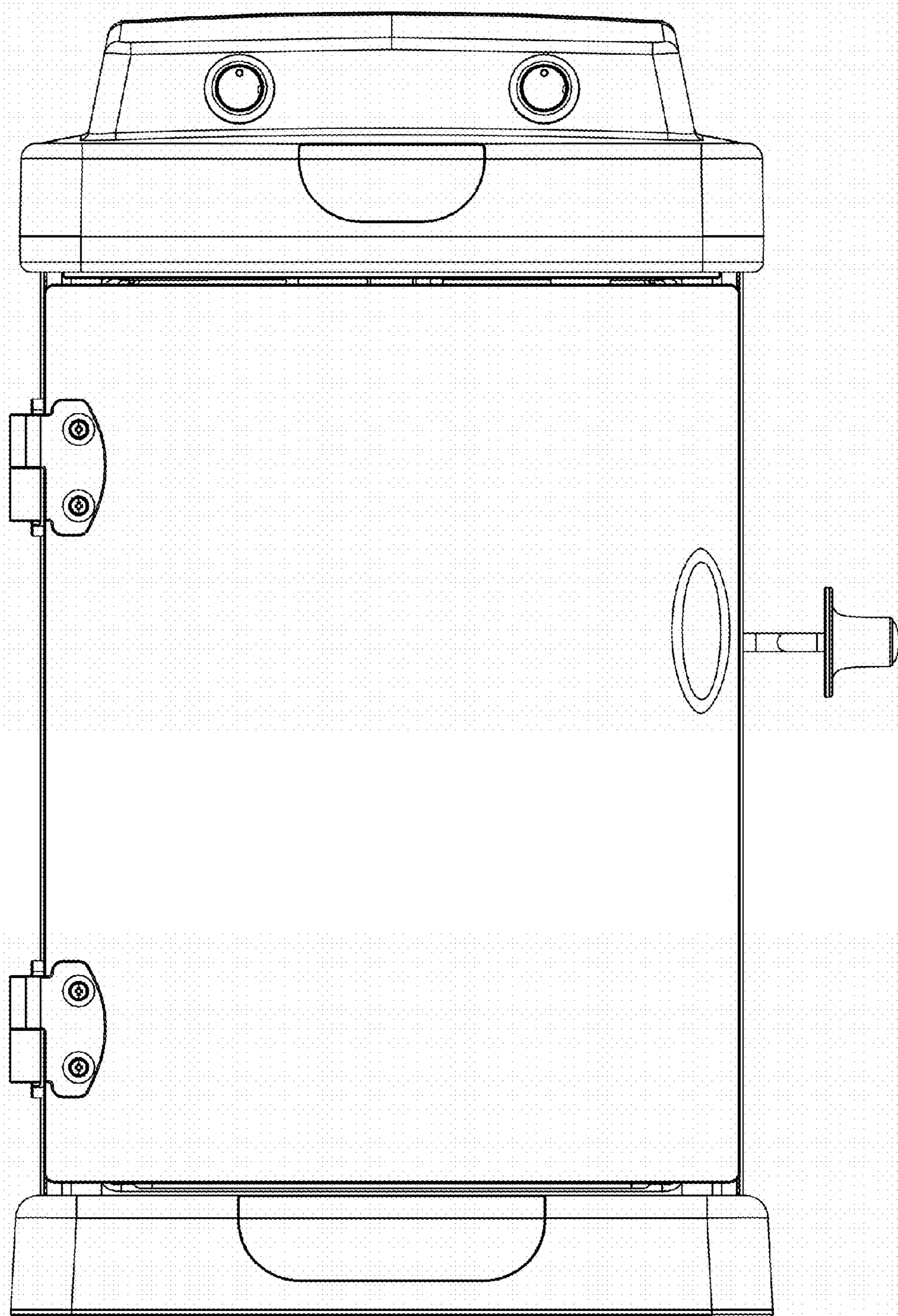


FIG. 1

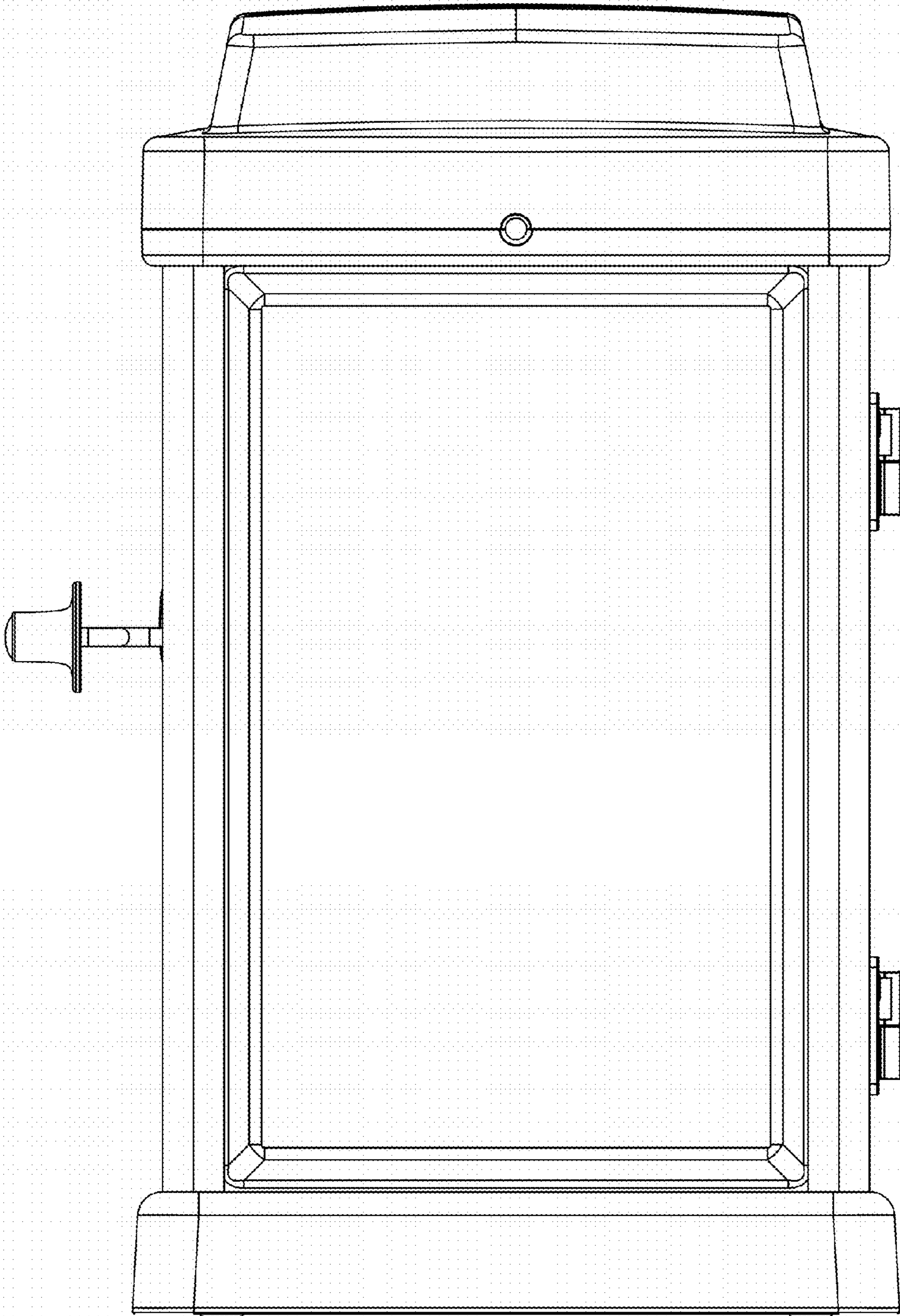


FIG. 2

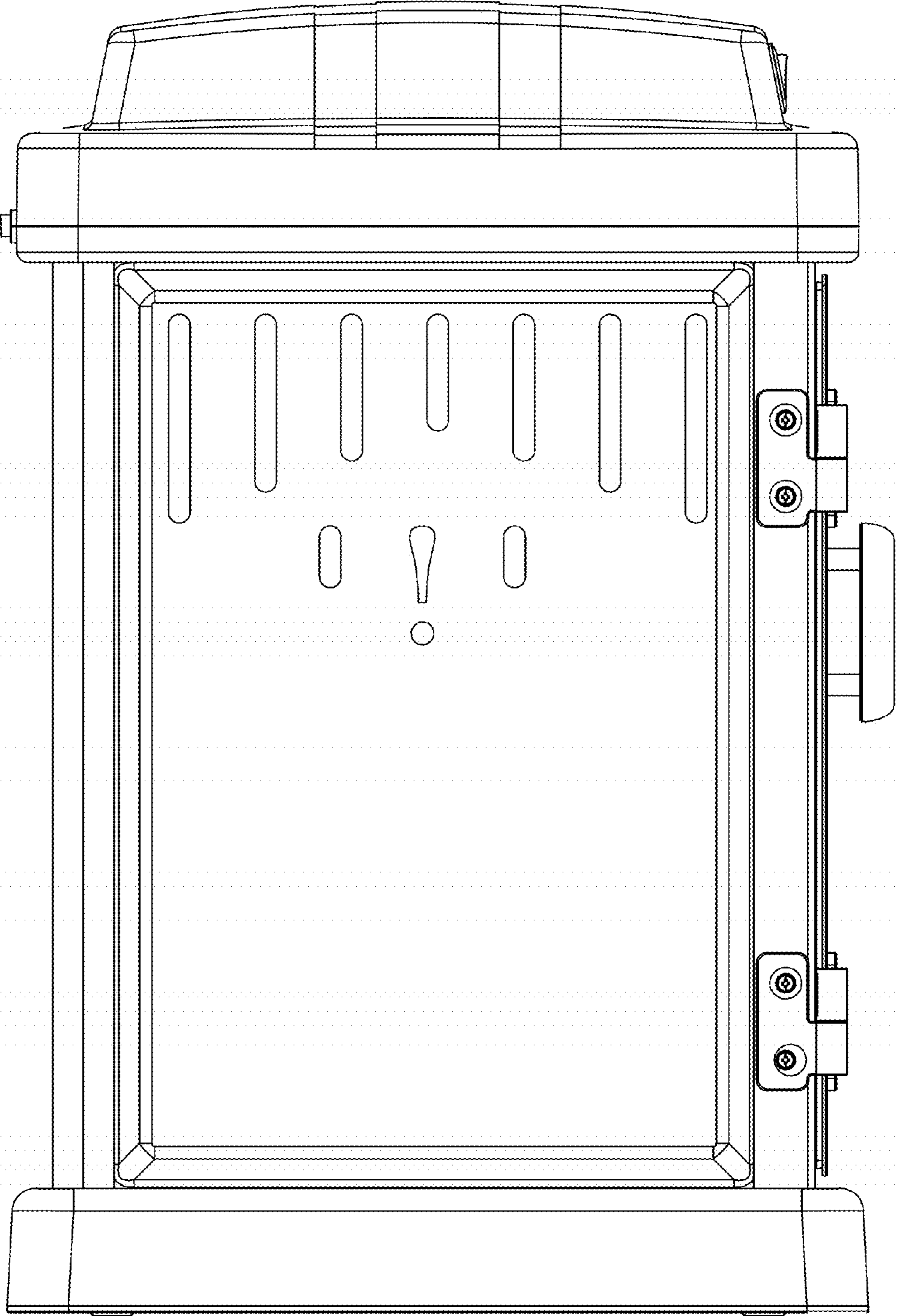


FIG. 3

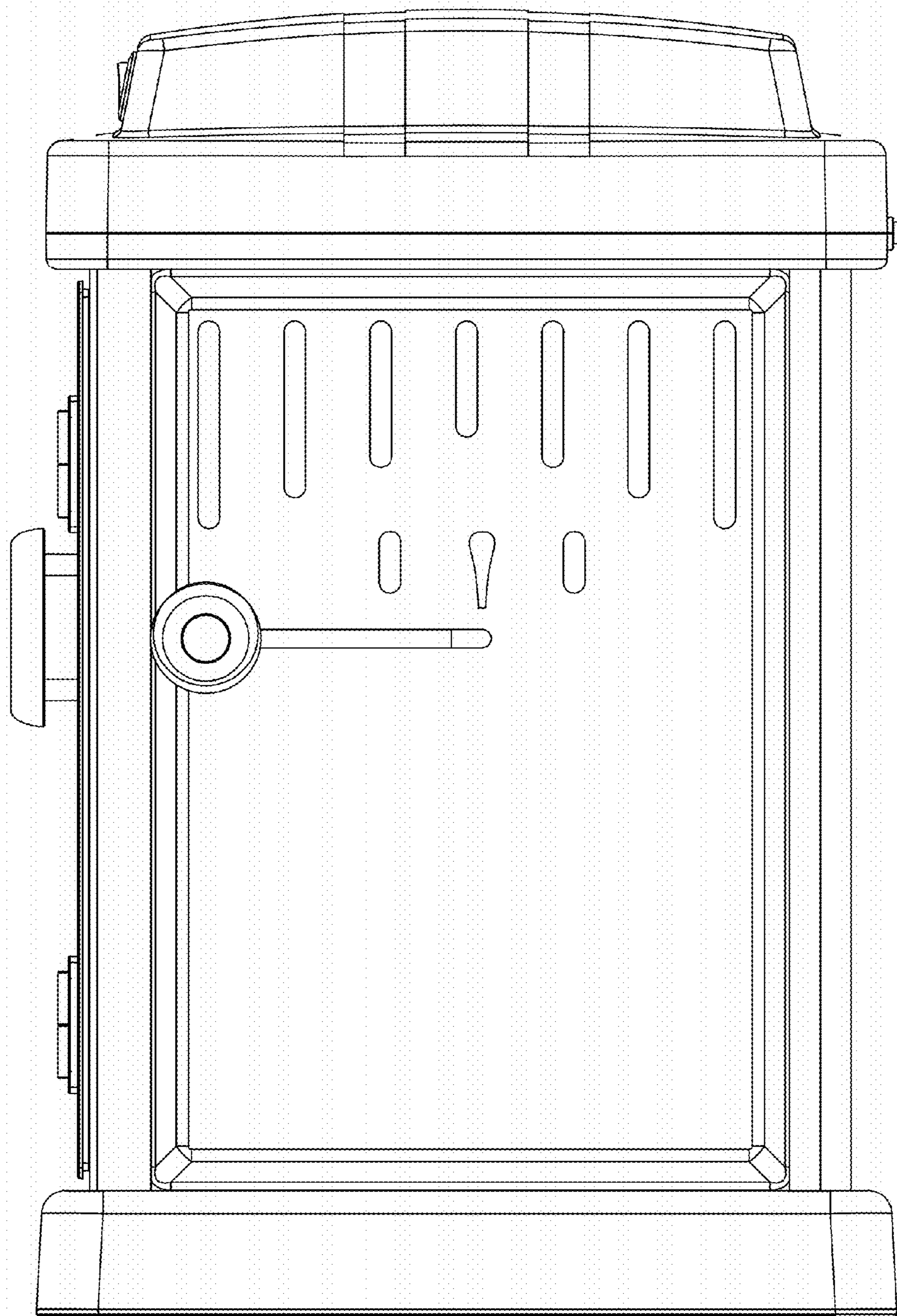


FIG. 4

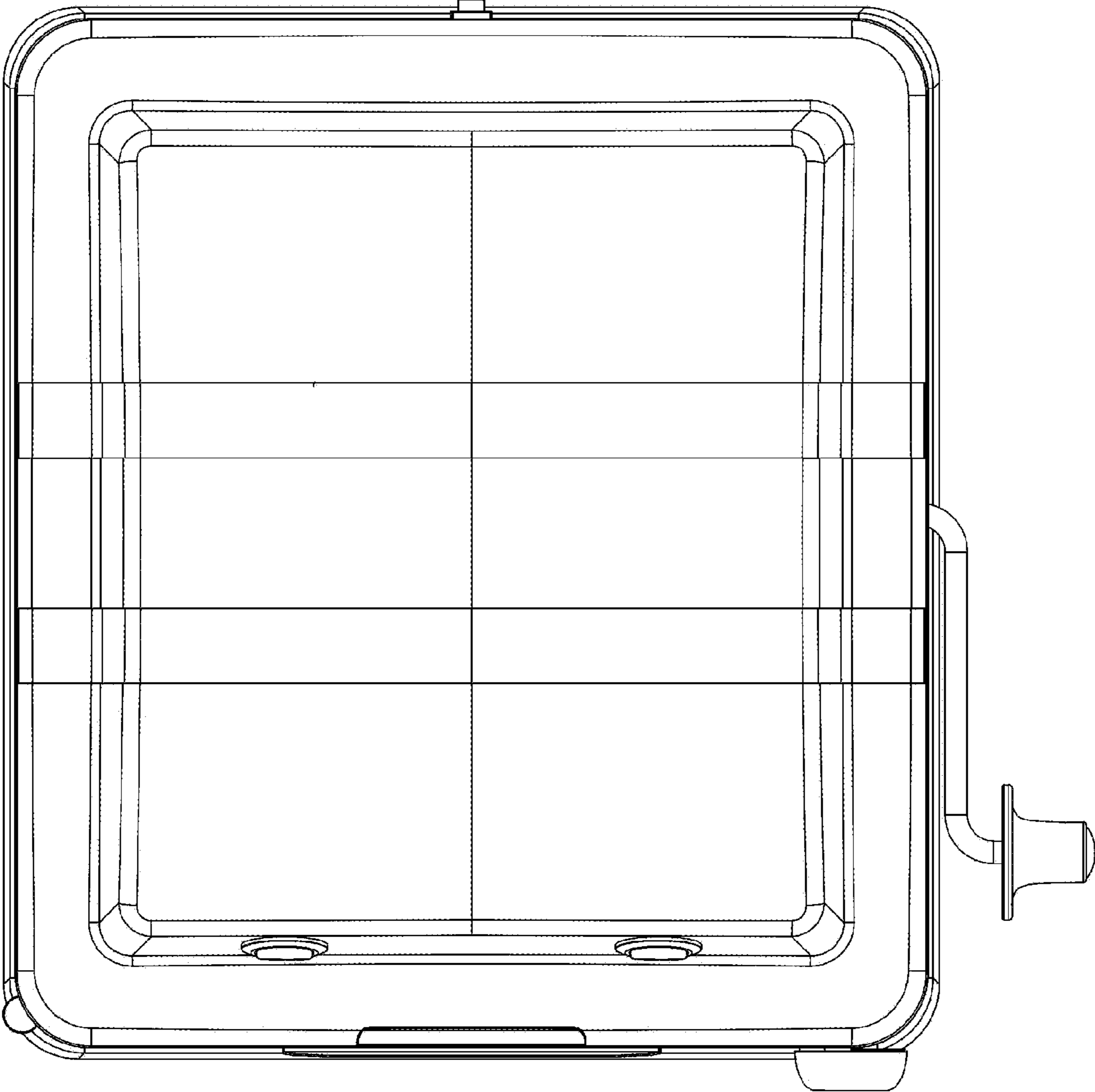


FIG. 5

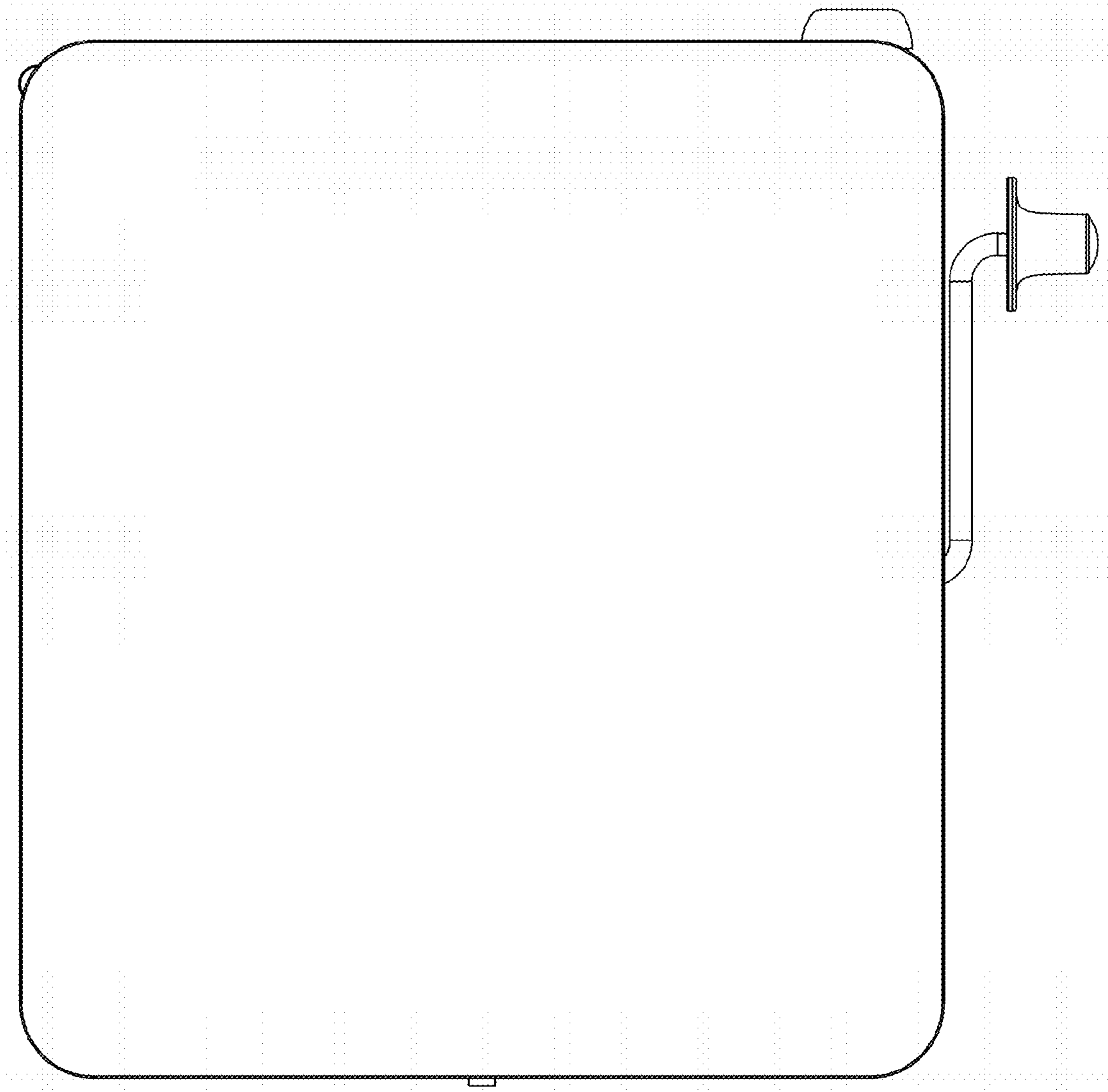


FIG. 6

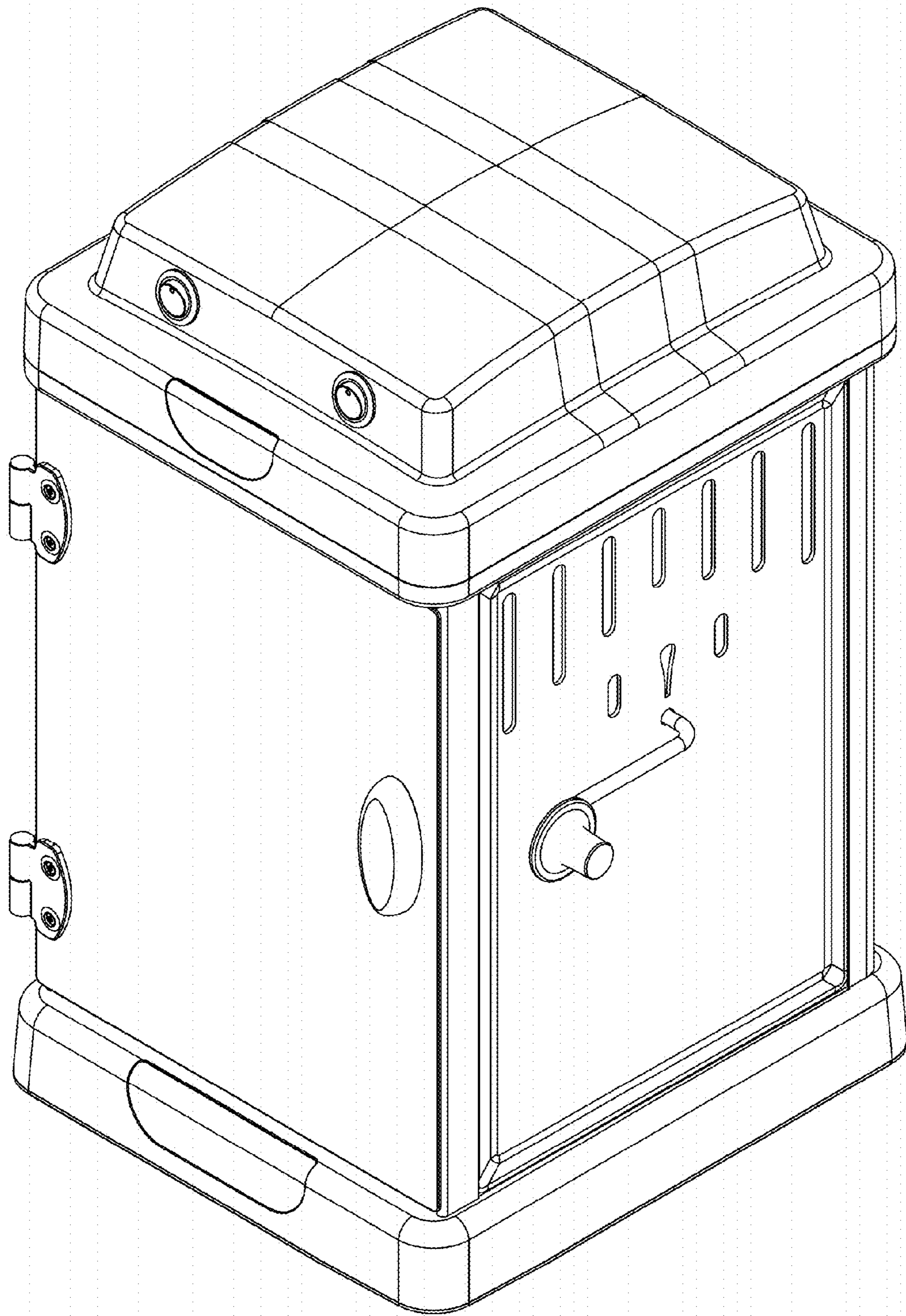


FIG. 7