



US00D722244S

(12) **United States Design Patent**
Willis et al.

(10) **Patent No.:** **US D722,244 S**
(45) **Date of Patent:** **** Feb. 10, 2015**

(54) **MERCHANDISER FACADE**
(75) Inventors: **Scott E. Willis**, Sedalia, MO (US);
Robert J. Reese, Edwardsville, IL (US)
(73) Assignee: **Duke Manufacturing Co.**, St. Louis,
MO (US)

(**) Term: **14 Years**

(21) Appl. No.: **29/410,847**

(22) Filed: **Jan. 12, 2012**

(51) **LOC (10) Cl.** **06-06**

(52) **U.S. Cl.**
USPC **D6/683.1**

(58) **Field of Classification Search**
USPC D6/449, 470, 472-474, 475-476, 657,
D6/662.1, 672, 678, 678.2, 683, 683.1;
D15/79, 81, 85-87; 312/138.1, 107,
312/114, 116, 137, 401, 408

See application file for complete search history.

(56) **References Cited**

U.S. PATENT DOCUMENTS

1,955,203 A	4/1934	Salomon	
D147,622 S *	10/1947	Rideout	D6/470
D156,416 S *	12/1949	Greiling	D6/470
D182,567 S *	4/1958	Chapman	D6/470
2,900,045 A	8/1959	Conklin et al.	
3,170,541 A	2/1965	Werner	
3,288,544 A	11/1966	Knecht	
D209,722 S *	12/1967	Mangini	D6/471
3,715,972 A	2/1973	Kelso et al.	
3,748,437 A	7/1973	Keeshin et al.	
3,858,091 A	12/1974	Wilkinson	
3,920,299 A	11/1975	Propst et al.	
3,997,028 A	12/1976	Lopez	
RE29,767 E	9/1978	Futch	
4,417,450 A	11/1983	Morgan, Jr. et al.	
4,457,140 A	7/1984	Rastelli	
4,467,617 A	8/1984	Morgan, Jr. et al.	
4,485,633 A	12/1984	King et al.	

4,489,995 A	12/1984	Barr	
D280,790 S *	10/1985	Kooy	D6/471
4,850,120 A	7/1989	Stein	
5,163,536 A	11/1992	Tuhro et al.	
5,168,719 A	12/1992	Branz et al.	
5,201,191 A	4/1993	Bustos	
5,496,103 A	3/1996	Kozak	
5,499,868 A	3/1996	Schainholz	
5,572,984 A	11/1996	Alden et al.	
5,630,468 A	5/1997	McKee	
5,675,983 A	10/1997	Ibrahim	
5,964,512 A	10/1999	Borgen	
D427,210 S *	6/2000	Tsukida	D15/83
6,128,912 A	10/2000	Wetzel	

(Continued)

FOREIGN PATENT DOCUMENTS

JP	10-274472 A	10/1998
JP	2002-253399 A	9/2002

(Continued)

OTHER PUBLICATIONS

17 photos of merchandiser, date unknown, 5 pages

Primary Examiner — Kelley Donnelly
(74) *Attorney, Agent, or Firm* — Senniger Powers LLP

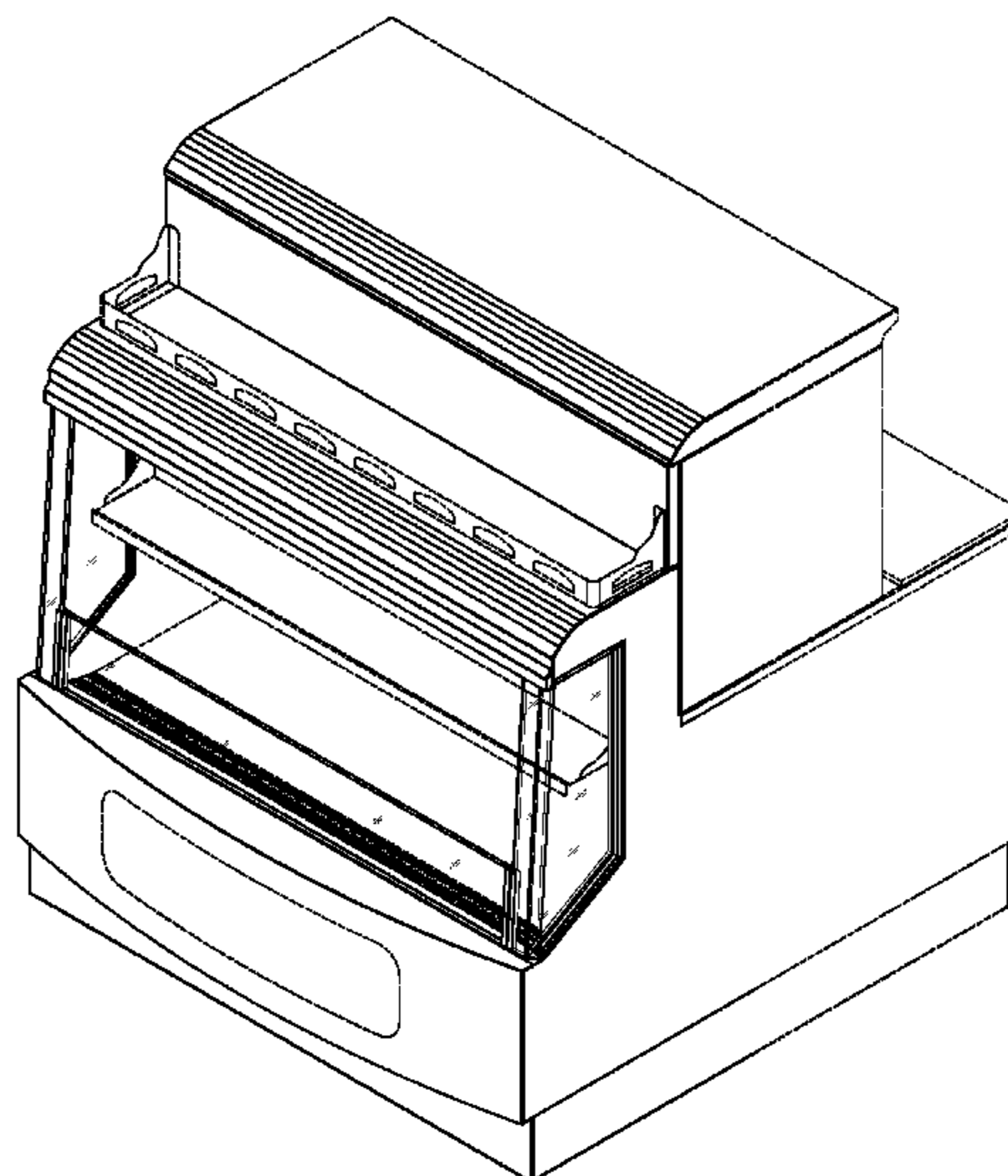
(57) **CLAIM**

The ornamental design for a merchandiser facade, as shown and described.

DESCRIPTION

FIG. 1 is a perspective view of a merchandiser facade of our new design;
FIG. 2 is a front elevation view thereof;
FIG. 3 is a right side elevation view thereof;
FIG. 4 is a top plan view thereof; and,
FIG. 5 is a left side elevation view thereof.
Features forming no part of the claimed design are illustrated in broken lines.

1 Claim, 5 Drawing Sheets



(56)

References Cited

U.S. PATENT DOCUMENTS

D442,393 S 5/2001 Shei et al.
 6,257,010 B1 7/2001 Shei et al.
 6,561,317 B1 5/2003 Dudley
 6,686,563 B1 2/2004 Pearlman et al.
 D494,383 S * 8/2004 Lee D6/436
 D498,616 S * 11/2004 Hohler et al. D6/472
 6,817,201 B2 11/2004 Yingst
 6,851,271 B2 2/2005 Upton et al.
 6,926,376 B2 8/2005 Arent et al.
 7,028,497 B2 4/2006 Upton et al.
 7,047,755 B2 5/2006 Upton et al.
 7,065,977 B2 6/2006 Upton et al.
 7,293,424 B2 11/2007 Jaffer et al.
 D585,911 S * 2/2009 Miyabayashi et al. D15/79
 D589,536 S * 3/2009 Seki D15/81
 D589,538 S * 3/2009 Kumazawa et al. D15/81
 7,536,868 B1 5/2009 Ward
 D594,254 S * 6/2009 Mori D6/470
 7,591,144 B2 9/2009 Wilson et al.

D608,565 S * 1/2010 Mori D6/470
 D622,982 S * 9/2010 Ikeda D6/472
 D625,127 S * 10/2010 Seki D6/472
 7,822,503 B2 10/2010 Merwarth et al.
 D680,350 S * 4/2013 Peake-Atkins et al. D6/662.1
 2005/0178762 A1 8/2005 Klosterman
 2006/0273706 A1 12/2006 Champagne et al.
 2008/0202491 A1 8/2008 Eberhard
 2008/0257172 A1 10/2008 Duckworth et al.
 2010/0024446 A1 2/2010 Rohrer et al.

FOREIGN PATENT DOCUMENTS

JP 2005-245672 A 9/2005
 JP 3841324 B2 11/2006
 JP 2007-282982 A 11/2007
 JP 2008-093250 A 4/2008
 JP 4245729 B2 4/2009
 WO 94/26154 A1 11/1994
 WO 2012102870 A2 8/2012

* cited by examiner

FIG. 1

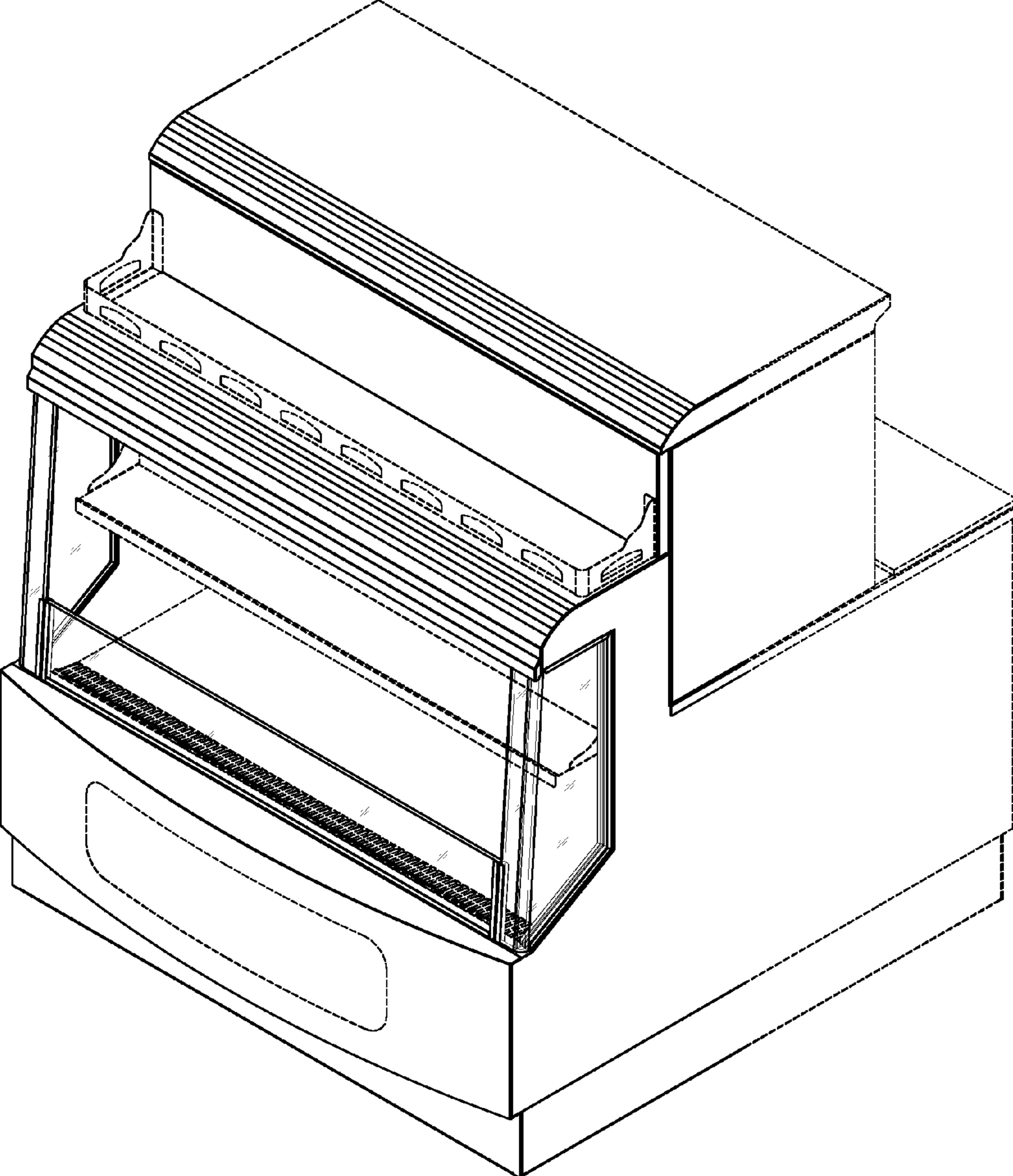


FIG. 2

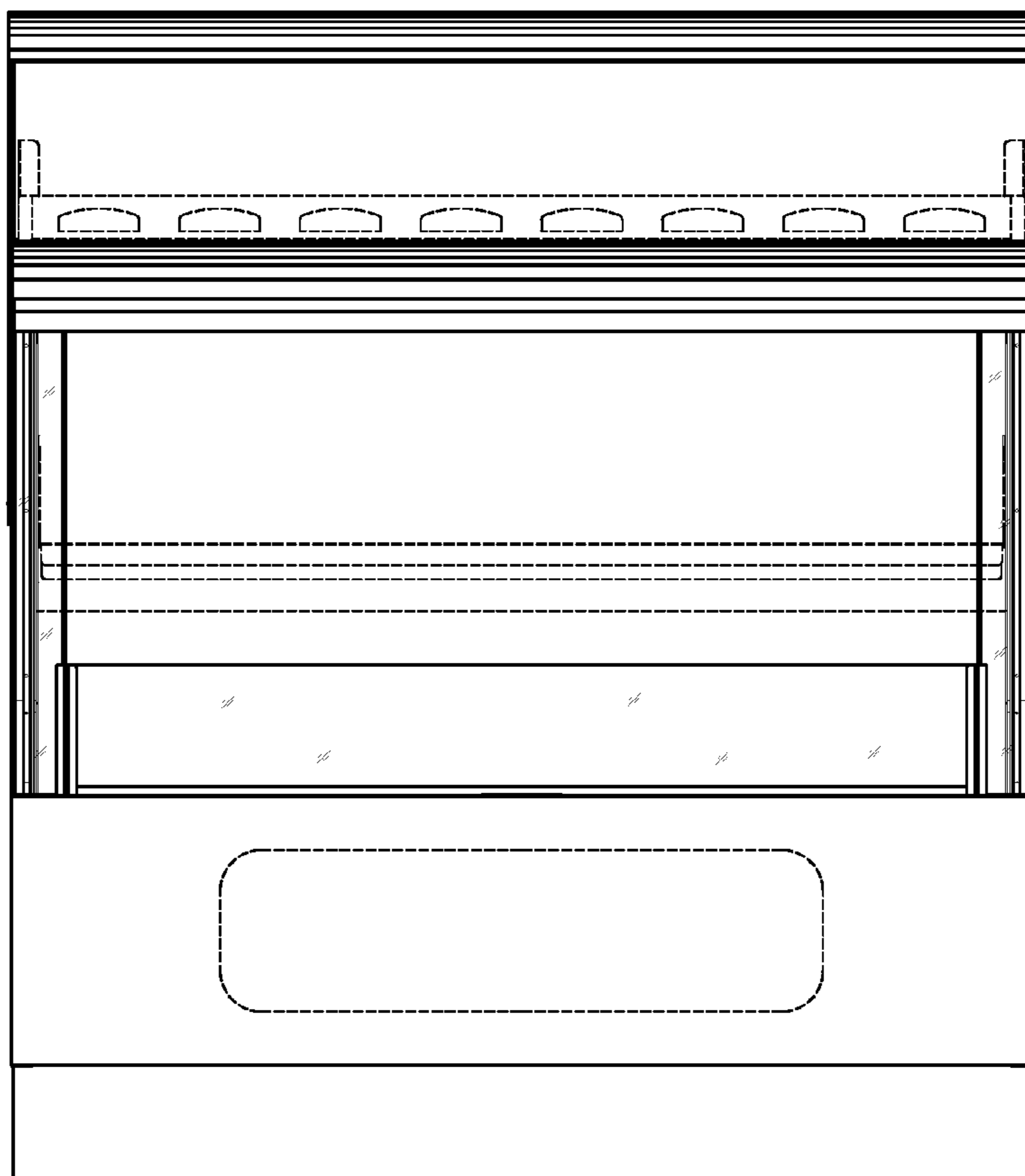


FIG. 3

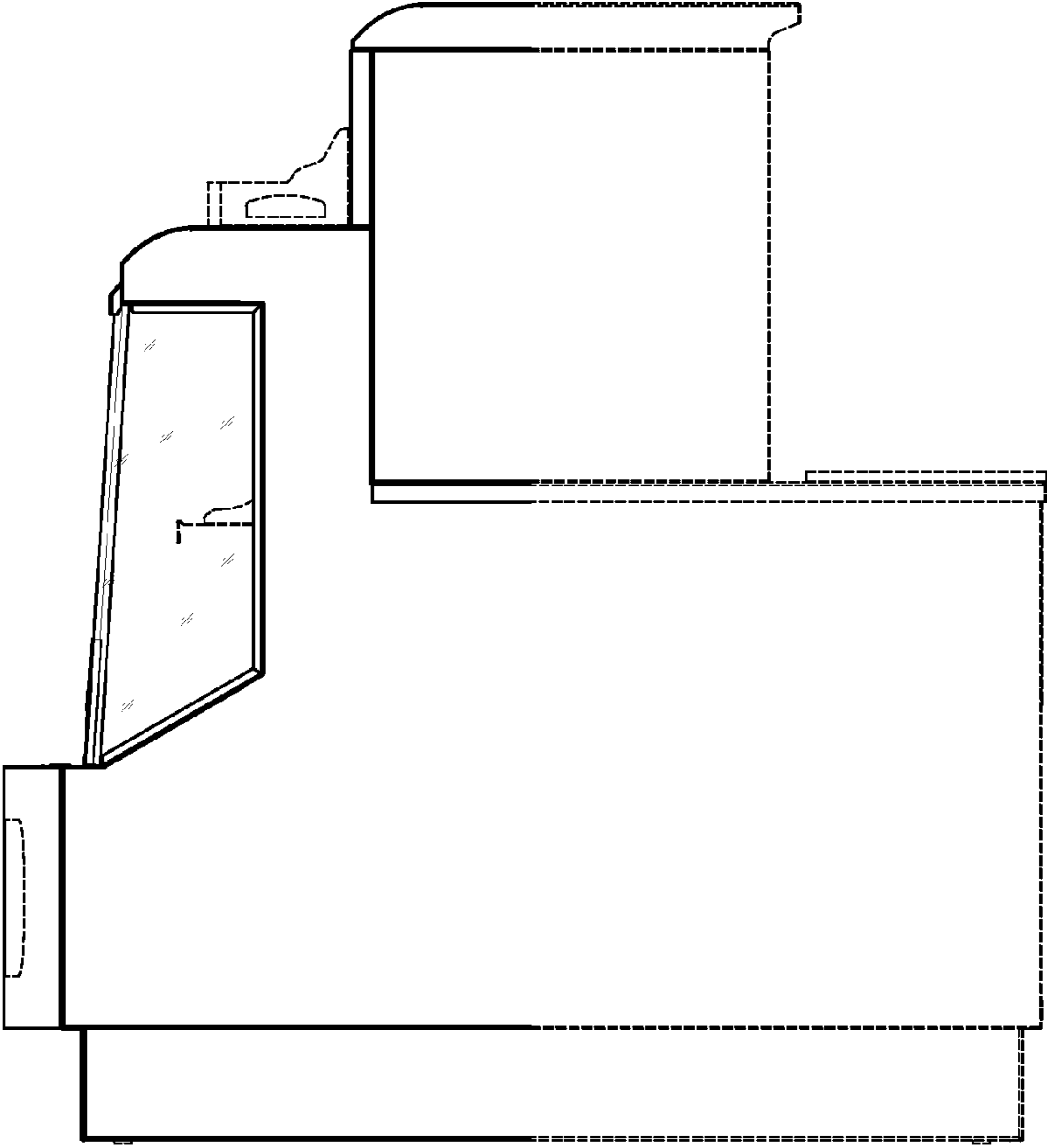


FIG. 4

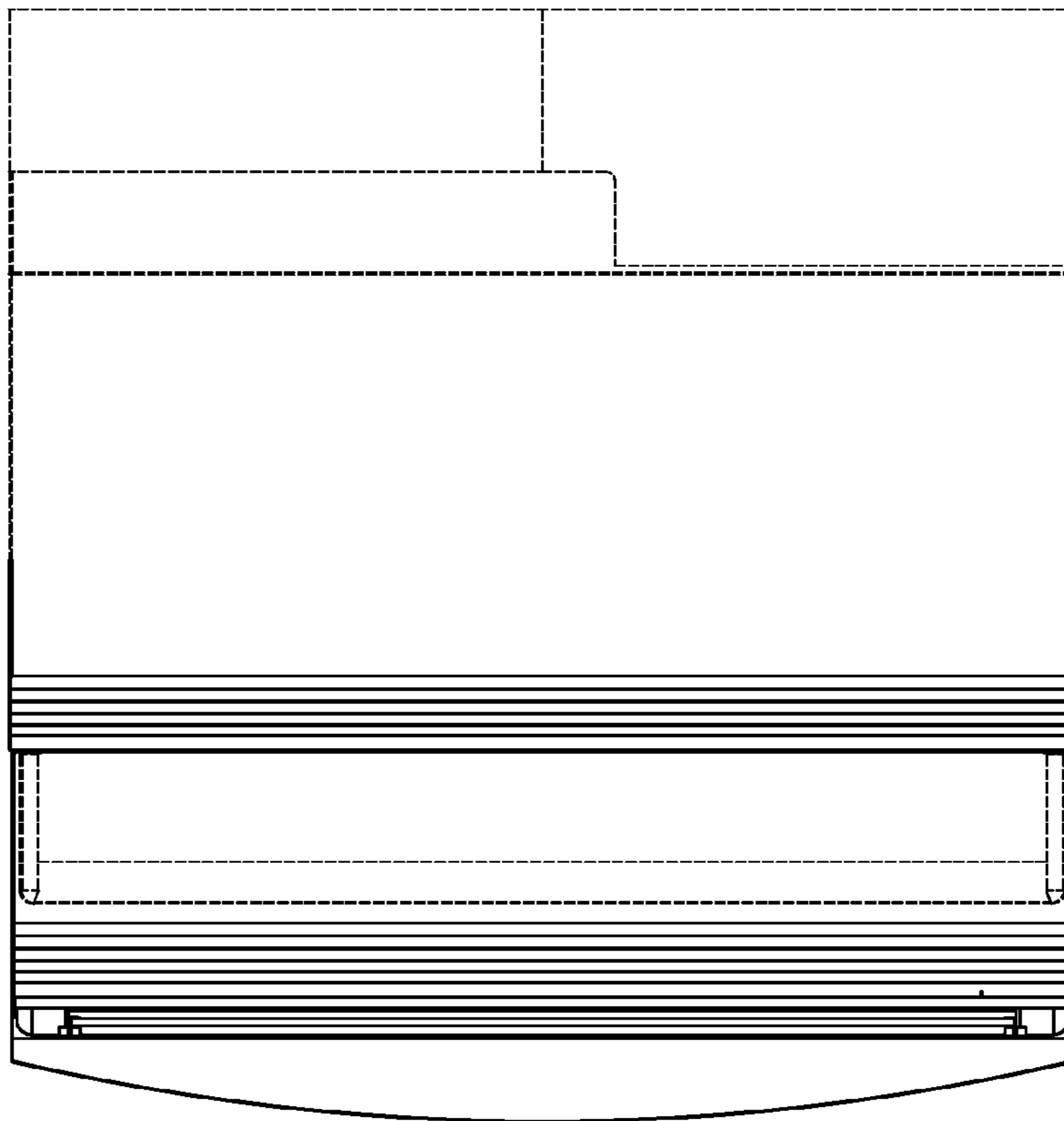


FIG. 5

