



US00D722243S

(12) **United States Design Patent**
Kehoe et al.

(10) **Patent No.:** **US D722,243 S**
(45) **Date of Patent:** **** Feb. 10, 2015**

- (54) **POINT OF SALE DISPLAY RACK**
- (71) Applicants: **David Kehoe**, Salzburg (AT); **Mario Groth**, Fuschl am See (AT); **Thomas Lemmerer**, Salzburg (AT); **Juergen Brenneis**, Pinsdorf (AT); **Eric Guoxiong Huang**, Foshan (CN); **Michael Warne**, Mona Vale (AU); **Jeremy Davis**, Newport (AU); **Gareth Jones**, London (GB); **Rohan Whiteford**, London (GB)
- (72) Inventors: **David Kehoe**, Salzburg (AT); **Mario Groth**, Fuschl am See (AT); **Thomas Lemmerer**, Salzburg (AT); **Juergen Brenneis**, Pinsdorf (AT); **Eric Guoxiong Huang**, Foshan (CN); **Michael Warne**, Mona Vale (AU); **Jeremy Davis**, Newport (AU); **Gareth Jones**, London (GB); **Rohan Whiteford**, London (GB)

- (73) Assignee: **Red Bull GmbH**, Fuschl am See (AT)
- (**) Term: **14 Years**
- (21) Appl. No.: **29/458,346**
- (22) Filed: **Jun. 18, 2013**
- (30) **Foreign Application Priority Data**

Dec. 18, 2012 (EP) 002155291-0004
 Dec. 18, 2012 (EP) 002155291-0005
 Dec. 18, 2012 (EP) 002155291-0006

- (51) **LOC (10) Cl.** **06-06**
- (52) **U.S. Cl.**
USPC **D6/675.3**
- (58) **Field of Classification Search**
USPC D6/473-477, 477-479, 630, 675, 675.1, D6/675.3, 675.4, 678-678.3; 108/91-93, 108/160; 211/42, 52, 87.01, 90.04, 128.1, 211/134-135
See application file for complete search history.

- (56) **References Cited**
U.S. PATENT DOCUMENTS

D243,577 S * 3/1977 Schouten D6/463
 D248,809 S * 8/1978 Kailey D6/552

D253,926 S * 1/1980 Jarvis D6/476
 D282,127 S * 1/1986 Weiller D6/476
 D303,463 S * 9/1989 Schouten D6/409
 D313,904 S * 1/1991 Nyman et al. D6/457
 D347,129 S * 5/1994 Zinke et al. D6/468
 D356,907 S * 4/1995 Jernigan D6/463
 D363,840 S * 11/1995 Weshler D6/476
 D369,038 S * 4/1996 Lechleiter et al. D6/466
 6,427,853 B2 * 8/2002 Brozak, Jr. 211/55
 D478,745 S * 8/2003 Sparkowski D6/474
 D534,015 S * 12/2006 Bretz et al. D6/468
 D541,557 S * 5/2007 Weatherly et al. D6/474
 D573,809 S * 7/2008 Levy et al. D6/457
 D586,582 S * 2/2009 Alexander D6/457
 D591,531 S * 5/2009 Sparkowski D6/464
 D602,711 S * 10/2009 Cruz D6/450
 D609,937 S * 2/2010 Ricereto D6/432
 D631,678 S * 2/2011 Morison D6/468
 D644,453 S * 9/2011 Levy et al. D6/457
 D669,284 S * 10/2012 Canavan et al. D6/473

(Continued)

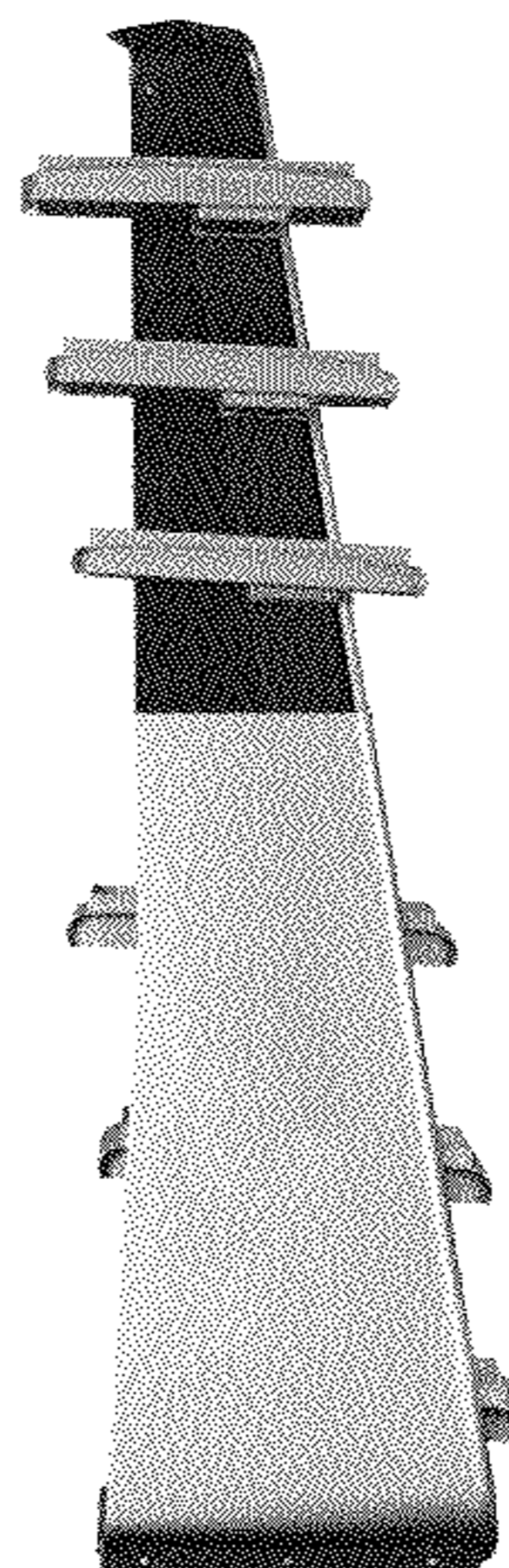
Primary Examiner — Kelley Donnelly
 (74) *Attorney, Agent, or Firm* — TechMark a Law Corp.;
 Martin R. Greenstein

(57) **CLAIM**
 The ornamental design for a point of sale display rack, as shown and described.

DESCRIPTION

FIG. 1 is a front view of the point of sale display rack according to the present invention;
 FIG. 2 is a rear view of the point of sale display rack as shown in FIG. 1;
 FIG. 3 is a top view of the point of sale display rack as shown in FIG. 1;
 FIG. 4 is a left side view of the point of sale display rack as shown in FIG. 1;
 FIG. 5 is a right side view of the point of sale display rack as shown in FIG. 1; and,
 FIG. 6 is a front left side perspective view of the point of sale display rack as shown in FIG. 1.
 The bottom view forms no part of the claimed design and is omitted.

1 Claim, 6 Drawing Sheets



(56)

References Cited

D682,582 S * 5/2013 Levy et al. D6/680.2
D689,715 S * 9/2013 Wong D6/675.1

U.S. PATENT DOCUMENTS

D669,703 S * 10/2012 Wu D6/397 * cited by examiner

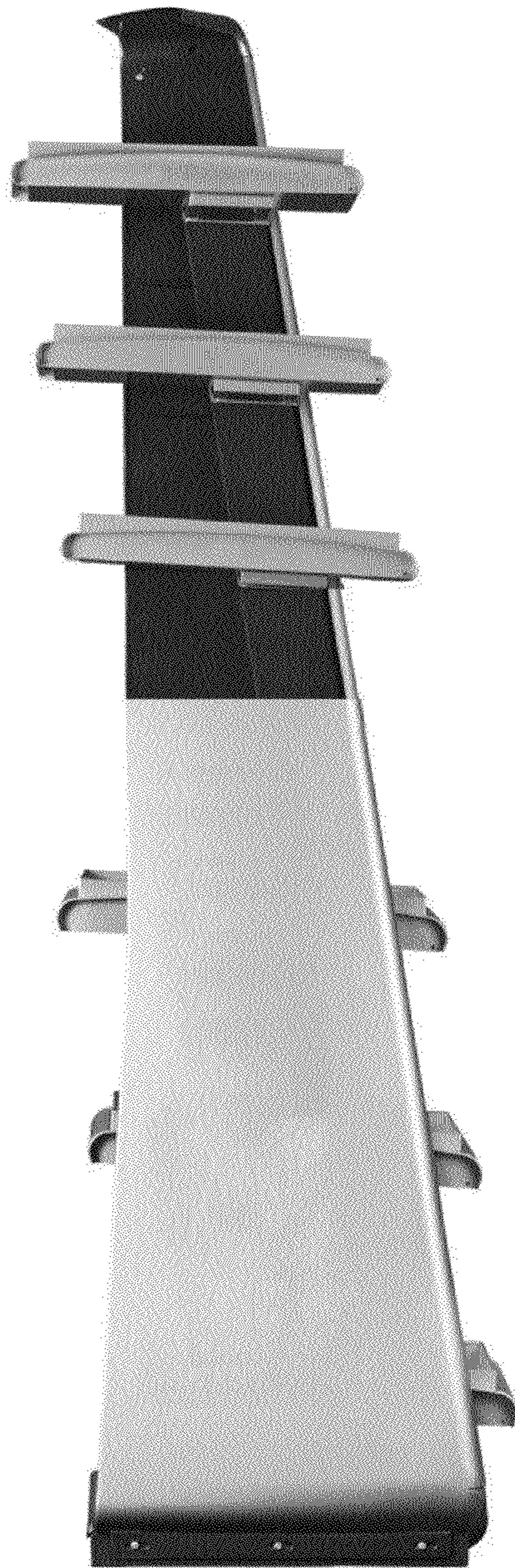


Fig. 1

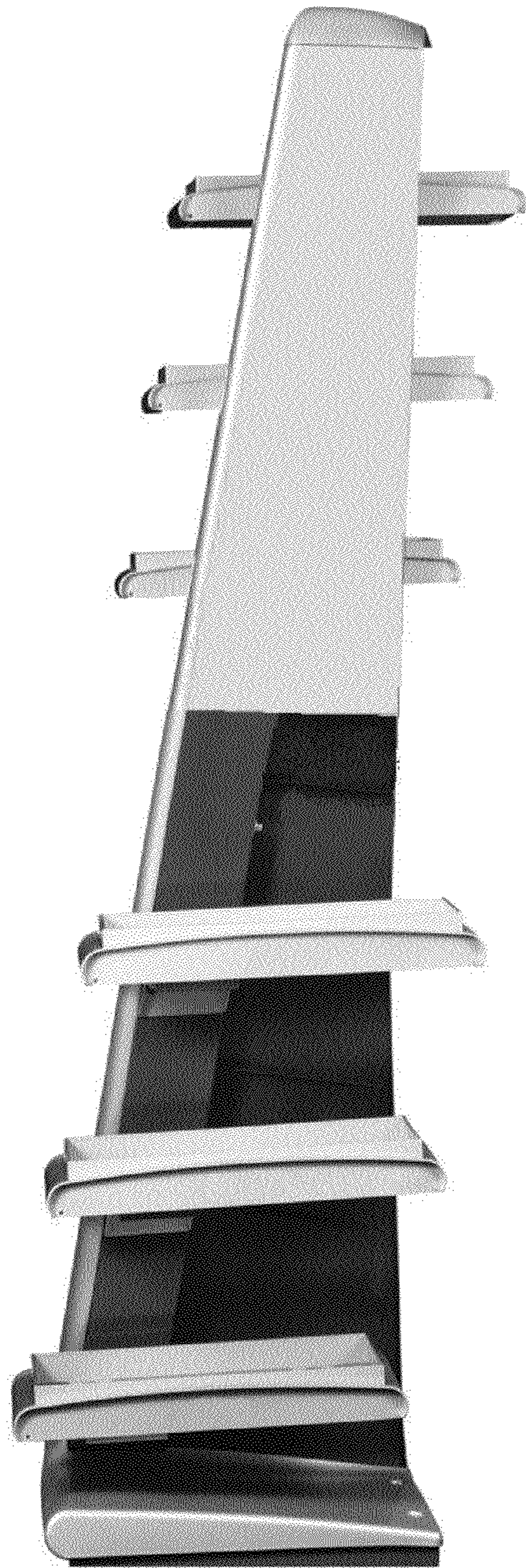


Fig. 2

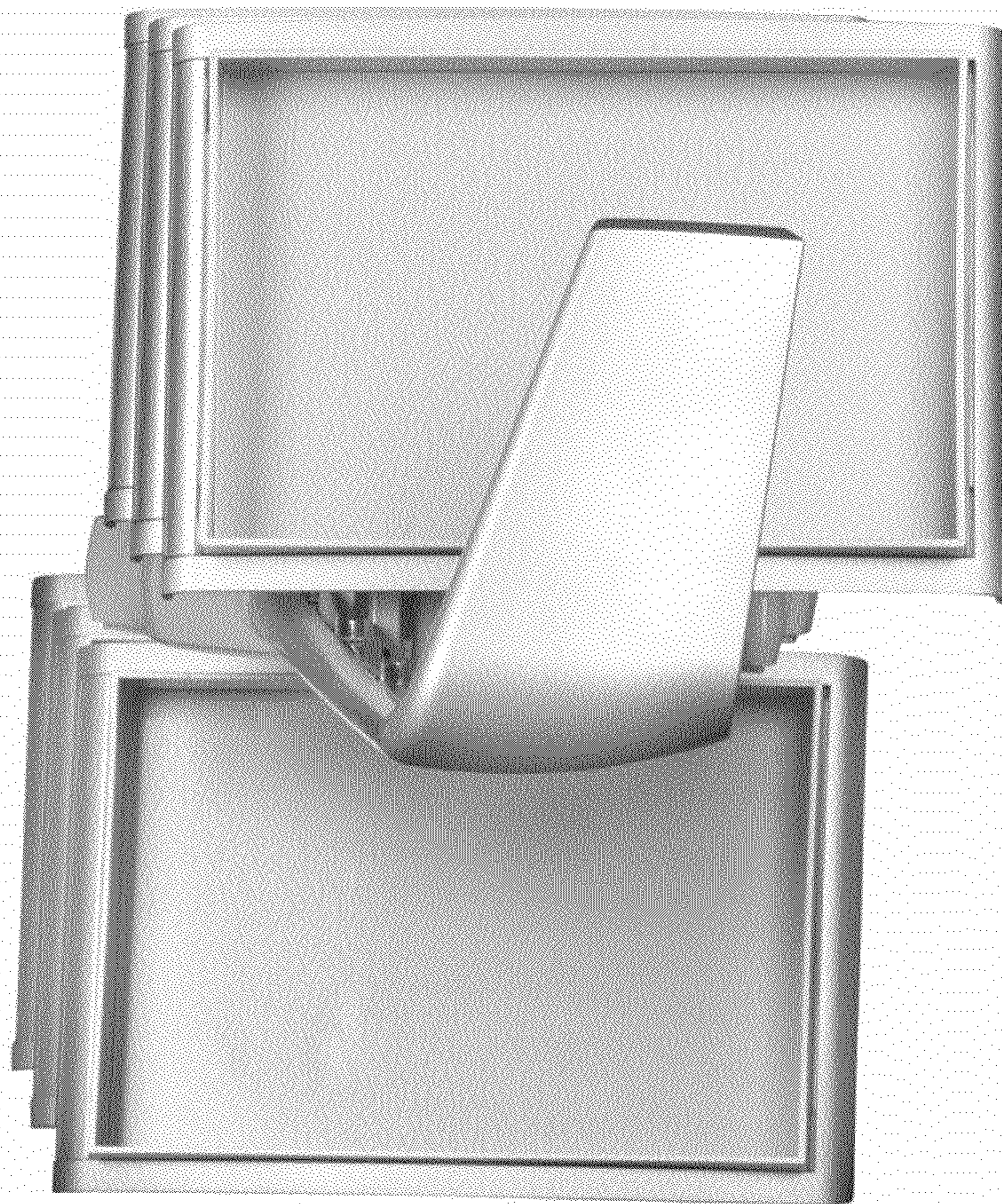


Fig. 3

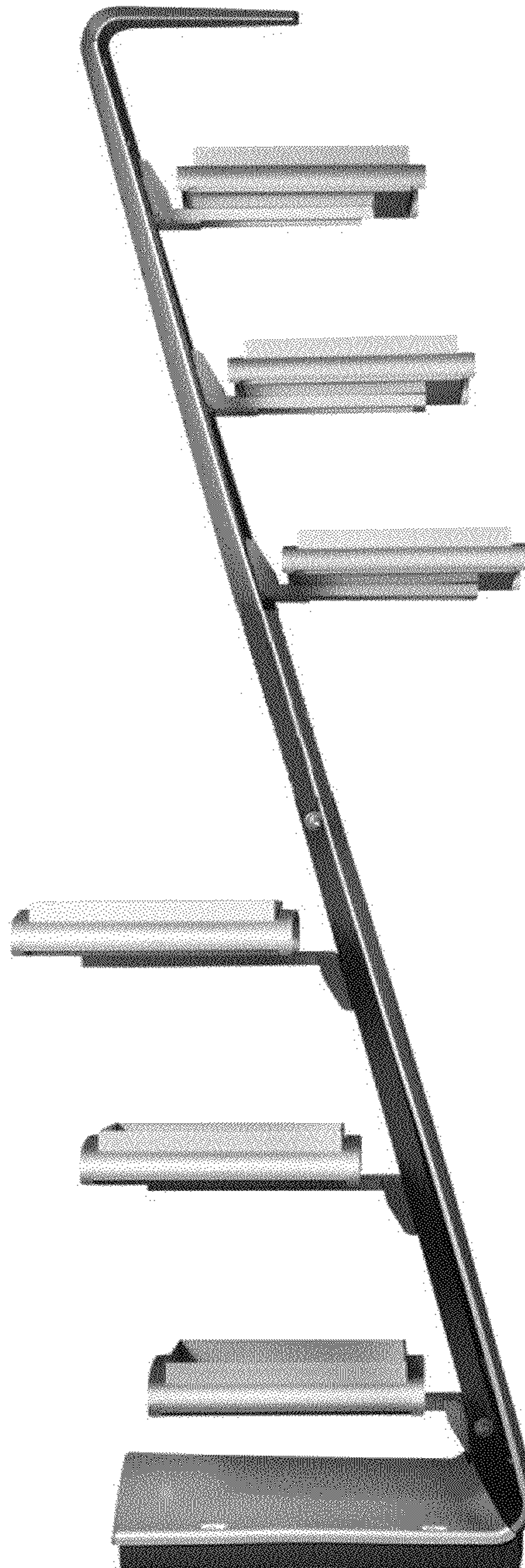


Fig. 4

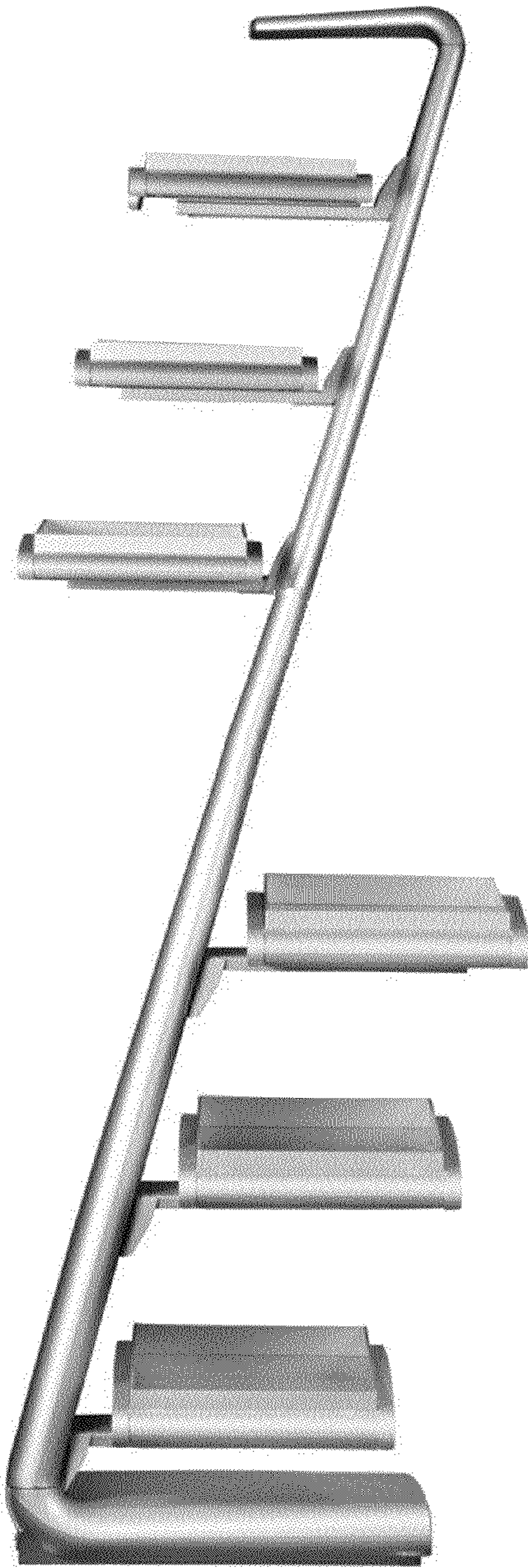


Fig. 5

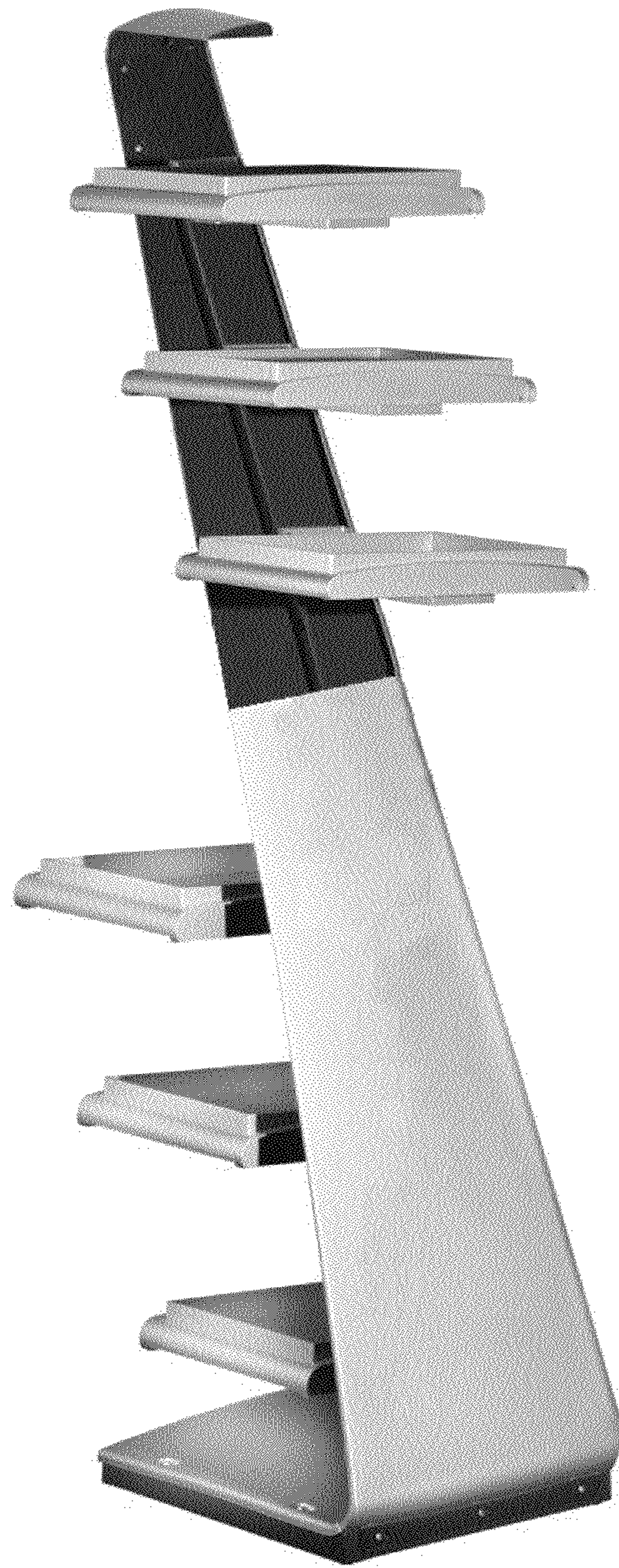


Fig. 6