



US00D722240S

(12) **United States Design Patent**
Mason, Jr. et al.

(10) **Patent No.:** **US D722,240 S**
(45) **Date of Patent:** **** Feb. 10, 2015**

- (54) **STEEL EXERCISE BALL CASE**
- (71) Applicants: **Jewel Mason, Jr.**, Atmore, AL (US);
Britney Mason, Atmore, AL (US)
- (72) Inventors: **Jewel Mason, Jr.**, Atmore, AL (US);
Britney Mason, Atmore, AL (US)
- (**) Term: **14 Years**
- (21) Appl. No.: **29/459,654**
- (22) Filed: **Jul. 2, 2013**
- (51) **LOC (10) Cl.** **06-04**
- (52) **U.S. Cl.**
USPC **D6/661.2**
- (58) **Field of Classification Search**
USPC D6/657, 659, 660, 661, 661.1, 661.2;
312/114, 116, 117; 206/315.9; 211/14
See application file for complete search history.

(56) **References Cited**

U.S. PATENT DOCUMENTS

| | | | | | | |
|--------------|----|---|---------|-------------|-------|-----------|
| D149,294 | S | * | 4/1948 | Newman | | D6/661.1 |
| D241,294 | S | * | 9/1976 | Zimble | | D6/661.2 |
| 4,103,773 | A | * | 8/1978 | Haber | | 206/315.9 |
| D275,969 | S | * | 10/1984 | Bowers | | D6/661.1 |
| 4,984,784 | A | | 1/1991 | Bailey | | |
| D322,526 | S | * | 12/1991 | Leis et al. | | D6/661 |
| D327,307 | S | | 6/1992 | Mojden | | |
| D373,693 | S | * | 9/1996 | Elhage | | D6/661 |
| 5,551,832 | A | * | 9/1996 | Kelly | | 211/14 |
| 5,580,336 | A | | 12/1996 | Coallier | | |
| D494,233 | S | | 8/2004 | Kerry | | |
| D611,726 | S | * | 3/2010 | DeVelde | | D6/661 |
| 8,177,690 | B2 | | 5/2012 | Wierszewski | | |
| 2012/0309593 | A1 | | 12/2012 | Smith | | |

OTHER PUBLICATIONS

#4 Stainless Steel Chinese Healthy Exercise Massage Metal Balls.
<http://www.amazon.com/Stainless-Chinese-Healthy-Exercise-Massage/dp/B001MQBQO0> Pub. Sep. 24, 2010.

* cited by examiner

Primary Examiner — Mimoso De
(74) *Attorney, Agent, or Firm* — Robert C. Montgomery;
Montgomery Patents & Design

(57) **CLAIM**

The ornamental design for a steel exercise ball case, as shown and described.

DESCRIPTION

FIG. 1 is an isometric view of a steel exercise ball case, illustrating a transparent cover portion and a platform portion in juxtaposition;

FIG. 2 is an isometric view of the transparent cover portion of the steel exercise ball case;

FIG. 3 is a front view of FIG. 2, wherein a rear view is a mirror image of the front view;

FIG. 4 is a left-hand side view of FIG. 2, wherein a right-hand side view is a mirror image of the left-hand side view;

FIG. 5 is a top view of FIG. 2;

FIG. 6 is a bottom view of FIG. 2;

FIG. 7 is an isometric view of the platform portion of the steel exercise ball case;

FIG. 8 is a front view of FIG. 7, wherein a rear view is a mirror image of the front view;

FIG. 9 is a left-hand side view of FIG. 7, wherein a right-hand side view is a mirror image of the left-hand side view;

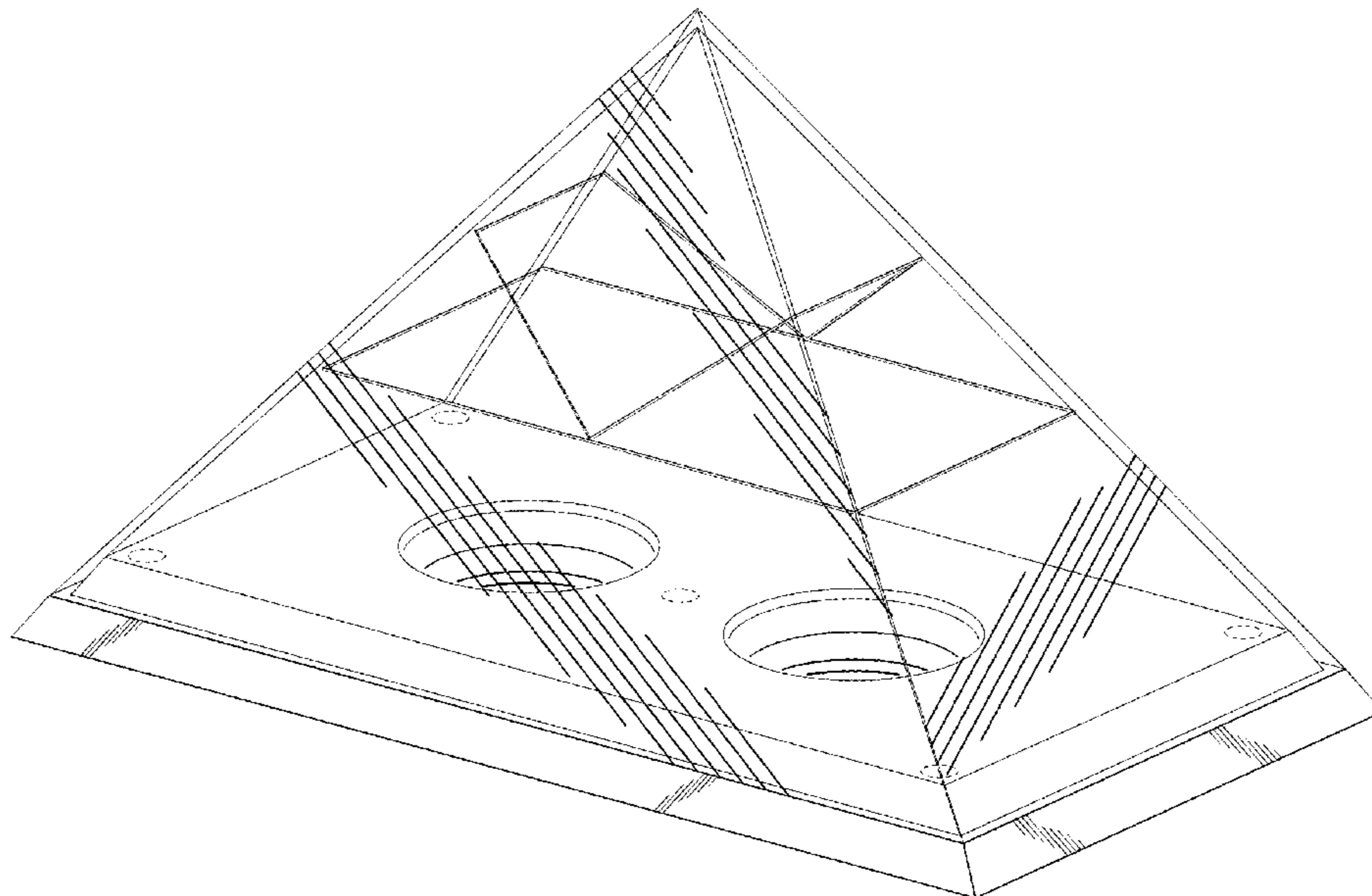
FIG. 10 is a top view of FIG. 7;

FIG. 11 is a bottom view of FIG. 7; and,

FIG. 12 is an isometric view of the steel exercise ball case, illustrating the transparent cover portion resting on top of the platform portion.

FIGS. 2-11 shown separately for ease of illustration.

1 Claim, 12 Drawing Sheets



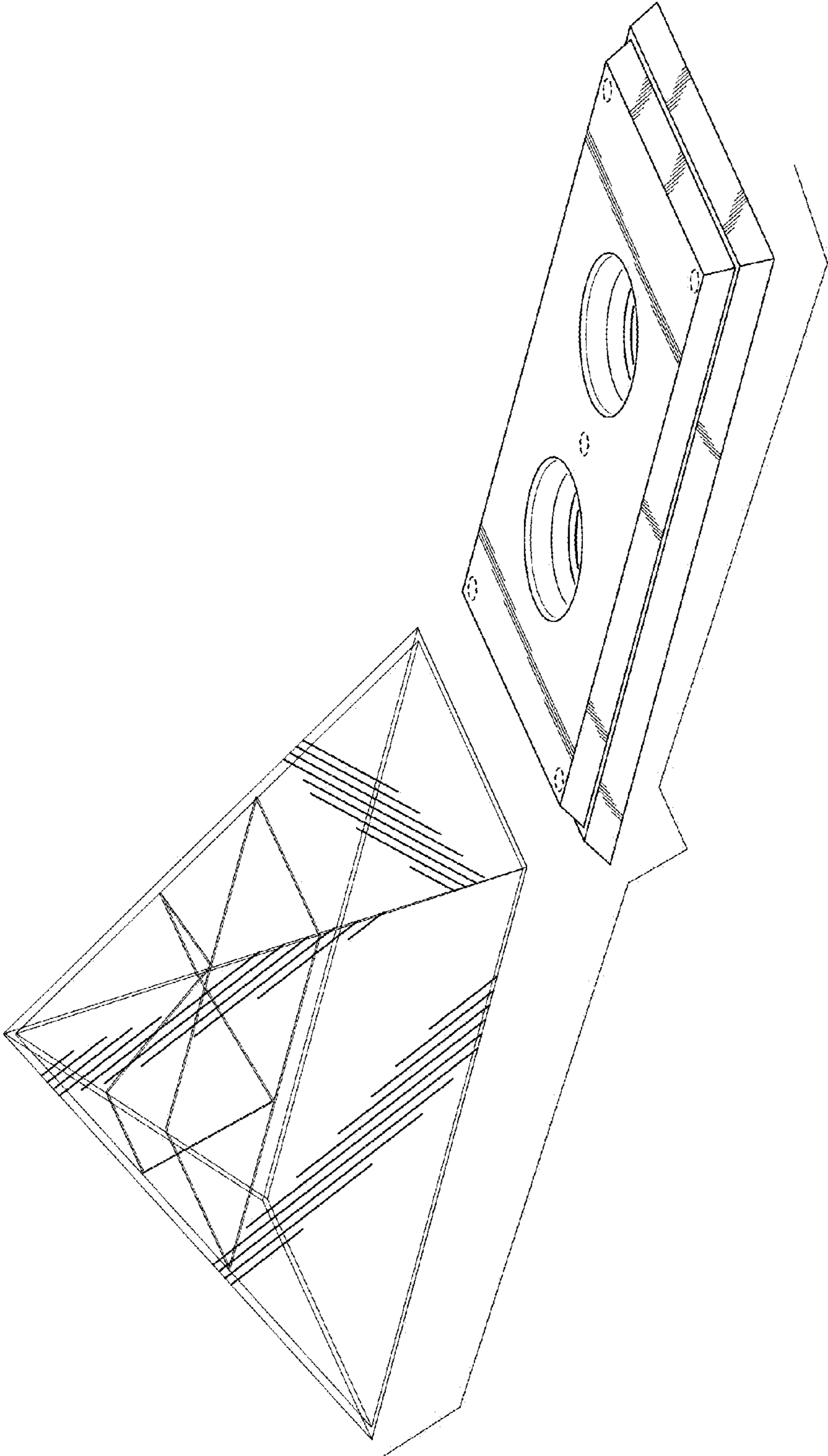


Fig. 1

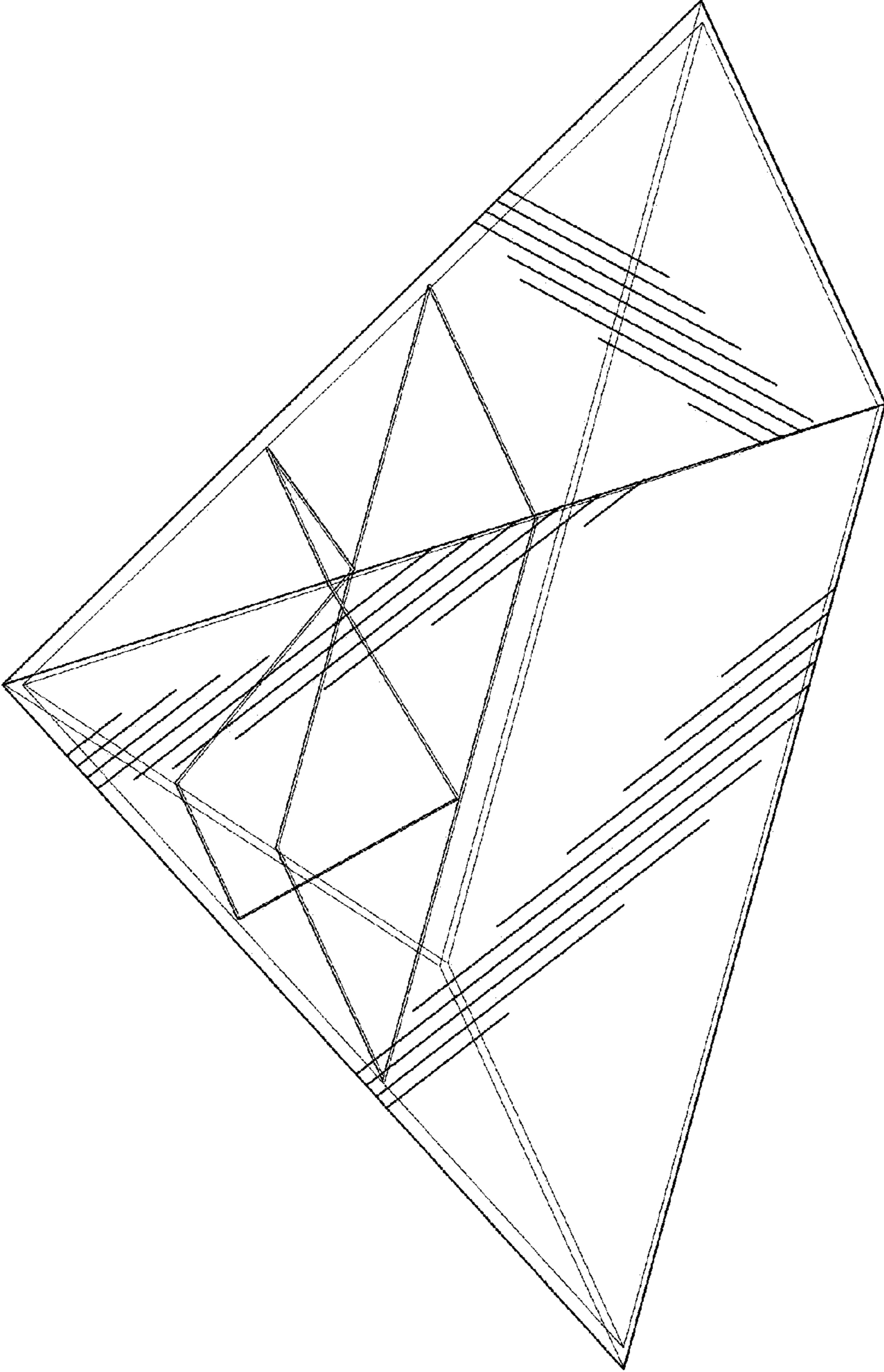


Fig. 2

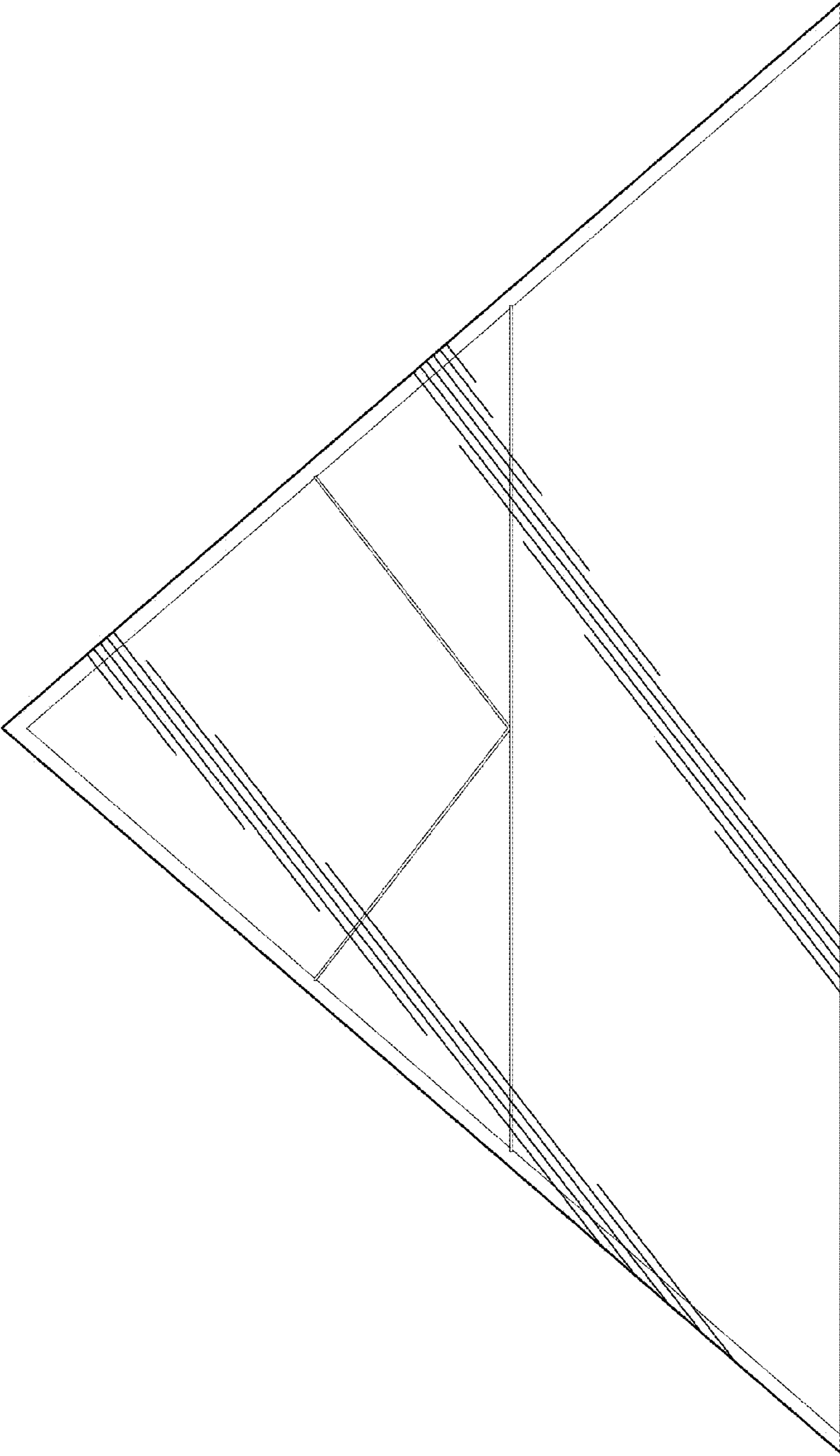


Fig. 3

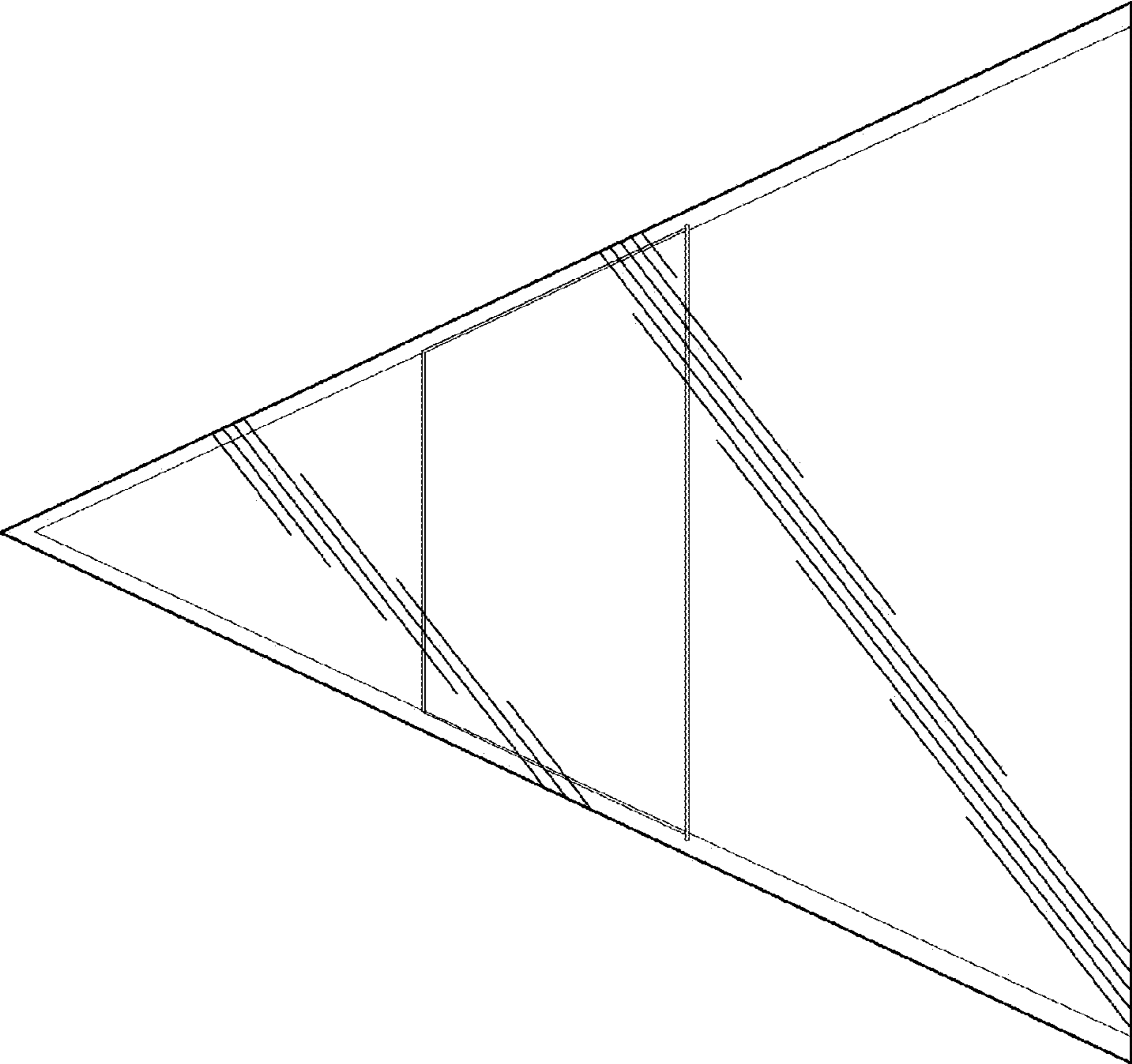


Fig. 4

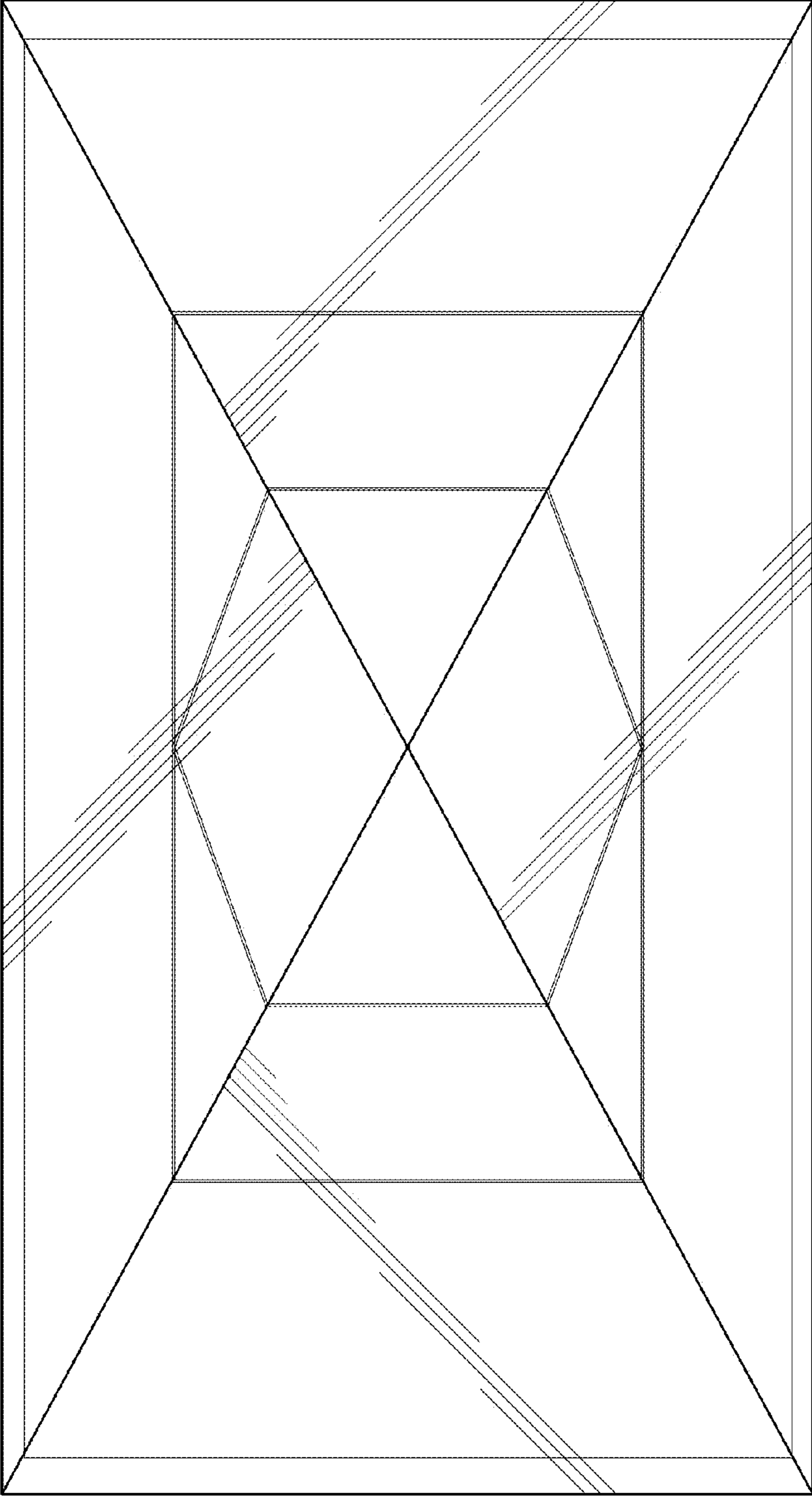


Fig. 5

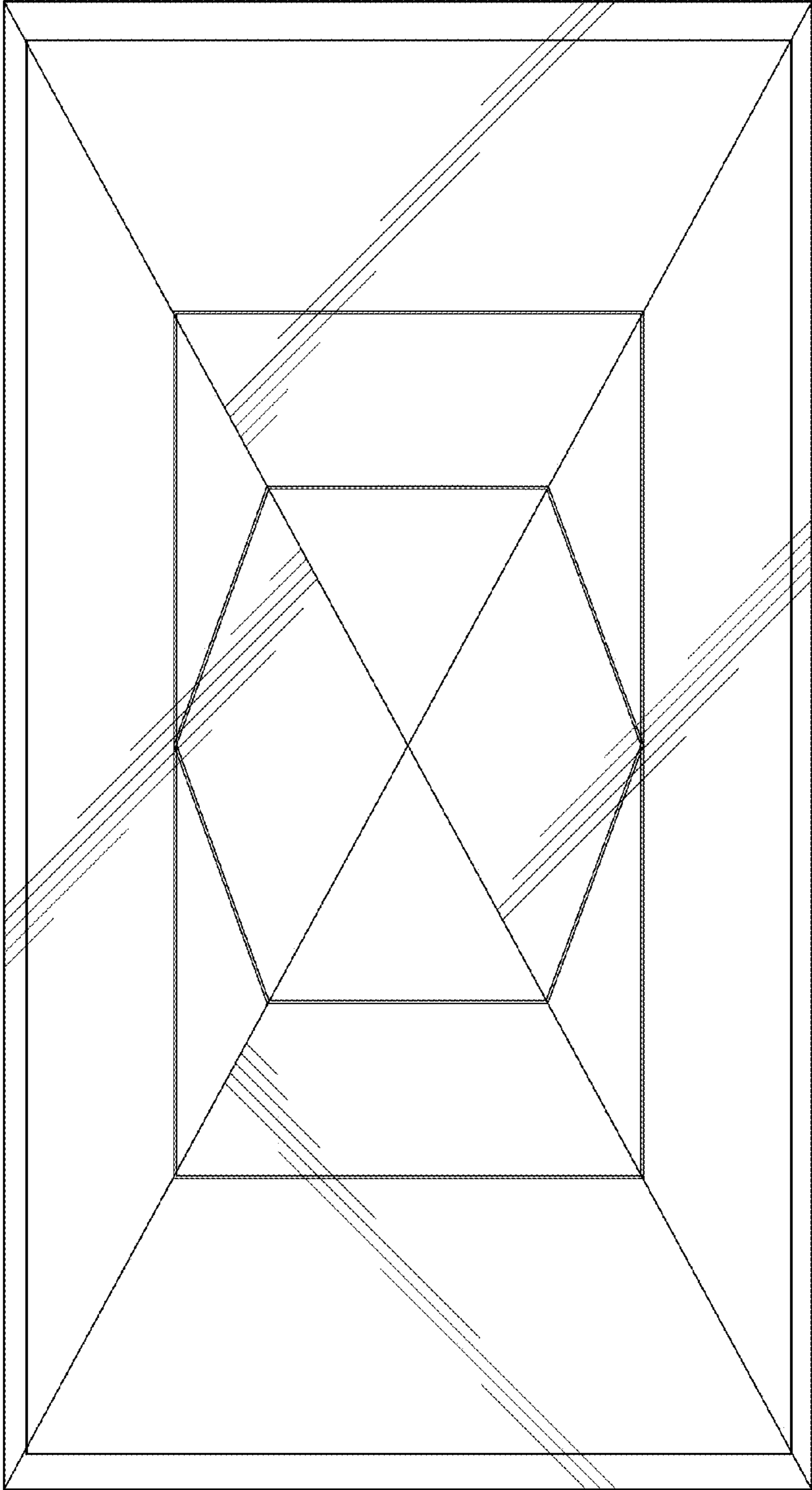


Fig. 6

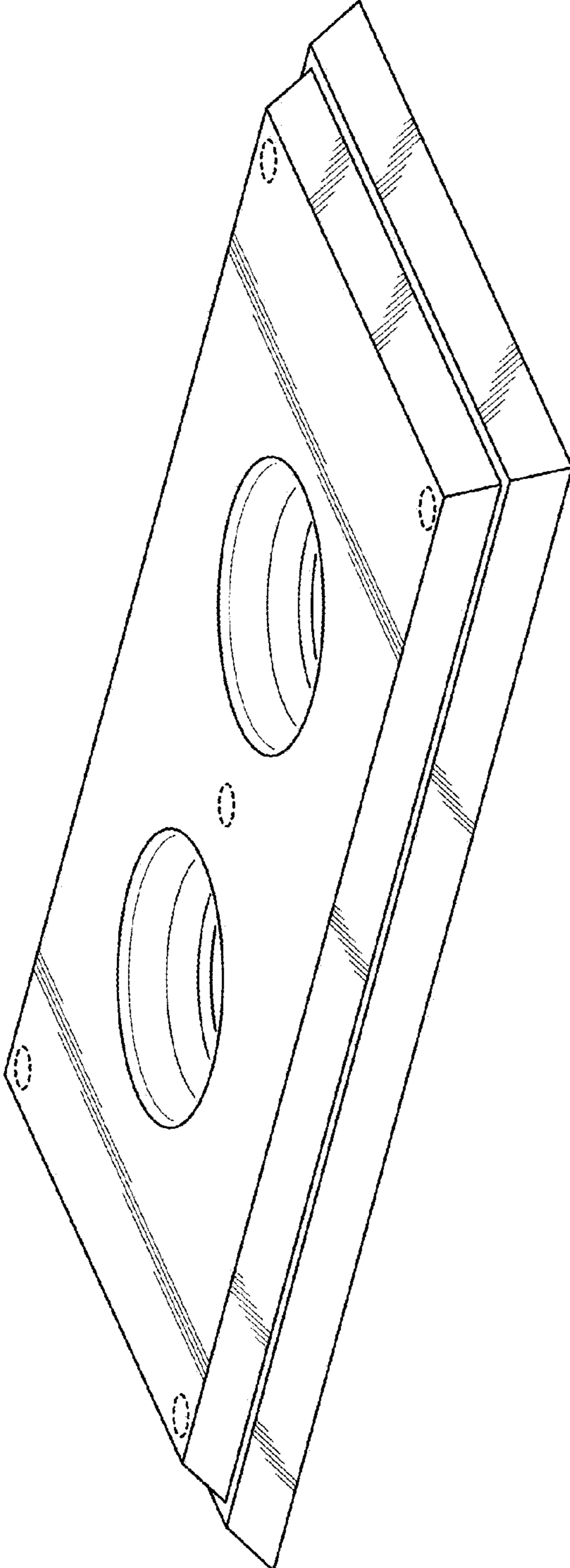


Fig. 7

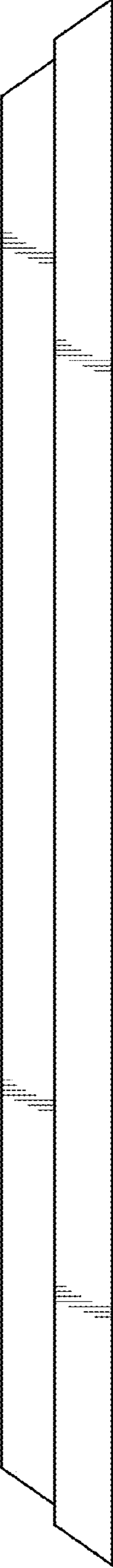


Fig. 8

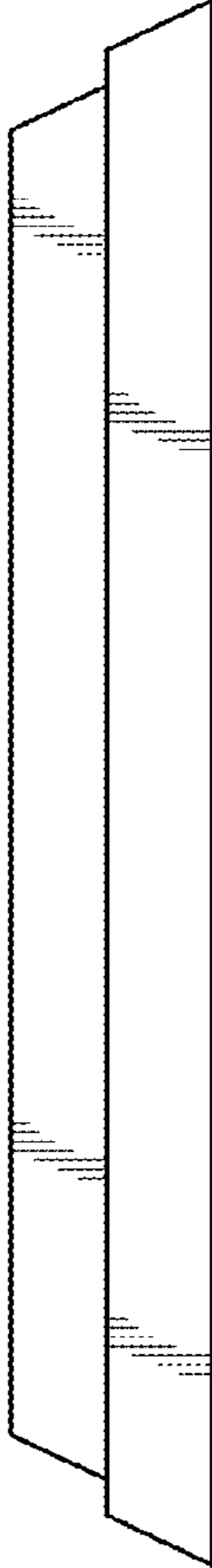


Fig. 9

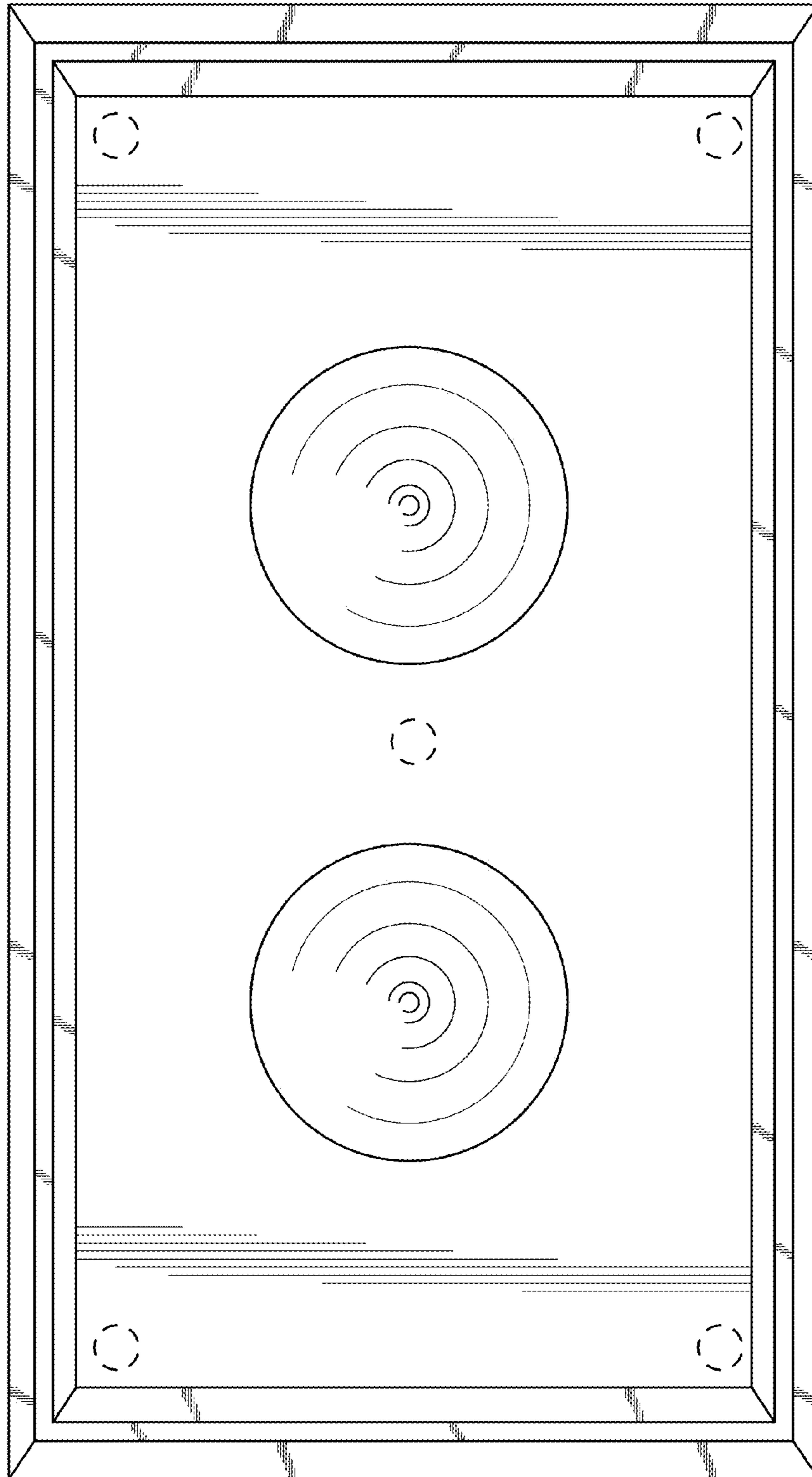


Fig. 10

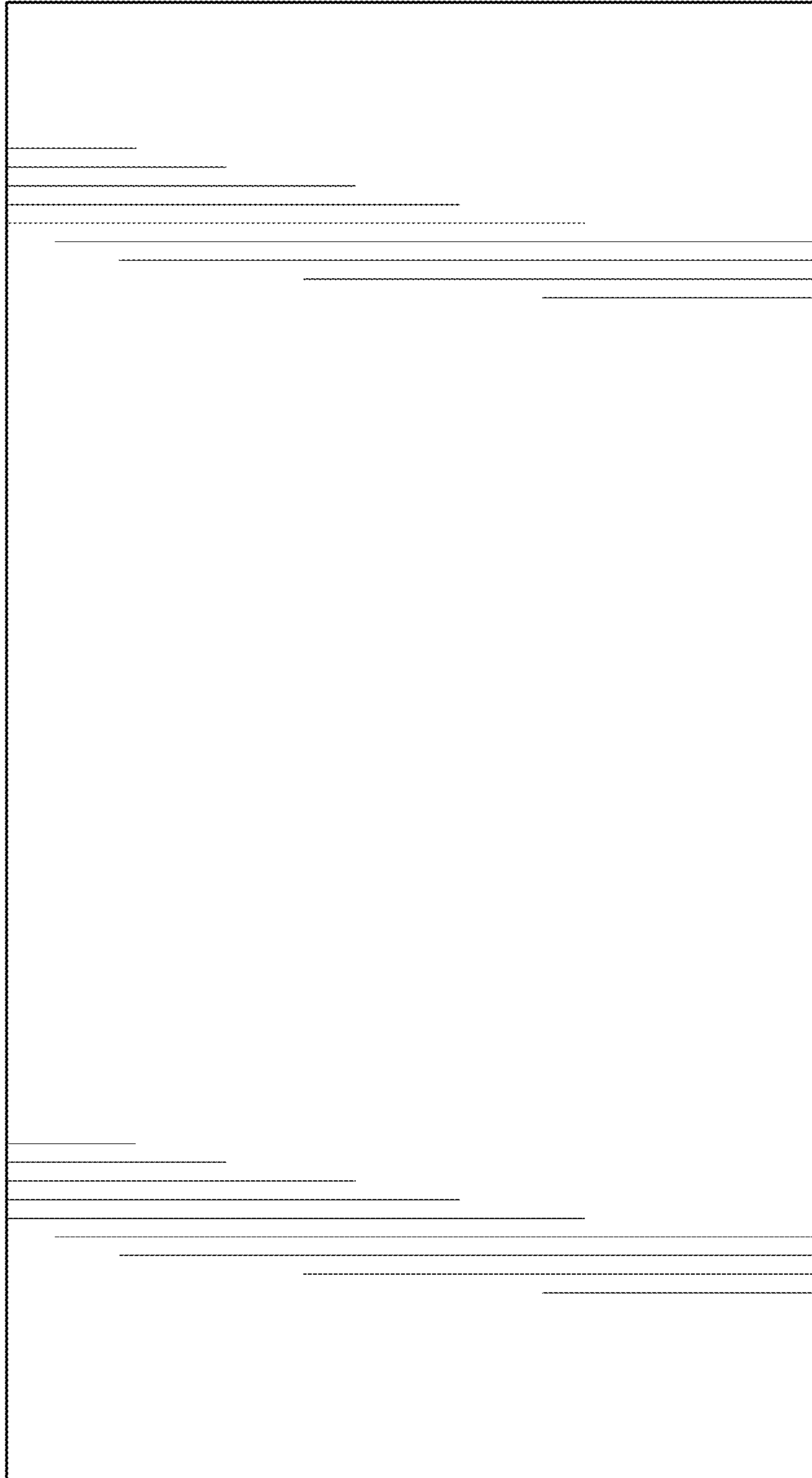


Fig. 11

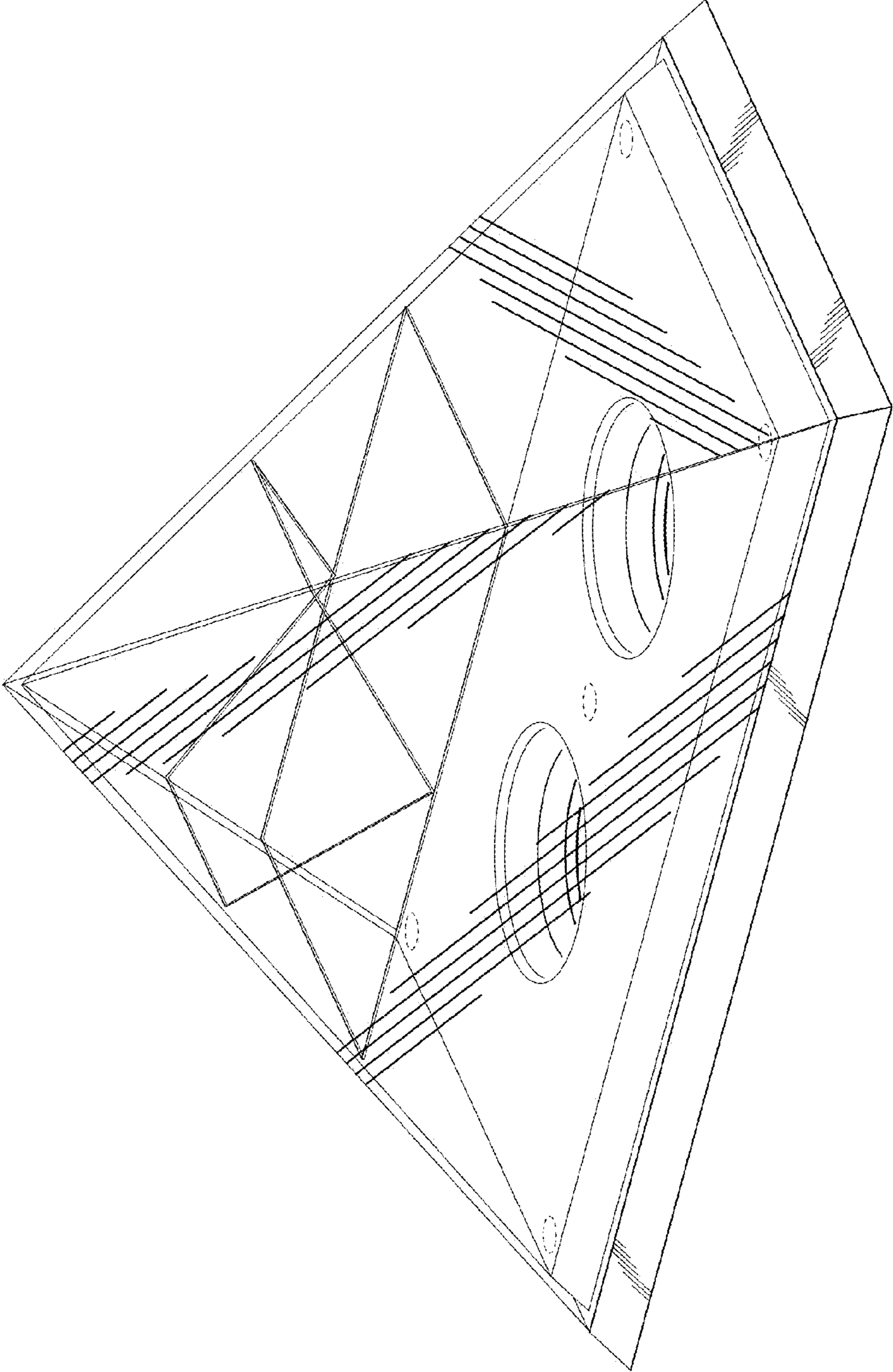


Fig. 12