



US00D722238S

(12) **United States Design Patent**  
**Baraldi et al.**

(10) **Patent No.:** **US D722,238 S**  
(45) **Date of Patent:** **\*\* Feb. 10, 2015**

(54) **BENCH**

(71) Applicant: **QubicaAMF Worldwide, LLC**,  
Mechanicsville, VA (US)

(72) Inventors: **Massimo Baraldi**, Bologna (IT);  
**Tommaso Parisi**, Bologna (IT)

(73) Assignee: **QubicaAMF Worldwide, LLC**,  
Mechanicsville, VA (US)

(\*\*) Term: **14 Years**

(21) Appl. No.: **29/472,726**

(22) Filed: **Nov. 15, 2013**

(51) **LOC (10) Cl.** ..... **06-01**

(52) **U.S. Cl.**  
USPC ..... **D6/336**

(58) **Field of Classification Search**

CPC ..... A47C 17/00; A47C 17/02; A47C 17/12;  
A47C 17/18; A47C 7/021; A47C 31/00;  
A47C 3/16

USPC ..... D6/334, 335, 336, 379, 381, 369, 349;  
297/94, 118, 232, 445.1, 448.1, DIG. 7

See application file for complete search history.

(56) **References Cited**

U.S. PATENT DOCUMENTS

D273,156 S \* 3/1984 Dubbin et al. .... D6/334  
D366,158 S \* 1/1996 Wirth ..... D6/362  
D689,295 S \* 9/2013 Schweikarth et al. .... D6/374

\* cited by examiner

*Primary Examiner* — Sandra Snapp

(74) *Attorney, Agent, or Firm* — Andrew M. Calderon;  
Roberts Mlotkowski Safran & Cole, P.C.

(57) **CLAIM**

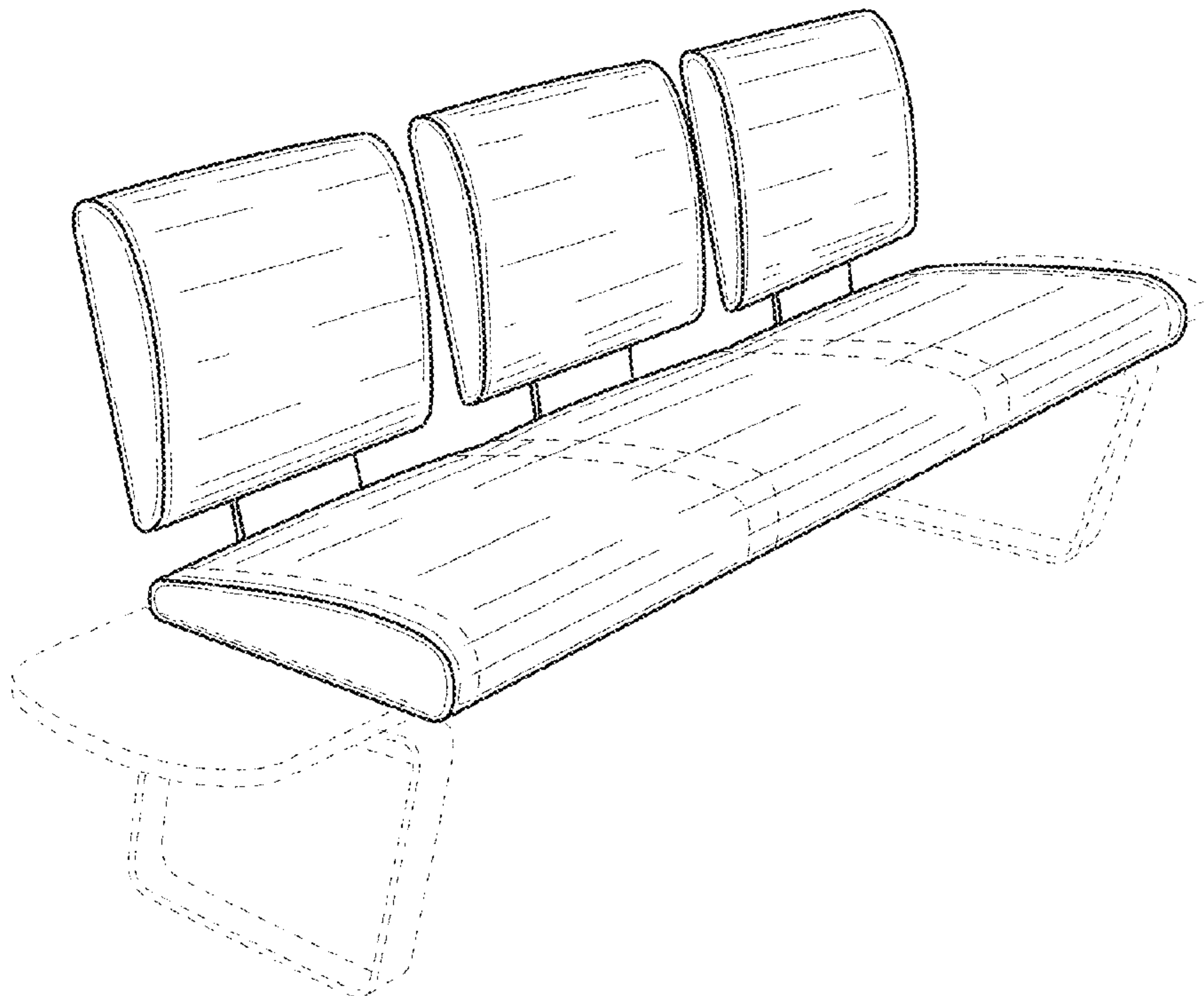
We claim the ornamental design for a bench, as shown and described.

**DESCRIPTION**

FIG. 1 is front view of a bench;  
FIG. 2 is rear view of the bench;  
FIG. 3 is a side view of the bench;  
FIG. 4 is a top view of the bench;  
FIG. 5 is a bottom view of the bench; and,  
FIG. 6 is a perspective view of the bench.

Applicant notes that the side view of the bench, as shown in FIG. 3 is representative of both a right side view and left side view of the bench. Any subject matter shown in dashed lines, and any surfaces of the design not shown, including interior surfaces, form no part of the claimed invention.

**1 Claim, 6 Drawing Sheets**



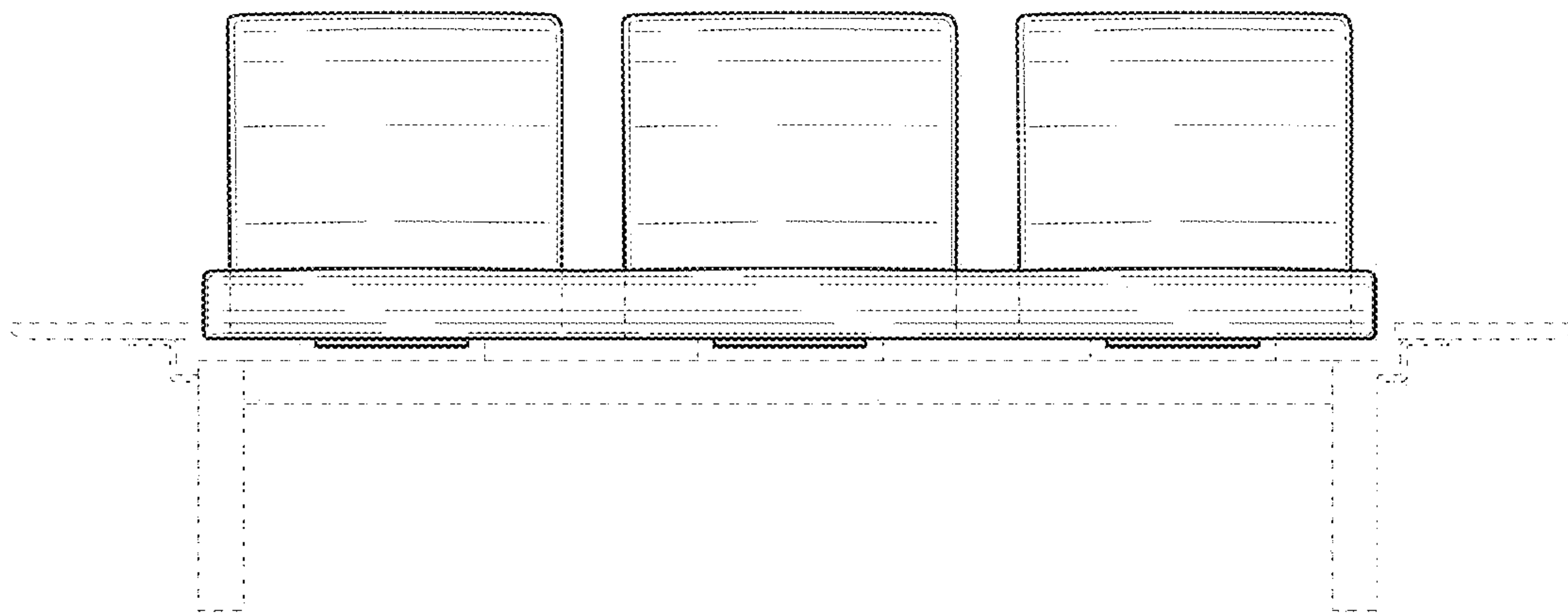


FIG. 1

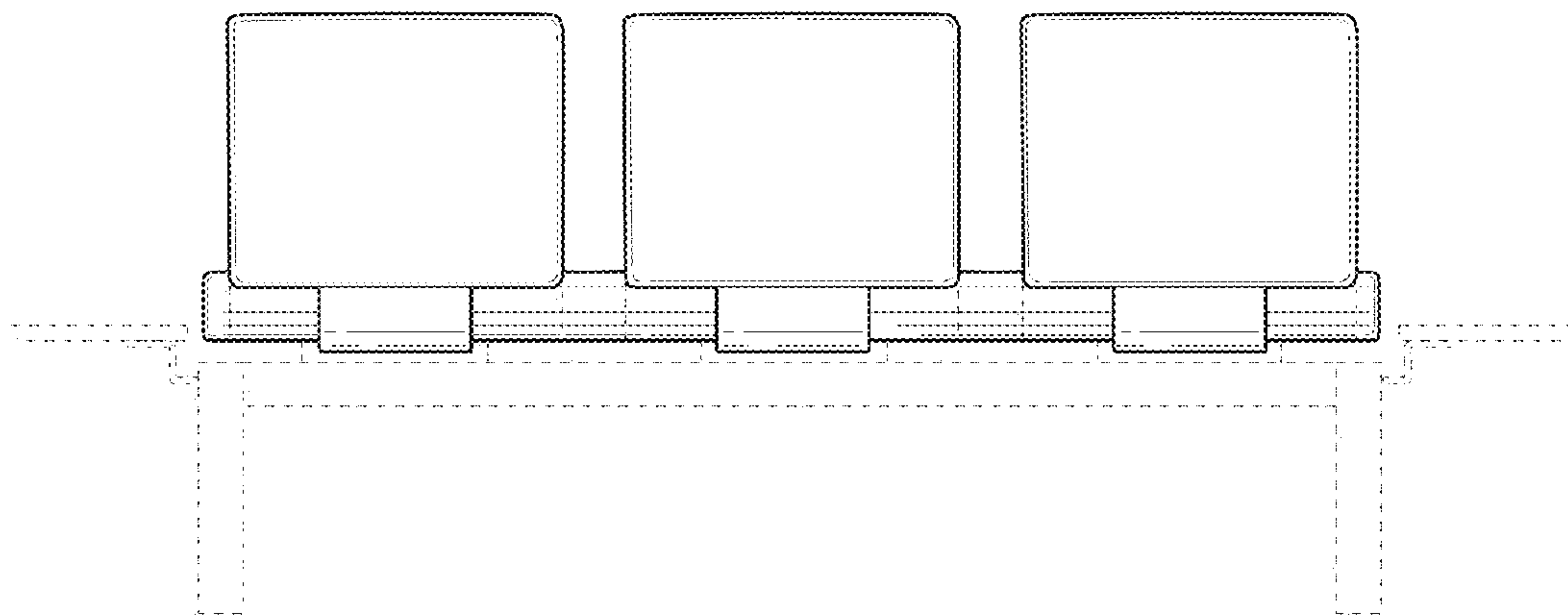


FIG. 2

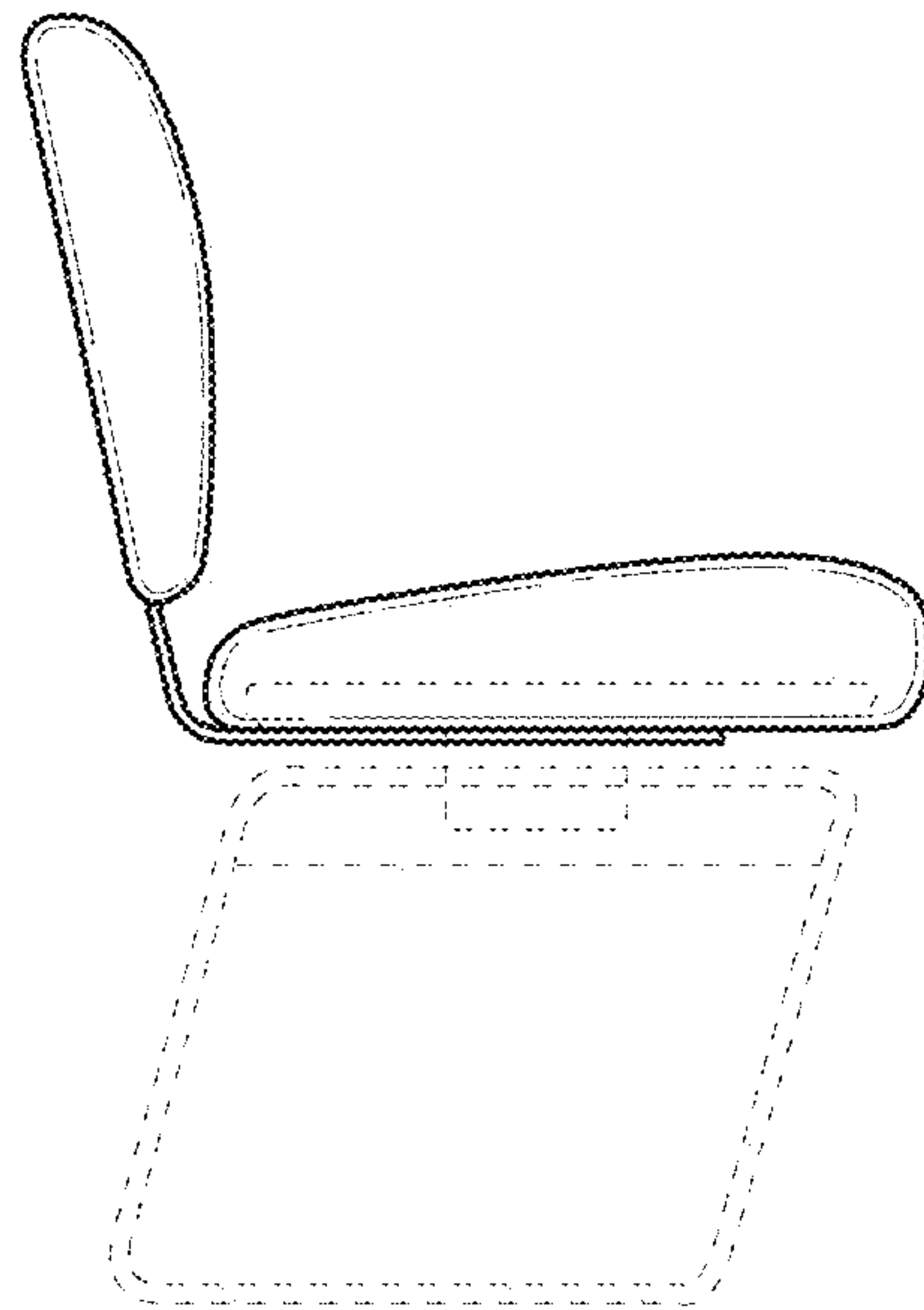


FIG. 3

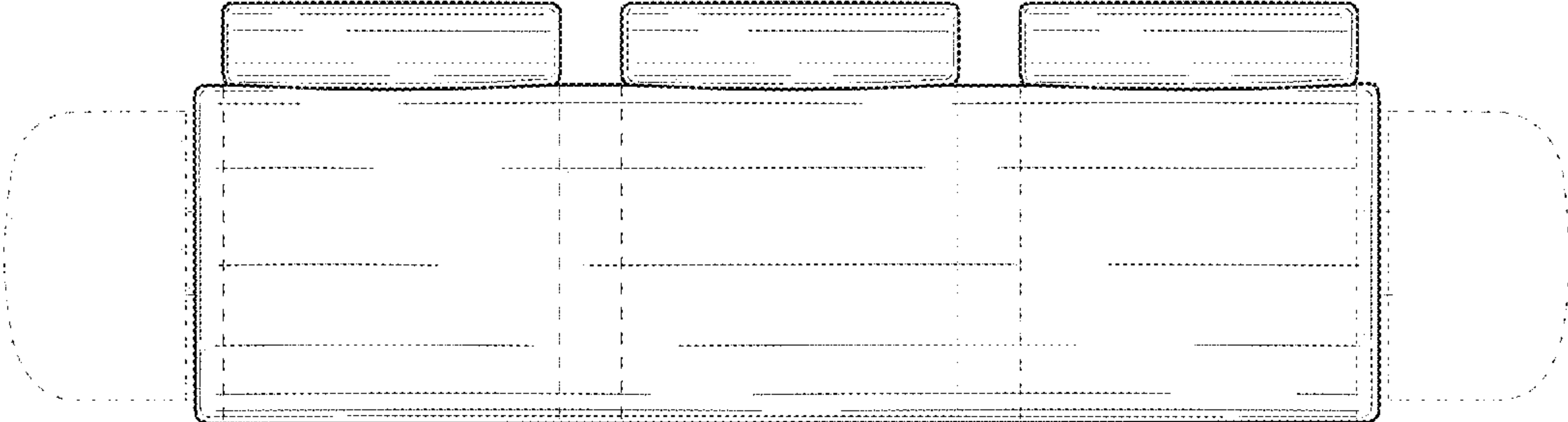


FIG. 4

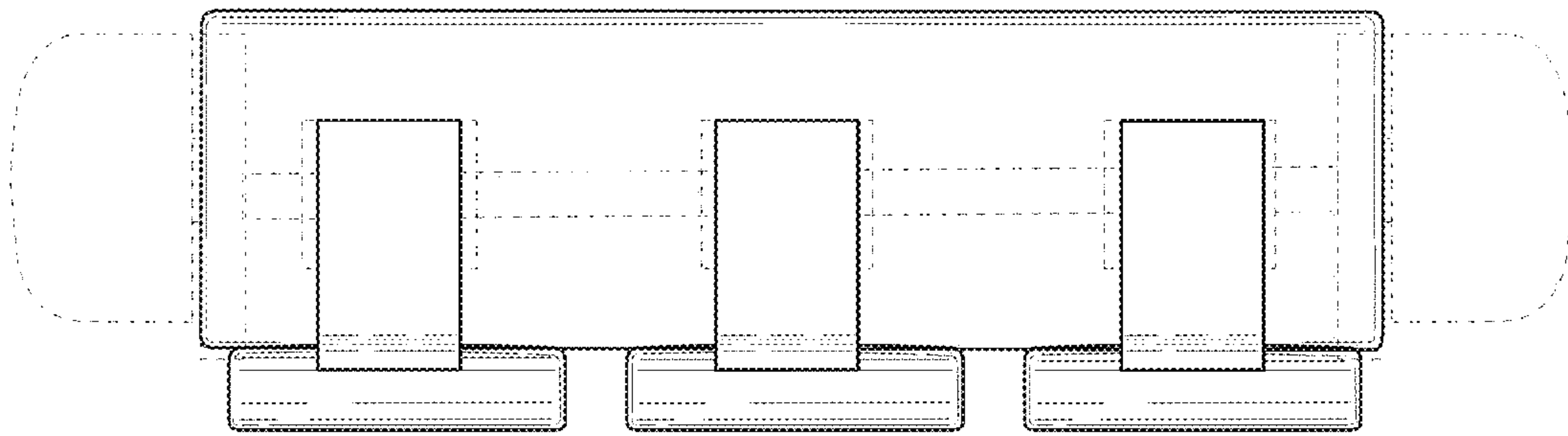


FIG. 5

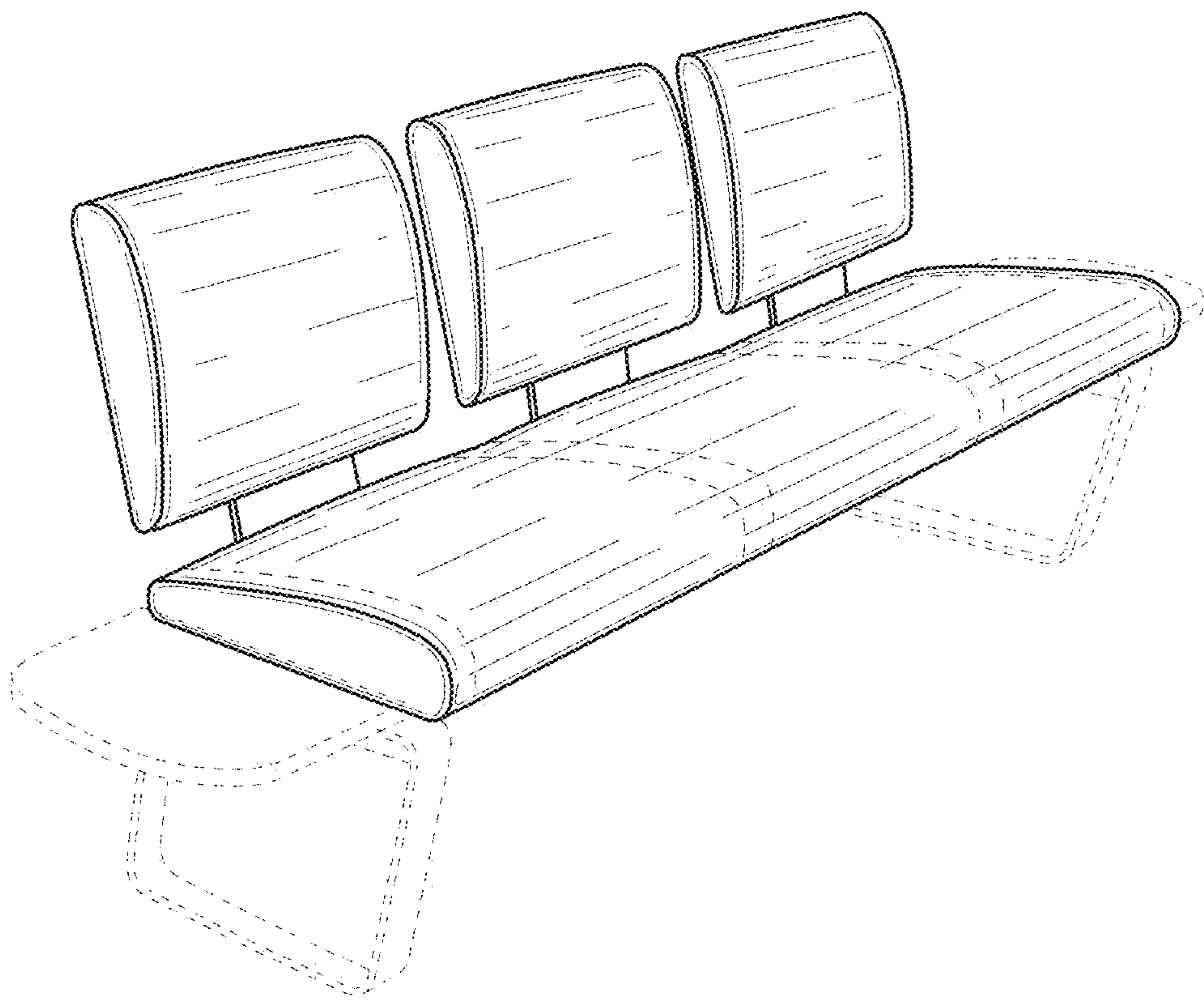


FIG. 6