



US00D722235S

(12) **United States Design Patent**  
**Meng**

(10) **Patent No.:** **US D722,235 S**

(45) **Date of Patent:** **\*\* Feb. 10, 2015**

(54) **CELLPHONE POCKET ON A WALLET**

(71) Applicant: **Richard Meng**, Mesa, AZ (US)

(72) Inventor: **Richard Meng**, Mesa, AZ (US)

(73) Assignee: **Richard Meng**, Mesa, AZ (US)

(\*\*) Term: **14 Years**

(21) Appl. No.: **29/464,612**

(22) Filed: **Aug. 19, 2013**

(51) **LOC (10) Cl.** ..... **03-01**

(52) **U.S. Cl.**  
USPC ..... **D3/318**

(58) **Field of Classification Search**

USPC ..... D3/19, 201, 215, 218, 303, 318;  
D14/250, 251, 253, 240, 217, 496, 440,  
D14/203.3, 203.4, 203.5, 203.8, 341, 318;  
190/100; 206/37, 38, 235, 305, 320,  
206/576, 701, 703; 224/268-271, 197, 904,  
224/245, 682-683; 379/426, 433.11, 455;  
455/575.1, 575.8; D21/469; 150/136,  
150/138, 143, 144, 150, 152

See application file for complete search history.

(56) **References Cited**

**U.S. PATENT DOCUMENTS**

1,949,936 A \* 3/1934 Haynsworth et al. .... 150/104  
D338,338 S \* 8/1993 Zaglin ..... D3/299  
D368,800 S \* 4/1996 Shink ..... D3/218

D413,430 S \* 9/1999 Granata ..... D3/10  
D448,553 S \* 10/2001 Williams ..... D3/215  
D449,732 S \* 10/2001 Dorizas ..... D3/201  
D527,891 S \* 9/2006 Hoeksema ..... D3/207  
D551,849 S \* 10/2007 Hoeksema ..... D3/207  
D623,852 S \* 9/2010 Kroll ..... D3/226  
7,918,371 B2 \* 4/2011 Wilson ..... 224/196  
D648,533 S \* 11/2011 Sosnovsky ..... D3/283

\* cited by examiner

*Primary Examiner* — Stella Reid

*Assistant Examiner* — Holly E Thurman

(57) **CLAIM**

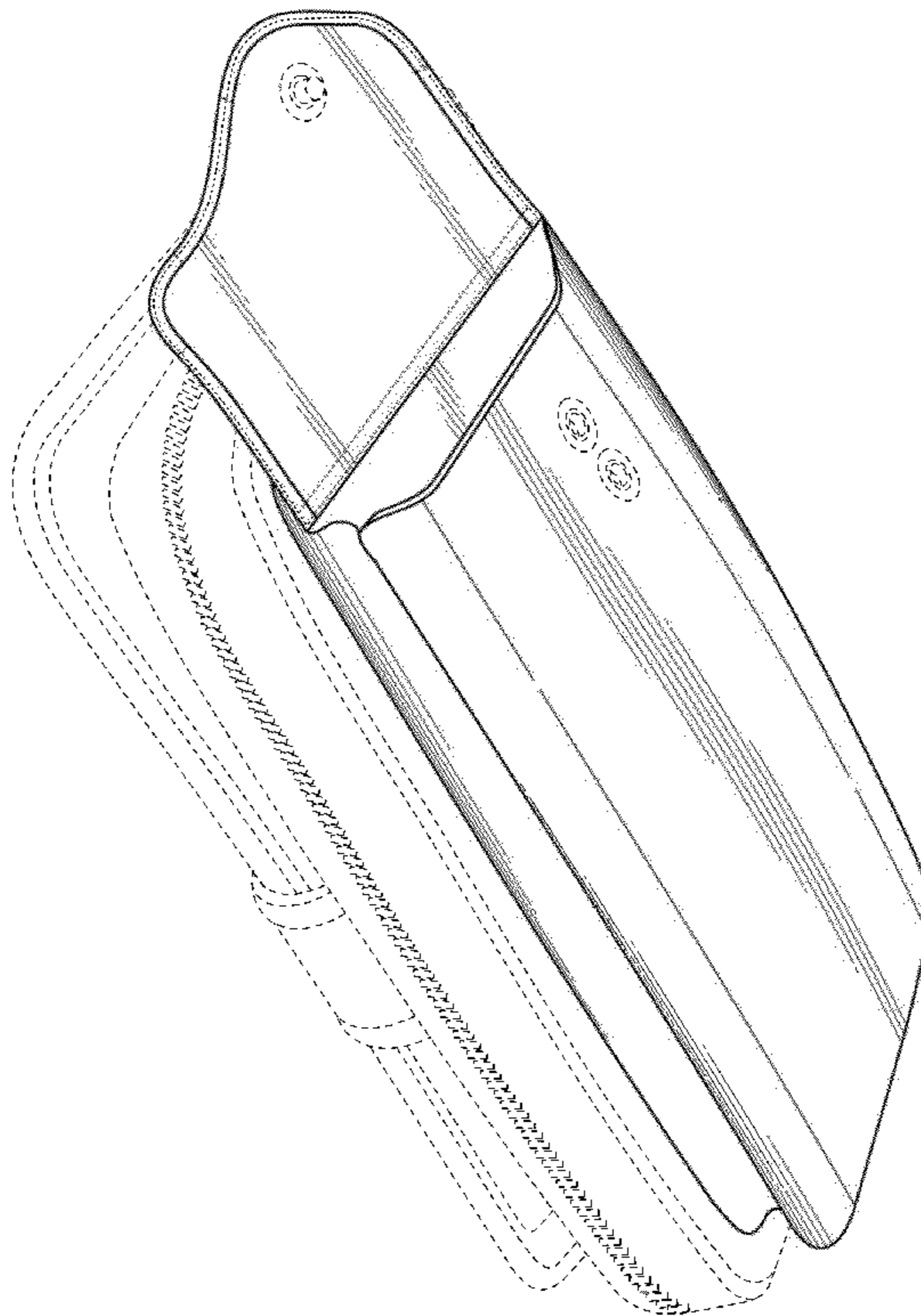
The ornamental design for a cellphone pocket on a wallet, as shown and described.

**DESCRIPTION**

FIG. 1 is a front and left side perspective view of a wallet showing my new design with the pocket cover open; FIG. 2 is a front elevational view thereof; FIG. 3 is a back elevational view thereof; FIG. 4 is a right side elevational view thereof; FIG. 5 is a left side elevational view thereof; FIG. 6 is a top plan view thereof; and, FIG. 7 is a bottom plan view thereof.

The broken lines showing of the wallet are included for the purpose of showing unclaimed environmental structure only and form no part of the claimed design. The fine dotted lines shown in the cellphone pocket on a wallet depict unclaimed decorative stitching, which also forms no part of the claimed design.

**1 Claim, 5 Drawing Sheets**



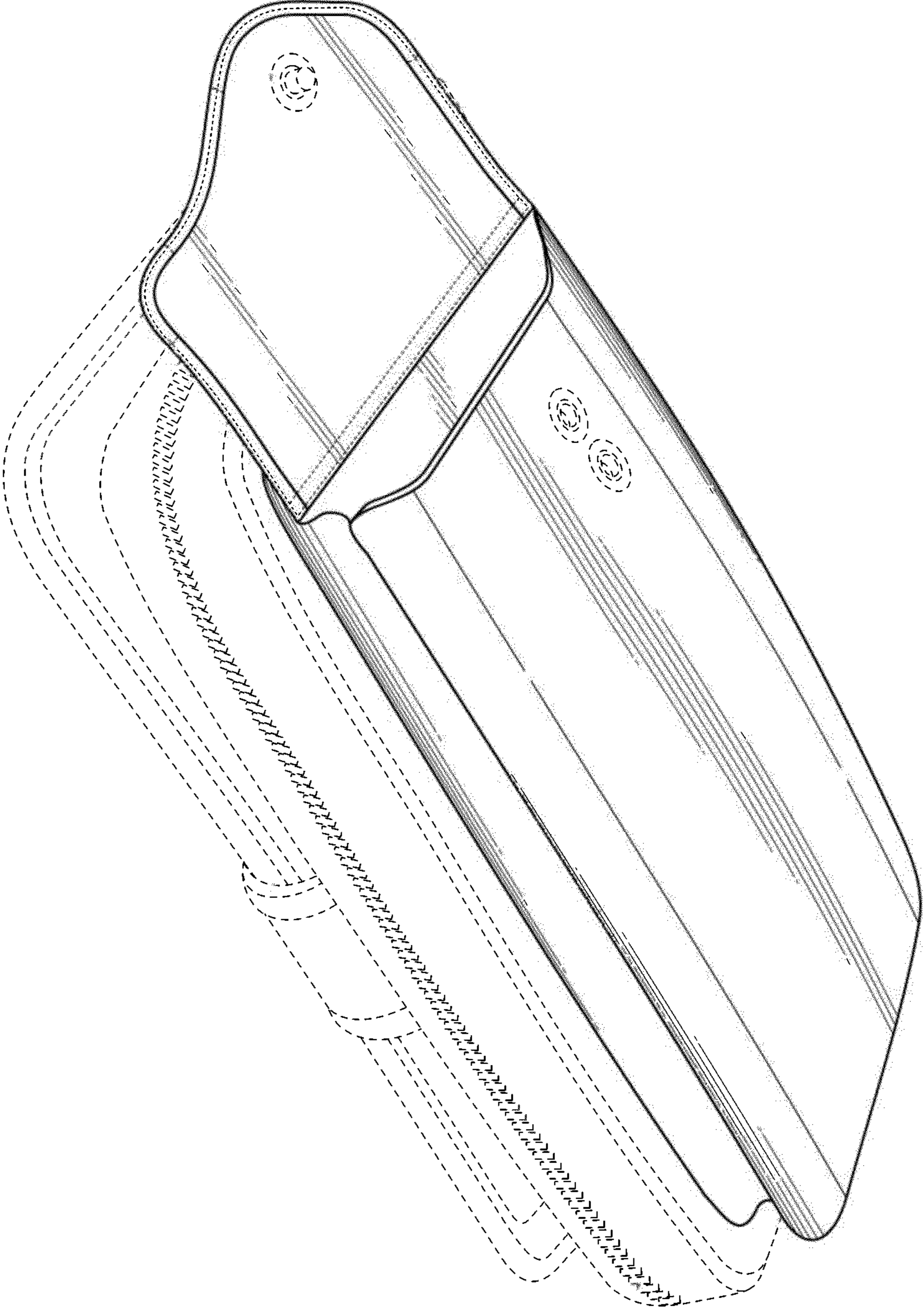


FIG. 1

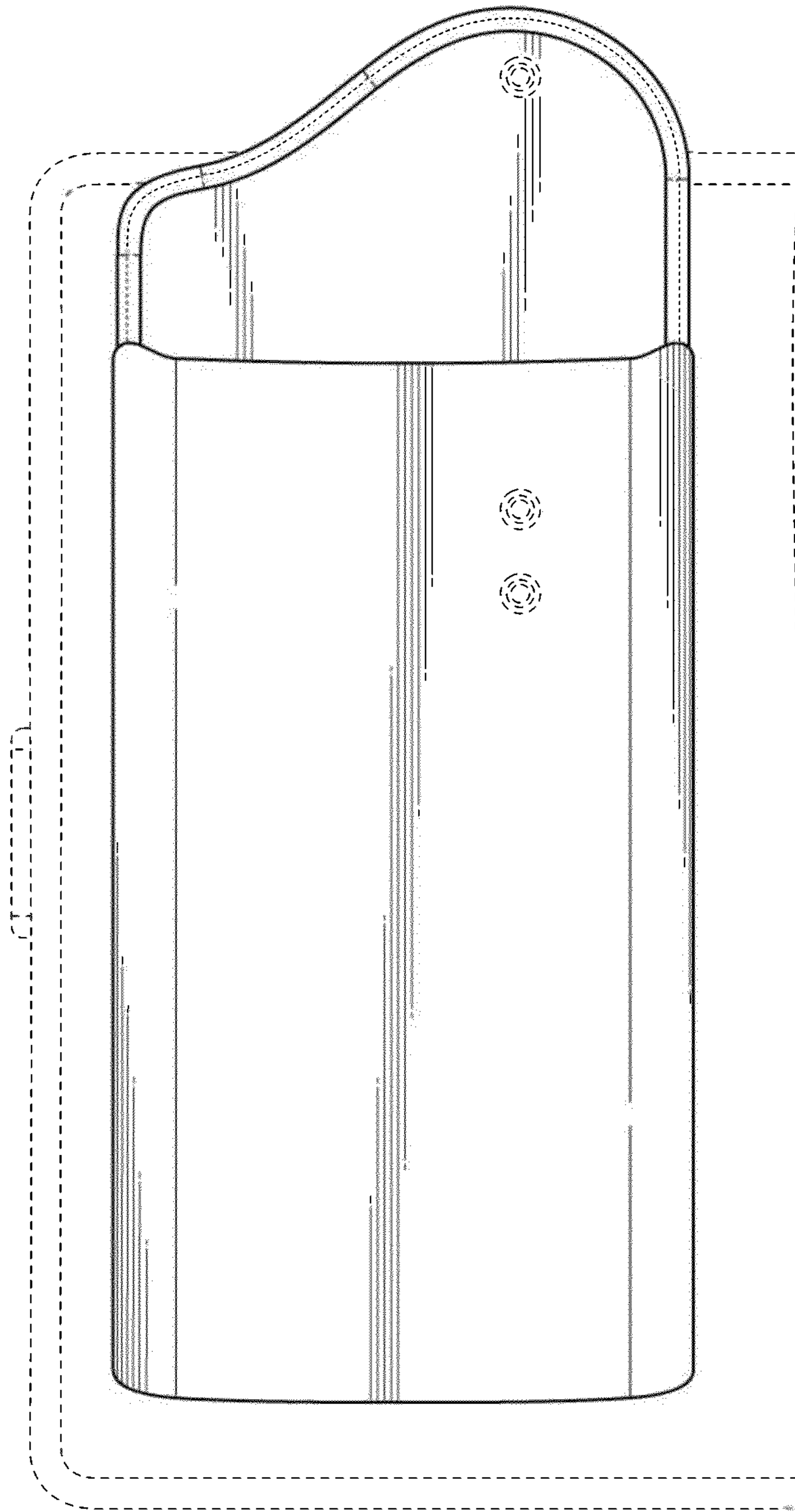


FIG. 2

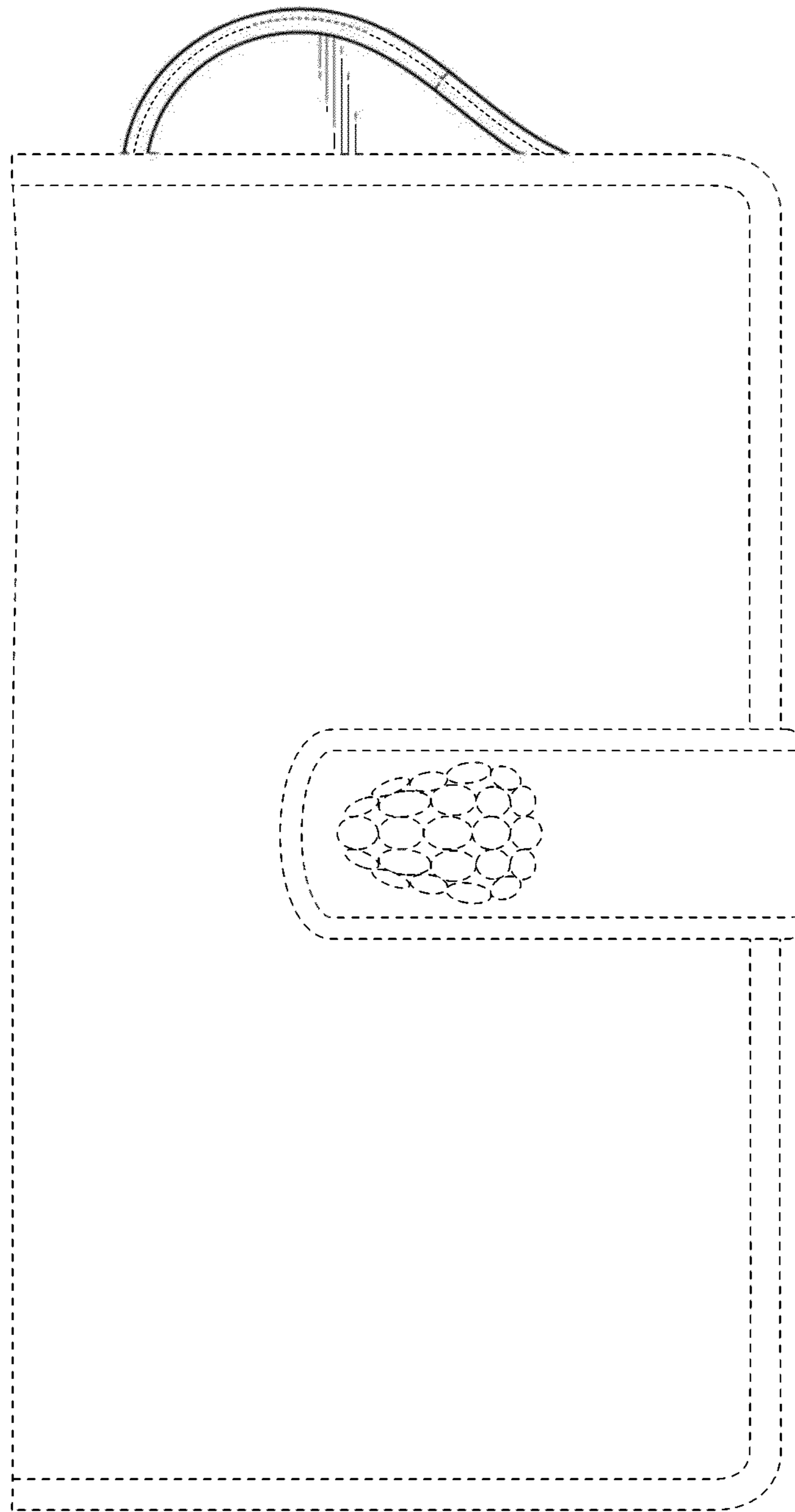


FIG. 3

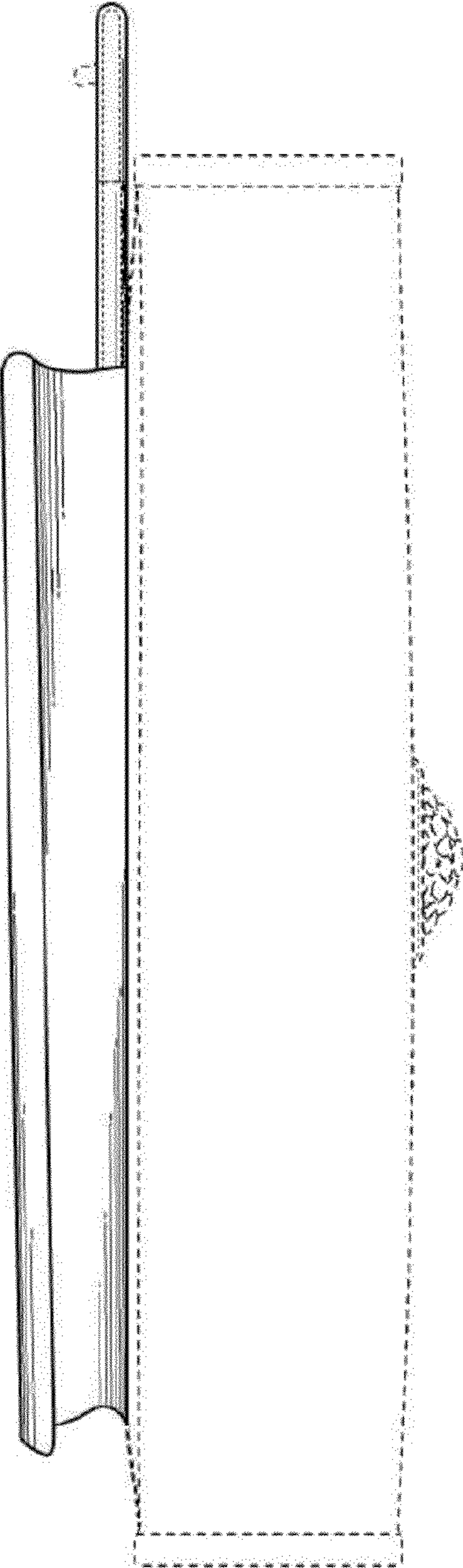


FIG.4

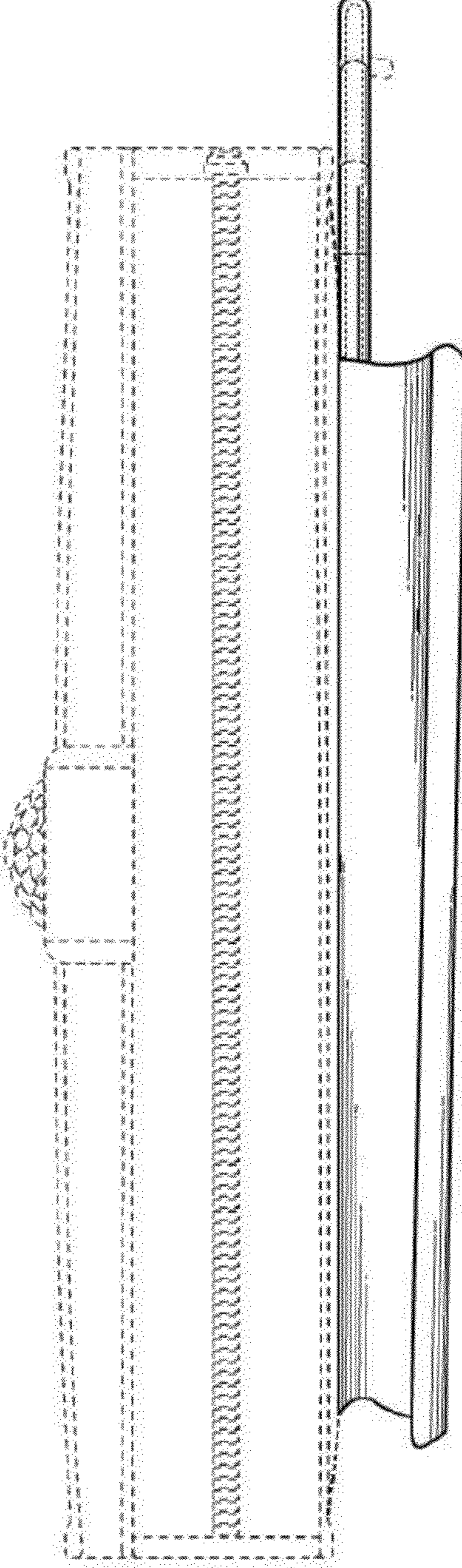


FIG.5

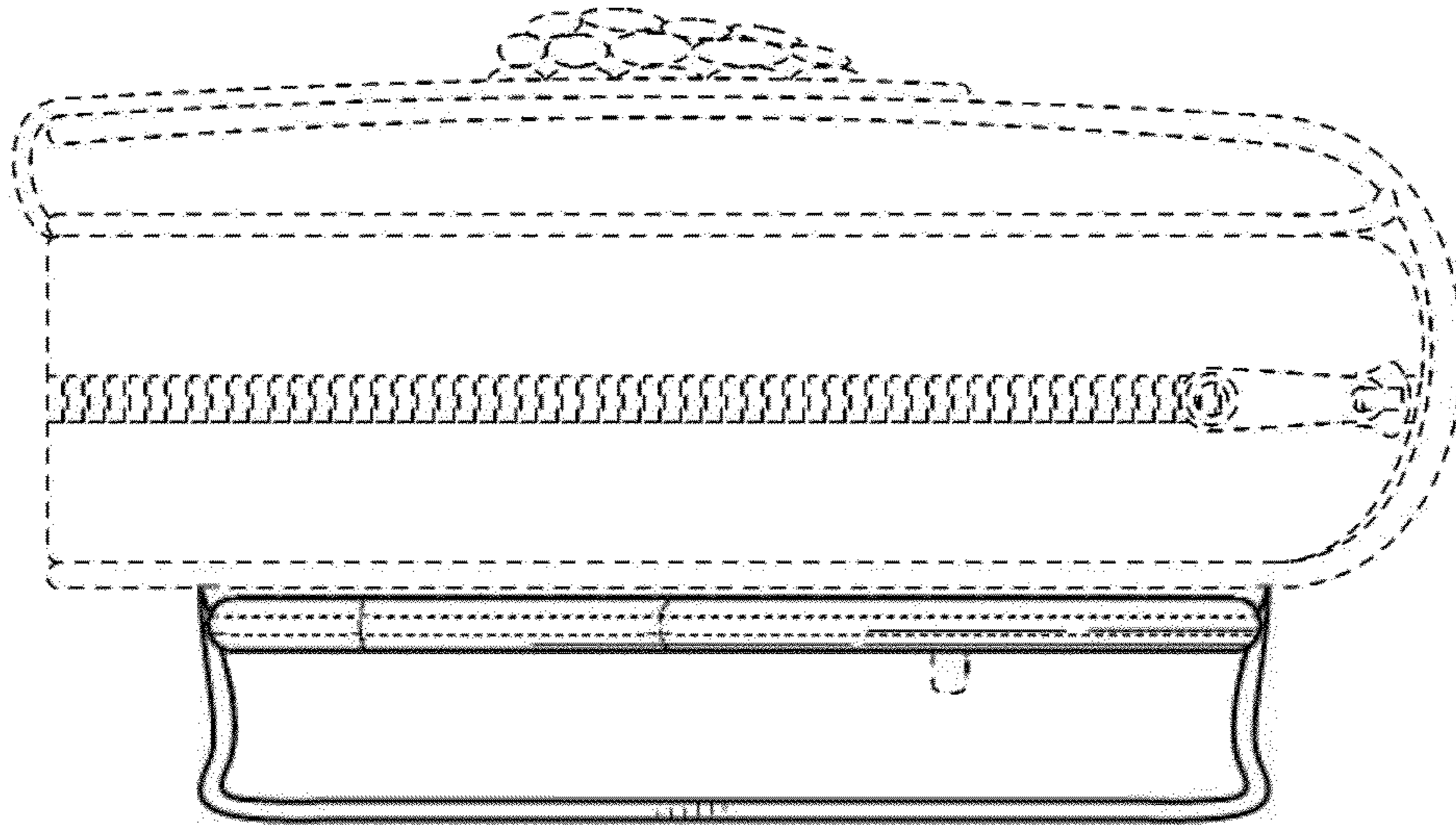


FIG. 6

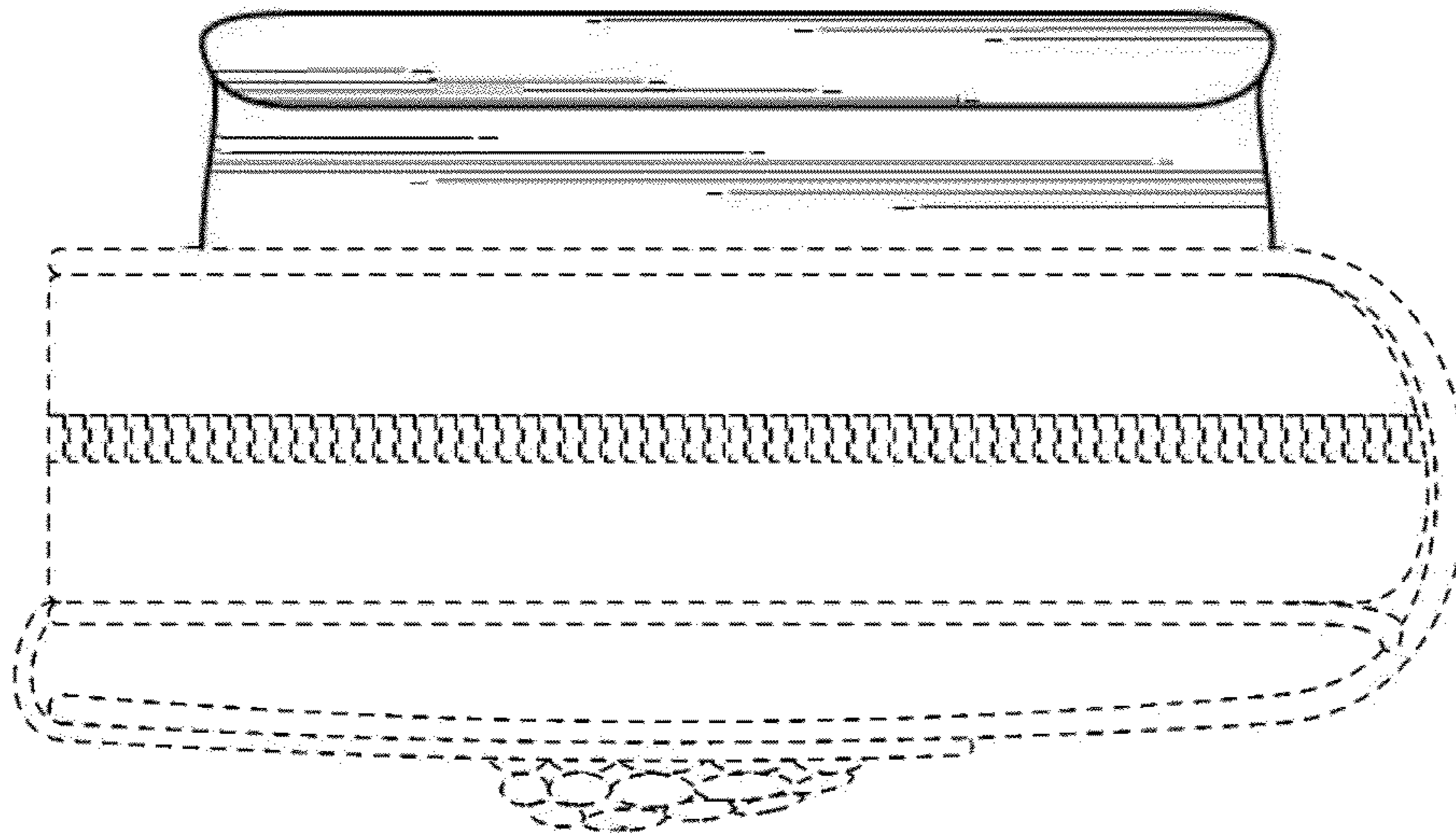


FIG. 7