



US00D722234S

(12) **United States Design Patent**
BenDavid

(10) **Patent No.:** **US D722,234 S**
(45) **Date of Patent:** **** Feb. 10, 2015**

(54) **BACKPACK WITH WINGS**
(71) Applicant: **Sprayground LLC**, New York, NY (US)
(72) Inventor: **David BenDavid**, Teaneck, NJ (US)
(73) Assignee: **Sprayground LLC**, New York, NY (US)
(**) Term: **14 Years**

(21) Appl. No.: **29/447,760**
(22) Filed: **Mar. 6, 2013**
(51) **LOC (10) Cl.** **03-01**
(52) **U.S. Cl.**
USPC **D3/318; D3/223**
(58) **Field of Classification Search**
USPC D3/216, 223, 318; D2/862, 741;
150/100, 103-110, 113-114, 117-119
See application file for complete search history.

(56) **References Cited**

U.S. PATENT DOCUMENTS

D137,674 S *	4/1944	Amspacker	D11/107
5,144,764 A *	9/1992	Peterson	43/3
D351,493 S *	10/1994	DeCinque	D2/741
D438,712 S *	3/2001	Chapman	D3/217
D442,651 S *	5/2001	Johnson	D21/626
D448,923 S *	10/2001	Willingham et al.	D3/216
D453,008 S *	1/2002	Mihail	D11/107

6,343,968 B1 *	2/2002	Louie et al.	446/72
D463,510 S *	9/2002	Weiser et al.	D21/585
D465,249 S *	11/2002	Weiser et al.	D21/606
D527,171 S *	8/2006	Frederick	D2/862
D629,191 S *	12/2010	Ogalde	D3/216
D665,974 S *	8/2012	Monteparo et al.	D2/741
D665,975 S *	8/2012	Monteparo et al.	D2/741
D700,442 S *	3/2014	Oranzo	D5/64
2002/0166881 A1 *	11/2002	Willingham et al.	224/652

* cited by examiner

Primary Examiner — Holly Baynham

(74) *Attorney, Agent, or Firm* — James P. Demers; Demers & Berks LLP

(57) **CLAIM**

The ornamental design for backpack with wings, shown and described in the attached drawings.

DESCRIPTION

FIG. 1 is a perspective view of the design for my decorative wings.

FIG. 2 is a front elevation view of the design.

FIG. 3 is a back elevation view of the design.

FIG. 4 is a right side elevation view of the design.

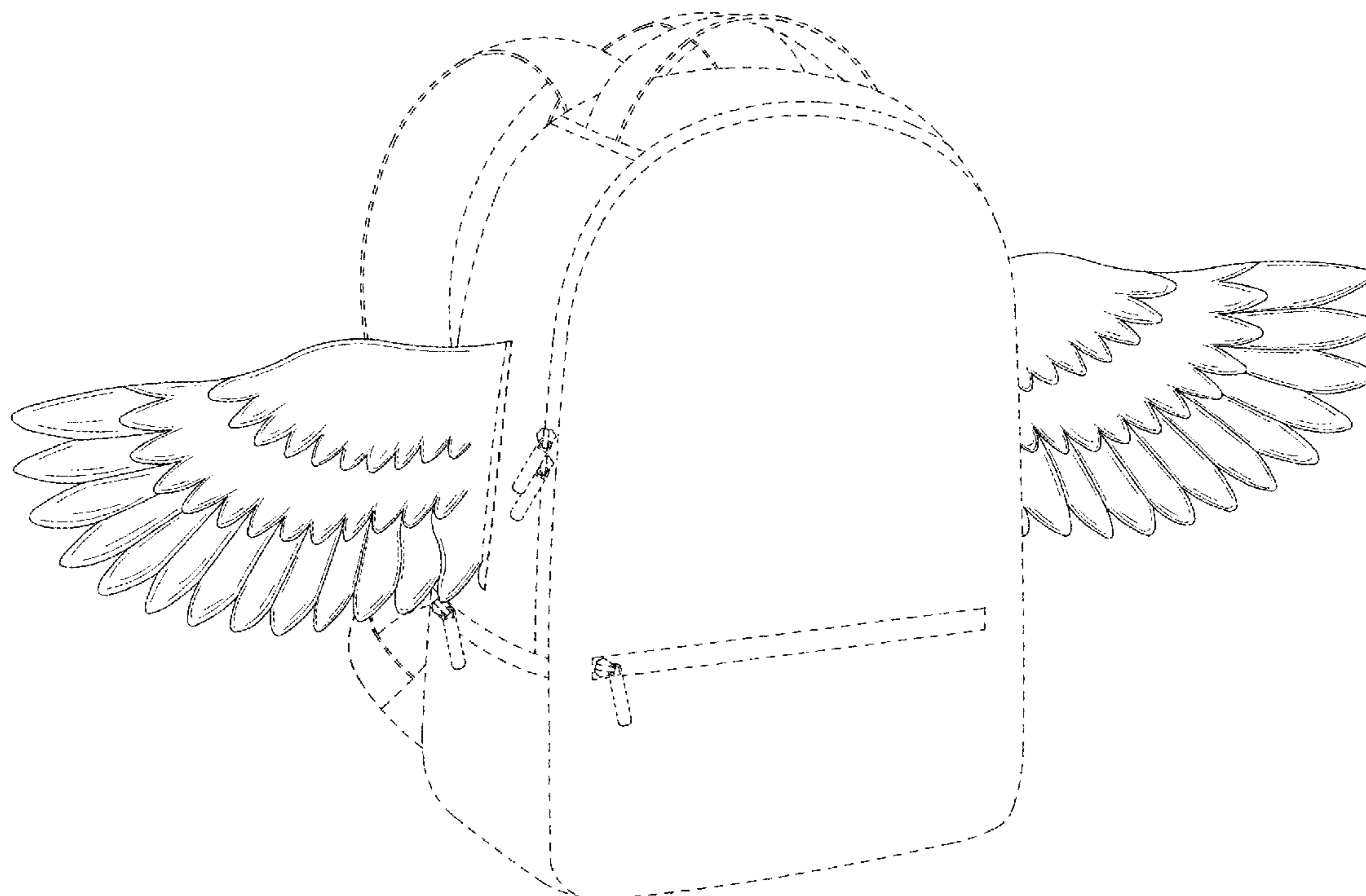
FIG. 5 is a left side elevation view of the design.

FIG. 6 is a top view of the design; and,

FIG. 7 is a bottom view of the design.

The broken lines showing a backpack are for the purposes of illustrating environment and form no part of the claimed design.

1 Claim, 7 Drawing Sheets



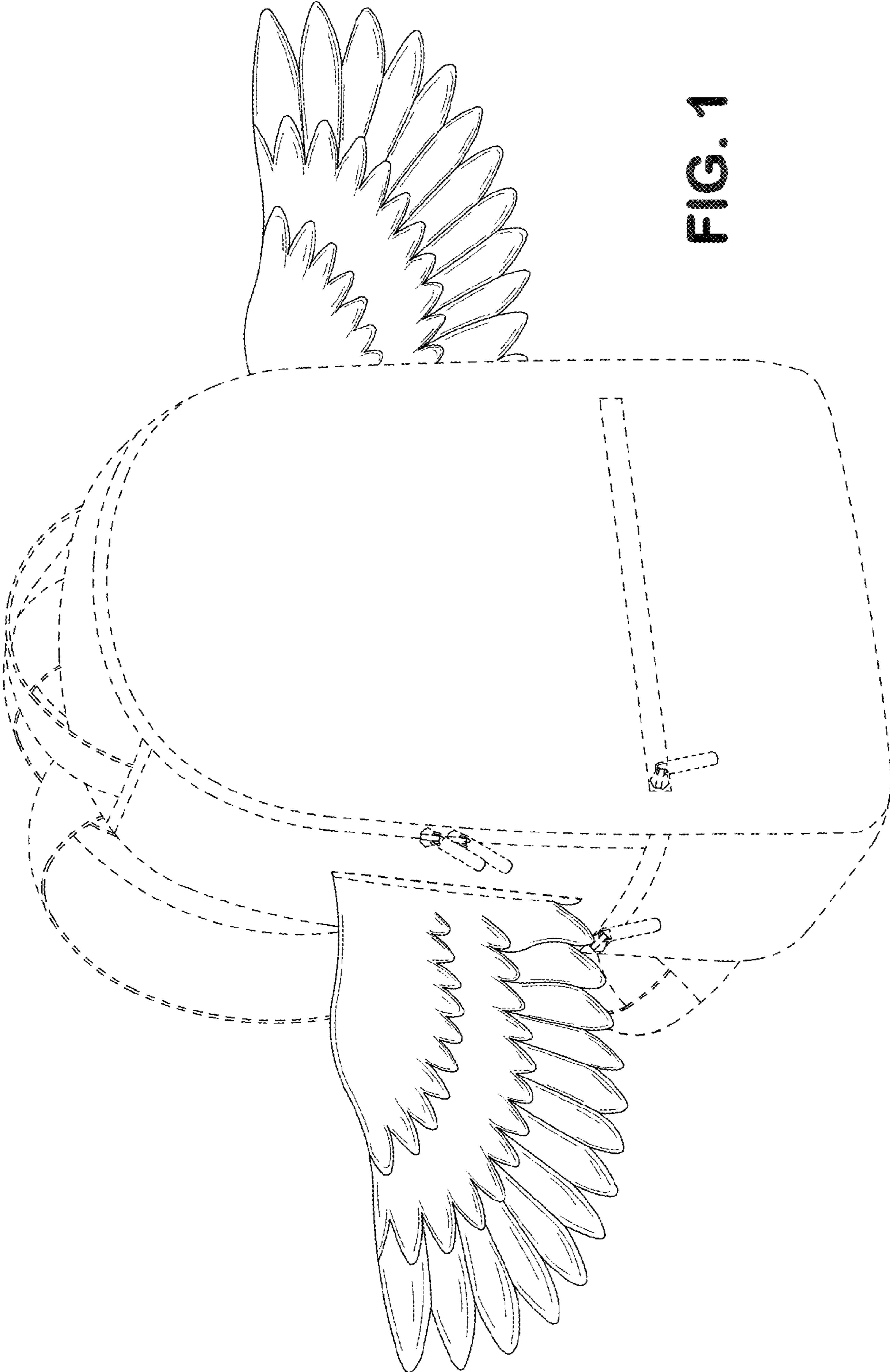


FIG. 1

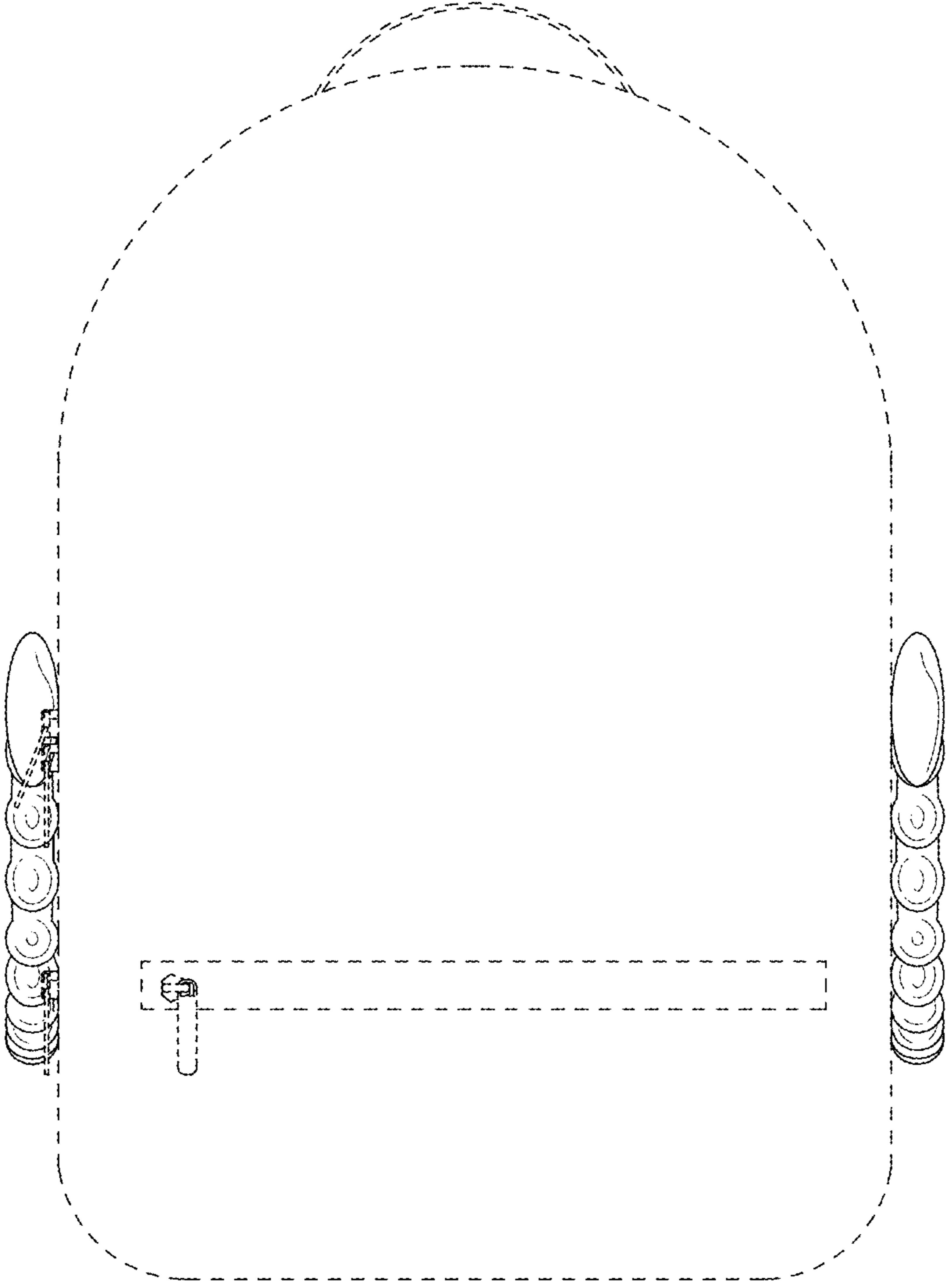


FIG. 2

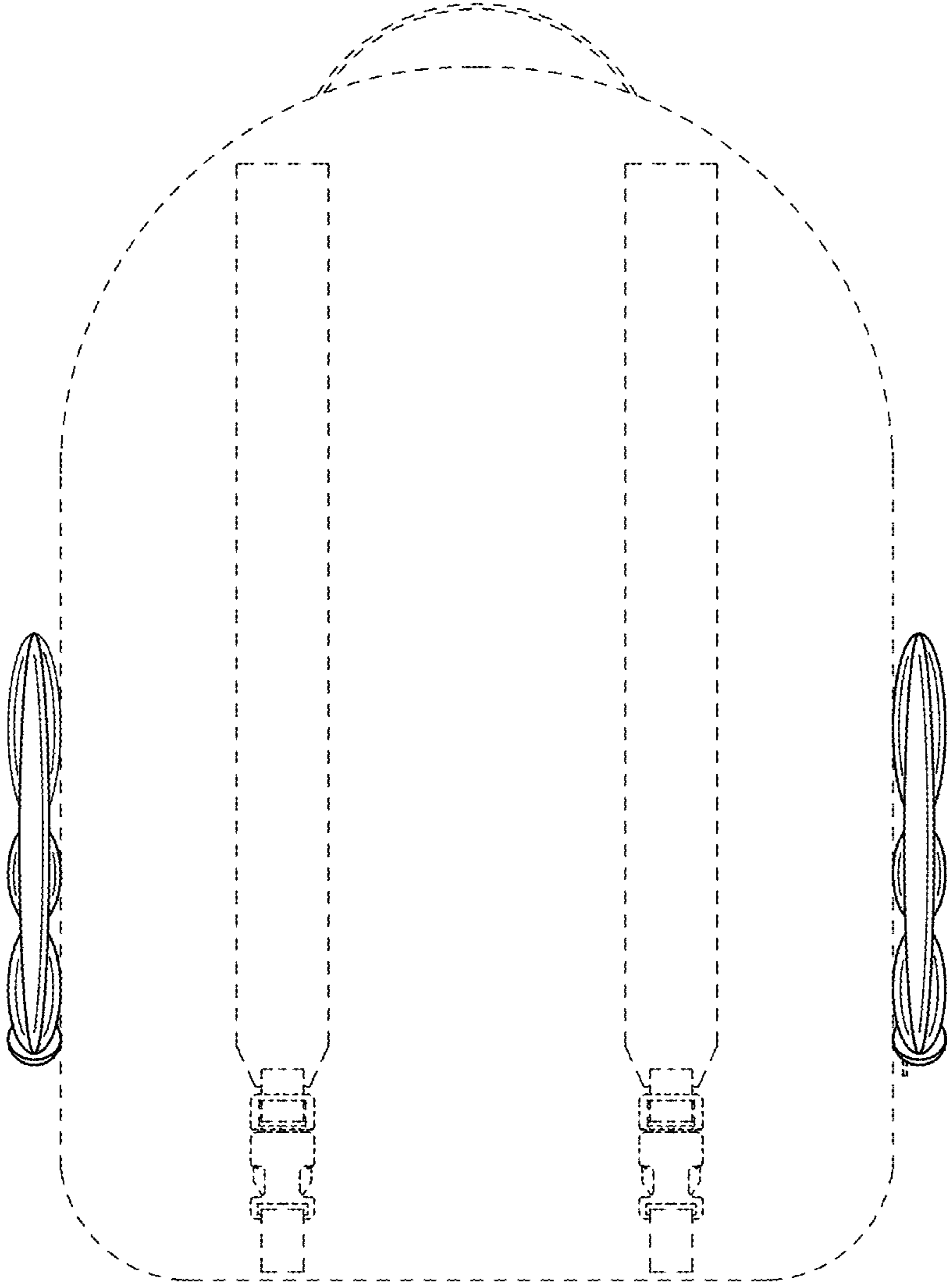


FIG. 3

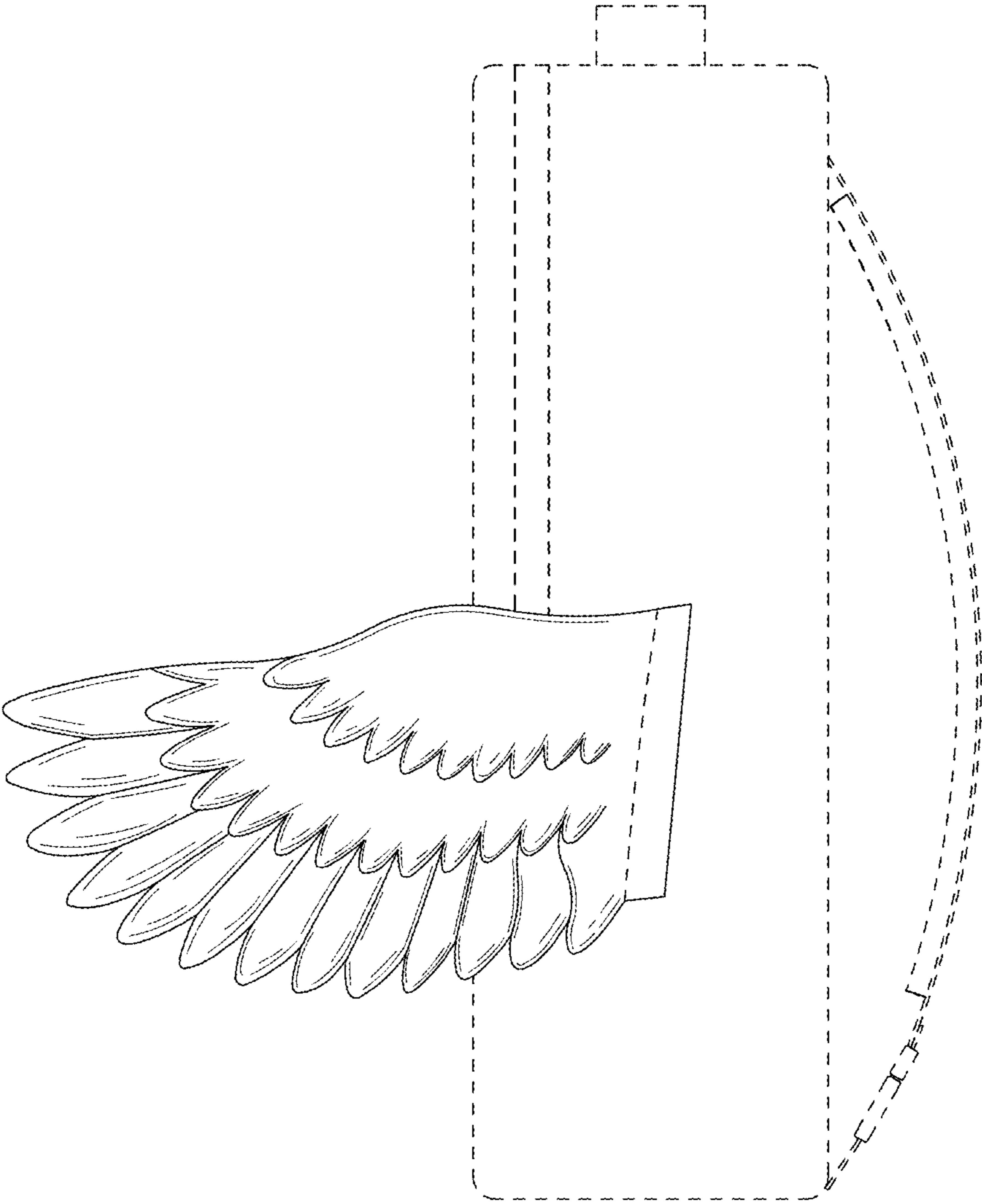


FIG. 4

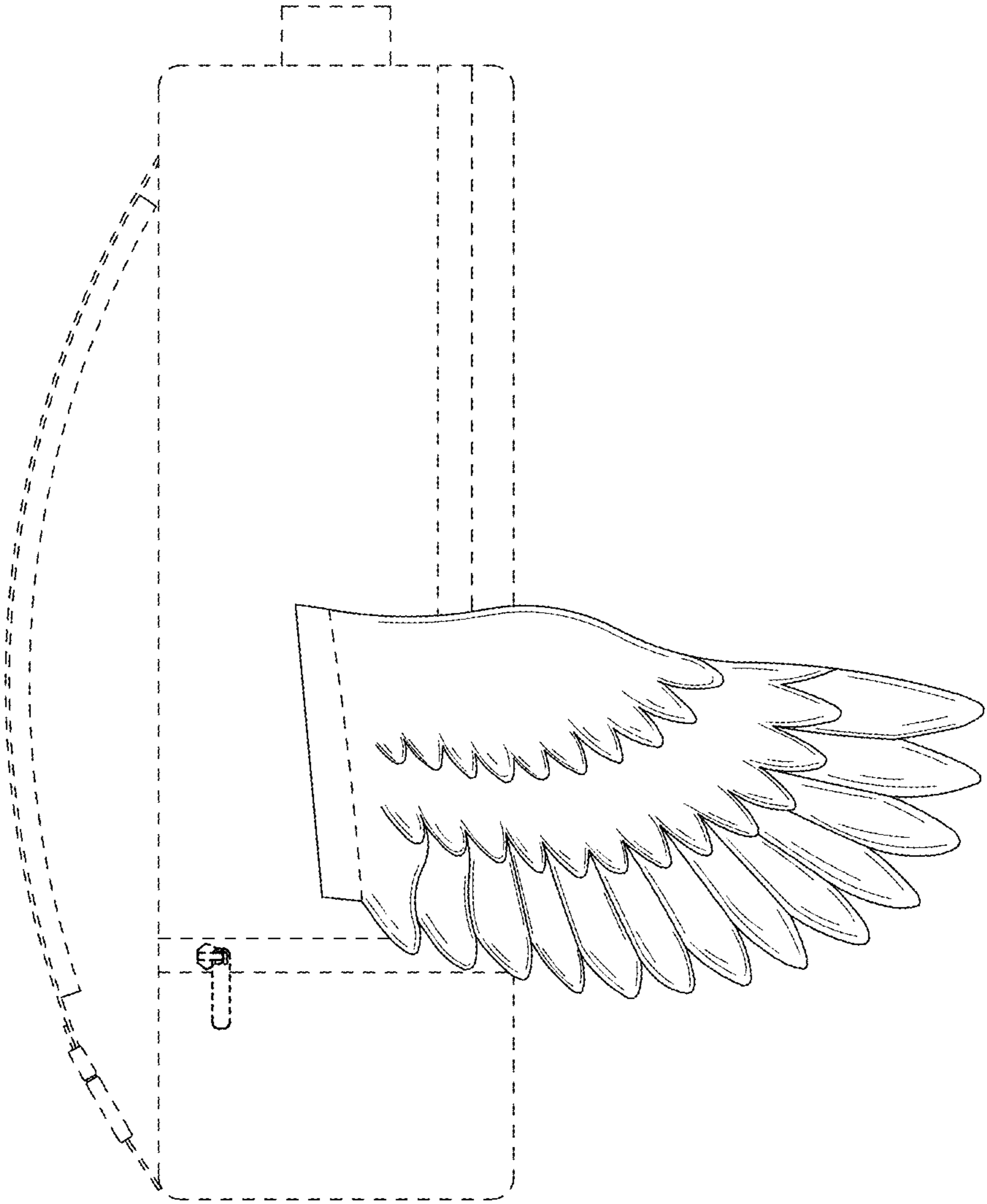


FIG. 5

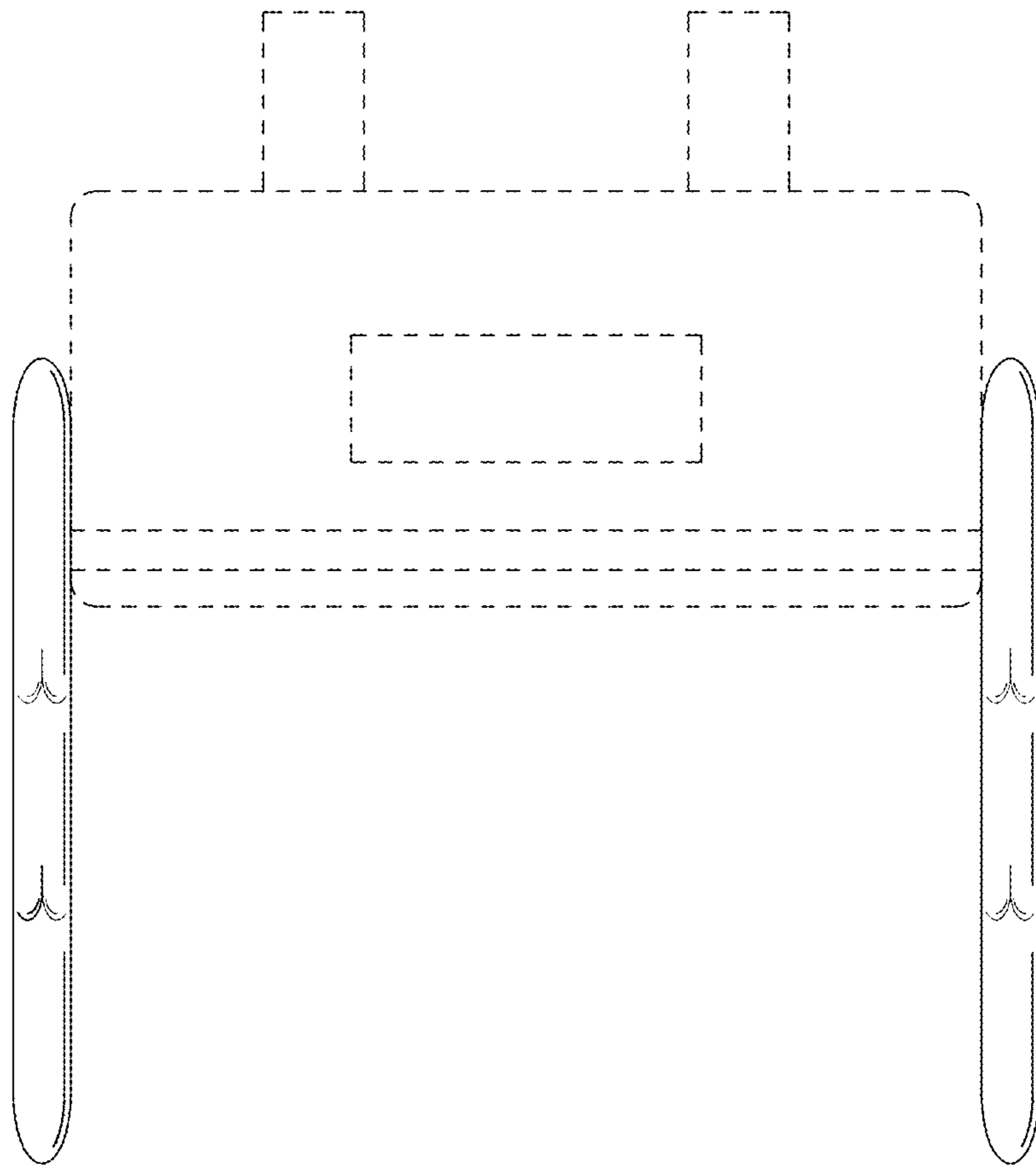


FIG. 6

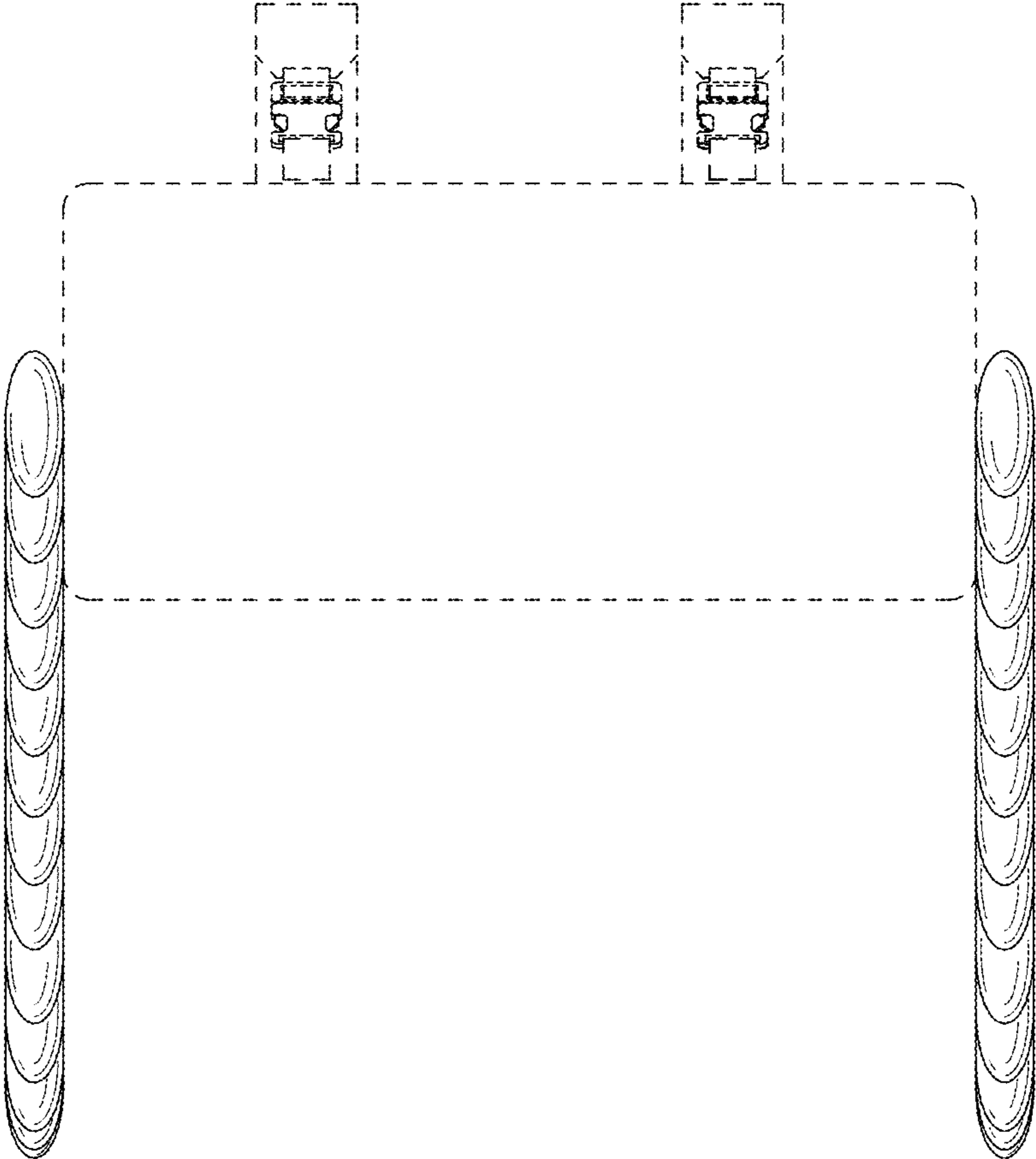


FIG. 7