

US00D722228S

(12) **United States Design Patent**
Zwetzig

(10) **Patent No.:** **US D722,228 S**
(45) **Date of Patent:** **** Feb. 10, 2015**

(54) **SHOULDER BAG**
(71) Applicant: **Thule Organization Solutions, Inc.**,
Longmont, CO (US)
(72) Inventor: **Nathan R. Zwetzig**, Westminster, CO
(US)
(73) Assignee: **Thule Organization Solutions, Inc.**,
Longmont, CO (US)

D550,448 S 9/2007 Boje et al.
D560,069 S 1/2008 Greiner
D561,467 S * 2/2008 Maier D3/232
D561,468 S * 2/2008 Maier D3/232
D567,505 S 4/2008 Le Coq et al.
D604,503 S 11/2009 Patadia et al.
D641,973 S 7/2011 Quehl
7,971,764 B2 7/2011 Sabbah

(Continued)

(**) Term: **14 Years**

GB 2385516 8/2003
GB 2393641 4/2004
WO WO 2004/030490 4/2004

(21) Appl. No.: **29/459,581**

FOREIGN PATENT DOCUMENTS

(22) Filed: **Jul. 1, 2013**

(51) **LOC (10) Cl.** **03-01**

(52) **U.S. Cl.**
USPC **D3/232**

(58) **Field of Classification Search**
CPC A45C 1/024; A45C 3/06
USPC D3/232-233; 150/100, 103-110,
150/113-114, 117-119
See application file for complete search history.

OTHER PUBLICATIONS

U.S. Appl. No. 29/480,877, filed Jan. 30, 2014, Zwetig et al.
(Continued)

Primary Examiner — Holly Baynham
(74) *Attorney, Agent, or Firm* — Sheridan Ross P.C.

(57) **CLAIM**
The ornamental design for a shoulder bag, as shown and described.

(56) **References Cited**

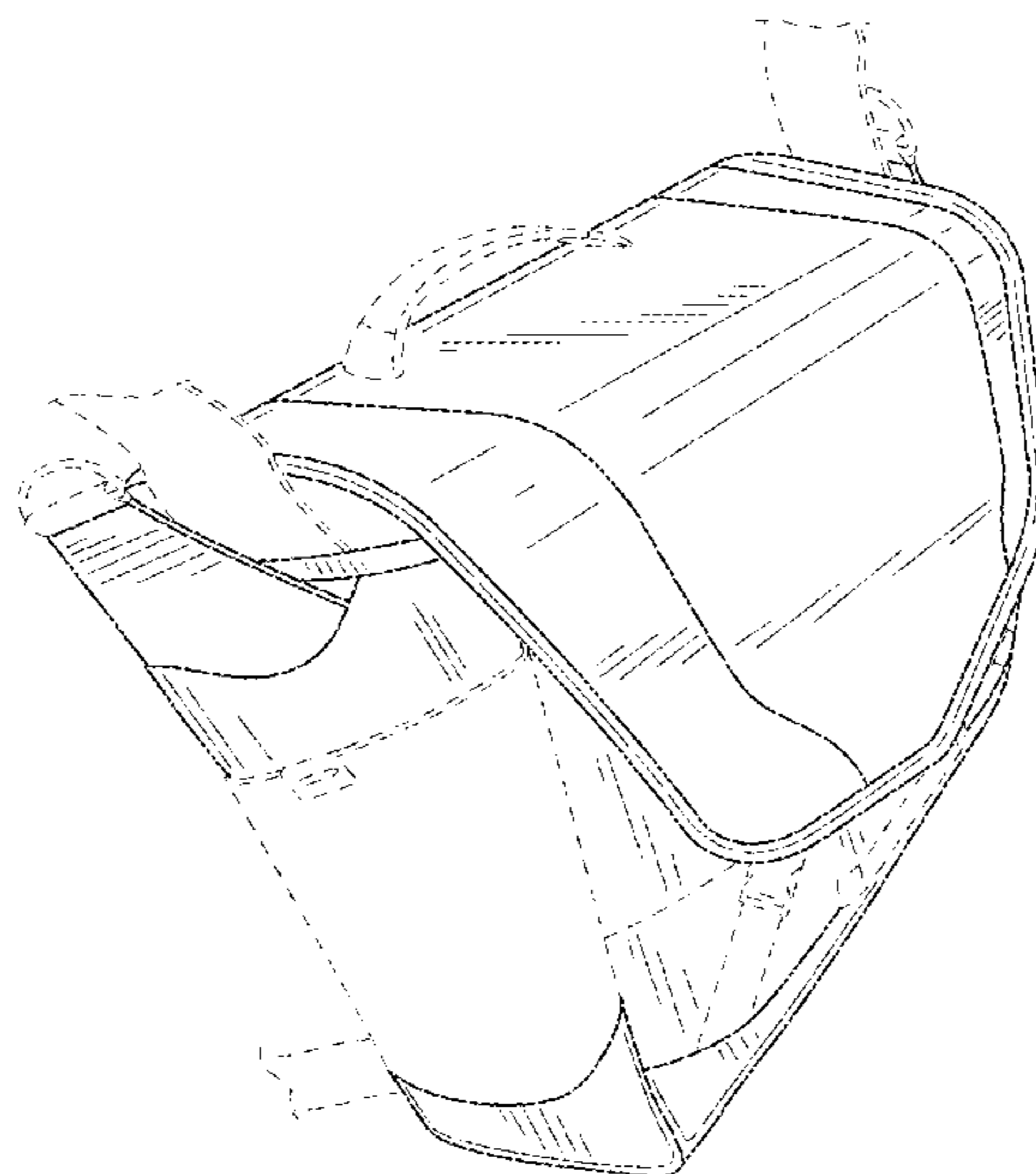
DESCRIPTION

U.S. PATENT DOCUMENTS

1,413,079 A 4/1922 Waid
D197,546 S 2/1964 Motokane
4,018,369 A 4/1977 Jaeger
D249,189 S 8/1978 Stewart
4,318,502 A 3/1982 Lowe et al.
4,368,835 A 1/1983 Murphy
4,420,103 A 12/1983 Douglass
6,164,509 A 12/2000 Gausling et al.
D441,186 S 5/2001 Daboudet
6,243,892 B1 6/2001 Kelling
D451,274 S 12/2001 Kegels
D461,048 S 8/2002 Blanking
D488,926 S 4/2004 Domotor
D510,660 S 10/2005 Suppangig
D511,620 S 11/2005 Van Himbeeck

FIG. 1 is a front perspective view of the shoulder bag;
FIG. 2 is a front elevation view thereof;
FIG. 3 is a rear elevation view thereof;
FIG. 4 is a right elevation view thereof;
FIG. 5 is a left elevation view thereof;
FIG. 6 is a top plan view thereof;
FIG. 7 is a bottom plan view thereof; and,
FIG. 8 is a front perspective view of the shoulder bag in an open position.
The broken lines showing a shoulder bag are included for the purpose of illustrating environment and form no part of the claimed design.

1 Claim, 5 Drawing Sheets



(56)

References Cited

U.S. PATENT DOCUMENTS

D642,791	S	8/2011	Quehl
D651,794	S	1/2012	Hargens et al.
8,123,581	B2	2/2012	Aschauer
D655,082	S	3/2012	LaCorte
D657,140	S	4/2012	Guyon et al.
8,157,138	B2	4/2012	Leyendecker
2006/0083445	A1	4/2006	Billingham
2008/0029562	A1	2/2008	Hawkins et al.

OTHER PUBLICATIONS

U.S. Appl. No. 14/149,662, filed Jan. 7, 2014, Zwetzig.

Notice of Allowance for U.S. Appl. No. 29/441,556, mailed Feb. 14, 2014 9 pages.

U.S. Appl. No. 29/441,556, filed Jan. 7, 2013, Zwetzig.

Notice of Allowance for U.S. Appl. No. 29/432,006 mailed Dec. 20, 2013, 10 pages.

Official Action for U.S. Appl. No. 29/441,556 mailed Oct. 1, 2013, 9 pages.

U.S. Appl. No. 29/432,002, filed Sep. 12, 2012, Taylor.

U.S. Appl. No. 29/432,004, filed Sep. 12, 2012, Taylor.

U.S. Appl. No. 29/432,006, filed Sep. 12, 2012, Taylor.

U.S. Appl. No. 29/441,555, filed Jan. 7, 2013, Zwetzig.

U.S. Appl. No. 29/458,160, filed Jun. 17, 2013, Mather.

U.S. Appl. No. 29/458,162, filed Jun. 17, 2013, Mather.

U.S. Appl. No. 29/458,164, filed Jun. 17, 2013, Mather.

* cited by examiner

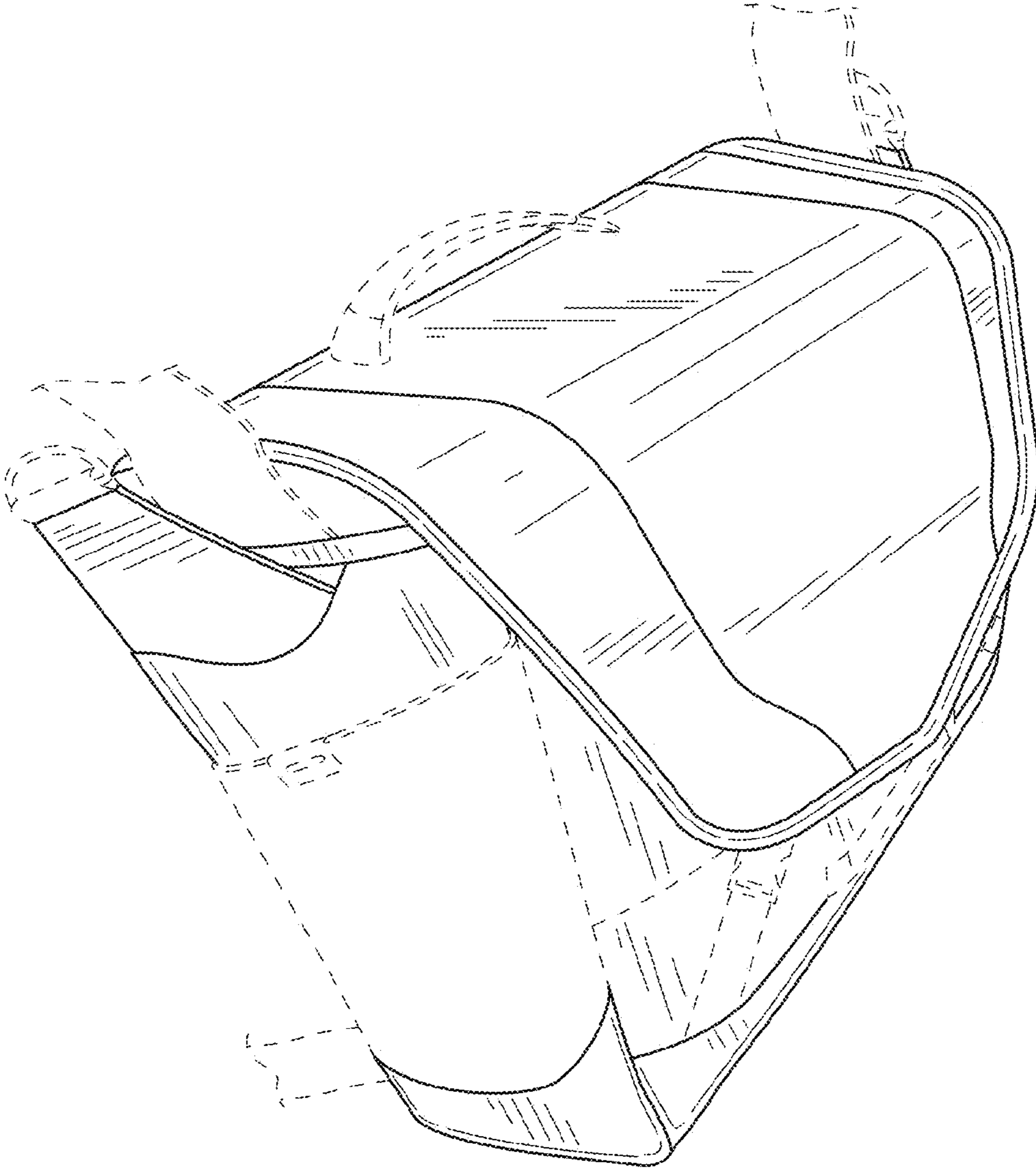


FIG.1

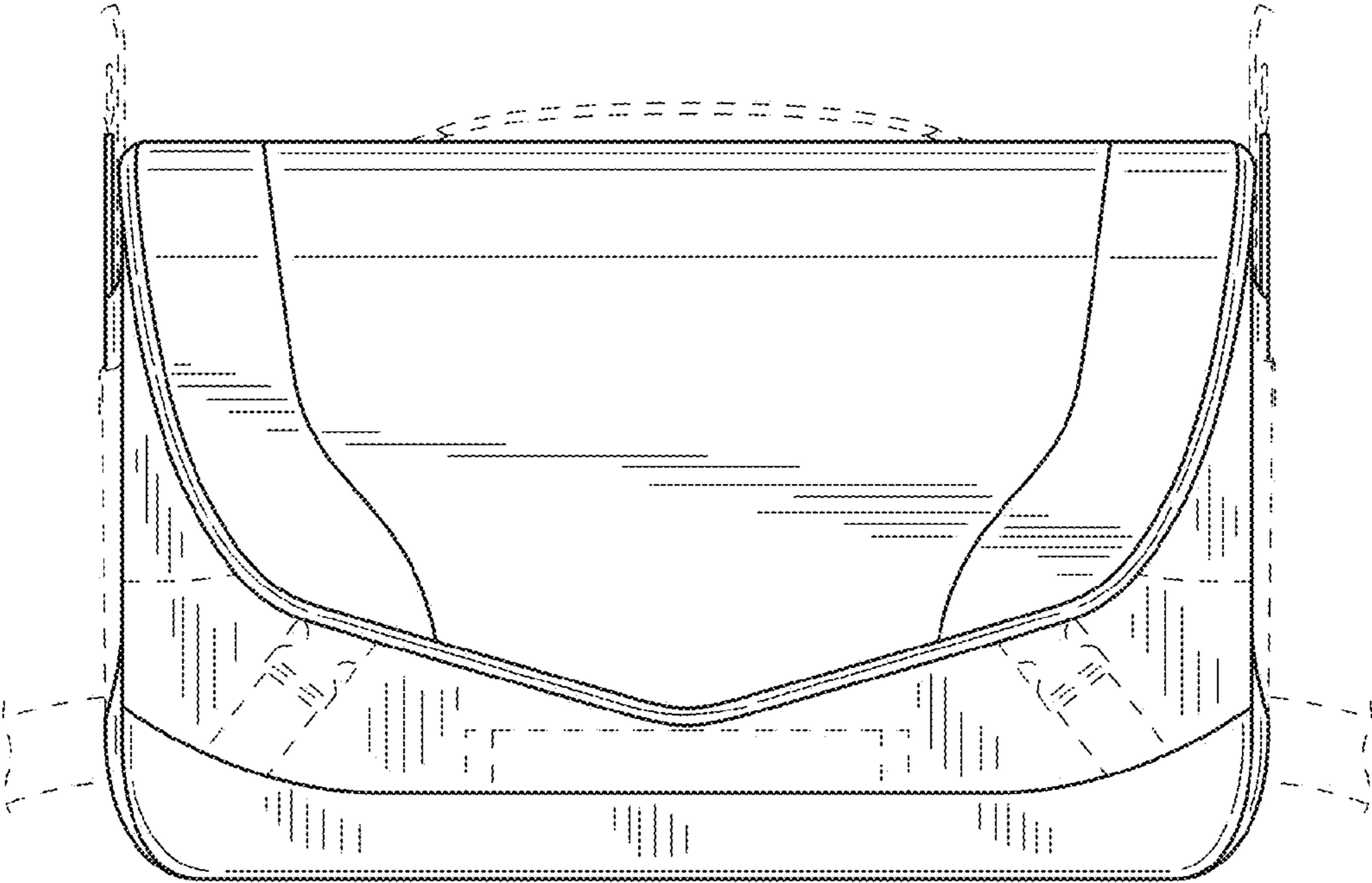


FIG. 2

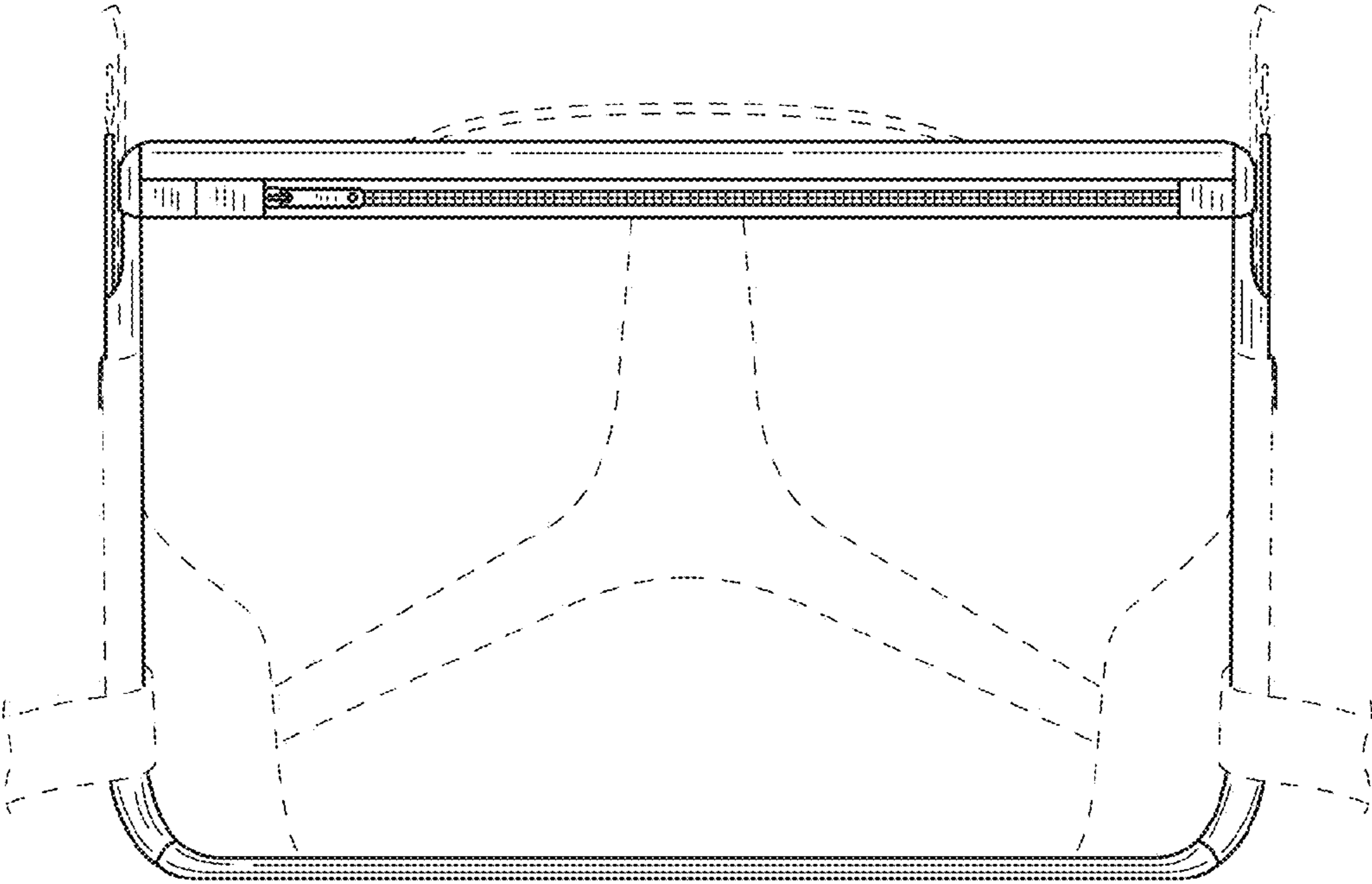


FIG. 3

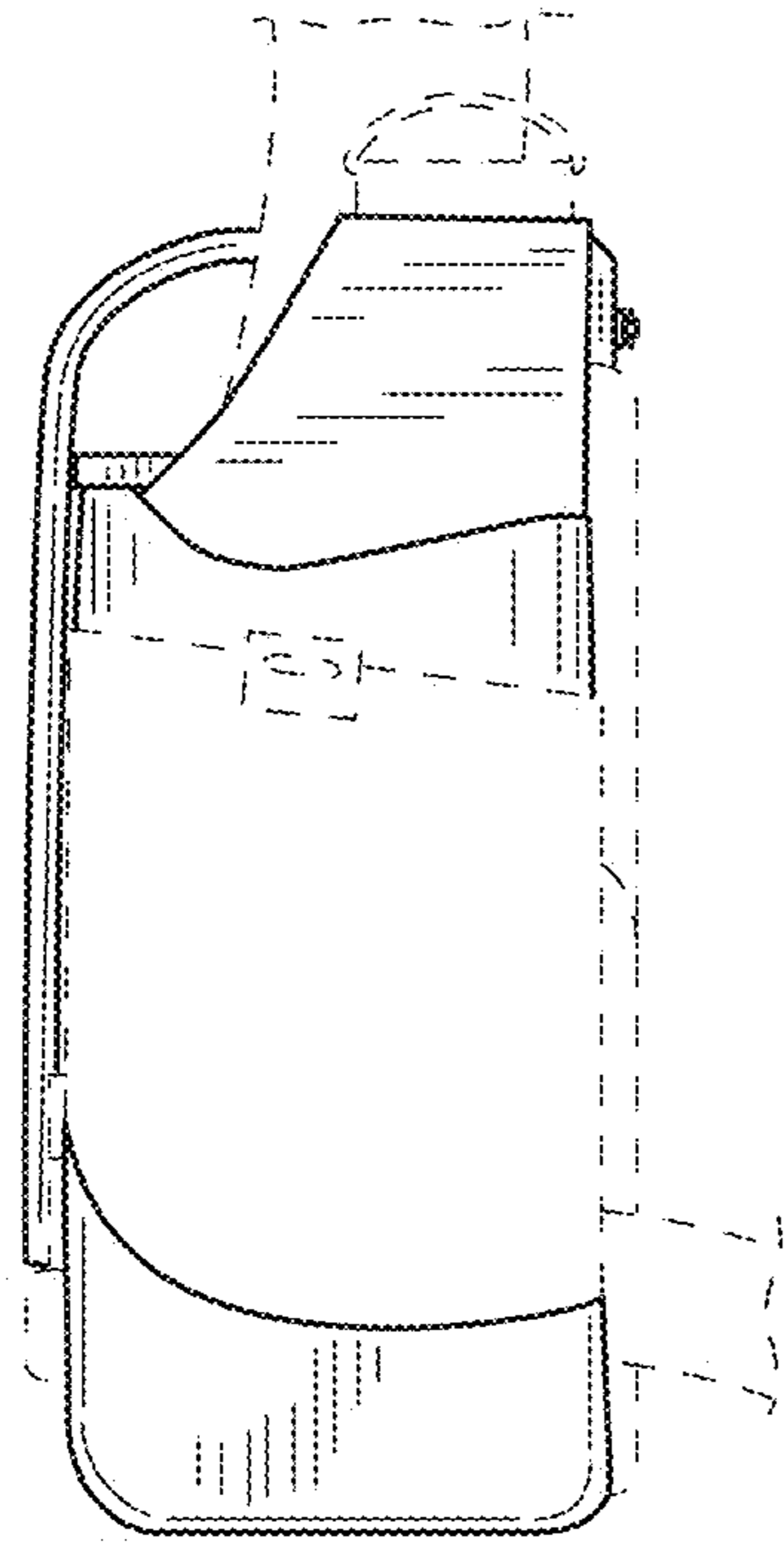


FIG. 4

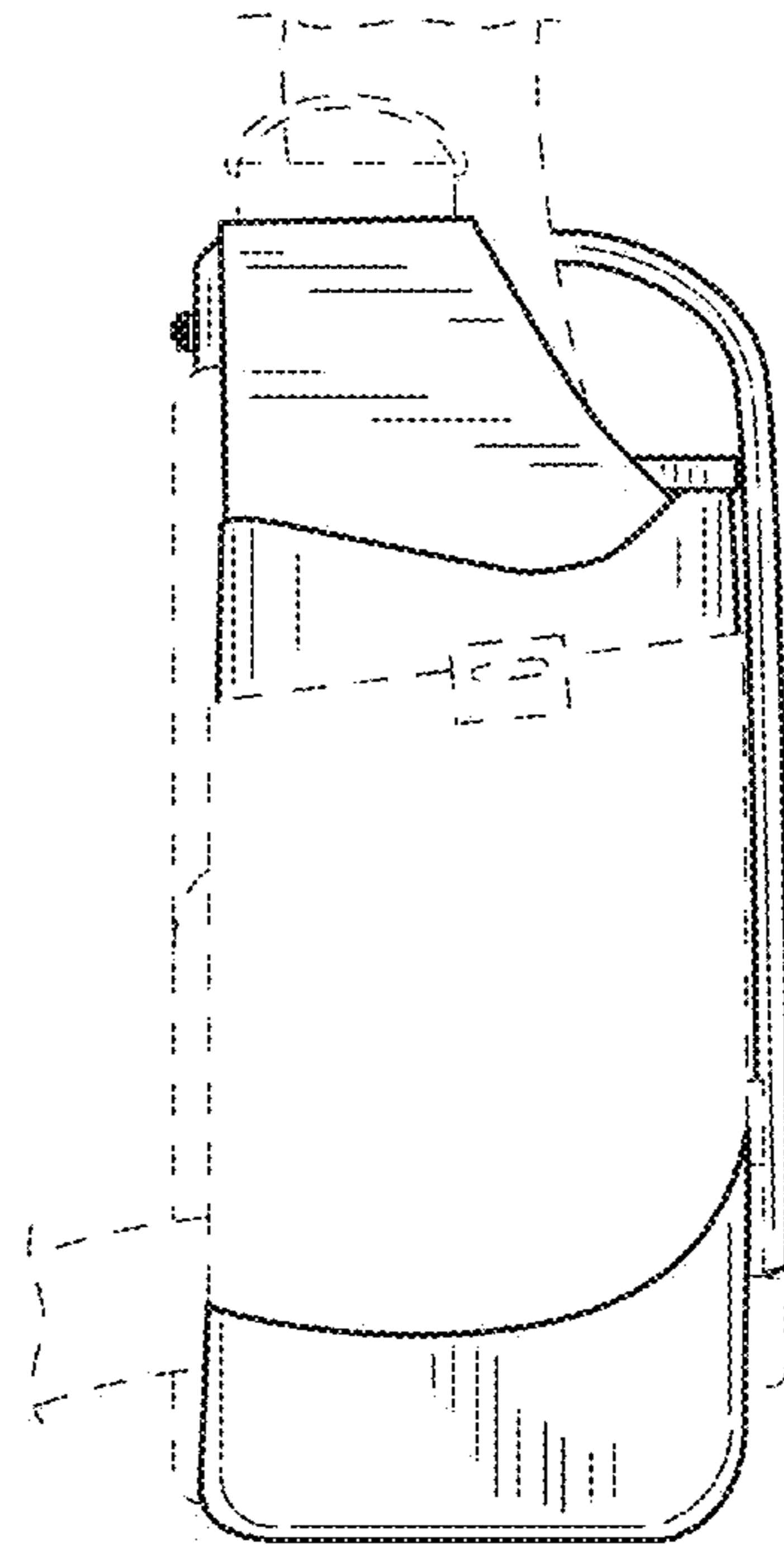


FIG. 5

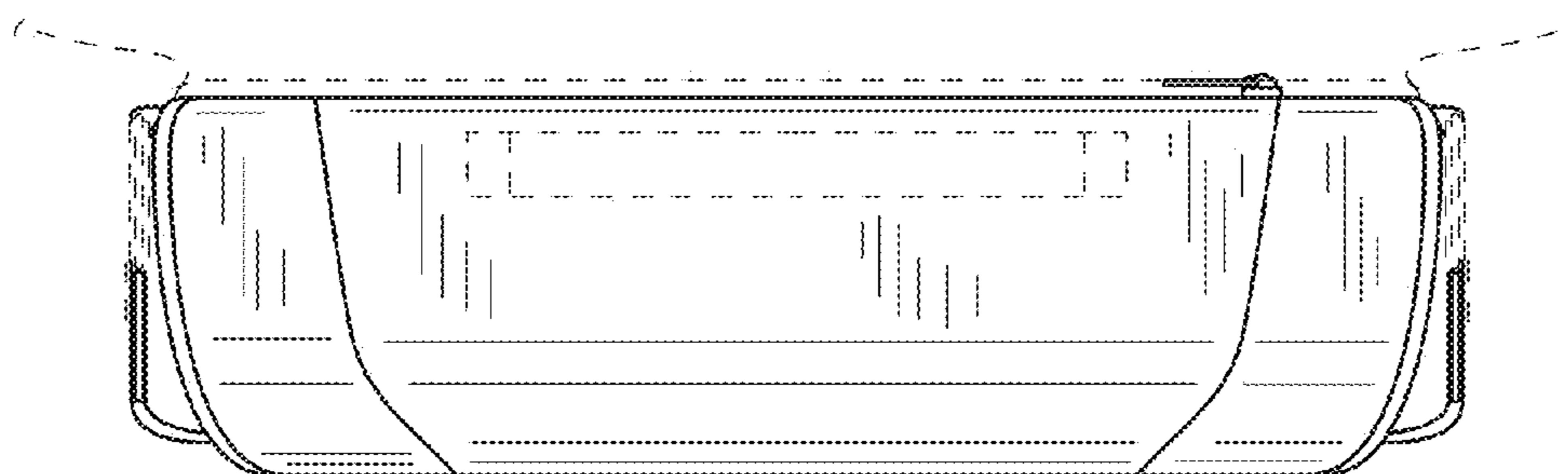


FIG. 6

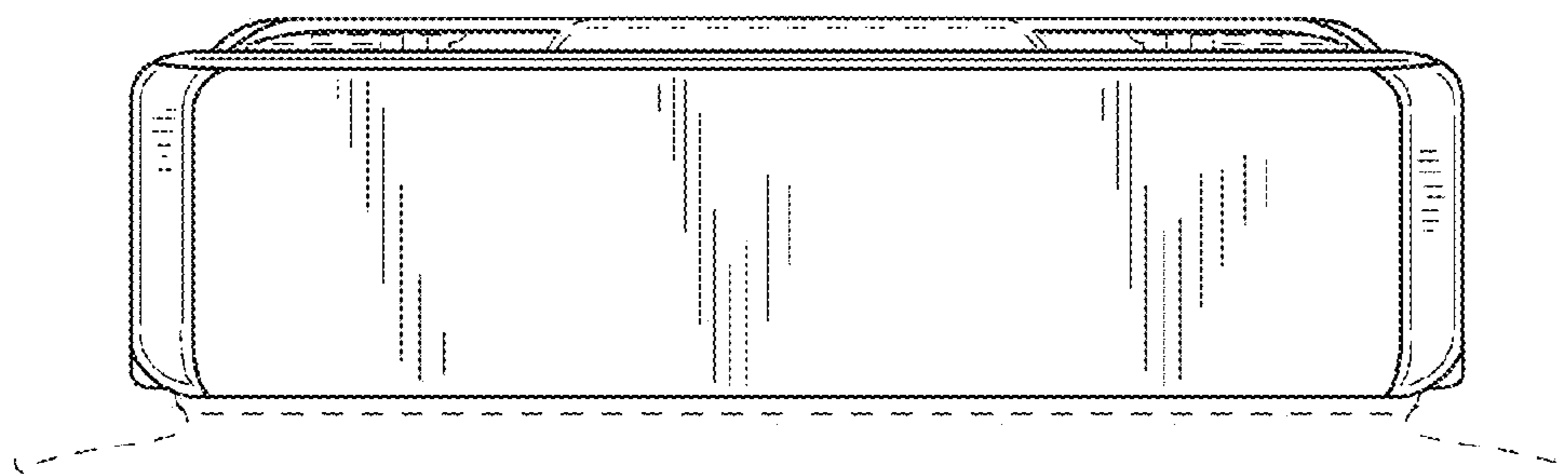


FIG. 7

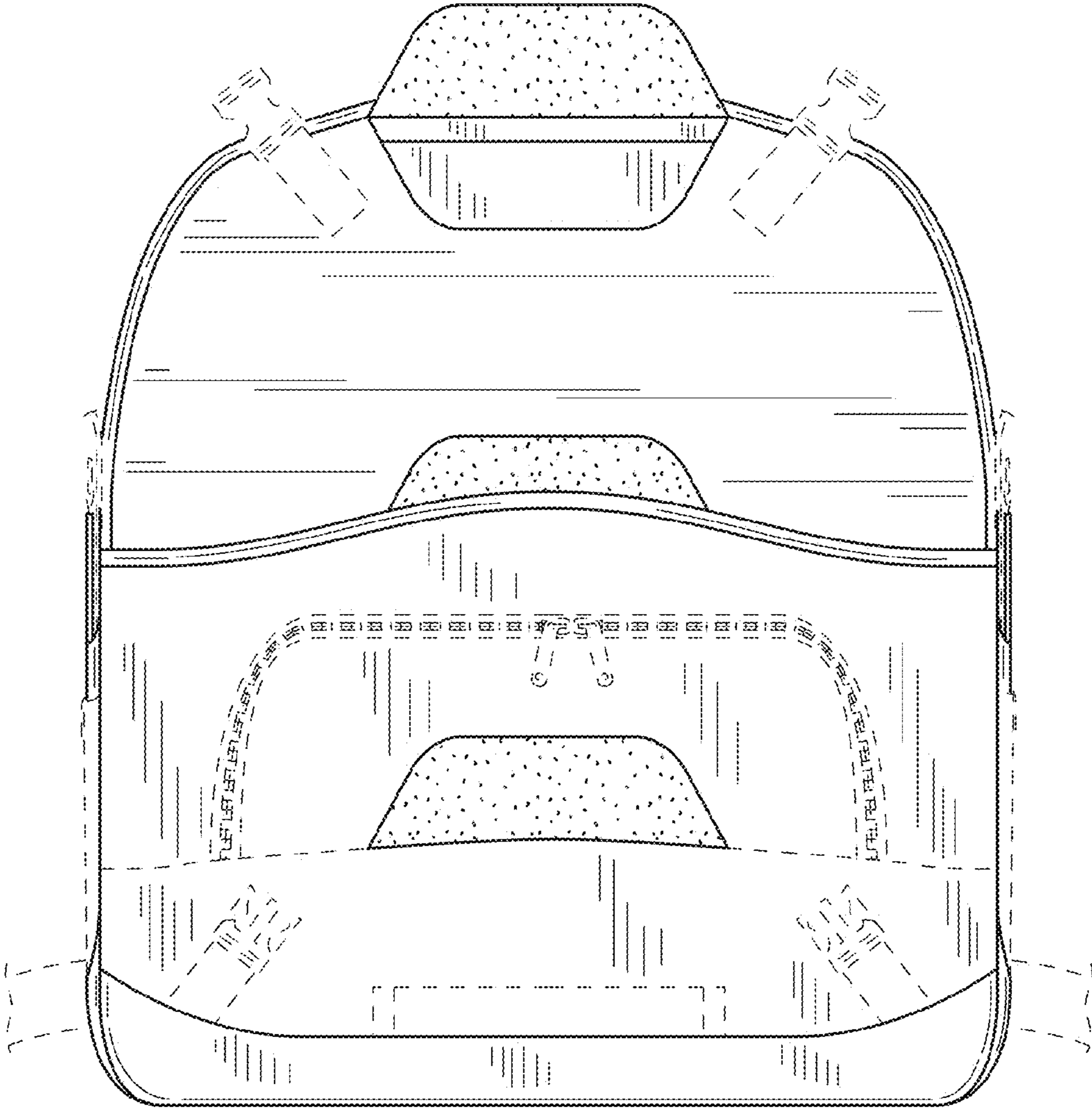


FIG.8