



US00D722216S

(12) **United States Design Patent**  
**Sterling et al.**

(10) **Patent No.:** **US D722,216 S**  
(45) **Date of Patent:** **\*\* Feb. 10, 2015**

(54) **PADDED PANT UNDERGARMENT WITH  
REMOVABLE PADS SET**

(71) Applicants: **John L. Sterling**, Coon Valley, WI (US);  
**Jean M. Sterling**, Coon Valley, WI (US)

(72) Inventors: **John L. Sterling**, Coon Valley, WI (US);  
**Jean M. Sterling**, Coon Valley, WI (US)

(\*\*) Term: **14 Years**

(21) Appl. No.: **29/432,505**

(22) Filed: **Sep. 17, 2012**

(51) **LOC (10) Cl.** ..... **02-02**

(52) **U.S. Cl.**  
USPC ..... **D2/712; D2/732**

(58) **Field of Classification Search**  
CPC ..... A41B 9/00; A41B 9/001; A41B 9/02;  
A41B 9/04; A41B 9/002; A41B 9/004;  
A41B 9/005; A41B 9/007; A41B 9/008;  
A41B 9/023; A41B 9/026; A41B 9/12;  
A41B 2300/00; A41B 2400/52; A61F 13/15;  
A61F 13/496; A41D 1/00; A41D 1/08;  
A41D 1/082; A41D 1/084; A41D 1/086;  
A41D 1/088; A41D 7/00; A41D 13/0015;  
A41D 13/012; A41D 13/015; A41D 13/0537;  
A41D 13/0587; A41D 2600/104; A41D 13/05;  
A41D 1/06  
USPC ..... 604/385.24, 385.25, 396; 2/2.5, 22, 23,  
2/67, 76, 78.1, 78.2, 78.3, 78.4, 79, 81,  
2/82, 109, 227, 400, 401, 402, 403, 404,  
2/405, 455, 464, 465, 466, 467, 238, 228,  
2/250, 267; D29/101.5; D2/700, 701,  
D2/711, 712, 713, 716, 731, 732, 737, 738,  
D2/742, 744, 747, 748, 853, 902, 903,  
D2/904; D24/122, 124, 127; 450/97, 153  
See application file for complete search history.

(56) **References Cited**

**U.S. PATENT DOCUMENTS**

1,366,809 A \* 1/1921 Kenrick ..... 2/227  
2,280,017 A \* 4/1942 Wilker et al. .... 2/227

2,306,514 A \* 12/1942 Wilker et al. .... 2/227  
2,753,567 A \* 7/1956 Brice ..... 2/227  
5,033,123 A \* 7/1991 Audet ..... 2/227  
5,038,408 A \* 8/1991 DeBaene ..... 2/23  
5,134,726 A \* 8/1992 Ross ..... 2/465  
D343,496 S \* 1/1994 Spoor et al. .... D2/747  
5,497,511 A \* 3/1996 Zade ..... 2/22  
6,041,437 A \* 3/2000 Barker et al. .... 2/82  
6,874,168 B1 4/2005 Kuhuski  
7,062,789 B1 6/2006 Blackwell  
D602,229 S \* 10/2009 Clement ..... D2/742  
7,651,016 B2 1/2010 Stewart  
D609,430 S \* 2/2010 Clement ..... D2/742  
D633,688 S \* 3/2011 Turner ..... D2/712  
8,146,176 B2 \* 4/2012 Rudolph ..... 2/227  
D688,032 S \* 8/2013 Harte et al. .... D2/742  
8,707,468 B2 \* 4/2014 Reynolds et al. .... 2/227  
D707,921 S \* 7/2014 Tanaka et al. .... D2/742  
2003/0167557 A1 \* 9/2003 LaShoto et al. .... 2/228  
2005/0106997 A1 5/2005 Smith  
2006/0179545 A1 \* 8/2006 Arensdorf et al. .... 2/227  
2009/0013451 A1 \* 1/2009 Baxter et al. .... 2/455

**OTHER PUBLICATIONS**

Crash Pads 2200 Thermal Long Underwear [online]. Crash Pads/All Sport Protection [retrieved on Sep. 10, 2014]. Retrieved from the internet:<[http://www.allsportprotection.com/...\\_p/2200.htm?gclid=Cj0KEQjw7b-gBRC45uLY\\_avSrdgBEiQAD3Olx2merO90UiHvvGCRR30rWYR\\_d6Vfg9G4UH1QegZ2-O8aAiby8P8HAQ](http://www.allsportprotection.com/..._p/2200.htm?gclid=Cj0KEQjw7b-gBRC45uLY_avSrdgBEiQAD3Olx2merO90UiHvvGCRR30rWYR_d6Vfg9G4UH1QegZ2-O8aAiby8P8HAQ)>.\*  
Force Flex X D30 Long Padded Snowboard Pants [online]. Demon. [retrieved on Sep. 10, 2014] Retrieved from the internet:<[http://www.ebay.co.uk/itm/DEMON-Flex-Force-X-D30-Long-Padded-Snowboard-Pants-Hips-Bum-Knee-Protection-/221309875768?pt=UK\\_Protective\\_Equipment&var=&hash=item338718b638](http://www.ebay.co.uk/itm/DEMON-Flex-Force-X-D30-Long-Padded-Snowboard-Pants-Hips-Bum-Knee-Protection-/221309875768?pt=UK_Protective_Equipment&var=&hash=item338718b638)>.\*  
camet.com screen shot of web page dated Oct. 20, 2010.  
crash-pads.com screen shot of web page dated Oct. 28, 2010.  
store.mossoak.com screen shot of web page dated Oct. 28, 2010.  
skwoosh.com screen shot of web page dated Oct. 28, 2010.

\* cited by examiner

*Primary Examiner* — Mary Ann Calabrese

*Assistant Examiner* — Jennifer L Rempfer

(74) *Attorney, Agent, or Firm* — Skinner and Associates;  
Joel Skinner



(57)

**CLAIM**

We claim the ornamental design for a padded pant undergarment with removable pads set, as shown and described.

**DESCRIPTION**

FIG. 1 is a perspective view of the removable pad portion of a padded pant undergarment.

FIG. 2 is a front view thereof.

FIG. 3 is a side view thereof, the opposite side being a mirror image thereof.

FIG. 4 is a top view thereof.

FIG. 5 is a bottom view thereof.

FIG. 6 is a perspective view of an alternate perforated removable pad portion of a padded pant undergarment.

FIG. 7 is a front view of the design of FIG. 6, the side, top and bottom thereof being identical to FIGS. 3, 4 and 5.

FIG. 8 is a perspective view of the design of a padded pant undergarment with a pad inserted.

FIG. 9 is a front view of the design of FIG. 8.

FIG. 10 is a side view thereof, the opposite side being a mirror image thereof.

FIG. 11 is a back view thereof.

FIG. 12 is a top view thereof; and,

FIG. 13 is a bottom view thereof.

The broken lines in FIG. 8 illustrate environmental subject matter of the claim in use and form no part of the claimed design. All other broken lines form no part of the claimed design.

The design is for a padded pant undergarment with removable pads set which is worn by a person under outer pants, for cold weather activities such as hunters sitting in tree stands and spectators at outdoor football games.

**1 Claim, 7 Drawing Sheets**

FIG. 1

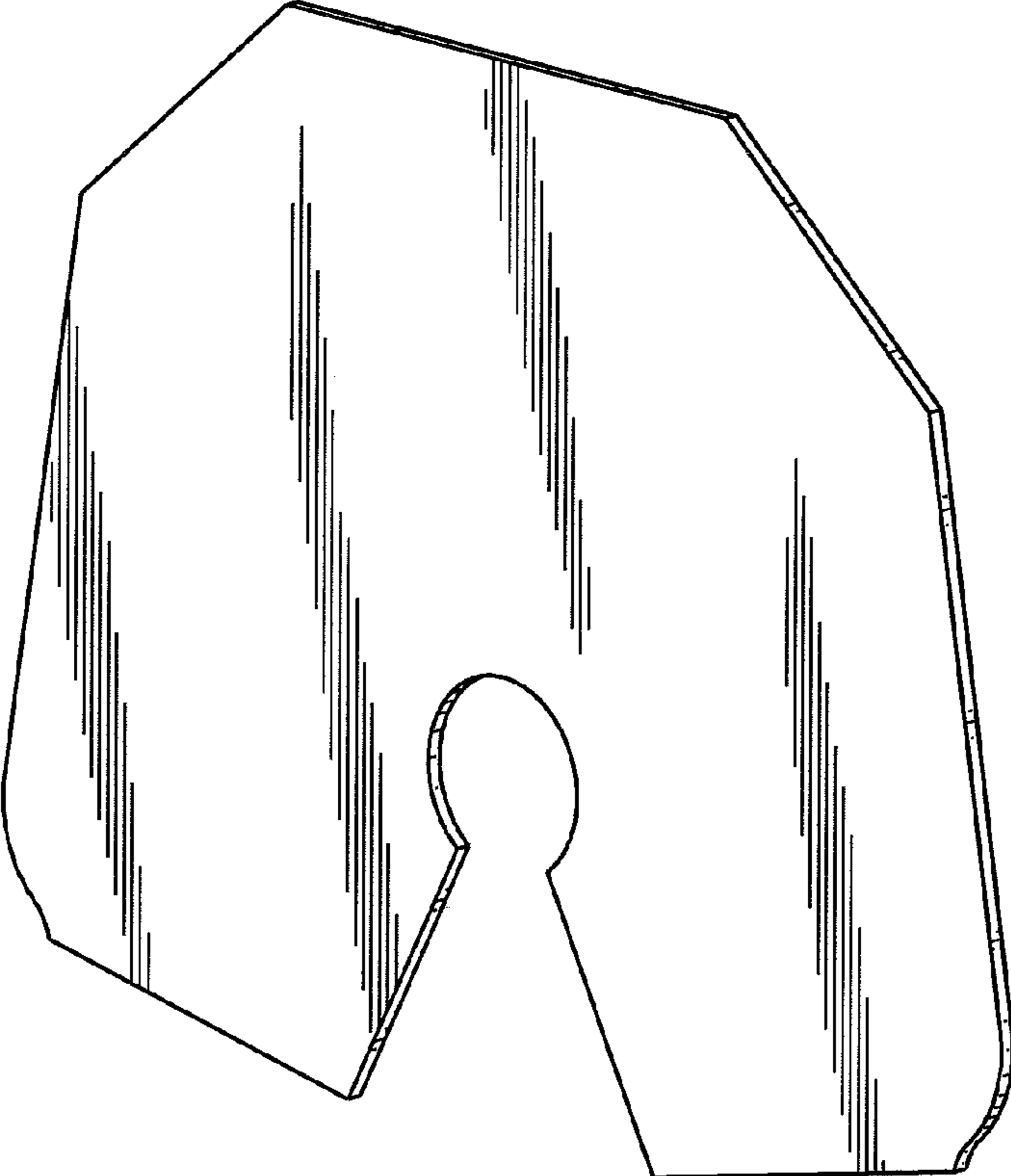


FIG. 2

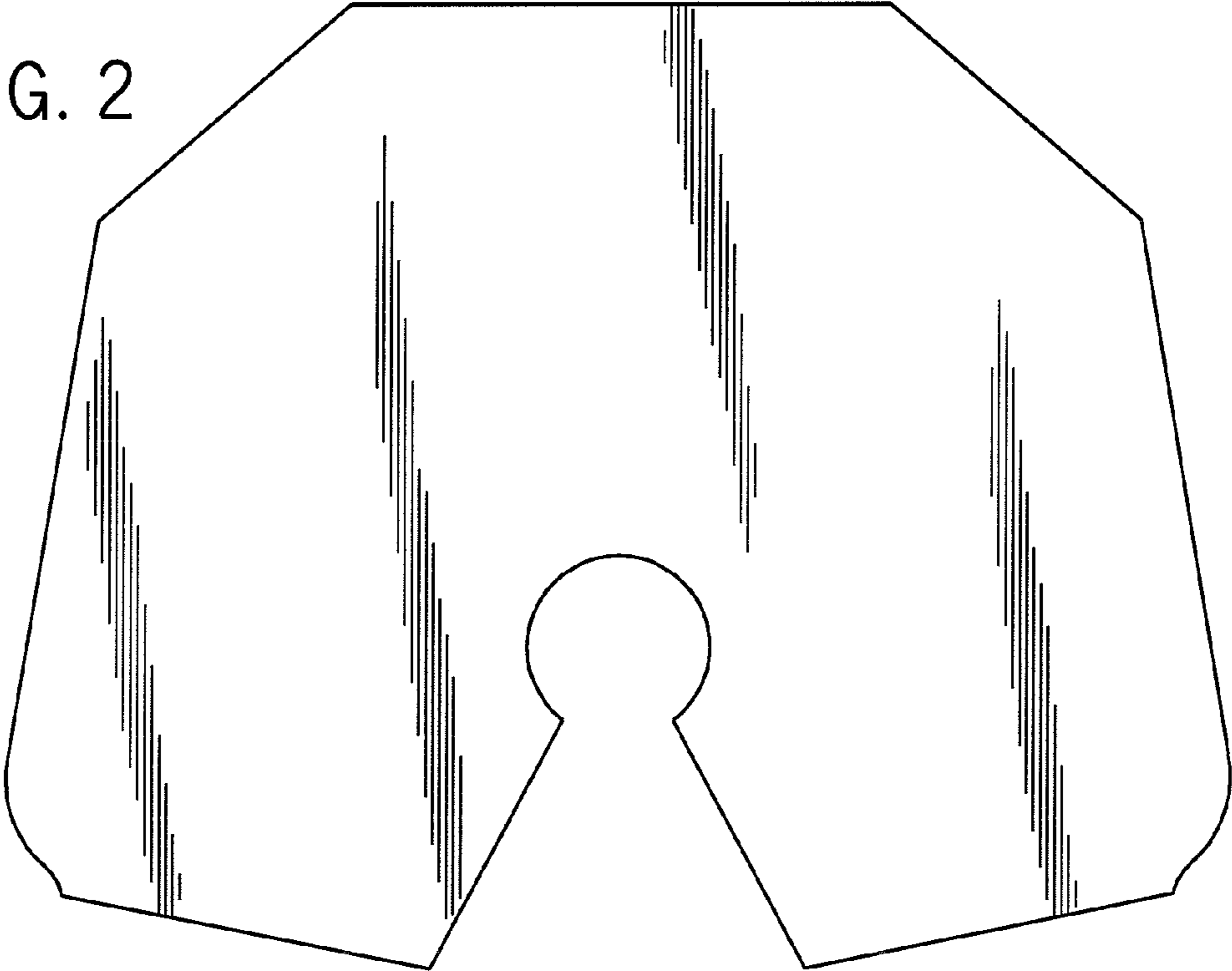




FIG. 3



FIG. 4



FIG. 5

FIG. 6

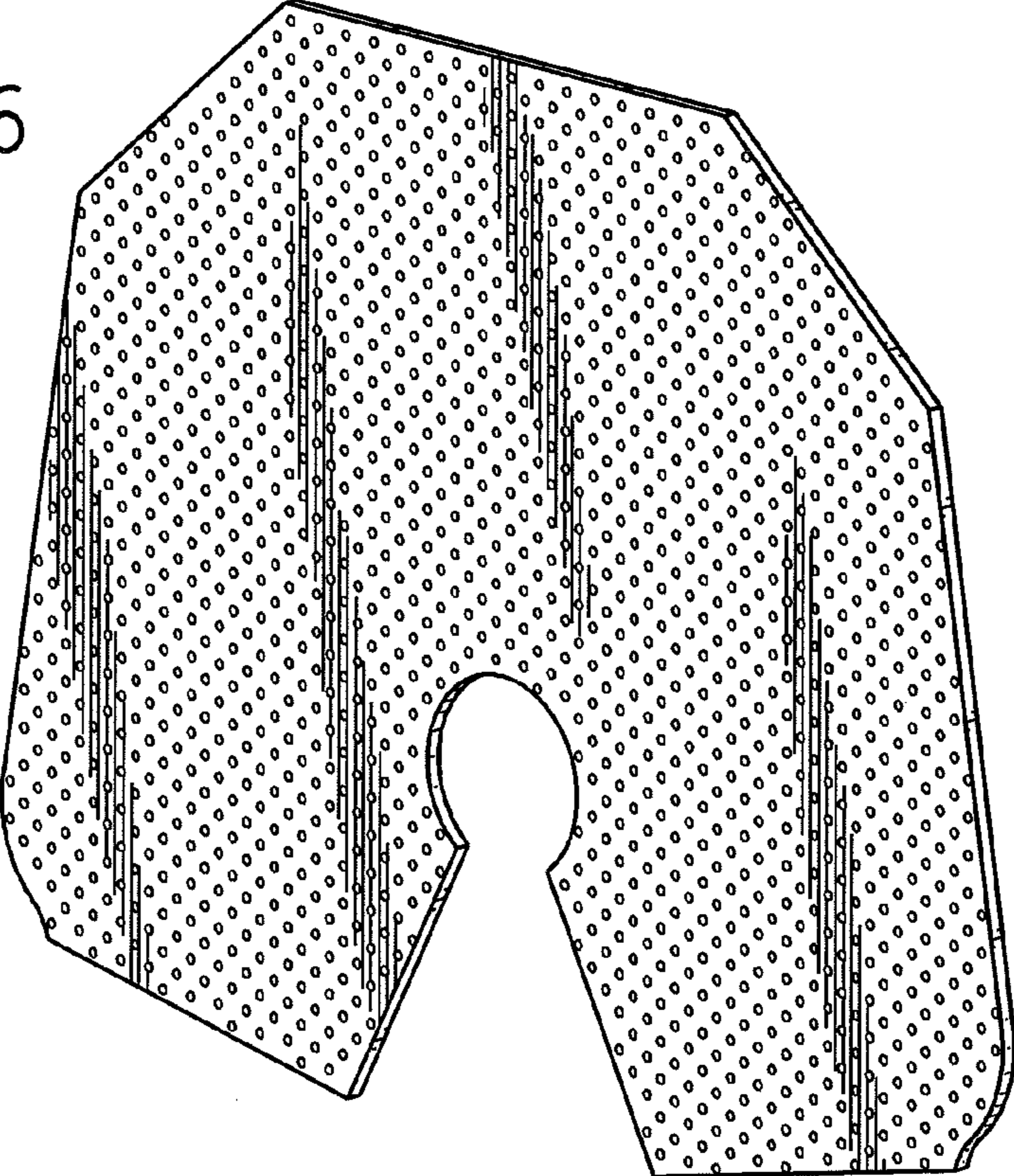


FIG. 7

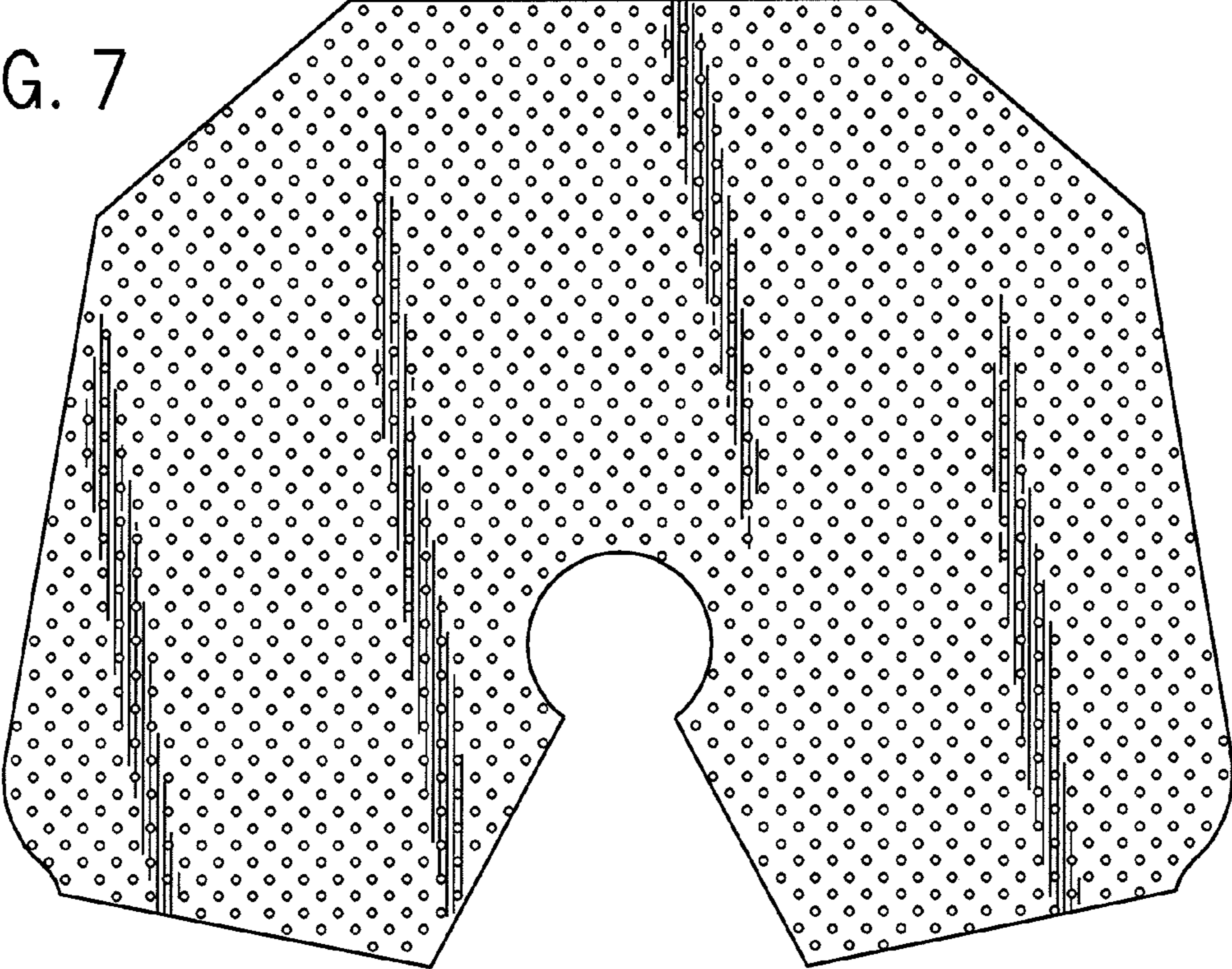




FIG. 8

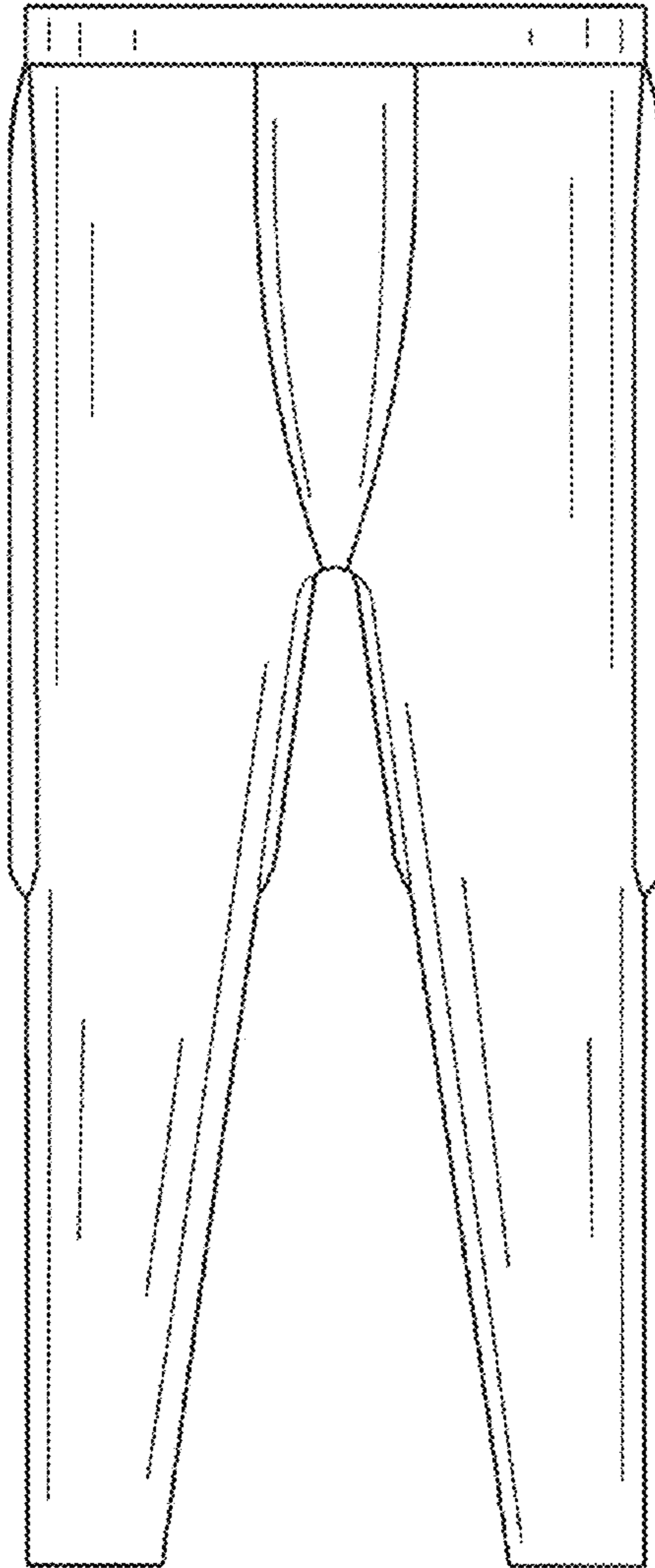


FIG. 9

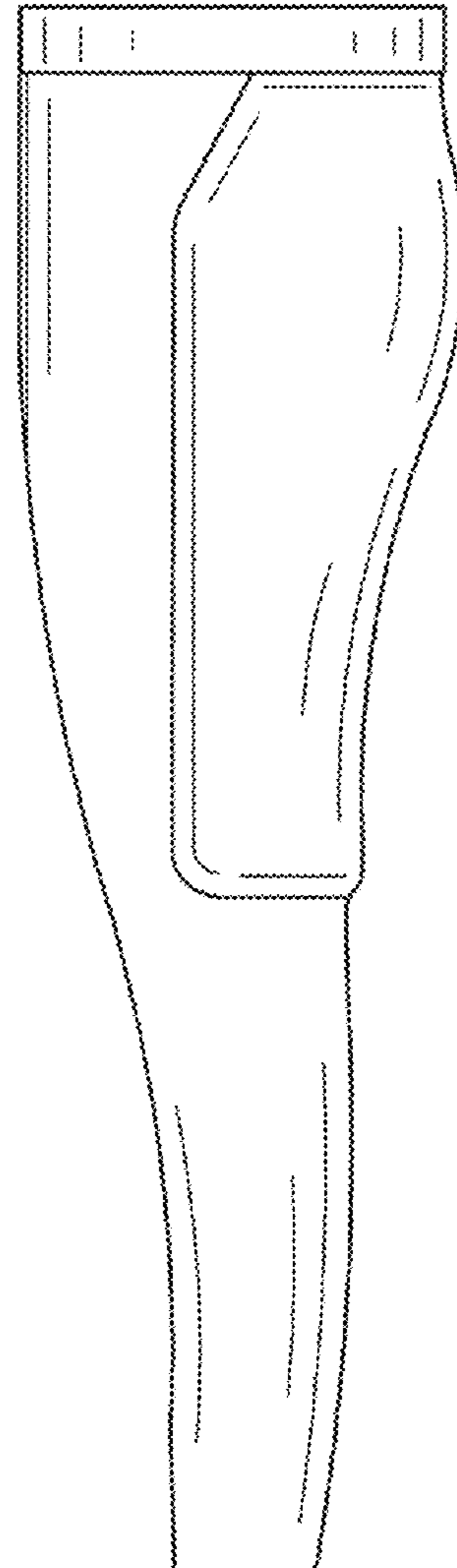


FIG. 10

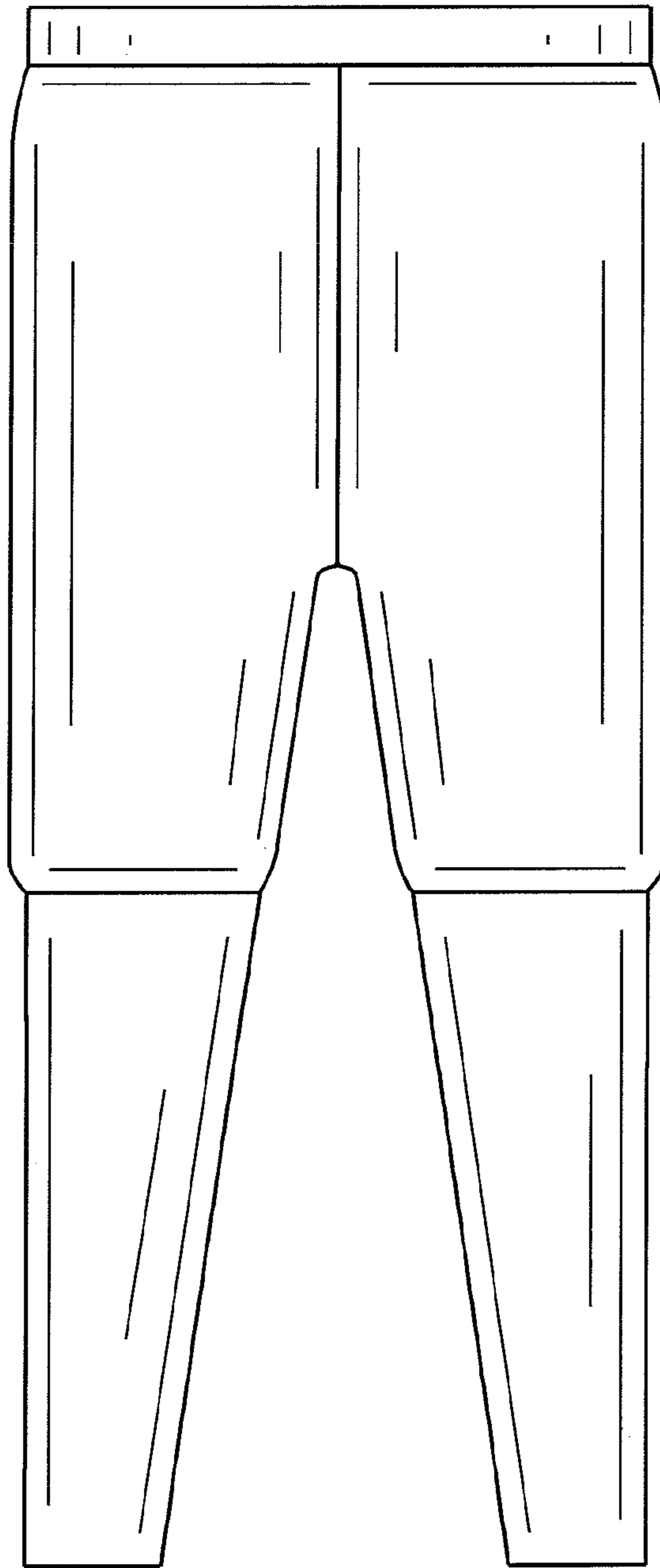


FIG. 11



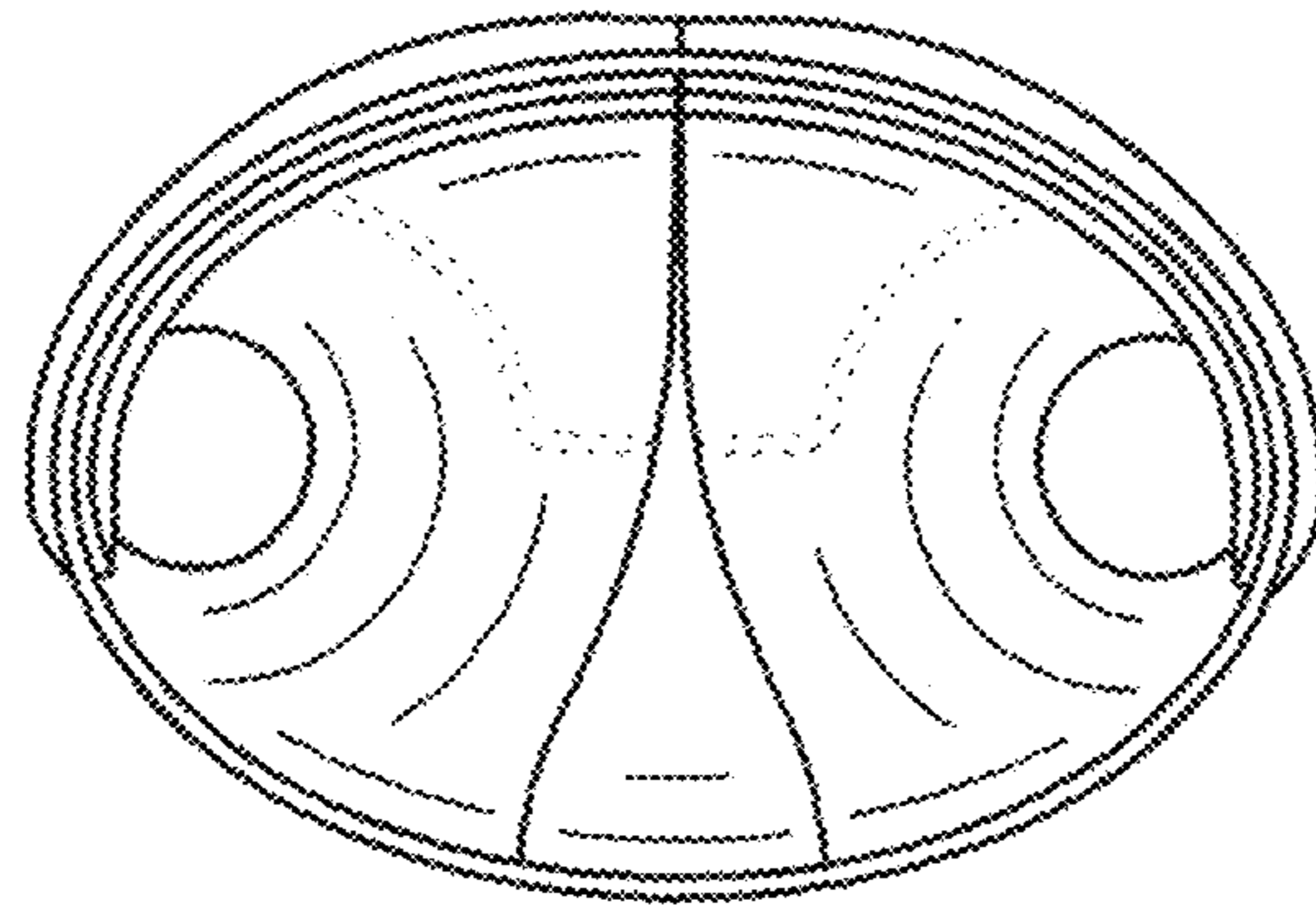


FIG. 12

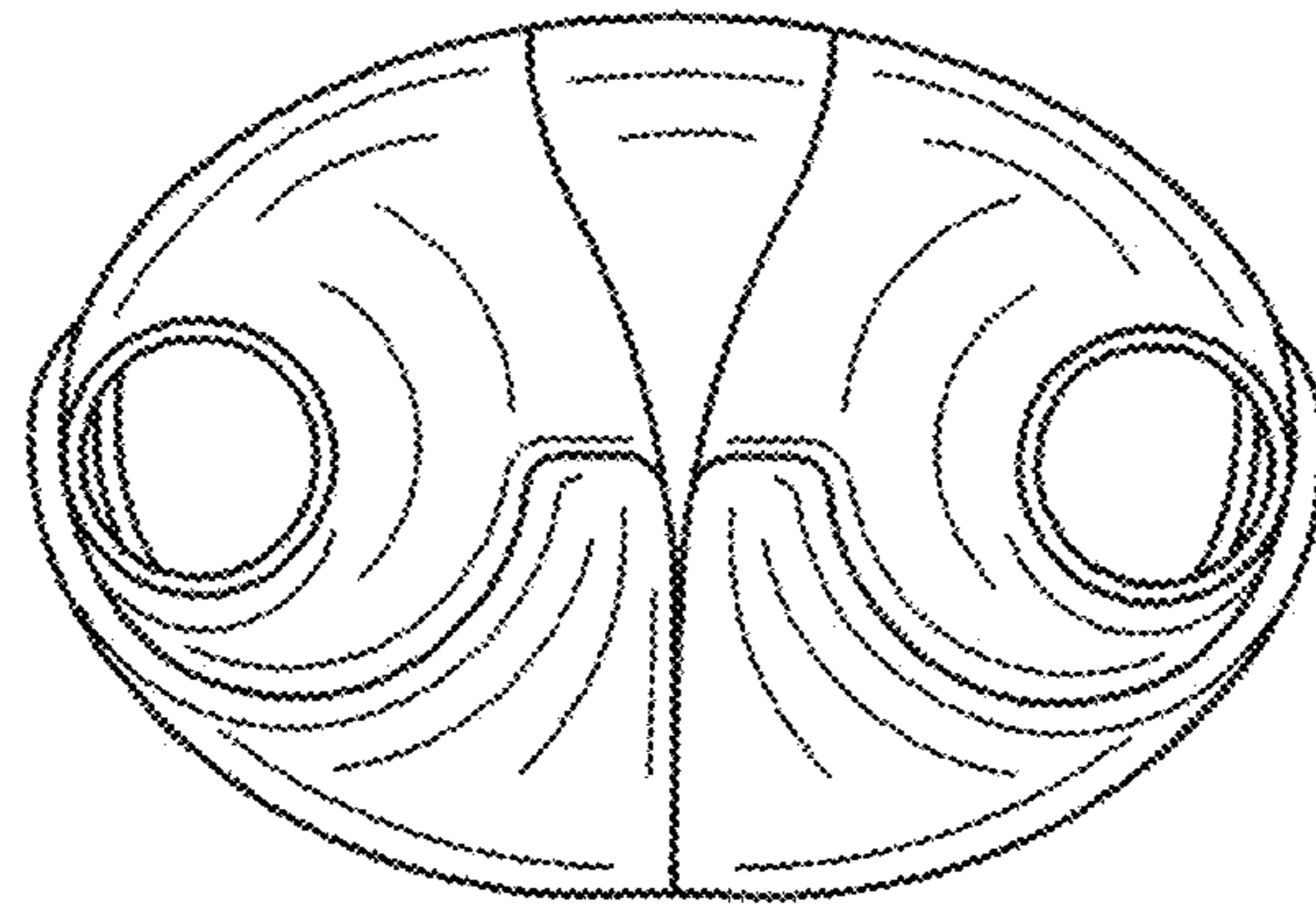


FIG. 13