



US00D722213S

(12) **United States Design Patent**  
**Cohen**

(10) **Patent No.:** **US D722,213 S**  
(45) **Date of Patent:** **\*\* Feb. 3, 2015**

(54) **TELESCOPIC EXTENSION WITH A  
SCRAPER AND A REMOVAL HEAD**

(75) Inventor: **Joseph S. Cohen**, New York, NY (US)

(73) Assignee: **Snow Joe, LLC**, Edison, NJ (US)

(\*\*) Term: **14 Years**

(21) Appl. No.: **29/426,665**

(22) Filed: **Jul. 9, 2012**

(51) **LOC (10) Cl.** ..... **04-01**

(52) **U.S. Cl.**  
USPC ..... **D32/50; D32/51**

(58) **Field of Classification Search**  
USPC ..... D32/40–45, 50–52, 49; 15/118, 244.1,  
15/244.2, 244.3, 244.4, 116.1, 116.2,  
15/119.1, 119.2, 104.9, 228, 229.2, 229.4;  
401/135–140

See application file for complete search history.

(56) **References Cited**

**U.S. PATENT DOCUMENTS**

3,051,975	A	*	9/1962	Schwartz	.....	15/105
D297,275	S	*	8/1988	Cook	.....	D32/44
D312,339	S	*	11/1990	Nero, III	.....	D32/51
5,067,197	A	*	11/1991	Cormier	.....	15/244.1
5,915,437	A	*	6/1999	Petner	.....	15/228
D453,075	S	*	1/2002	Liu	.....	D4/118
D539,496	S	*	3/2007	Sickler et al.	.....	D32/41
D544,160	S	*	6/2007	Thomas	.....	D32/42
D563,068	S	*	2/2008	Jiang et al.	.....	D32/50
D566,916	S	*	4/2008	Nobile et al.	.....	D32/40
D597,315	S	*	8/2009	Hoffelner	.....	D4/118
7,832,955	B1	*	11/2010	Leffew et al.	.....	401/265
D638,186	S	*	5/2011	Yoon	.....	D32/50
D653,826	S	*	2/2012	Lee	.....	D32/50
D656,736	S	*	4/2012	Hoffelner	.....	D4/118
D685,554	S	*	7/2013	Malvasio	.....	D32/40
D700,761	S	*	3/2014	Libman et al.	.....	D32/50

D701,013 S \* 3/2014 Libman et al. .... D32/50

\* cited by examiner

*Primary Examiner* — John Windmuller

(74) *Attorney, Agent, or Firm* — Ilan N. Barzilay; Joseph M. Walker; Seyfarth Shaw LLP

(57) **CLAIM**

The ornamental design for a telescopic extension with a scraper and a removal head, as shown and described.

**DESCRIPTION**

FIG. 1 is a first-side elevation view of a telescopic extension with a scraper and a removal head;

FIG. 2 is a second-side elevation view of the telescopic extension with the scraper and the removal head;

FIG. 3 is a third-side elevation view of the telescopic extension with the scraper and the removal head;

FIG. 4 is a fourth-side elevation view of the telescopic extension with the scraper and the removal head;

FIG. 5 is an elevation view of the telescopic extension with the scraper and the removal head illustrating a first side of the removal head;

FIG. 6 is an elevation view of the telescopic extension with the scraper and the removal head illustrating a second side of the removal head;

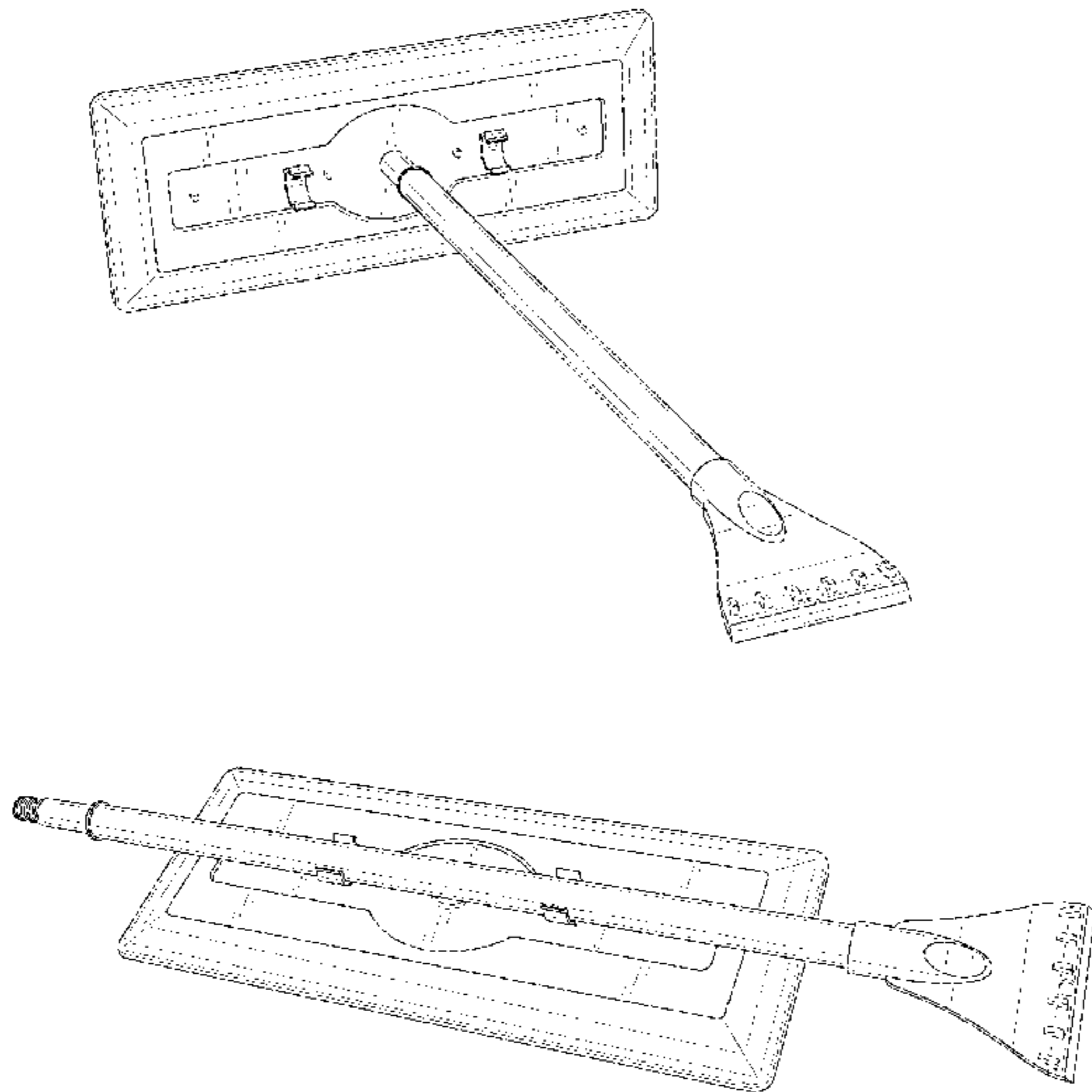
FIG. 7 is a first perspective view of the telescopic extension with the scraper and the removal head illustrating the first side of the removal head;

FIG. 8 is a second perspective view of the telescopic extension with the scraper and the removal head illustrating the second side of the removal head; and,

FIG. 9 is a perspective view of the telescopic extension with the scraper and the removal head illustrating the telescopic extension coupled along a length of the telescopic extension to the first side of the removal head.

The broken line showings of protrusions, apertures, and other features on the scraper and the removal head are for illustrative purposes only and form no part of the claimed design.

**1 Claim, 7 Drawing Sheets**



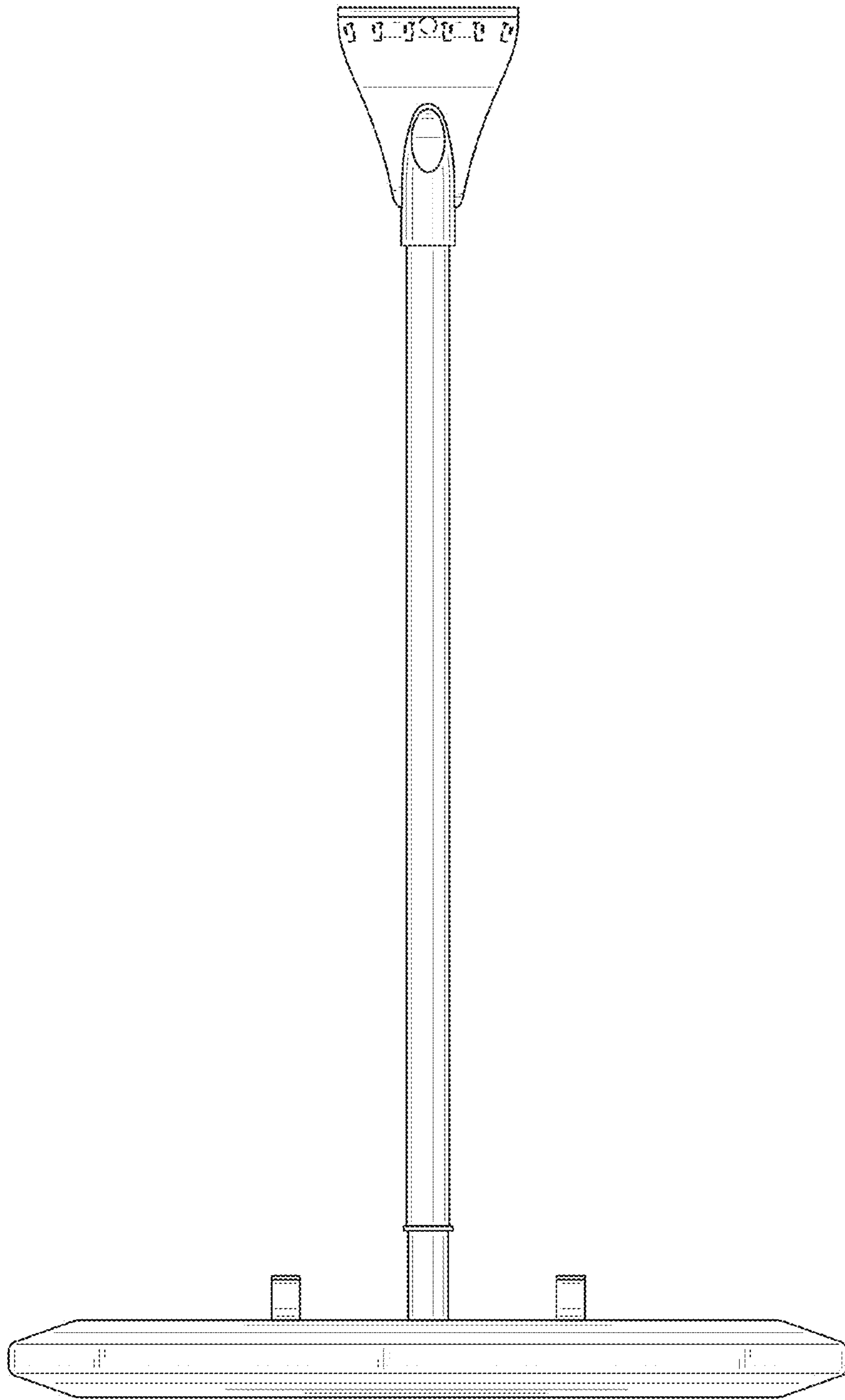


FIG. 1

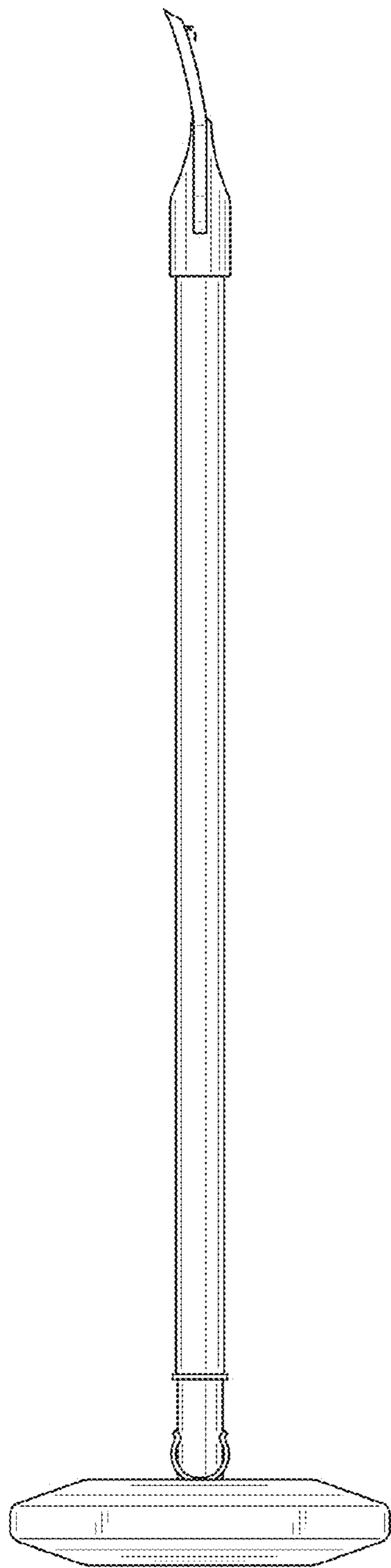


FIG. 2

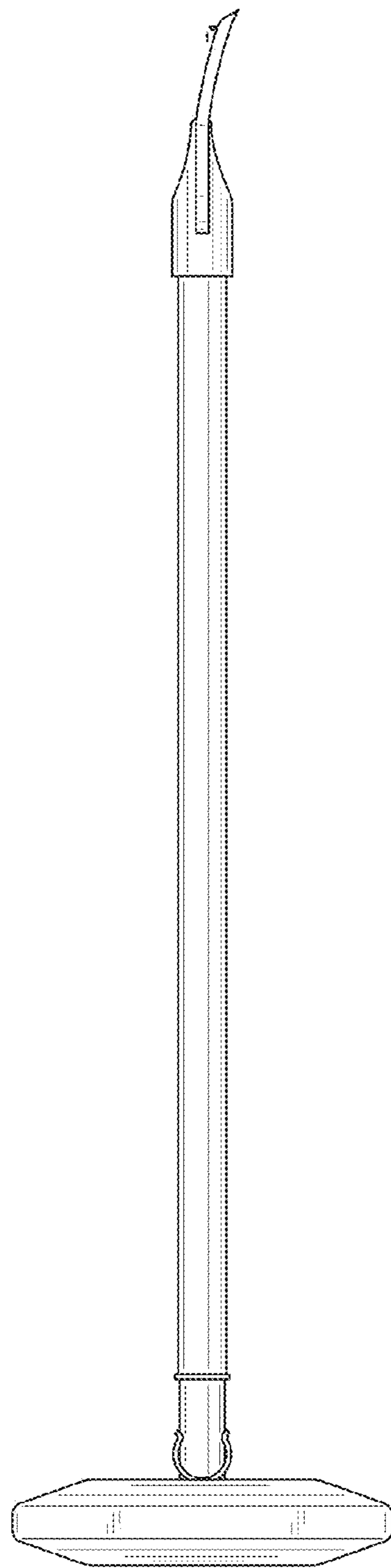


FIG. 3

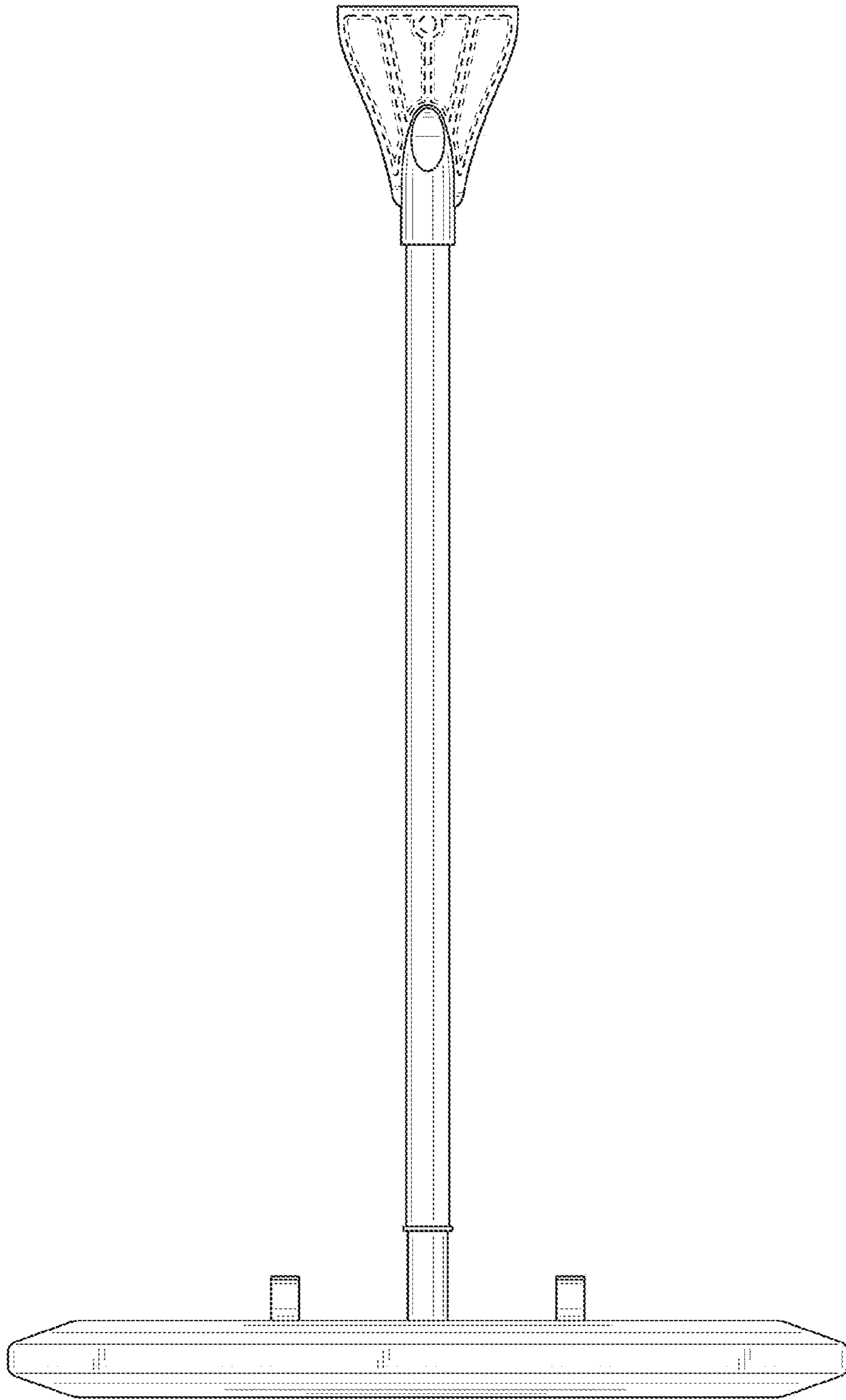


FIG. 4

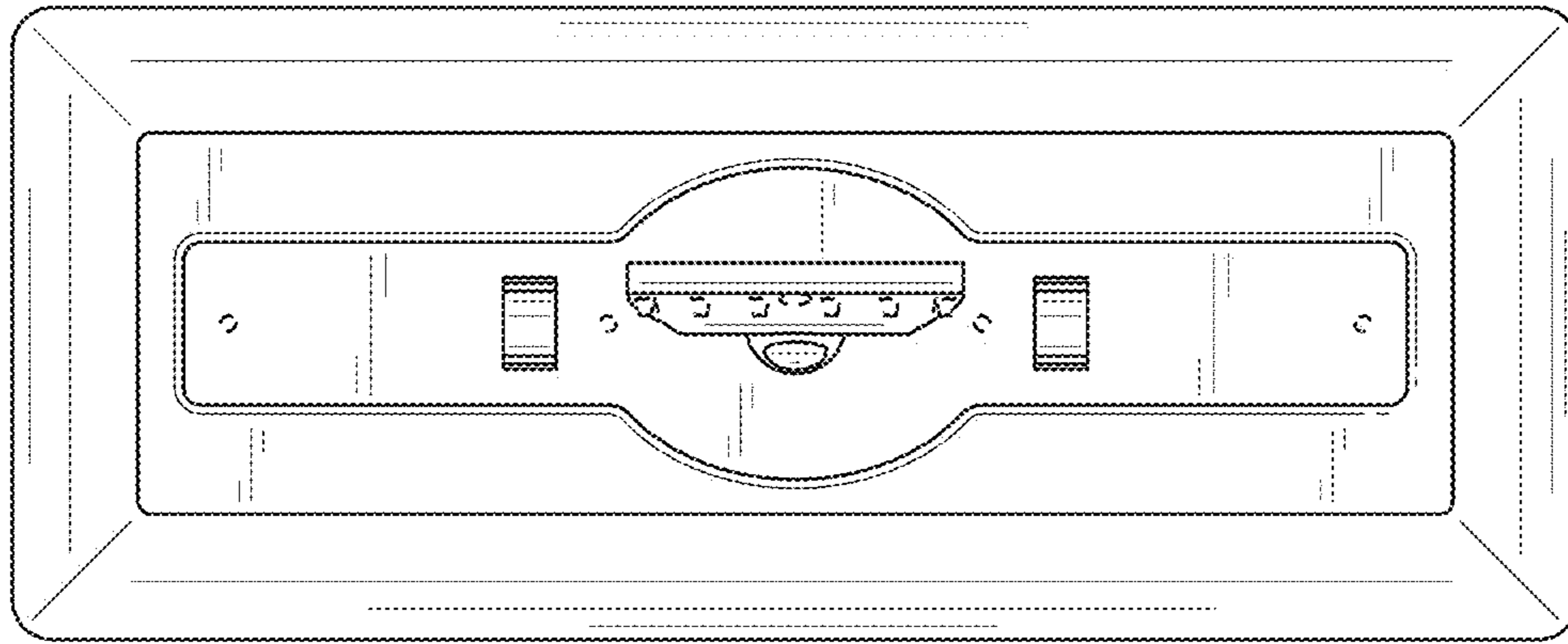


FIG. 5

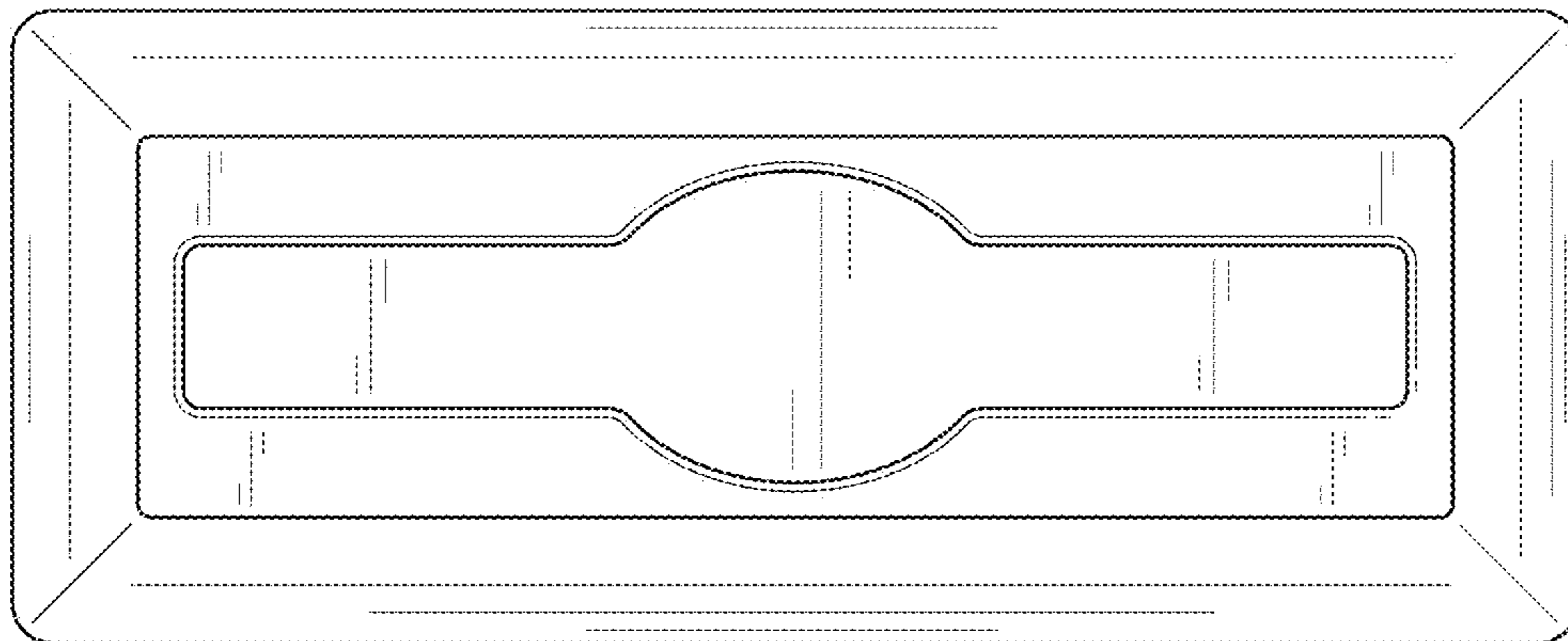


FIG. 6

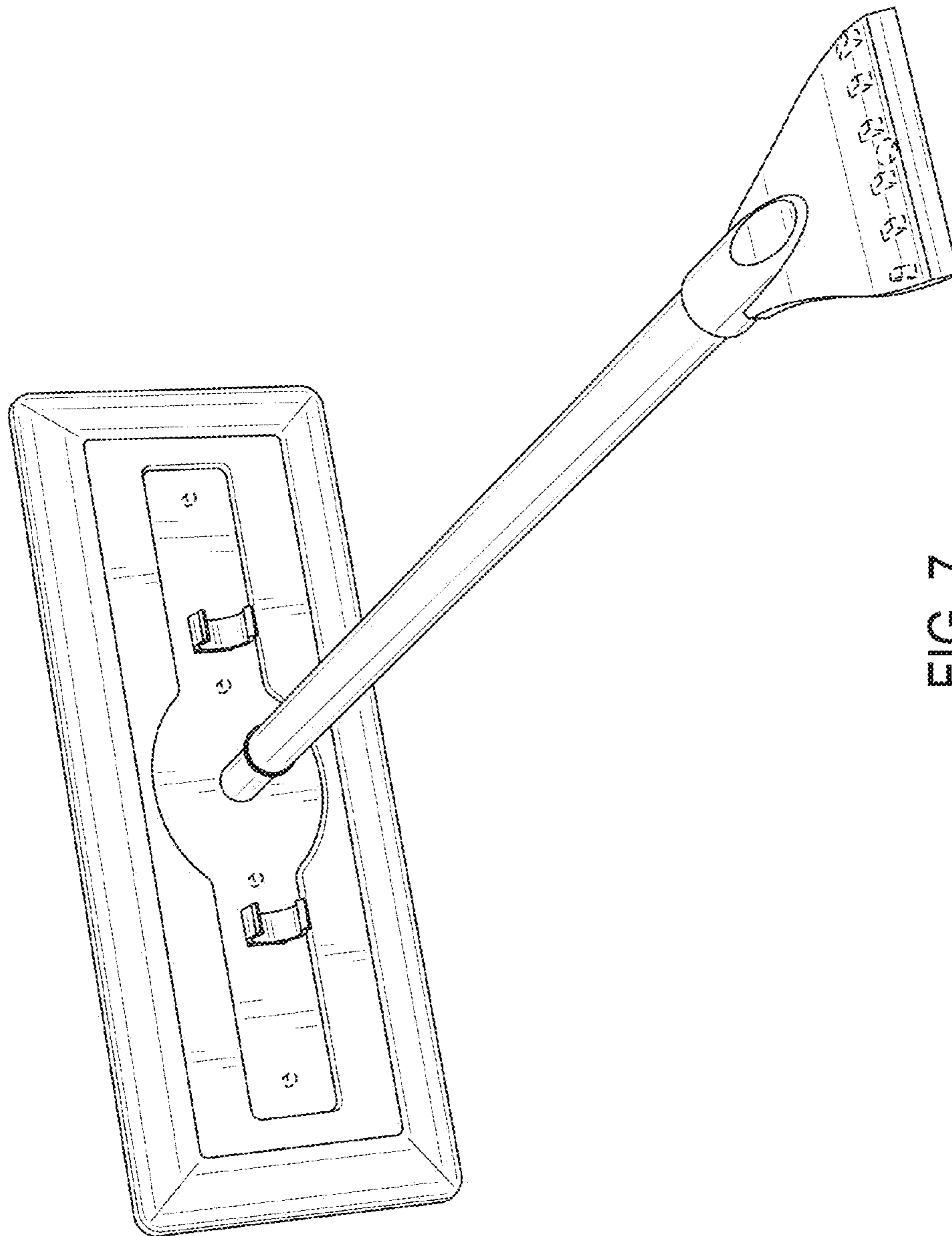


FIG. 7

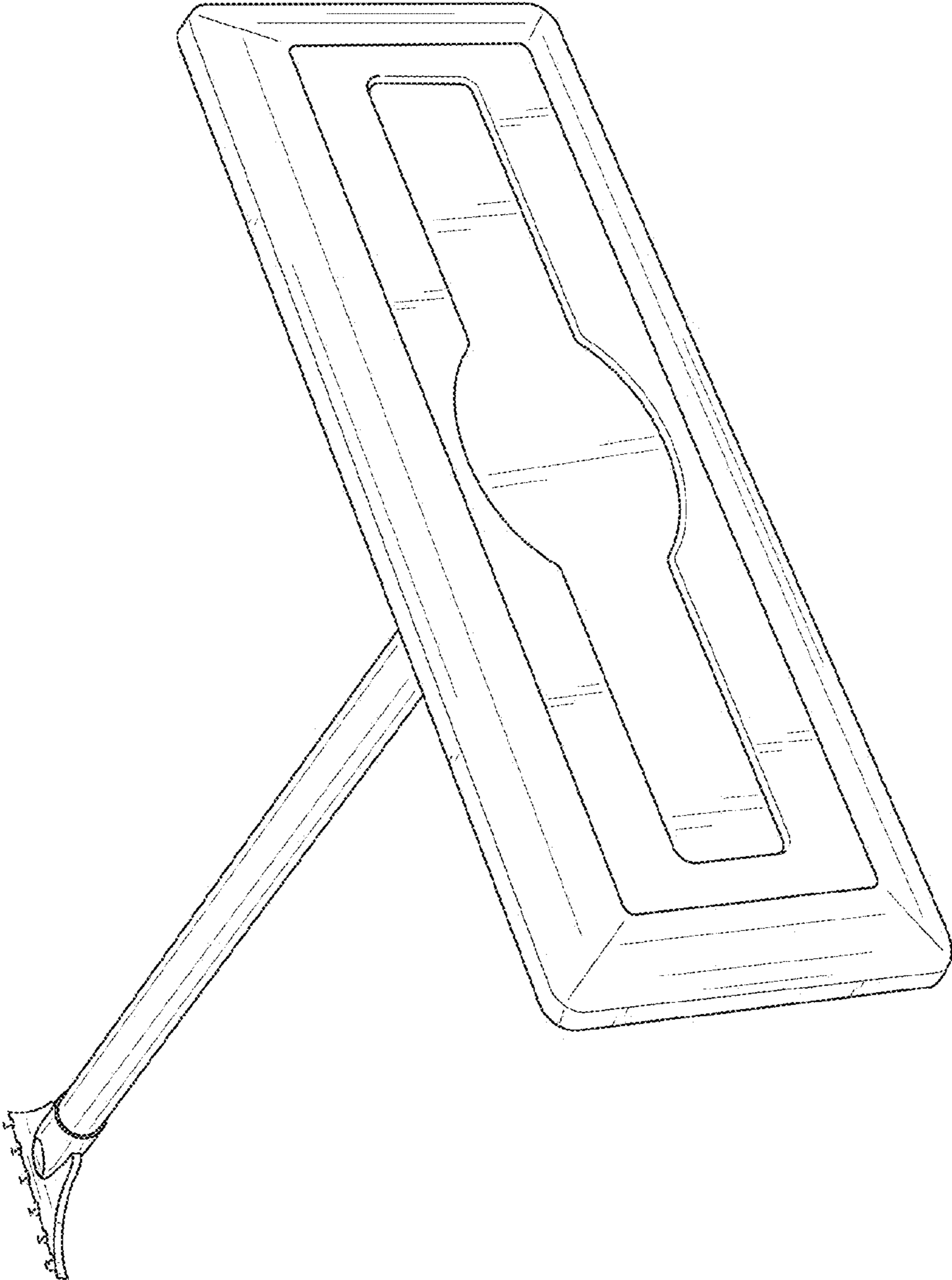


FIG. 8

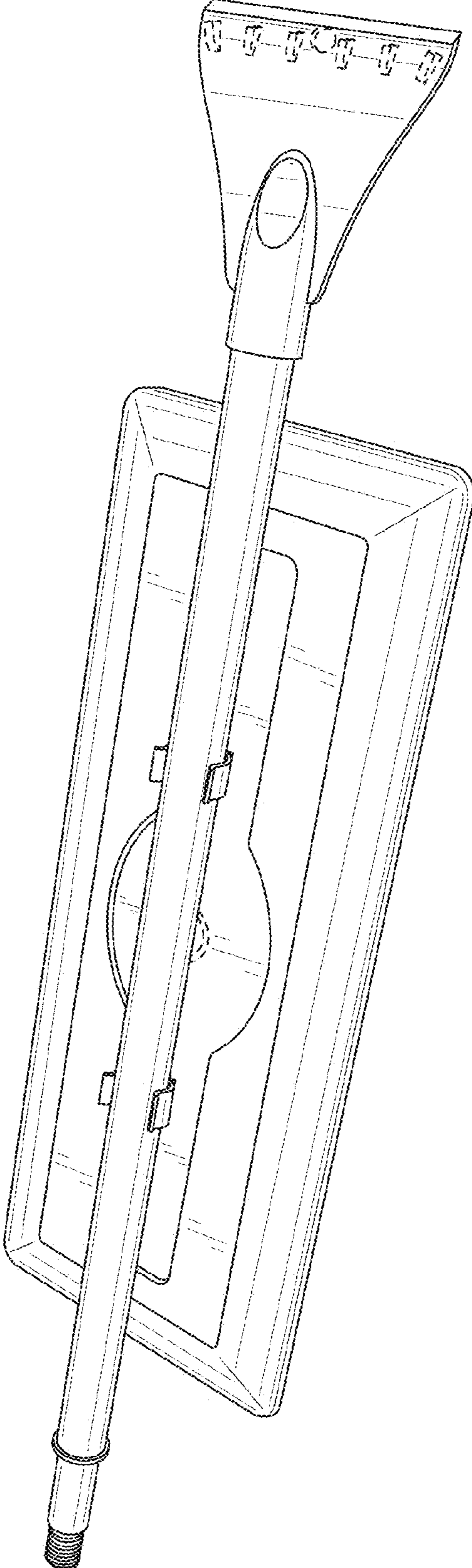


FIG. 9