



US00D722212S

(12) **United States Design Patent**  
**Kim et al.**

(10) **Patent No.:** **US D722,212 S**

(45) **Date of Patent:** **\*\* Feb. 3, 2015**

- (54) **DRUM FOR WASHING MACHINE**
- (71) Applicant: **Samsung Electronics Co., Ltd.**,  
Suwon-Si, Gyeonggi-Do (KR)
- (72) Inventors: **In Hee Kim**, Seoul (KR); **Changae Lim**,  
Seoul (KR); **Jiwon Hwang**, Seoul (KR)
- (73) Assignee: **Samsung Electronics Co., Ltd.**,  
Gyeonggi-do (KR)

(\*\*) Term: **14 Years**

(21) Appl. No.: **29/453,855**

(22) Filed: **May 3, 2013**

(30) **Foreign Application Priority Data**

Nov. 5, 2012 (KR) ..... 30-2012-0052718

(51) **LOC (10) Cl.** ..... **15-05**

(52) **U.S. Cl.**  
USPC ..... **D32/29**

(58) **Field of Classification Search**  
USPC ..... D32/1, 25, 29; 68/3 R, 5 R, 12.01, 12.08,  
68/23 R, 23.5, 24, 58, 139, 142, 212;  
34/58, 108, 130, 132  
See application file for complete search history.

(56) **References Cited**

**U.S. PATENT DOCUMENTS**

D174,702	S	*	5/1955	Oberg	.....	D32/29
4,888,965	A	*	12/1989	Fanson et al.	.....	68/23.4
D358,204	S	*	5/1995	Ferrier	.....	D23/314
5,746,070	A	*	5/1998	Bailey et al.	.....	68/24
5,934,110	A	*	8/1999	Nitsche	.....	68/142

D426,686	S	*	6/2000	Clausen et al.	.....	D32/29
6,334,341	B1	*	1/2002	Hellhake et al.	.....	68/124
7,395,684	B2	*	7/2008	Ozturk	.....	68/142
7,444,843	B2	*	11/2008	Ozturk et al.	.....	68/142
7,752,872	B2	*	7/2010	Fumagalli	.....	68/24
7,997,104	B2	*	8/2011	Gracia Bobed	.....	68/142
2004/0089030	A1	*	5/2004	Rhode et al.	.....	68/23 R
2005/0022565	A1	*	2/2005	Jung et al.	.....	68/24
2005/0097927	A1	*	5/2005	Kim et al.	.....	68/24
2005/0155392	A1	*	7/2005	Ozturk	.....	68/3 R
2006/0150688	A1	*	7/2006	Kim et al.	.....	68/142
2009/0211313	A1	*	8/2009	Exler et al.	.....	68/142
2009/0249838	A1	*	10/2009	Kim et al.	.....	68/58
2010/0307203	A1	*	12/2010	Gomez Caudevilla et al.	.....	68/142

\* cited by examiner

*Primary Examiner* — T. Chase Nelson

(74) *Attorney, Agent, or Firm* — Harness, Dickey & Pierce

(57) **CLAIM**

The ornamental design for a drum for washing machine, as shown and described.

**DESCRIPTION**

FIG. 1 is the front/right-side/top perspective view of a drum for washing machine showing our new design;  
 FIG. 2 is the front elevational view thereof;  
 FIG. 3 is the rear elevational view thereof;  
 FIG. 4 is the left-side elevational view thereof;  
 FIG. 5 is the right-side elevational view thereof;  
 FIG. 6 is the top plan view thereof;  
 FIG. 7 is the bottom plan view thereof; and,  
 FIG. 8 is the enlarged partial view of a portion of FIG. 1.  
 The broken line showing of details in FIG. 2 is included for the purpose of showing environmental portions of the drum for washing machine and forms no part of the claimed design.

**1 Claim, 8 Drawing Sheets**

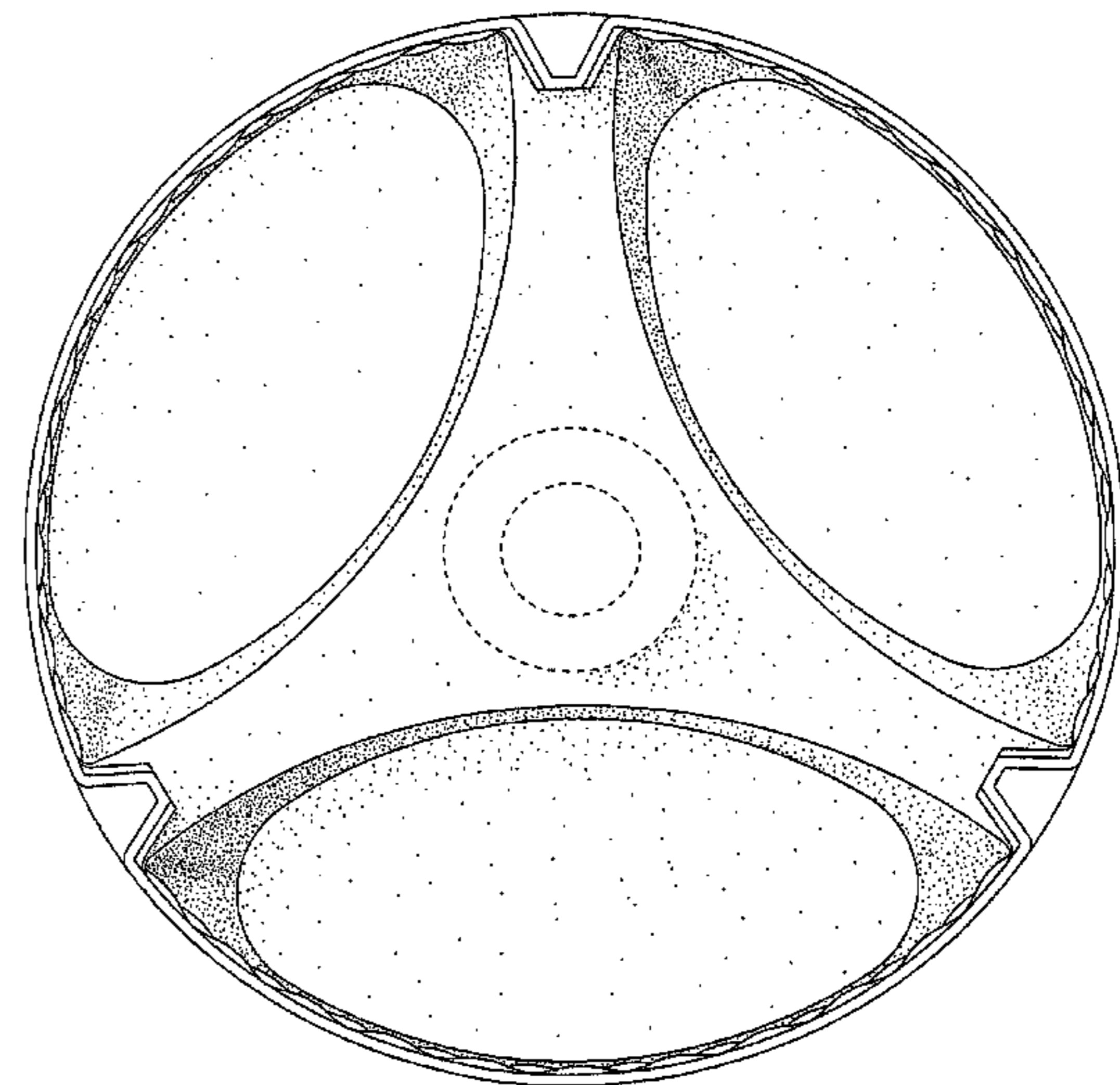
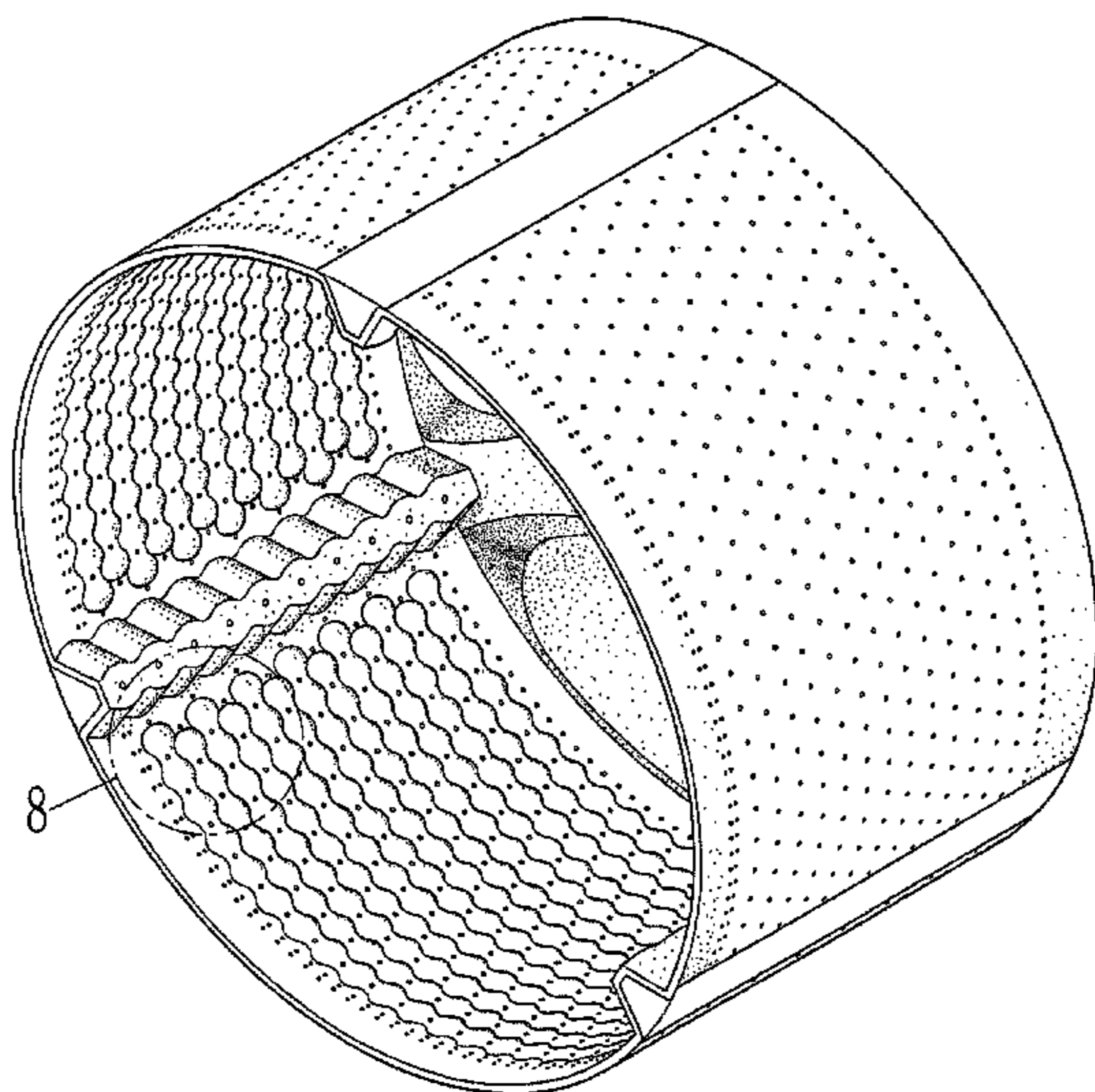


FIG. 1

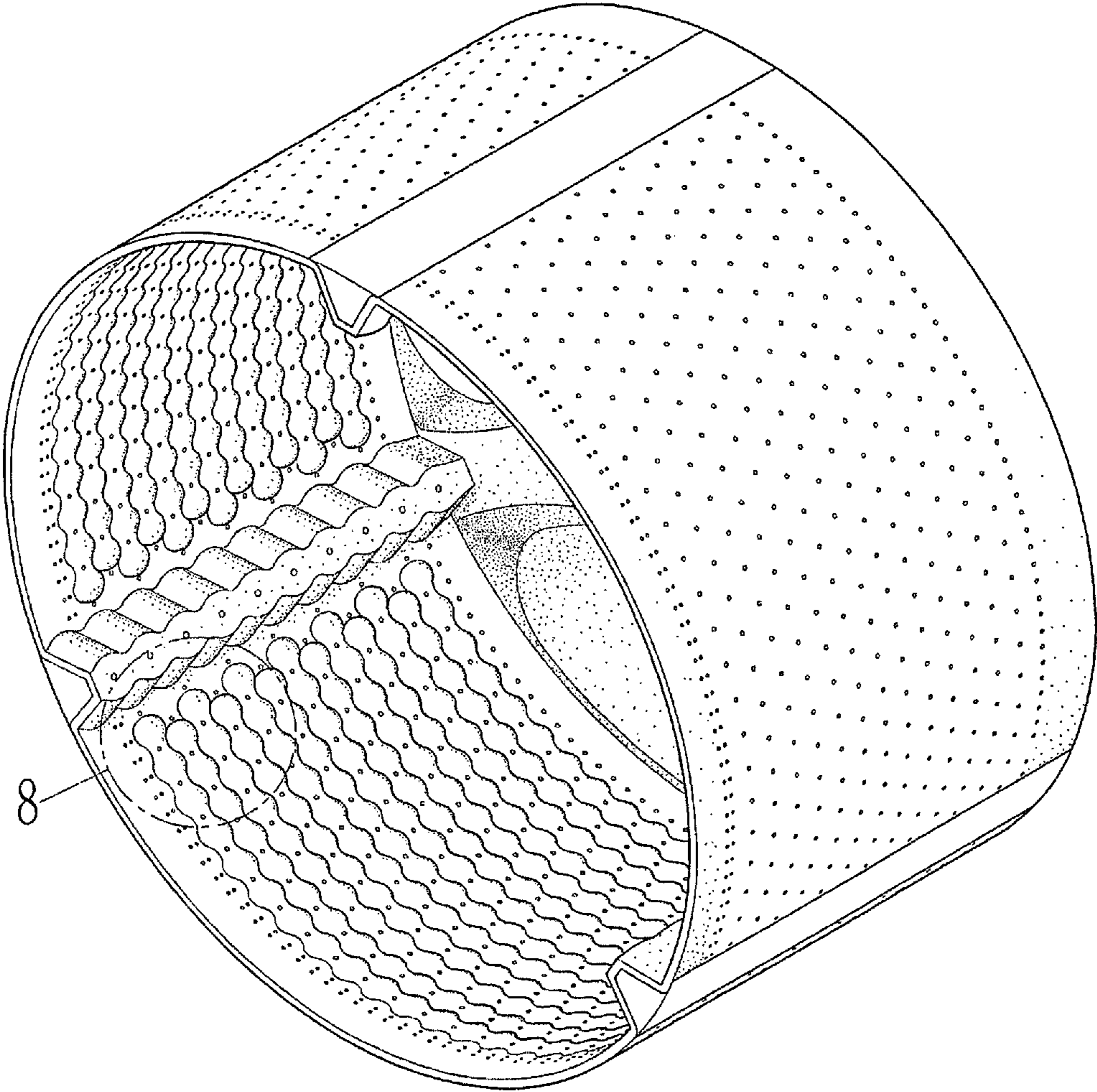


FIG.2

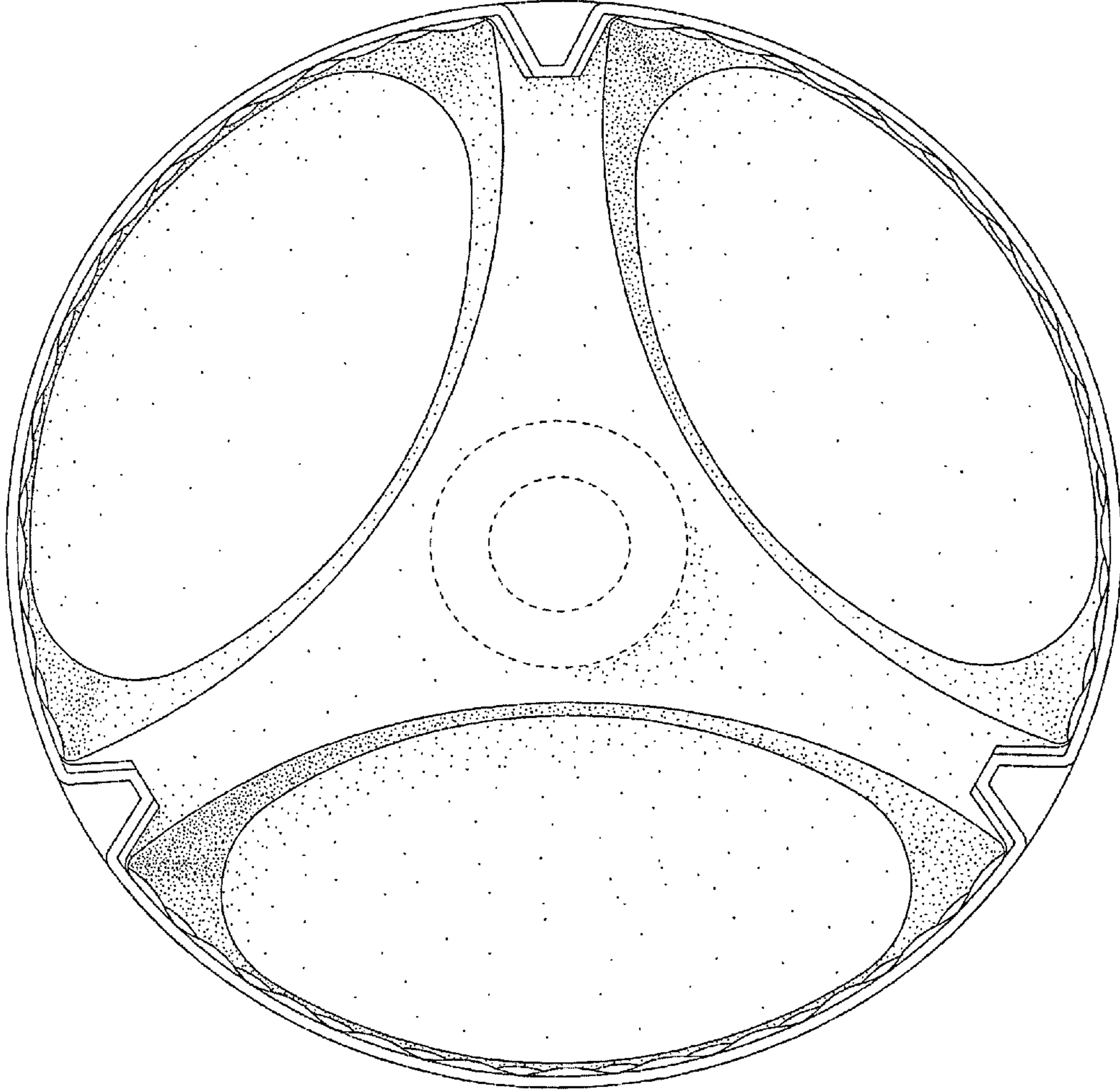


FIG.3

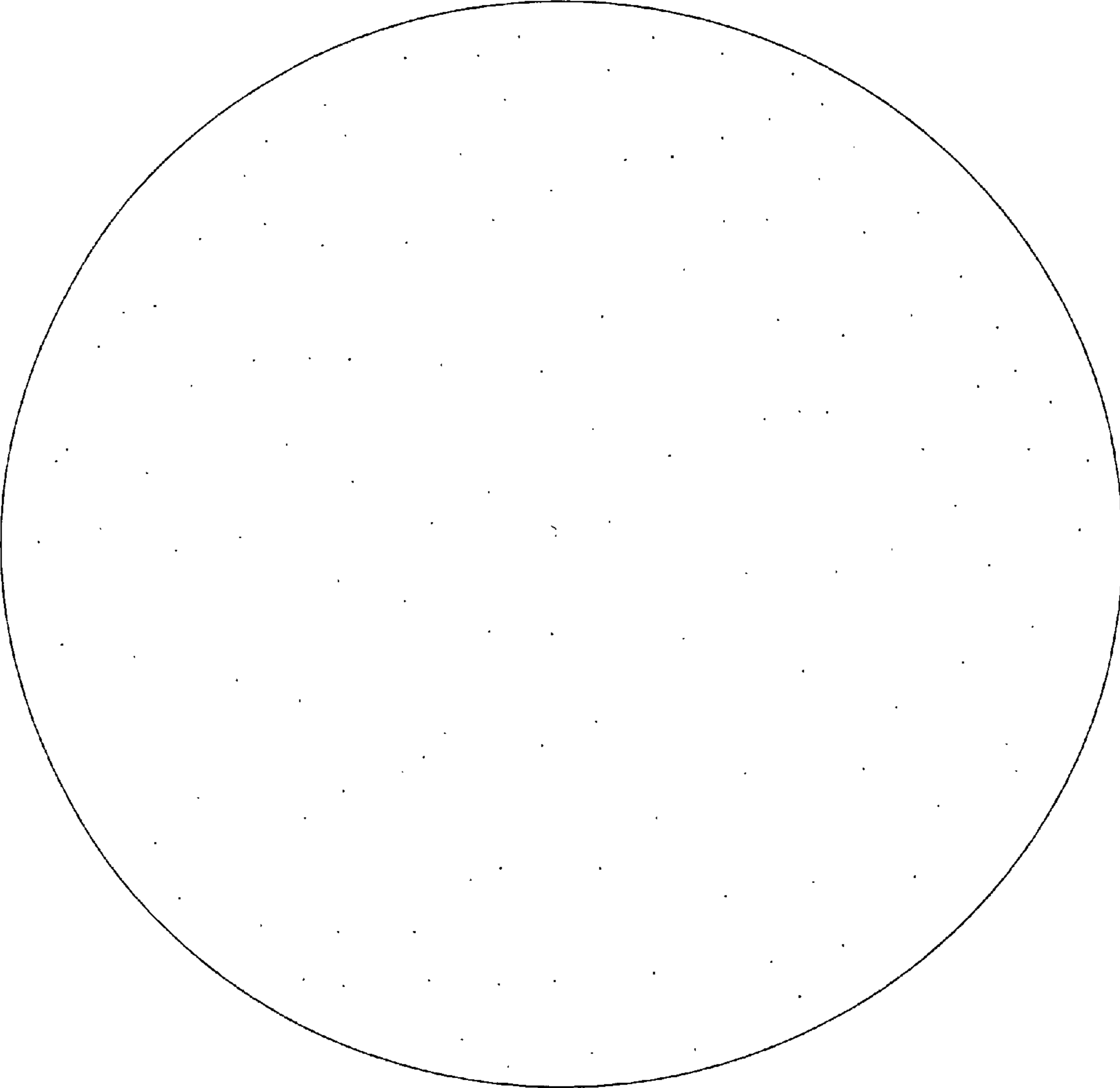


FIG. 4

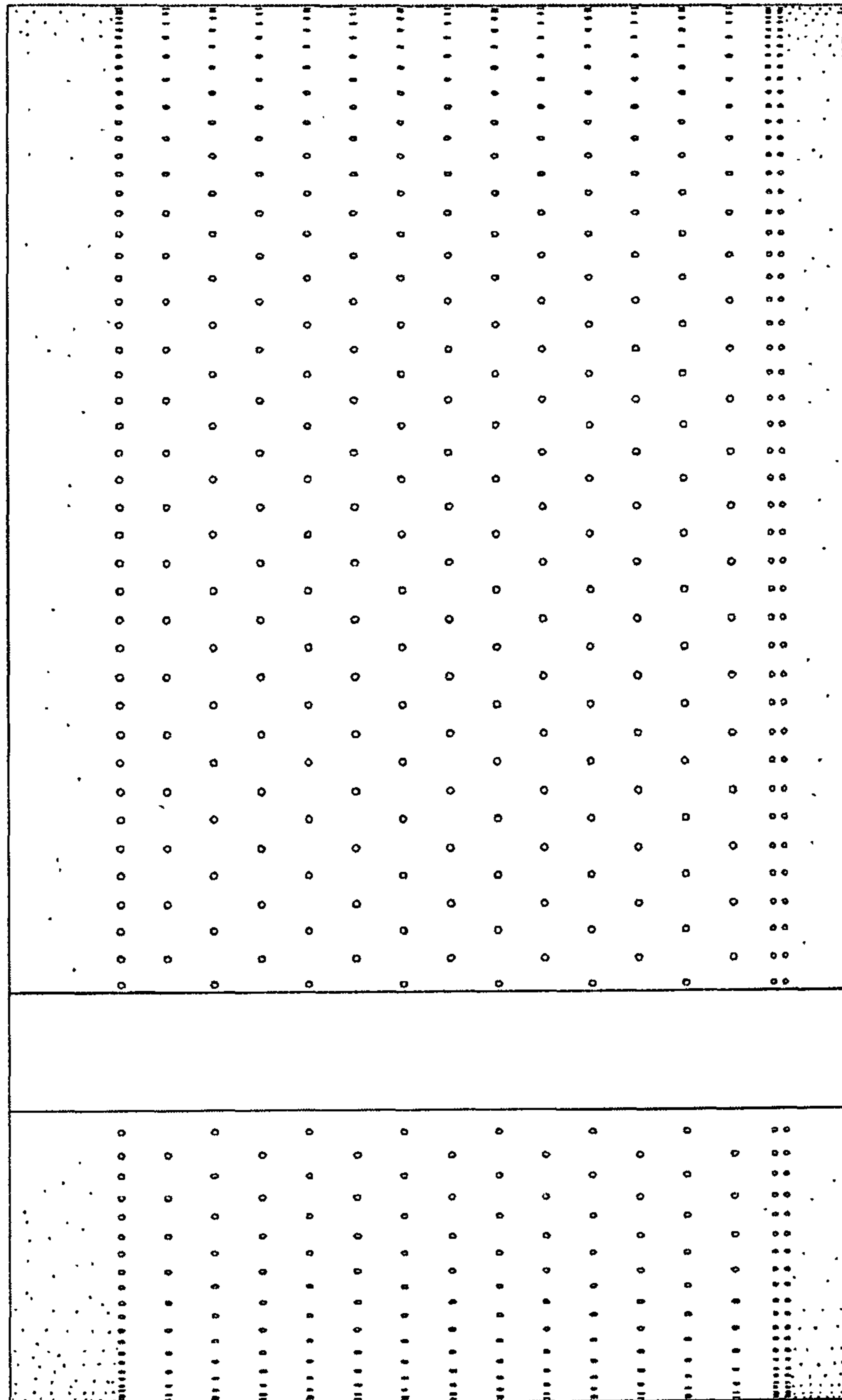


FIG.5

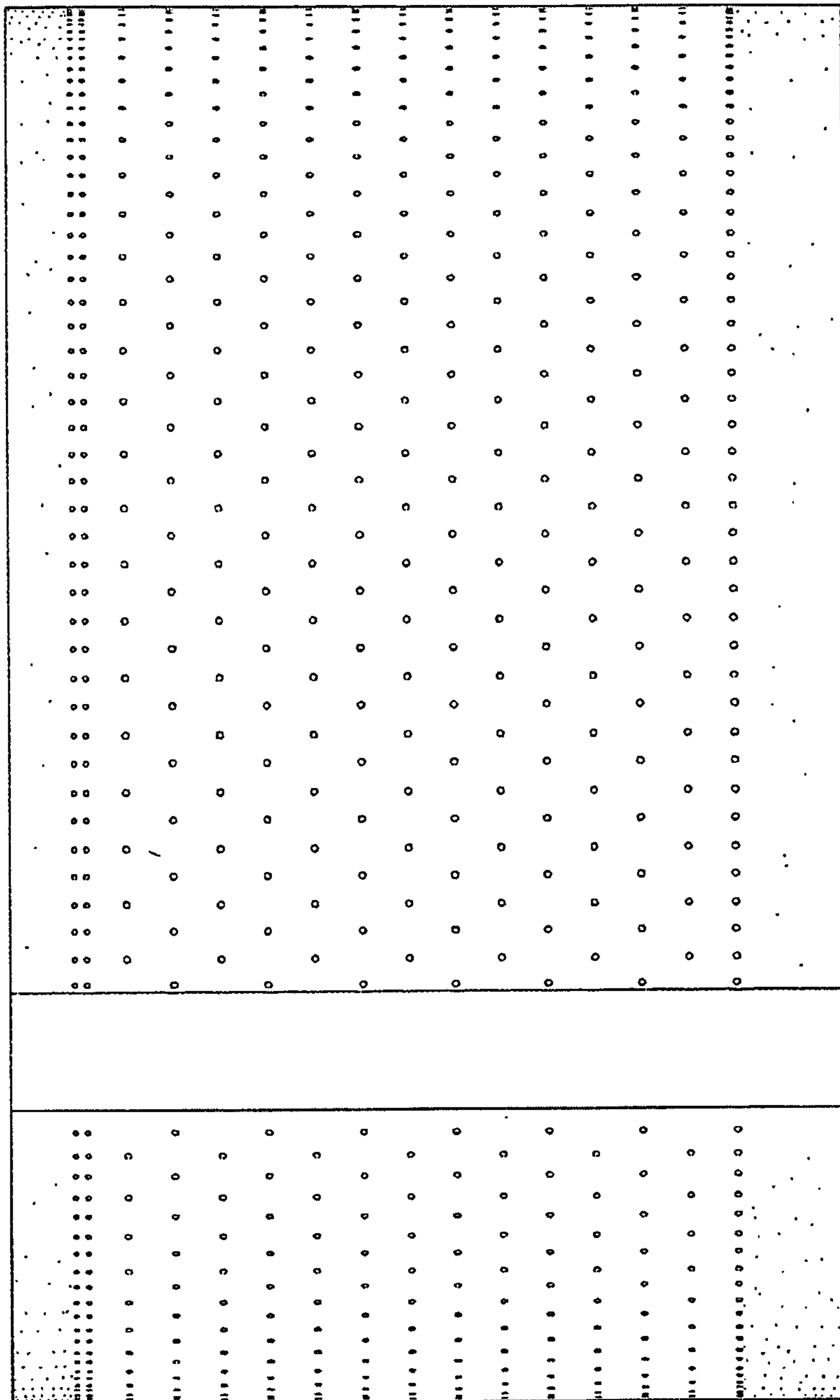


FIG.6

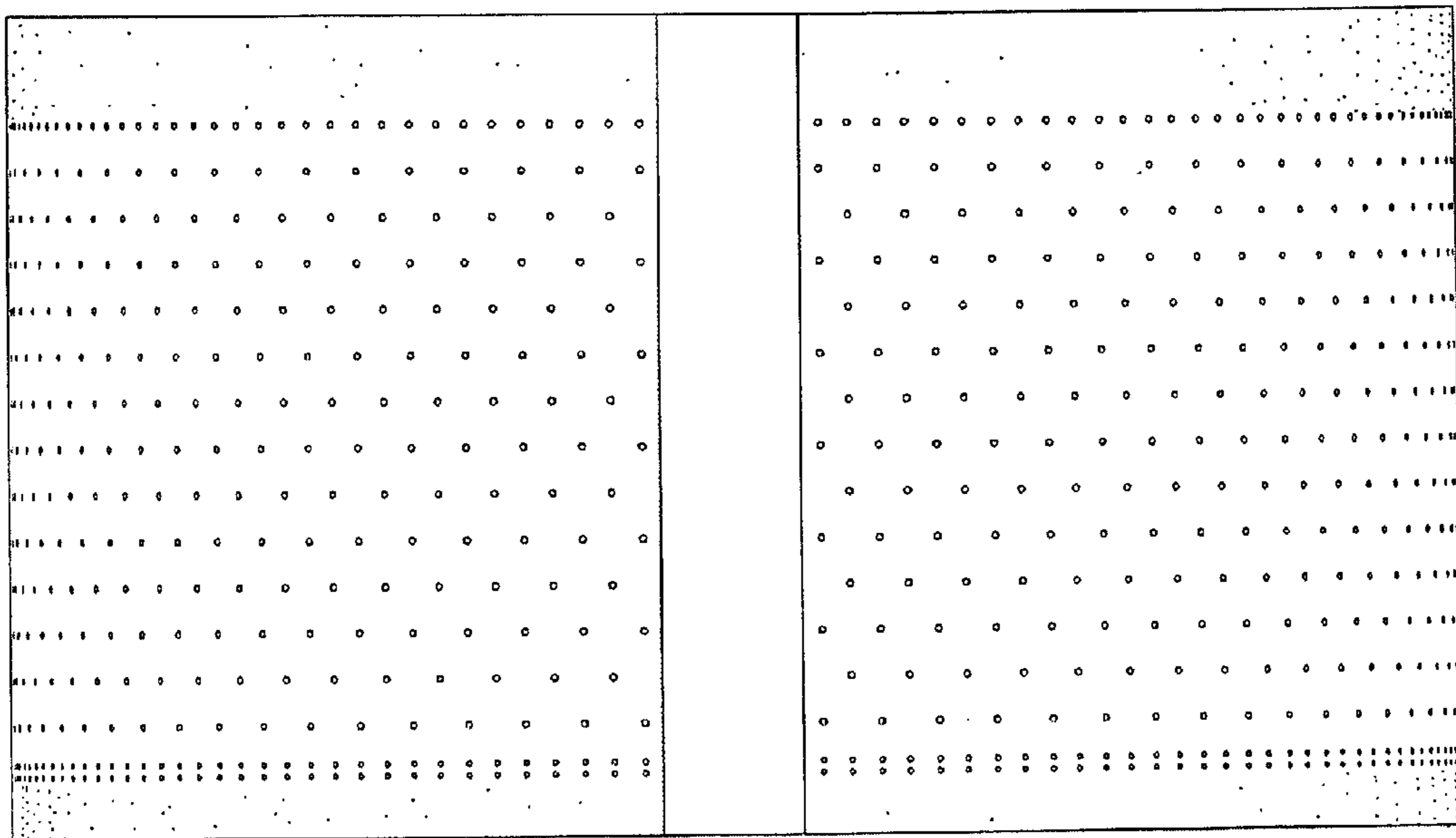


FIG. 7

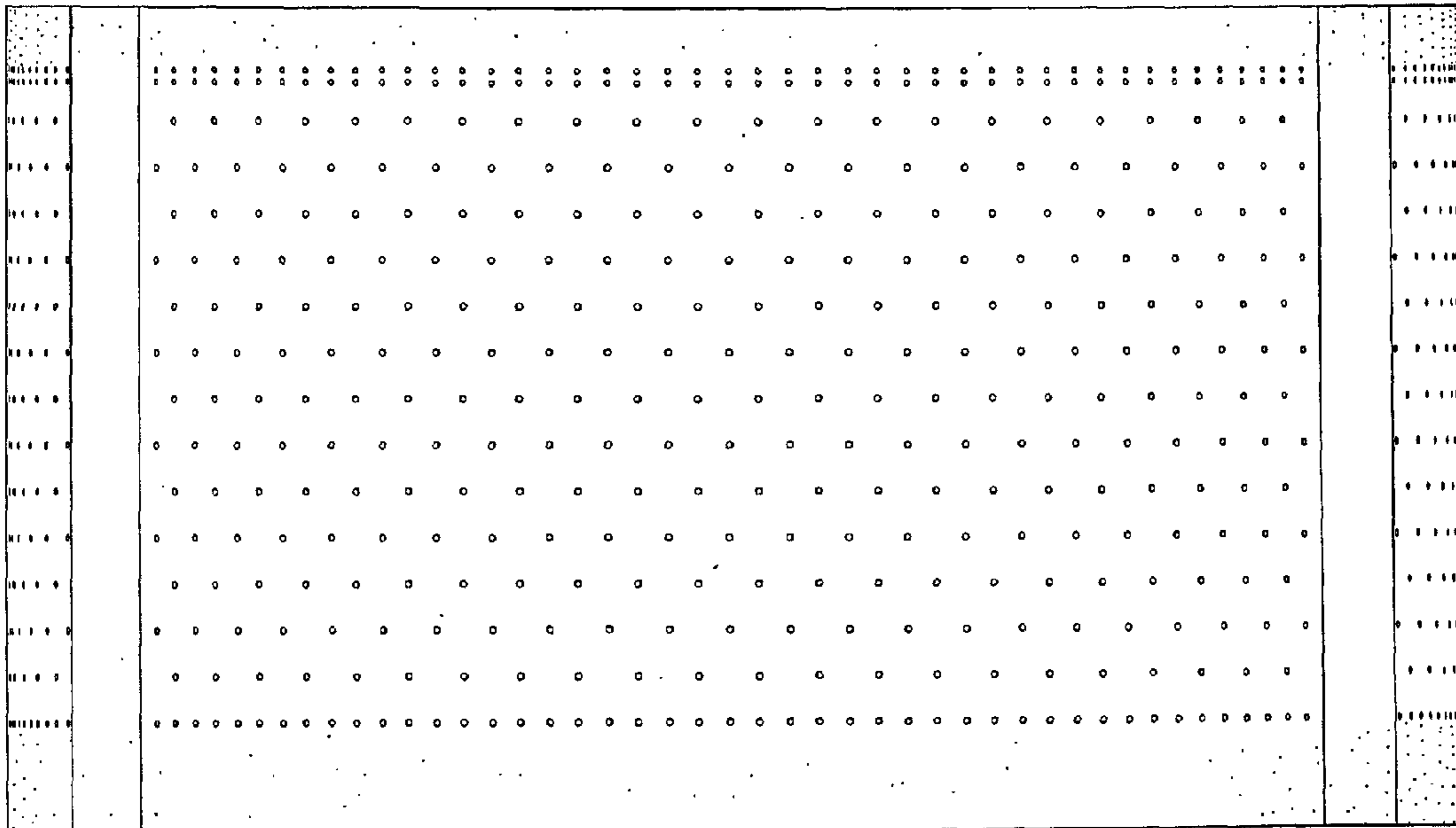




FIG.8

