



US00D722196S

(12) **United States Design Patent**
Tucker et al.

(10) **Patent No.:** **US D722,196 S**
(45) **Date of Patent:** **** Feb. 3, 2015**

(54) **ELECTRONIC SMOKING ARTICLE**

(56) **References Cited**

(71) Applicant: **Altria Client Services Inc.**, Richmond, VA (US)

U.S. PATENT DOCUMENTS

(72) Inventors: **Christopher S Tucker**, Midlothian, VA (US); **Geoffrey Brandon Jordan**, Midlothian, VA (US); **Barry S Smith**, Hopewell, VA (US); **Ali A Rostami**, Glen Allen, VA (US)

539,839 A *	5/1895	Voron	131/361
1,013,157 A	1/1912	Hadaway, Jr.	
1,514,682 A	11/1924	Wilson	
1,771,366 A	7/1930	Wyss et al.	
1,968,509 A	7/1934	Tiffany	
2,057,353 A	10/1936	Whittemore, Jr.	
2,104,266 A	1/1938	McCormick	
2,406,275 A	8/1946	Wejnarth	
2,442,004 A	5/1948	Hayward-Butt	
2,558,127 A	6/1951	Downs	

(73) Assignee: **Altria Client Services Inc.**, Richmond, VA (US)

(Continued)

(**) Term: **14 Years**

FOREIGN PATENT DOCUMENTS

(21) Appl. No.: **29/469,741**

BE	421623	6/1937
CN	87104459	2/1988

(22) Filed: **Oct. 14, 2013**

(Continued)

Related U.S. Application Data

(62) Division of application No. 29/443,134, filed on Jan. 14, 2013, now Pat. No. Des. 691,765.

(51) **LOC (10) Cl.** **27-01**

(52) **U.S. Cl.**
USPC **D27/101**

(58) **Field of Classification Search**
USPC D27/103-105, 108, 125, 172, 174-176, D27/183, 186-192, 194, 100, 101, 170, D27/163-165, 184, 185; D34/2; 206/242-276; D3/11, 215, 220, D3/226-230, 265, 266; 4/258, 259, 267, 4/271, 283; 131/270-273, 329, 330, 194, 131/189, 347, 360-365; D24/110, 113; D19/77, 81, 84; D28/73-77, 83, 85

See application file for complete search history.

OTHER PUBLICATIONS

RCD 000084876-0001-000084876-0017, retrieved from internet Nov. 14, 2013, Skandinavisk Tobakskompagni A/S.

(Continued)

Primary Examiner — Susan Bennett Hattan

Assistant Examiner — Janice Hallmark

(74) *Attorney, Agent, or Firm* — Harness, Dickey & Pierce, P.L.C.

(57) **CLAIM**

The ornamental design for an electronic smoking article, as shown and described.

DESCRIPTION

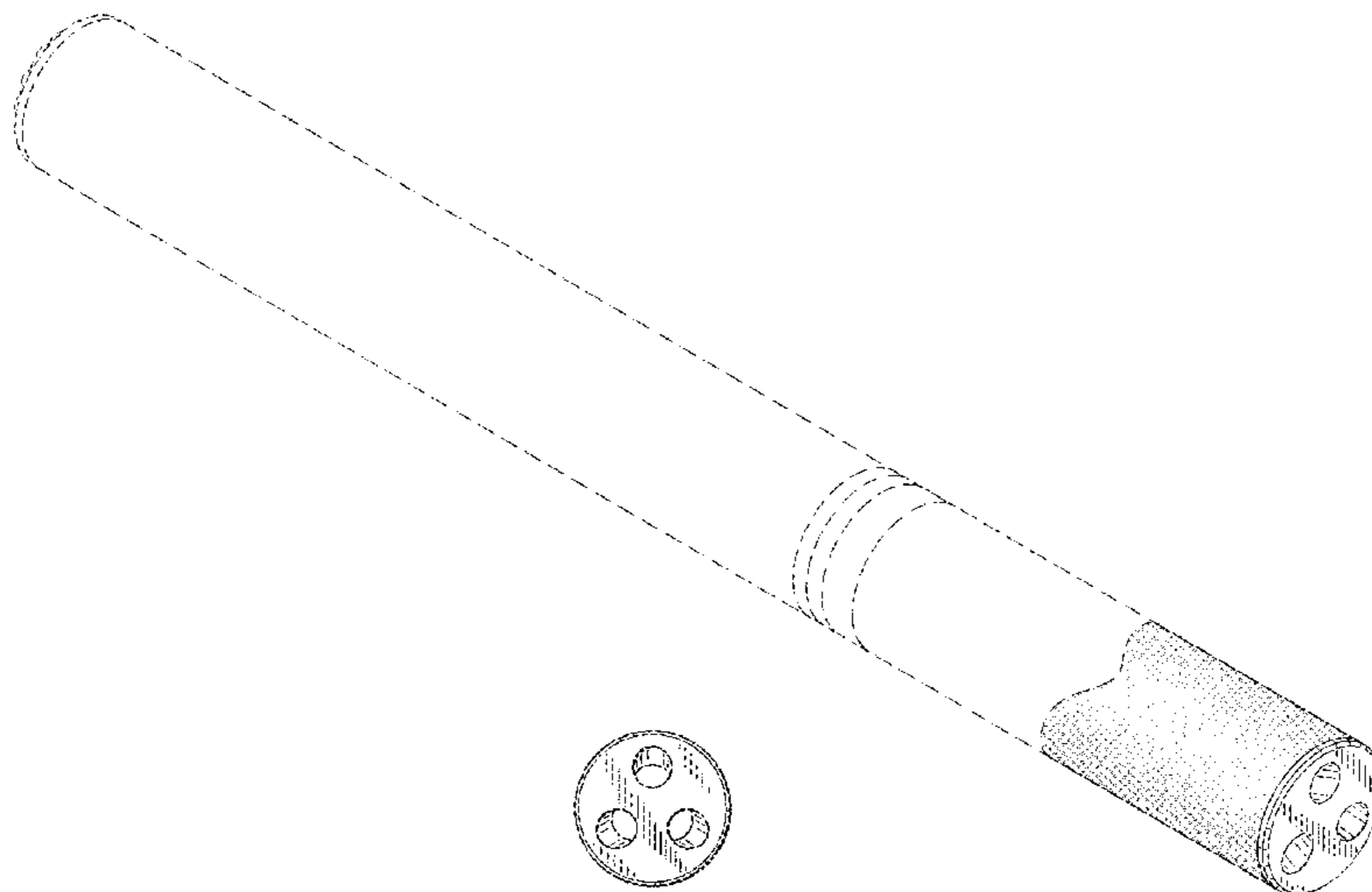
FIG. 1 is a perspective view of an electronic smoking article showing our new design.

FIG. 2 is side elevational view thereof, the other side being a mirror image; and,

FIG. 3 is an end elevational view thereof.

The broken line showing illustrates portions of the electronic smoking article which form no part of the claimed design.

1 Claim, 2 Drawing Sheets



(56)

References Cited

U.S. PATENT DOCUMENTS

2,836,183	A *	5/1958	Fay et al.	131/270	5,159,940	A	11/1992	Hayward et al.	
2,907,686	A	10/1959	Siegel		5,179,966	A	1/1993	Losee et al.	
2,971,039	A	2/1961	Western		5,224,498	A	7/1993	Deevi et al.	
2,972,557	A	2/1961	Toulmin, Jr.		5,228,460	A	7/1993	Sprinkel et al.	
2,974,669	A	3/1961	Ellis		5,235,157	A	8/1993	Blackburn	
3,062,218	A	11/1962	Temkovits		5,249,586	A	10/1993	Morgan et al.	
3,200,819	A	8/1965	Gilbert		5,269,327	A *	12/1993	Counts et al.	131/194
3,255,760	A	6/1966	Selker		5,274,214	A	12/1993	Blackburn	
3,258,015	A	6/1966	Ellis et al.		5,285,050	A	2/1994	Blackburn	
3,356,094	A	12/1967	Ellis et al.		5,322,075	A	6/1994	Deevi et al.	
3,363,633	A	1/1968	Weber		5,353,813	A	10/1994	Deevi et al.	
3,402,723	A	9/1968	Hu		5,369,723	A	11/1994	Counts et al.	
3,482,580	A	12/1969	Hollabaugh		5,388,594	A	2/1995	Counts et al.	
3,559,300	A	2/1971	Fox		5,396,911	A	3/1995	Casey, III et al.	
3,587,573	A *	6/1971	Flack	128/203.21	5,408,574	A	4/1995	Deevi et al.	
3,608,560	A	9/1971	Briskin et al.		5,473,251	A	12/1995	Howell et al.	
3,681,018	A	8/1972	Karl-Georg Knauff		5,498,855	A	3/1996	Deevi et al.	
3,738,374	A	6/1973	Bennett		5,505,214	A	4/1996	Collins et al.	
3,744,496	A	7/1973	McCarty et al.		5,591,368	A	1/1997	Fleischhauer et al.	
D229,725	S *	12/1973	Berger	D27/101	5,595,706	A	1/1997	Sikka et al.	
D229,788	S *	1/1974	Berger	D27/101	5,611,360	A *	3/1997	Tang	131/194
D229,789	S *	1/1974	Berger	D27/101	5,613,504	A	3/1997	Collins et al.	
D229,790	S *	1/1974	Berger	D27/101	5,724,997	A	3/1998	Smith et al.	
3,789,840	A *	2/1974	Rosenblatt	131/273	5,865,185	A	2/1999	Collins et al.	
3,804,100	A	4/1974	Fariello		5,878,752	A	3/1999	Adams et al.	
3,875,476	A	4/1975	Crandall et al.		5,935,975	A	8/1999	Rose et al.	
3,878,041	A	4/1975	Leitnaker et al.		6,155,268	A	12/2000	Takeuchi	
3,889,690	A	6/1975	Guarnieri		6,196,218	B1	3/2001	Voges	
3,895,219	A	7/1975	Richerson et al.		D453,854	S *	2/2002	Verhoeven-Koster	D27/101
3,943,941	A	3/1976	Boyd et al.		6,598,607	B2	7/2003	Adiga et al.	
D240,541	S *	7/1976	Rupert	D27/101	6,715,487	B2	4/2004	Nichols et al.	
4,016,061	A	4/1977	Wasa et al.		6,772,756	B2	8/2004	Shayan	
4,068,672	A	1/1978	Guerra		6,854,470	B1	2/2005	Pu	
4,077,784	A	3/1978	Vayrynen		7,131,599	B2	11/2006	Katase	
4,083,372	A	4/1978	Boden		7,167,641	B2	1/2007	Tam et al.	
4,098,725	A	7/1978	Yamamoto et al.		7,458,374	B2	12/2008	Hale et al.	
4,110,260	A	8/1978	Yamamoto et al.		D590,988	S	4/2009	Hon	
4,131,119	A	12/1978	Blasutti		D590,989	S	4/2009	Hon	
4,141,369	A	2/1979	Burruss		D590,990	S	4/2009	Hon	
4,164,230	A	8/1979	Pearlman		D590,991	S	4/2009	Hon	
4,193,411	A	3/1980	Faris et al.		D613,902	S *	4/2010	Kaljura	D27/101
4,215,708	A	8/1980	Bron		7,726,320	B2	6/2010	Robinson et al.	
4,219,032	A	8/1980	Tabatznik et al.		7,789,089	B2	9/2010	Dube et al.	
4,246,913	A	1/1981	Ogden et al.		7,810,508	B2	10/2010	Wyss-Peters et al.	
4,256,945	A	3/1981	Carter et al.		7,832,410	B2	11/2010	Hon	
4,259,970	A	4/1981	Green, Jr.		7,845,359	B2	12/2010	Montaser	
4,331,166	A	5/1982	Hale		7,878,962	B2	2/2011	Karles et al.	
D270,097	S *	8/1983	Minkevitch	D27/127	7,938,124	B2	5/2011	Izumiya et al.	
4,419,302	A	12/1983	Nishino et al.		7,997,280	B2	8/2011	Rosenthal	
4,457,319	A	7/1984	Lamb et al.		D646,431	S *	10/2011	Awty et al.	D27/194
4,493,331	A	1/1985	Porenski, Jr.		D651,338	S *	12/2011	Awty et al.	D27/194
4,517,996	A	5/1985	Vester		8,079,371	B2	12/2011	Robinson et al.	
4,649,944	A	3/1987	Houck, Jr. et al.		D652,987	S *	1/2012	Kaljura	D27/101
4,687,008	A	8/1987	Houck, Jr. et al.		D653,390	S *	1/2012	Kaljura	D27/101
4,765,347	A	8/1988	Sensabaugh et al.		D653,802	S *	2/2012	Kaljura	D27/101
4,804,002	A	2/1989	Herron		D655,036	S	2/2012	Zhou	
4,941,486	A	7/1990	Dube et al.		8,118,161	B2	2/2012	Guerrera et al.	
4,945,929	A	8/1990	Egilmex		8,127,772	B2	3/2012	Montaser	
4,981,522	A	1/1991	Nichols et al.		8,156,944	B2	4/2012	Han	
4,991,606	A	2/1991	Serrano et al.		8,157,918	B2	4/2012	Becker et al.	
5,016,656	A	5/1991	McMurtrie		8,205,622	B2	6/2012	Pan	
5,040,552	A	8/1991	Nystrom et al.		8,314,591	B2	11/2012	Terry et al.	
5,042,510	A *	8/1991	Curtiss et al.	131/273	8,495,998	B2 *	7/2013	Schennum	128/200.23
5,045,237	A	9/1991	Washburn		D691,324	S *	10/2013	Saliman	D27/101
5,060,671	A	10/1991	Counts et al.		D691,765	S *	10/2013	Tucker et al.	D27/101
5,076,296	A	12/1991	Schleich et al.		D691,766	S *	10/2013	Tucker et al.	D27/170
5,085,804	A	2/1992	Washburn		D692,613	S *	10/2013	Morreale	D27/170
5,093,894	A	3/1992	Deevi et al.		8,550,068	B2 *	10/2013	Terry et al.	128/202.21
5,095,921	A	3/1992	Losee et al.		D695,449	S *	12/2013	Tucker et al.	D27/101
5,116,298	A	5/1992	Bondanelli et al.		2002/0005207	A1 *	1/2002	Wrenn et al.	131/194
5,137,578	A	8/1992	Chan		2004/0020500	A1	2/2004	Wrenn et al.	
5,139,594	A	8/1992	Rabin		2004/0099266	A1	5/2004	Cross et al.	
5,144,962	A	9/1992	Counts et al.		2005/0016550	A1	1/2005	Katase	
5,144,964	A	9/1992	Demain		2005/0016553	A1	1/2005	Iannuzzi	
5,157,242	A	10/1992	Hetherington et al.		2005/0175331	A1	8/2005	Tam et al.	
					2006/0191546	A1	8/2006	Takano et al.	
					2006/0196518	A1	9/2006	Hon	
					2006/0254604	A1 *	11/2006	Martinez Fernandez	131/273
					2007/0095357	A1	5/2007	Besso et al.	

(56)

References Cited

U.S. PATENT DOCUMENTS

2007/0267031 A1 11/2007 Hon
 2007/0267032 A1 11/2007 Shan
 2008/0092912 A1 4/2008 Robinson et al.
 2008/0230052 A1 9/2008 Montaser
 2008/0276947 A1 11/2008 Martzel
 2009/0007925 A1 1/2009 Rasouli et al.
 2009/0044816 A1 2/2009 Rasouli et al.
 2009/0126745 A1 5/2009 Hon
 2009/0151717 A1 6/2009 Bowen et al.
 2009/0162294 A1 6/2009 Werner
 2009/0188490 A1 7/2009 Han
 2009/0230117 A1 9/2009 Fernando et al.
 2009/0272379 A1 11/2009 Thorens et al.
 2010/0083959 A1 4/2010 Siller
 2010/0126505 A1 5/2010 Rinker
 2010/0206317 A1 8/2010 Albino et al.
 2010/0307518 A1 12/2010 Wang
 2011/0011396 A1 1/2011 Fang
 2011/0036346 A1 2/2011 Cohen et al.
 2011/0036363 A1 2/2011 Urtsev et al.
 2011/0088707 A1* 4/2011 Hajaligol 131/194
 2011/0094523 A1 4/2011 Thorens et al.
 2011/0120455 A1 5/2011 Murphy
 2011/0120482 A1 5/2011 Brenneise
 2011/0155153 A1 6/2011 Thorens et al.
 2011/0209717 A1 9/2011 Han
 2011/0220134 A1* 9/2011 Duke et al. 131/331
 2011/0232654 A1* 9/2011 Mass 131/273
 2011/0245493 A1 10/2011 Rabinowitz et al.
 2011/0265806 A1 11/2011 Alarcon et al.
 2011/0277756 A1 11/2011 Terry et al.
 2011/0277757 A1 11/2011 Terry et al.
 2011/0277760 A1 11/2011 Terry et al.
 2011/0277761 A1 11/2011 Terry et al.
 2011/0277764 A1 11/2011 Terry et al.
 2011/0277780 A1* 11/2011 Terry et al. 131/273
 2011/0303231 A1 12/2011 Li et al.
 2011/0304282 A1 12/2011 Li et al.
 2012/0006342 A1 1/2012 Rose et al.
 2012/0090629 A1 4/2012 Turner et al.
 2012/0111347 A1 5/2012 Hon
 2012/0118301 A1 5/2012 Montaser
 2012/0145169 A1 6/2012 Wu
 2012/0167906 A1 7/2012 Gysland
 2012/0186594 A1 7/2012 Liu
 2012/0199146 A1 8/2012 Marangos
 2012/0199663 A1 8/2012 Qiu
 2012/0211015 A1 8/2012 Li et al.
 2012/0230659 A1 9/2012 Goodman et al.
 2012/0260927 A1 10/2012 Liu
 2012/0285475 A1 11/2012 Liu
 2012/0312313 A1 12/2012 Frija
 2012/0318882 A1 12/2012 Abehasera
 2013/0014772 A1 1/2013 Liu
 2013/0019887 A1 1/2013 Liu
 2013/0032159 A1 2/2013 Capuano
 2013/0081642 A1 4/2013 Safari
 2013/0118509 A1* 5/2013 Richardson 131/280
 2013/0213418 A1* 8/2013 Tucker et al. 131/328
 2013/0213419 A1* 8/2013 Tucker et al. 131/328

FOREIGN PATENT DOCUMENTS

CN 2777995 Y 5/2006
 CN 101322579 A 12/2008
 CN 201571500 U 9/2010
 CN 201709398 U 1/2011

CN 201789924 U 4/2011
 CN 201797997 U 4/2011
 CN 102106611 A 6/2011
 CN 201860753 6/2011
 CN 102166044 A 8/2011
 CN 201986689 U 9/2011
 CN 202014571 U 10/2011
 CN 202014572 U 10/2011
 CN 202026802 U 11/2011
 CN 202026804 U 11/2011
 CN 20223305 U 5/2012
 CN 20223307 U 5/2012
 DE 3640917 8/1988
 DE 3735704 5/1989
 EP 0117355 9/1984
 EP 0277519 8/1988
 EP 0295122 12/1988
 EP 0358 002 3/1990
 EP 0358114 3/1990
 EP 0430566 6/1991
 EP 0438862 7/1991
 EP 0608783 3/1994
 EP 0845220 6/1998
 EP 0893071 1/1999
 EP 1128741 9/2001
 EP 1618803 1/2006
 EP 1736065 12/2006
 EP 2113178 11/2009
 NL 8201585 11/1982
 WO WO86/02528 5/1986
 WO WO95/02970 2/1995
 WO WO00/28843 3/2000
 WO WO2004/043175 5/2004
 WO WO2004/080216 9/2004
 WO WO2004/095955 11/2004
 WO WO2005/099494 10/2005
 WO WO2007/066374 6/2007
 WO WO2007/078273 7/2007
 WO WO2007/098337 8/2007
 WO WO2007/131449 11/2007
 WO WO2007/131450 11/2007
 WO WO2007/141668 12/2007
 WO WO2008/055423 5/2008
 WO WO2010/091593 8/2010
 WO WO2010/145468 12/2010
 WO WO2011/121326 10/2011
 WO WO2011/124033 10/2011
 WO WO2011/146372 11/2011
 WO WO2012/088675 7/2012
 WO WO2012/109371 8/2012
 WO WO2012/129787 10/2012
 WO WO2012/129812 10/2012
 WO WO2012/142293 10/2012

OTHER PUBLICATIONS

RCD 000054630-0001-000054630-0002, retrieved from internet Nov. 14, 2013, Verhoeven-Koster.
 International Search Report and Written Opinion for PCT/US13/24211 dated Apr. 19, 2013. (10 pages).
 International Search Report and Written Opinion for PCT/US13/24219 dated Apr. 22, 2013. (13 pages).
 International Search Report and Written Opinion for PCT/US13/24229 dated Apr. 22, 2013. (16 pages).
 International Search Report and Written Opinion for PCT/US13/24215 dated Apr. 22, 2013. (11 pages).
 International Search Report and Written Opinion for PCT/US13/24228 dated Apr. 9, 2013. (8 pages).

* cited by examiner

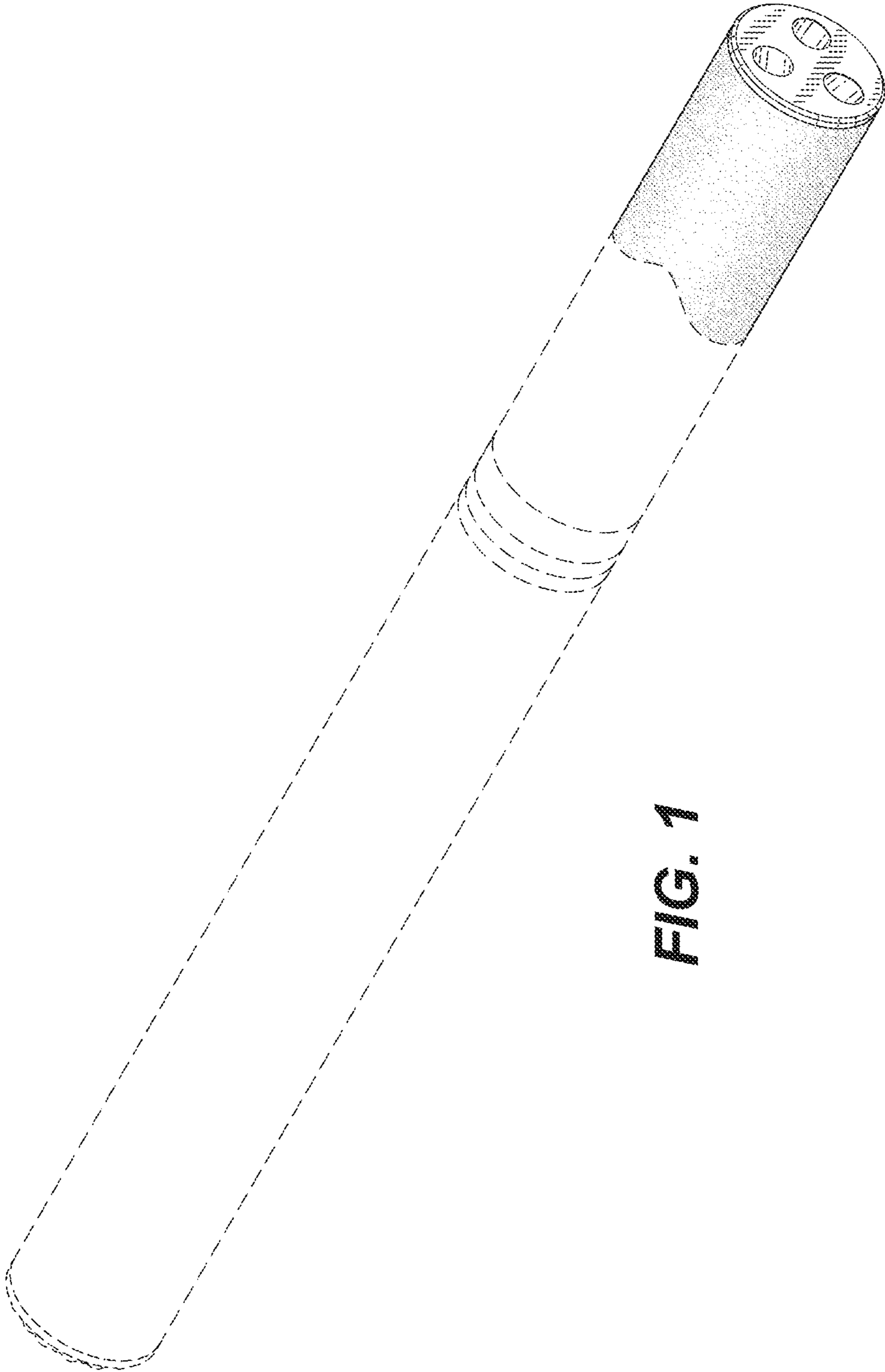


FIG. 1



FIG. 2

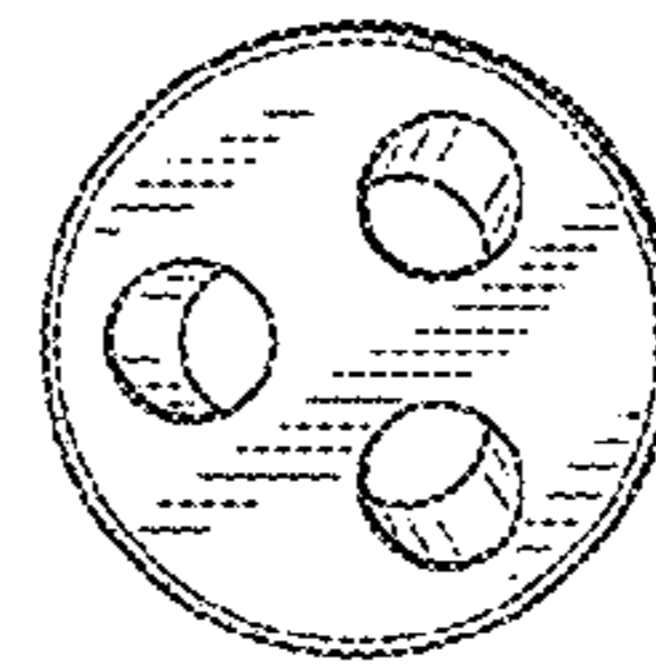


FIG. 3