



US00D722194S

(12) **United States Design Patent**
Guercio et al.

(10) **Patent No.:** **US D722,194 S**

(45) **Date of Patent:** **** Feb. 3, 2015**

(54) **CANOPY LED LIGHT FIXTURE**

(71) Applicant: **RAB Lighting Inc.**, Northvale, NJ (US)

(72) Inventors: **Vincenzo Guercio**, Wallkill, NY (US);
James Lau, New York, NY (US)

(73) Assignee: **RAB Lighting Inc.**, Northvale, NJ (US)

(**) Term: **14 Years**

(21) Appl. No.: **29/491,295**

(22) Filed: **May 20, 2014**

(51) **LOC (10) Cl.** **26-03**

(52) **U.S. Cl.**

USPC **D26/89**

(58) **Field of Classification Search**

USPC D26/28, 72, 85, 89; 362/147, 287, 373,
362/453-456

See application file for complete search history.

(56) **References Cited**

U.S. PATENT DOCUMENTS

2,701,840	A	2/1955	Carlson	
3,038,062	A *	6/1962	Liberman	362/229
D211,820	S *	7/1968	Pettengill	D26/85
D212,899	S *	12/1968	Vesely et al	D26/24
D221,181	S *	7/1971	Bobrick	D26/85
D221,351	S *	8/1971	Remington	D26/86
3,671,739	A *	6/1972	McCain	362/295
4,071,749	A *	1/1978	Balogh	362/20
D249,291	S *	9/1978	Pemberton	D26/85
4,507,719	A *	3/1985	Quiogue	362/404
D286,579	S *	11/1986	Pugh et al.	D26/85
D309,956	S *	8/1990	Sikora et al.	D26/123
D313,863	S *	1/1991	Macaluso	D26/29
5,228,773	A *	7/1993	Win	362/339
D443,713	S *	6/2001	Benensohn	D26/72
6,394,628	B1 *	5/2002	Wang	362/375
D634,055	S *	3/2011	Hokazono et al.	D26/89
D639,996	S *	6/2011	Stolte et al.	D26/89

D655,853	S *	3/2012	Kim et al.	D26/89
D686,363	S *	7/2013	Smith	D26/118
D702,393	S *	4/2014	Ansierowicz et al.	D26/89
D707,383	S *	6/2014	Carraher	D26/89
2006/0056169	A1	3/2006	Lodhie et al.	
2011/0026249	A1	2/2011	Wylde et al.	

OTHER PUBLICATIONS

Ruud Lighting Inc., PKG-304-5M-DM 304 Series LED Parking Structure—Type V Medium, Feb. 2, 2012, Racine, WI.

* cited by examiner

Primary Examiner — Clare E Heflin

(74) *Attorney, Agent, or Firm* — SmithAmundsen LLC;
Kelly J. Smith; Dennis S. Schell

(57) **CLAIM**

The ornamental design for a canopy LED light fixture, substantially as shown and described.

DESCRIPTION

FIG. 1 is a bottom perspective view of a first embodiment of the new design;

FIG. 2 is a top perspective view of the first embodiment;

FIG. 3 is a left side view of the first embodiment;

FIG. 4 is a front view of the first embodiment;

FIG. 5 is a top view of the first embodiment;

FIG. 6 is a bottom view of the first embodiment;

FIG. 7 is a bottom perspective view of a second embodiment of the new design;

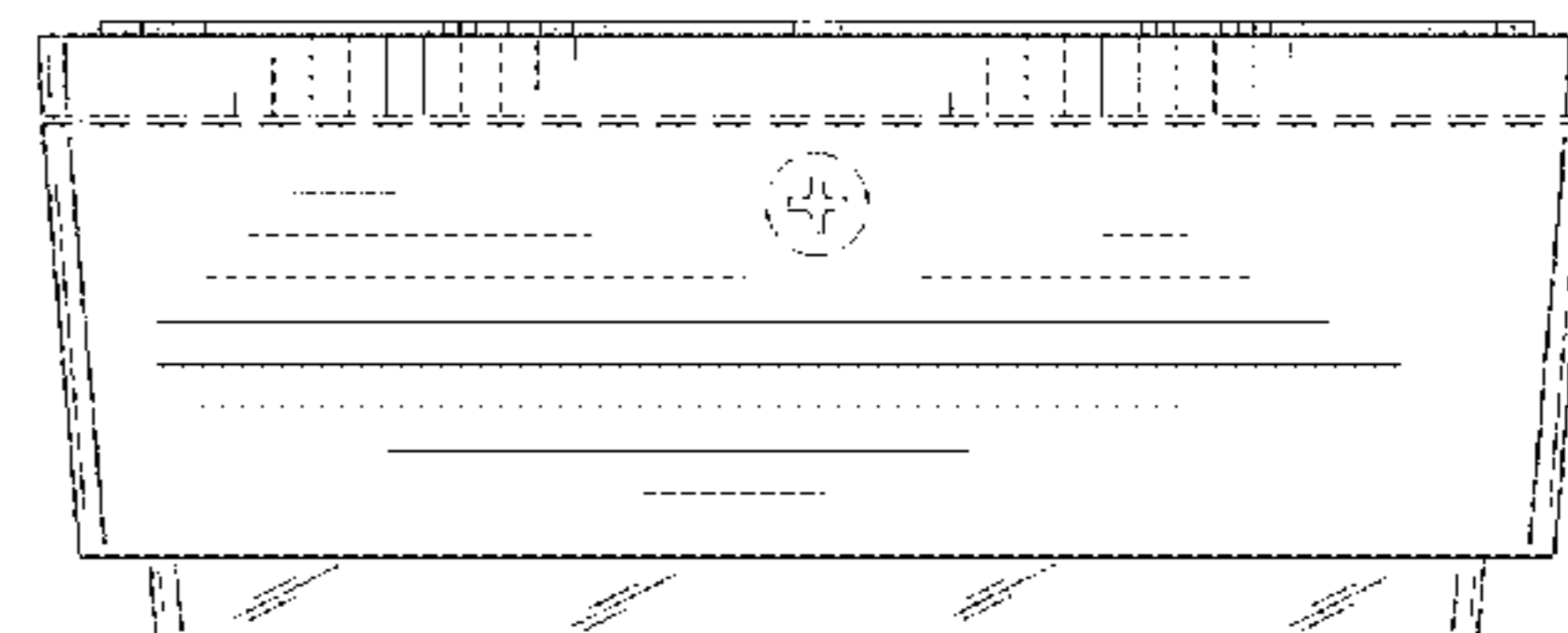
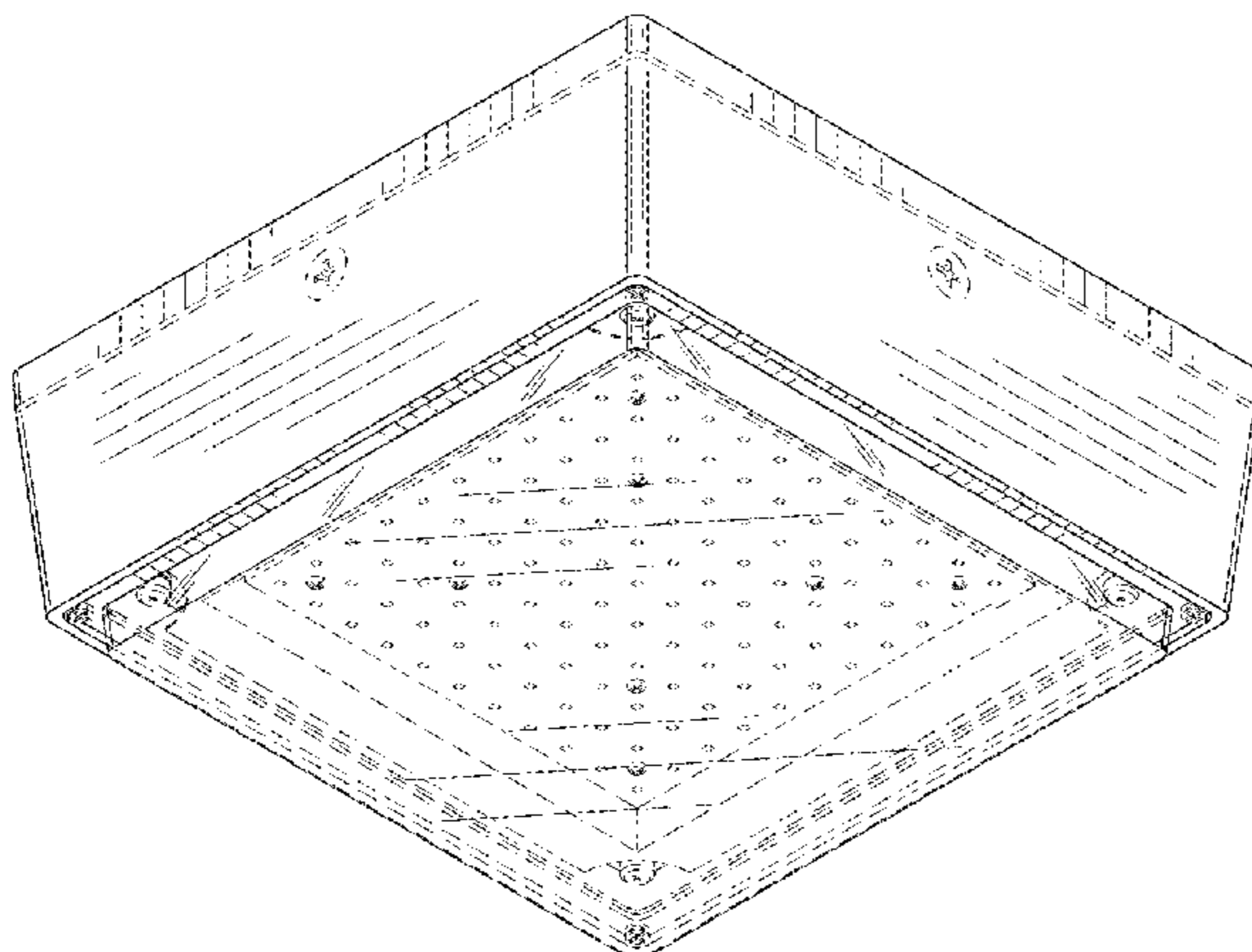
FIG. 8 is left side view of the second embodiment;

FIG. 9 is a front view of the second embodiment; and,

FIG. 10 is a bottom view of the second embodiment.

The broken lines shown in the drawings are for the purpose of illustrating portions of the article that form no part of the claimed design. For both embodiments, the right side view is identical to the left side view and the rear view is identical to the front view. Therefore, the right side view and the rear view of both embodiments are omitted. In addition, the top perspective view and top view of the second embodiment are identical to the corresponding views of the first embodiment and are therefore omitted.

1 Claim, 5 Drawing Sheets



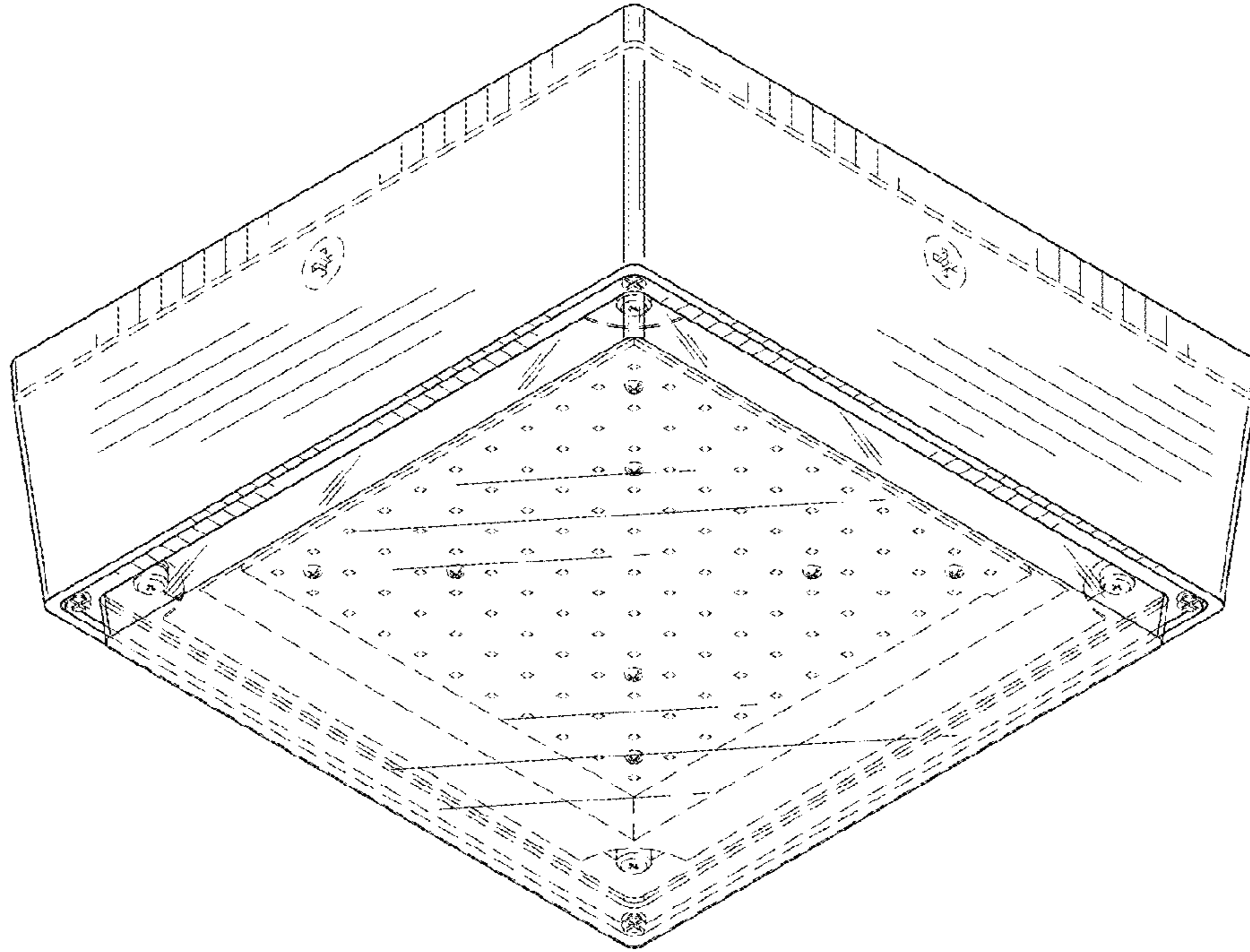


FIG. 1

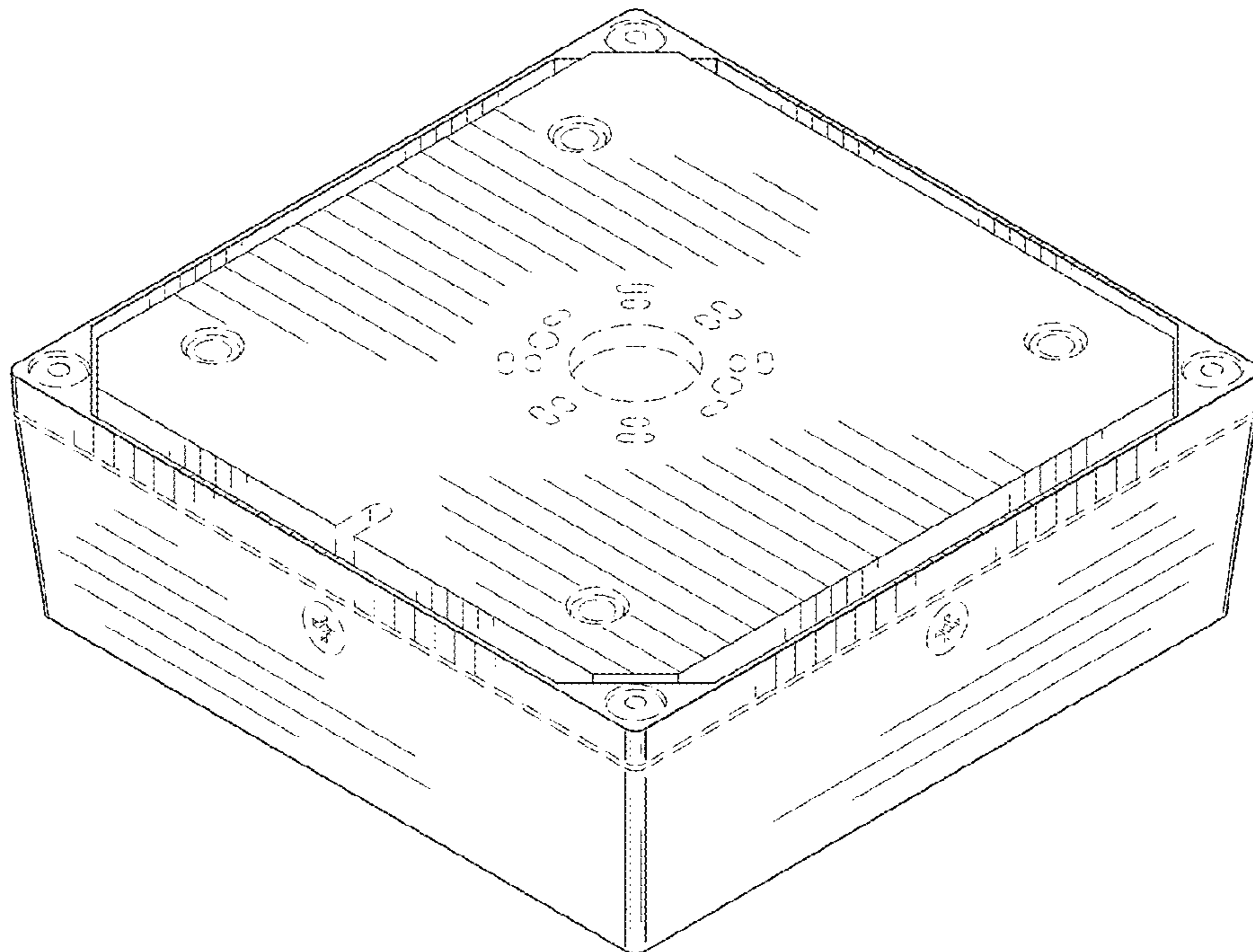


FIG. 2

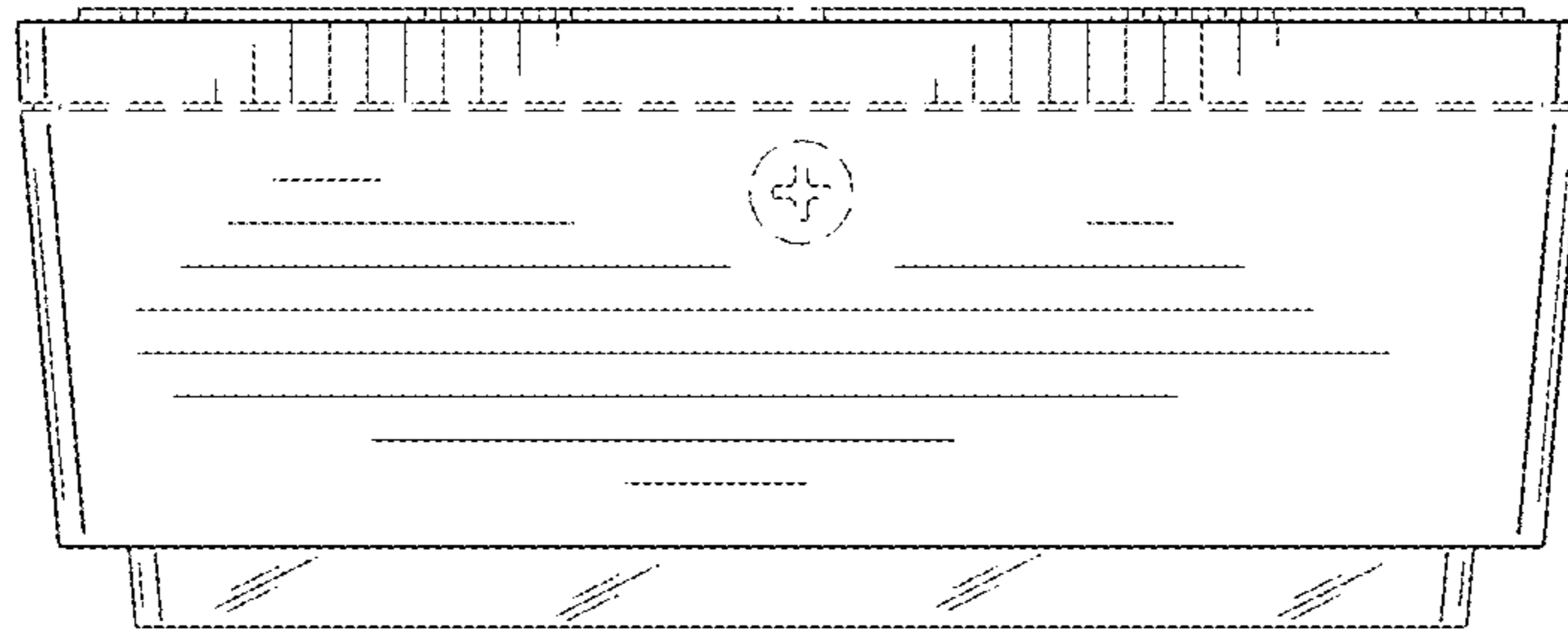


FIG. 3

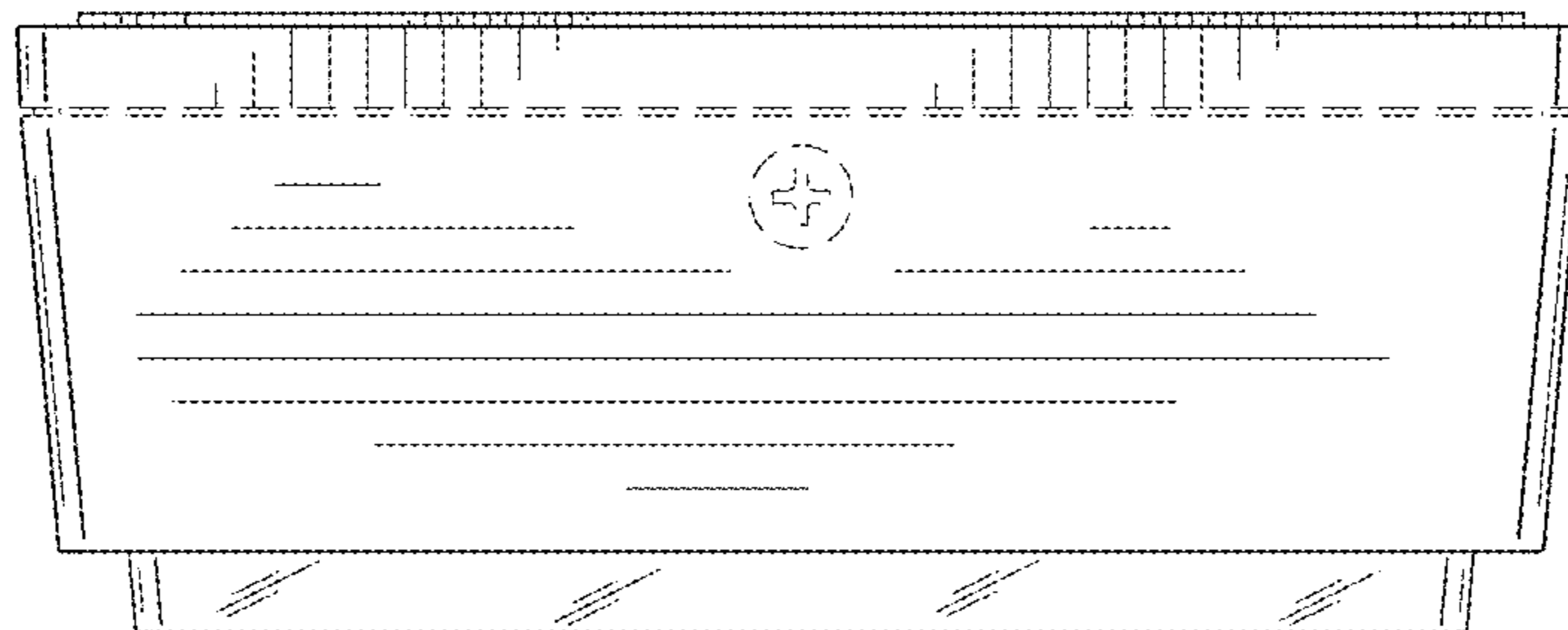


FIG. 4

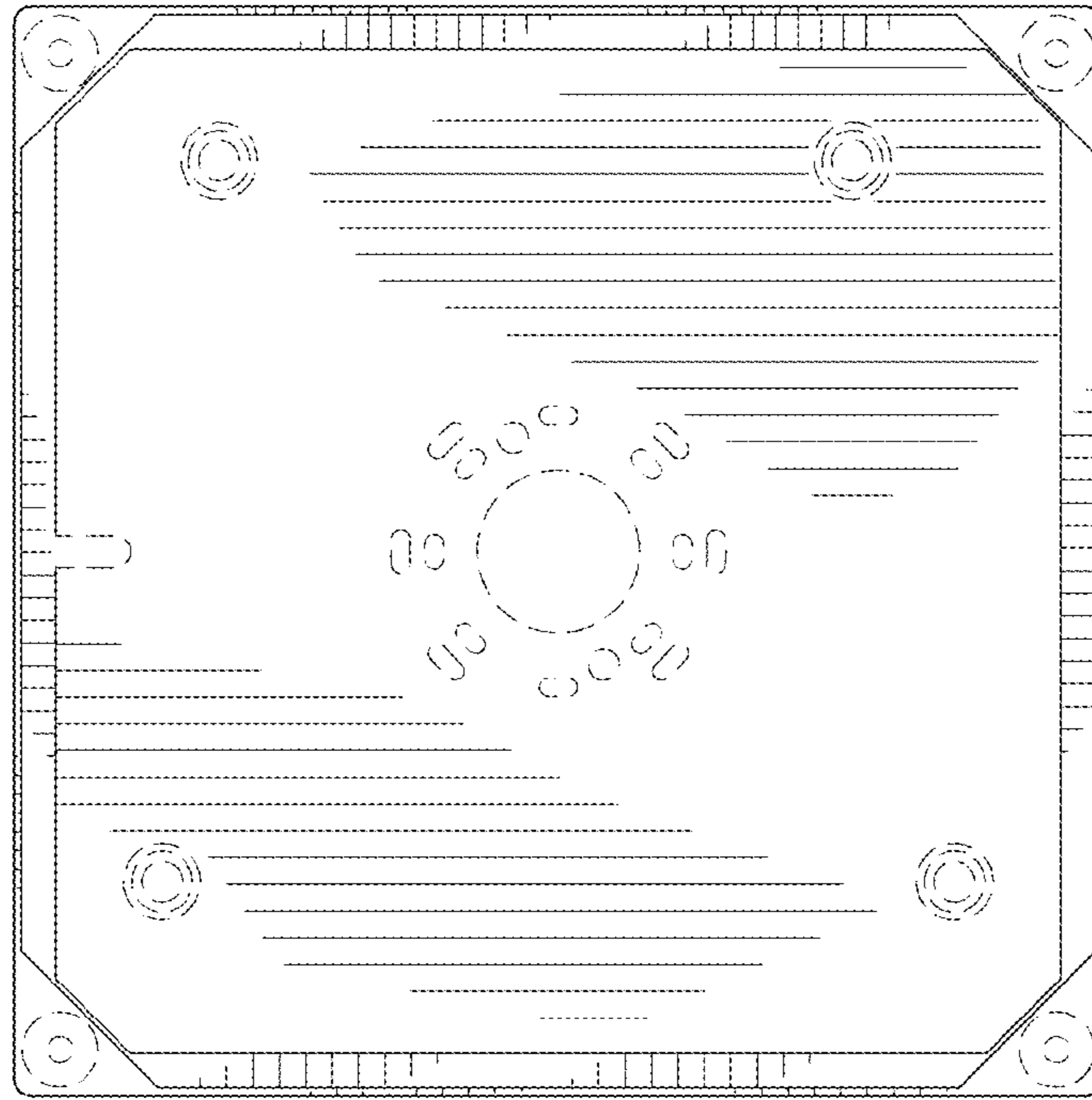


FIG. 5

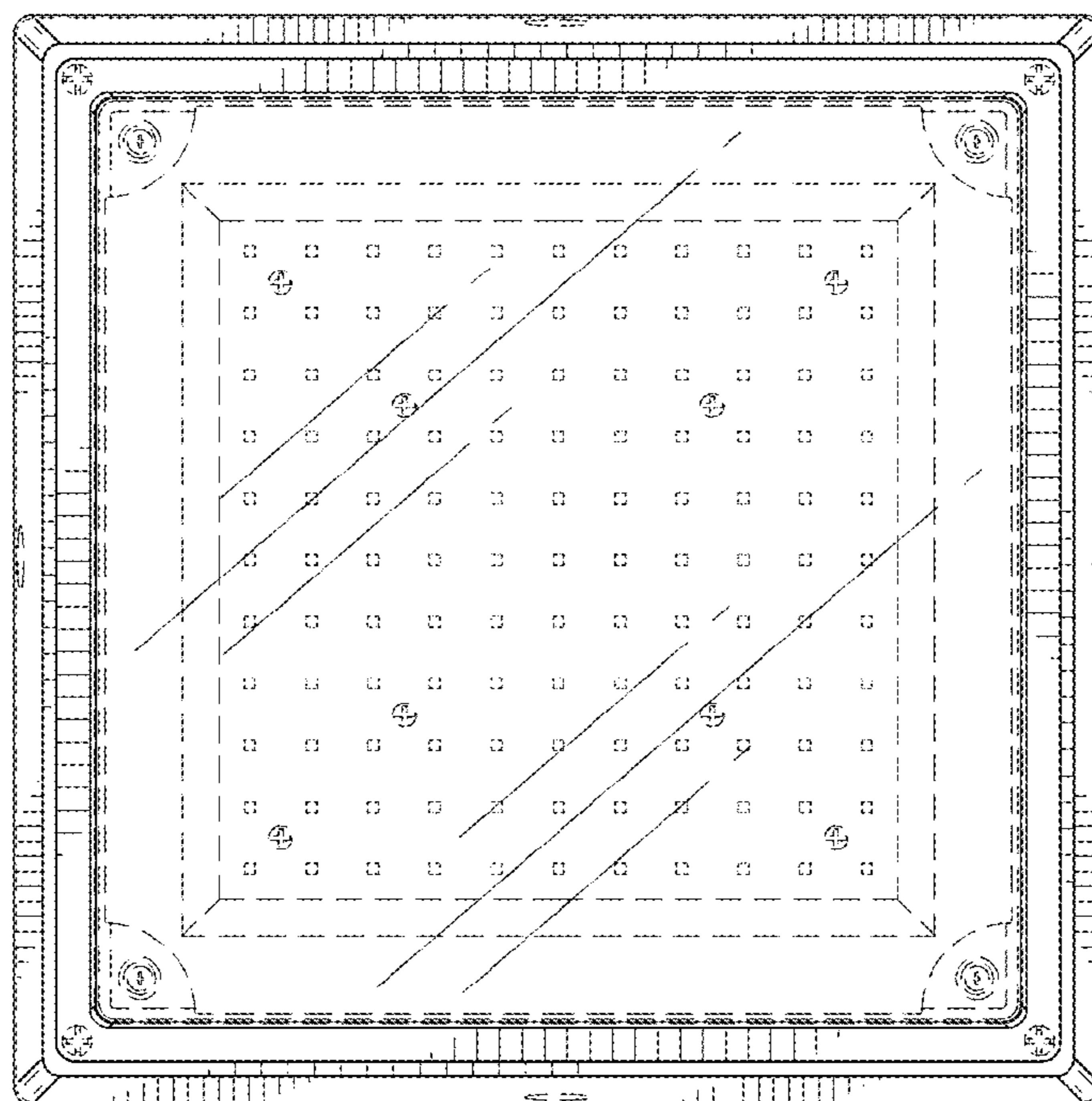


FIG. 6

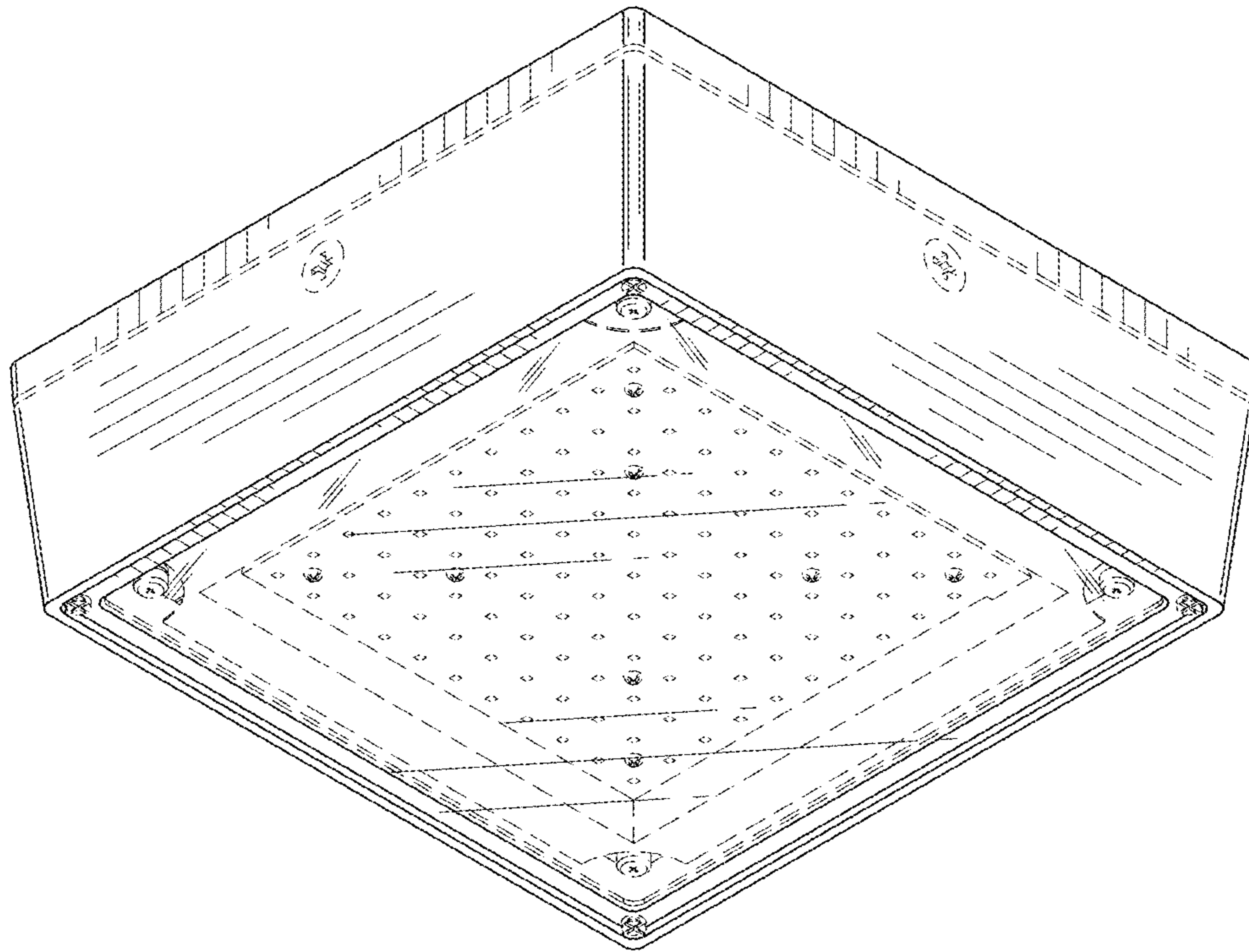


FIG. 7

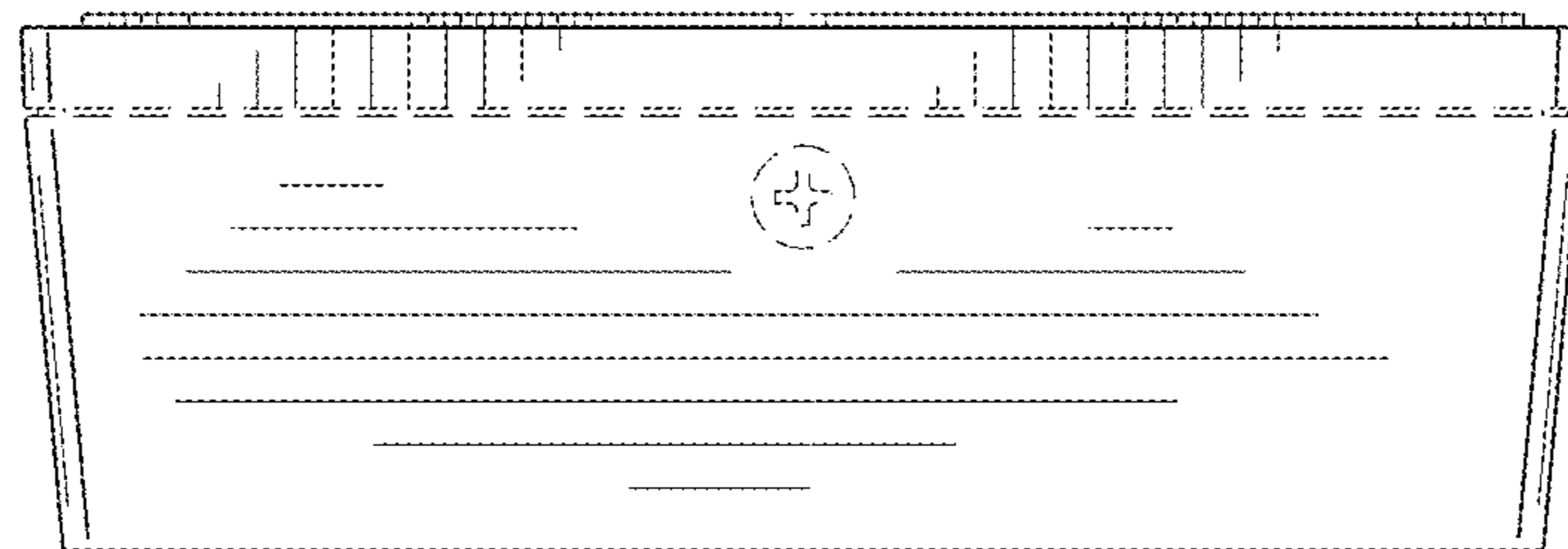


FIG. 8

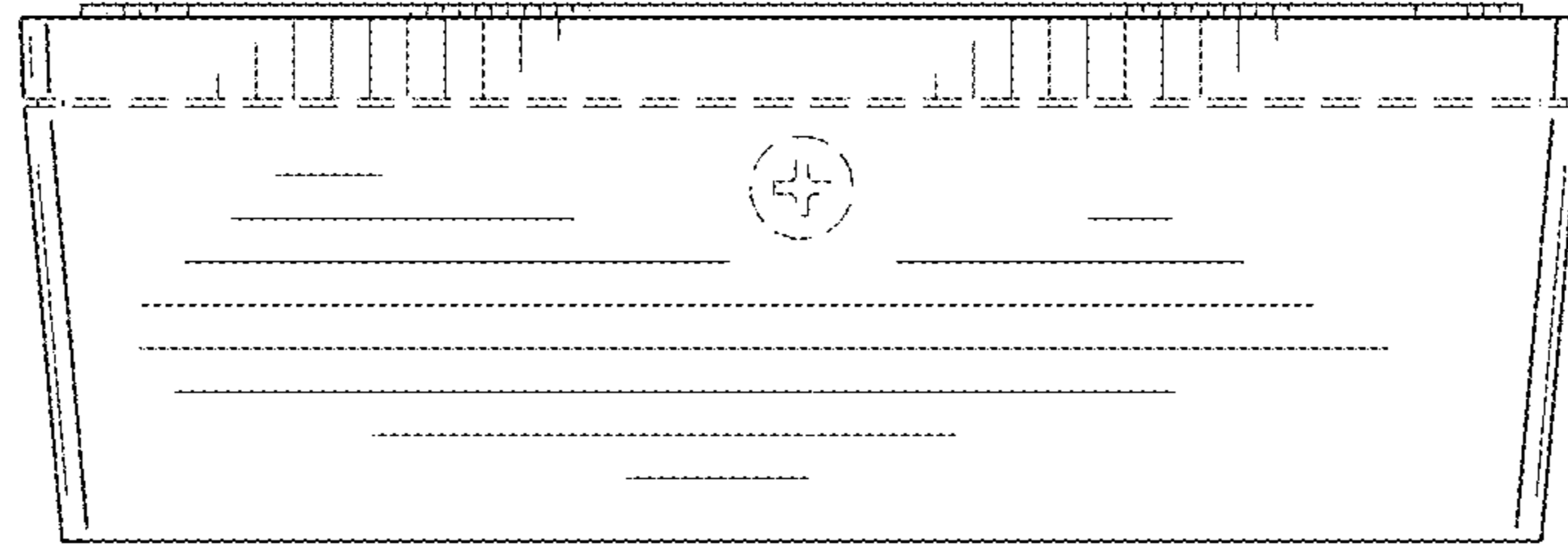


FIG. 9

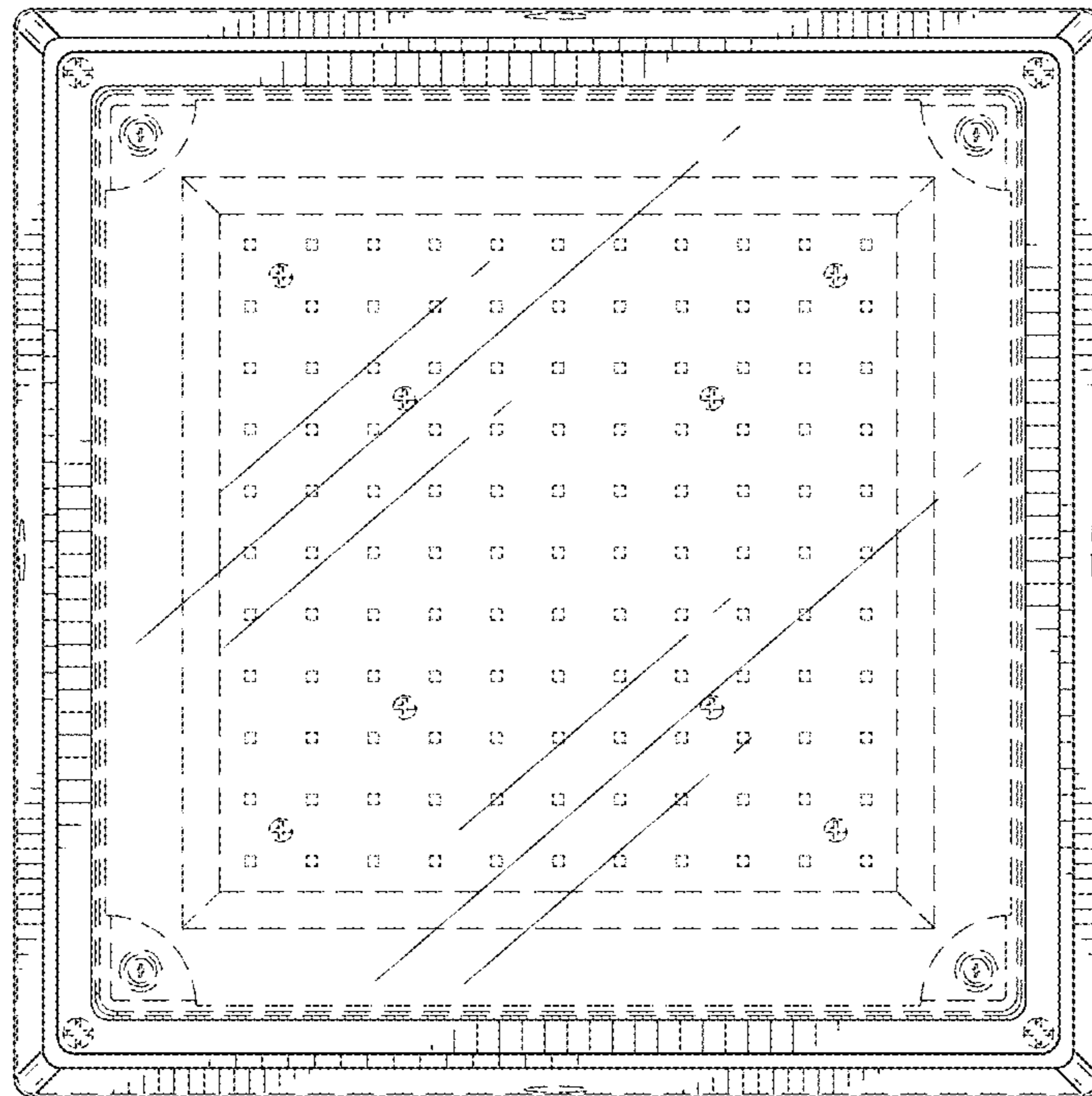


FIG. 10