



US00D722191S

(12) **United States Design Patent**  
**Sterling**

(10) **Patent No.:** **US D722,191 S**

(45) **Date of Patent:** **\*\* Feb. 3, 2015**

(54) **NOVELTY CHANDELIER SCONCE BASE**

(71) Applicant: **Lamrite West Inc.**, Strongsville, OH  
(US)

(72) Inventor: **Christi Sterling**, Plano, TX (US)

(73) Assignee: **Lamrite West Inc.**, Strongsville, OH  
(US)

(\*\*) Term: **14 Years**

(21) Appl. No.: **29/484,596**

(22) Filed: **Mar. 11, 2014**

(51) **LOC (10) Cl.** ..... **26-03**

(52) **U.S. Cl.**  
USPC ..... **D26/87; D26/143**

(58) **Field of Classification Search**  
USPC ..... D26/80–84, 86, 87, 88, 90, 143, 144,  
D26/145, 152–155; 362/147, 404–408, 431,  
362/432

See application file for complete search history.

(56) **References Cited**

**U.S. PATENT DOCUMENTS**

D60,627	S	*	3/1922	Petersen	.....	D26/145
1,492,010	A	*	4/1924	Williamson	.....	362/392
2,265,451	A	*	12/1941	Oremus et al.	.....	362/432
D340,780	S	*	10/1993	Porter	.....	D26/80
D453,048	S	*	1/2002	Orozco	.....	D26/87

D481,150	S	*	10/2003	Lee	.....	D26/81
D541,465	S	*	4/2007	Flores et al.	.....	D26/80
D629,141	S	*	12/2010	Sperling	.....	D26/87
D644,777	S	*	9/2011	Raggi	.....	D26/81
D685,946	S	*	7/2013	Vivian	.....	D26/87
D708,780	S	*	7/2014	Park	.....	D26/143

\* cited by examiner

*Primary Examiner* — Clare E Heflin

(74) *Attorney, Agent, or Firm* — Greenberg Traurig, LLP

(57) **CLAIM**

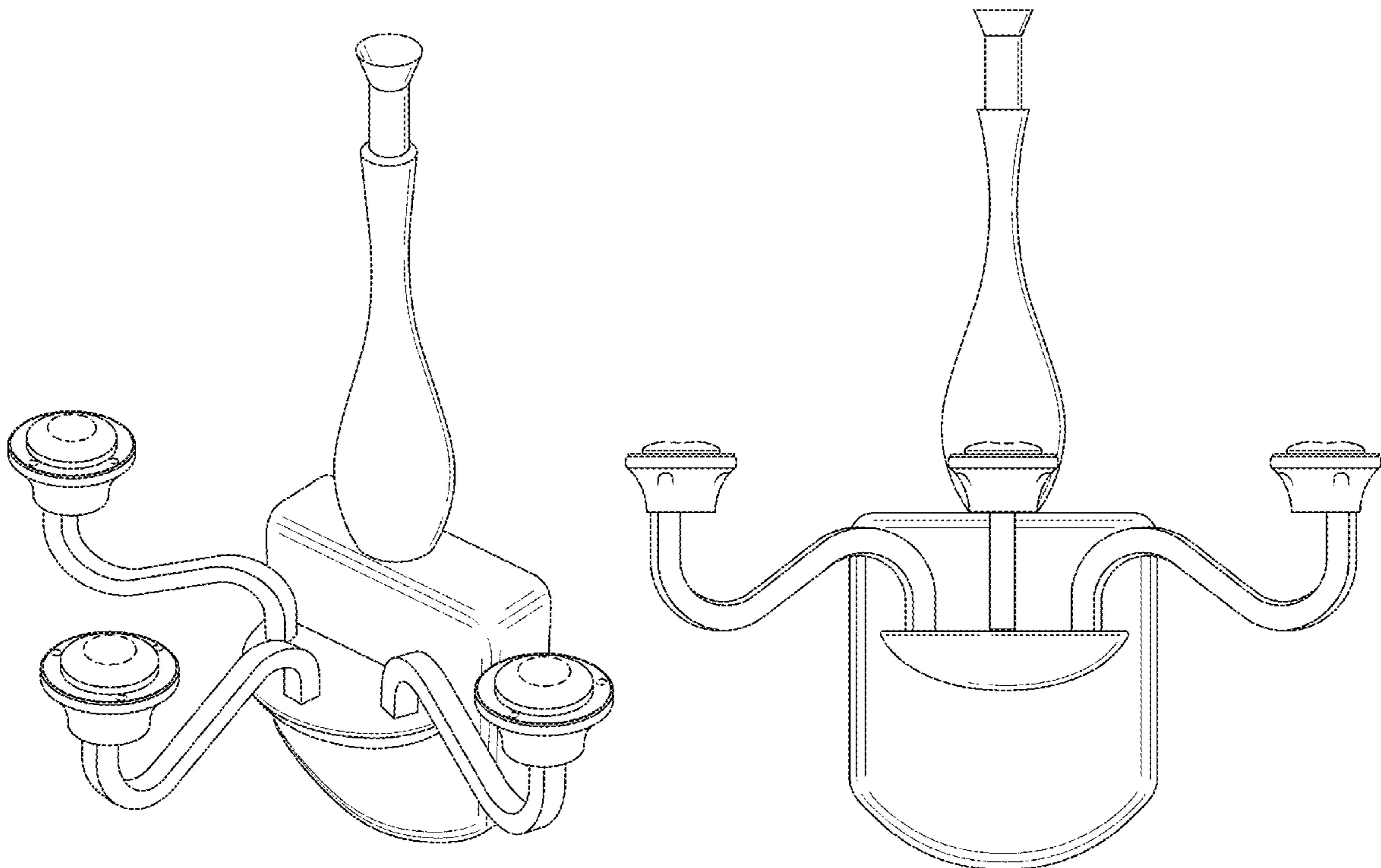
What is claimed is the ornamental design for a novelty chandelier sconce base, as shown and described.

**DESCRIPTION**

FIG. 1 is a perspective view of a novelty chandelier sconce base showing the new design;  
FIG. 2 is a front elevational view thereof;  
FIG. 3 is a rear elevational view thereof;  
FIG. 4 is a left side elevational view thereof;  
FIG. 5 is a right side elevational view thereof;  
FIG. 6 is a top plan view thereof; and,  
FIG. 7 is a bottom plan view thereof.

Any elements shown in dotted and/or dashed lines are provided for illustrative purposes only and form no part of the design claimed. Any surface shading is used solely to show the character or contour of the surfaces represented.

**1 Claim, 7 Drawing Sheets**



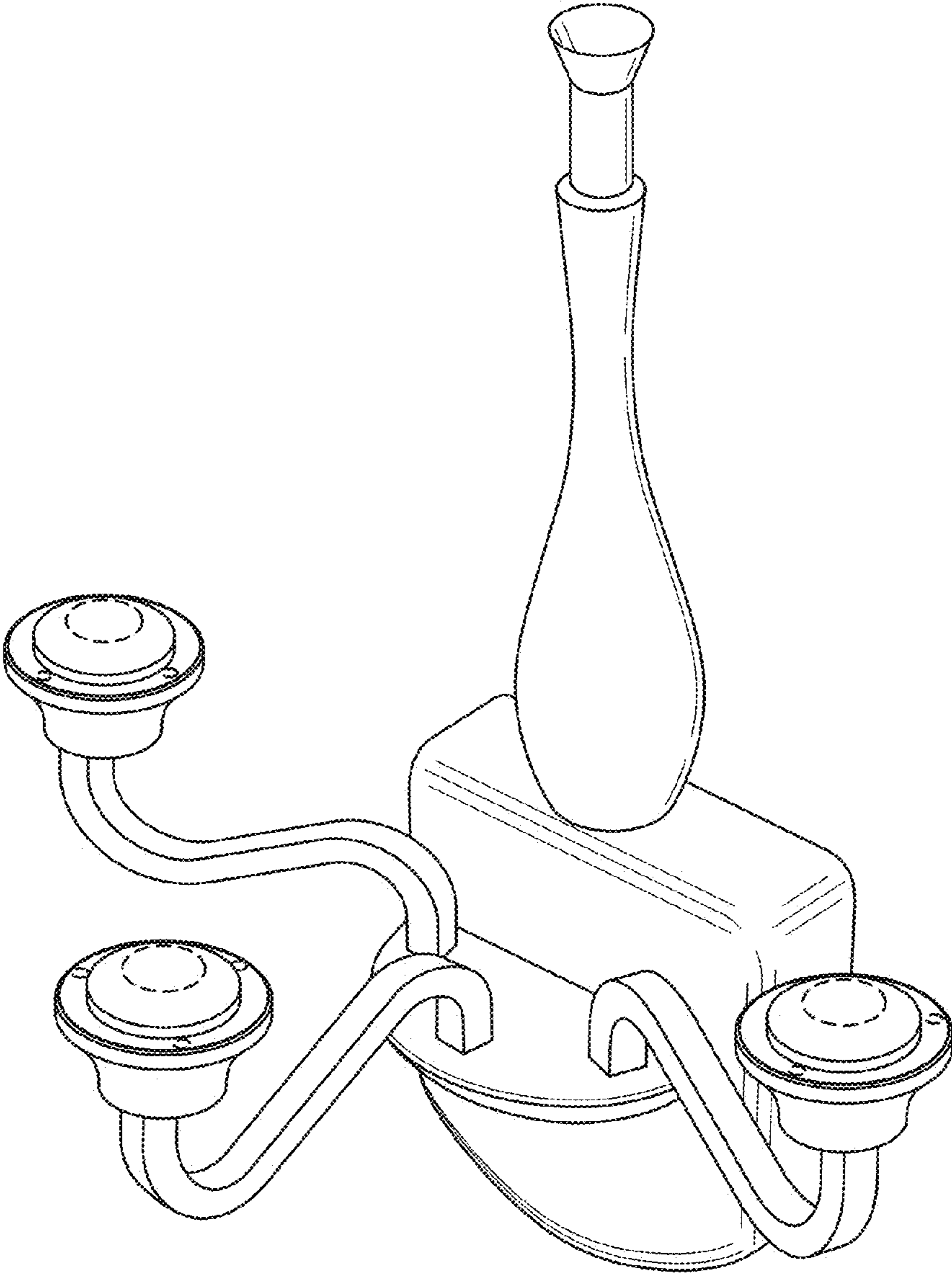


FIG. 1

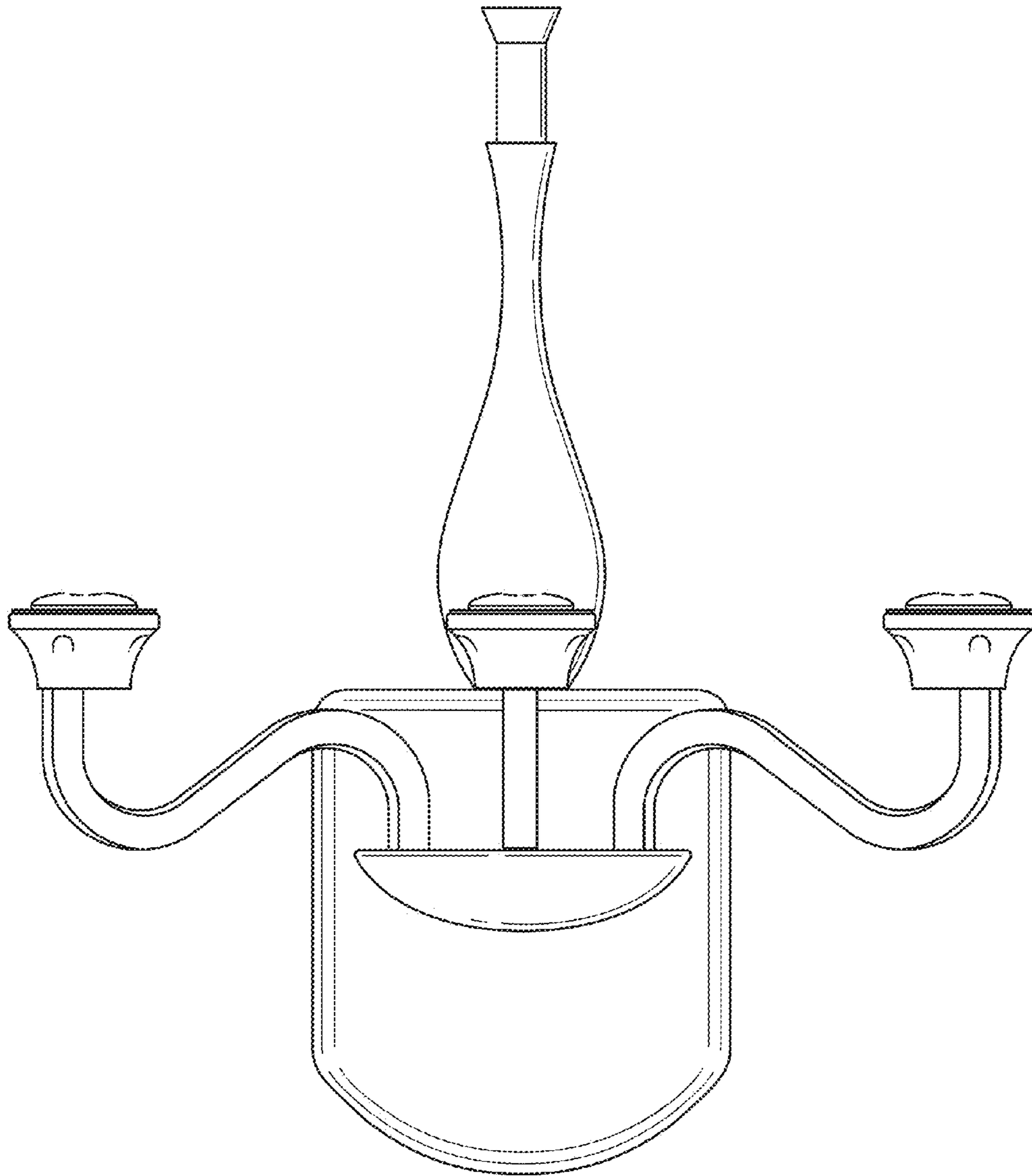


FIG. 2

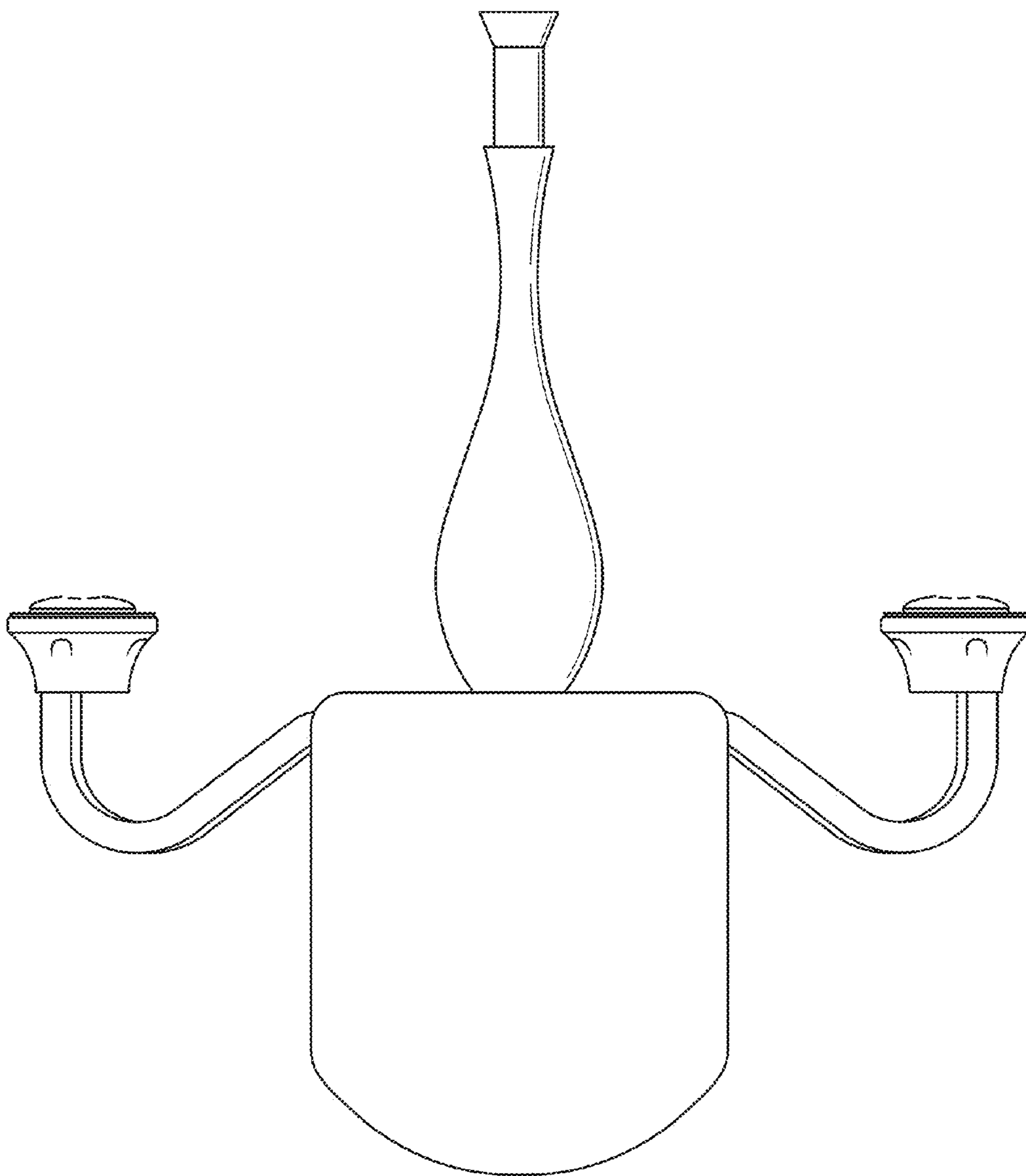


FIG. 3

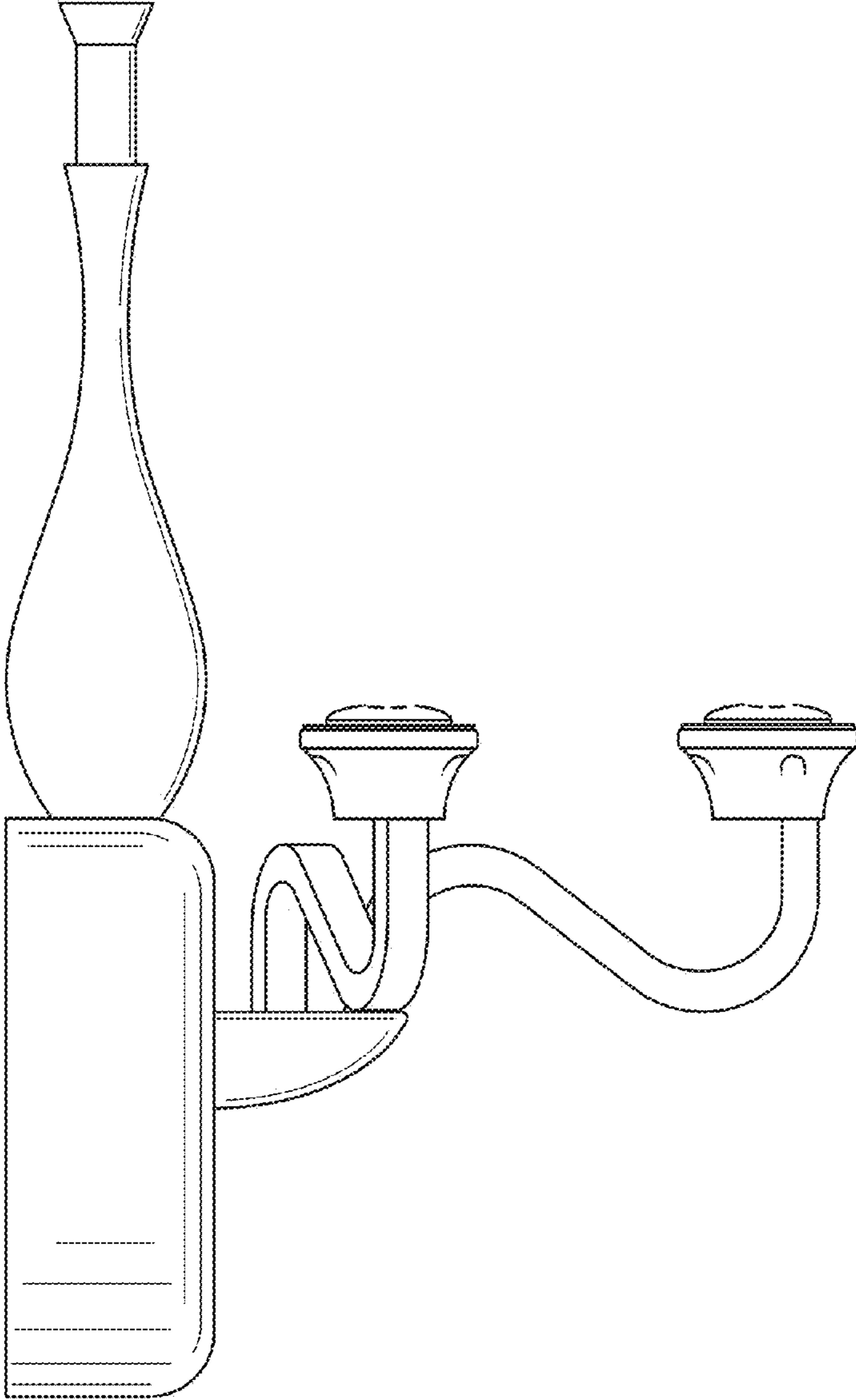


FIG. 4

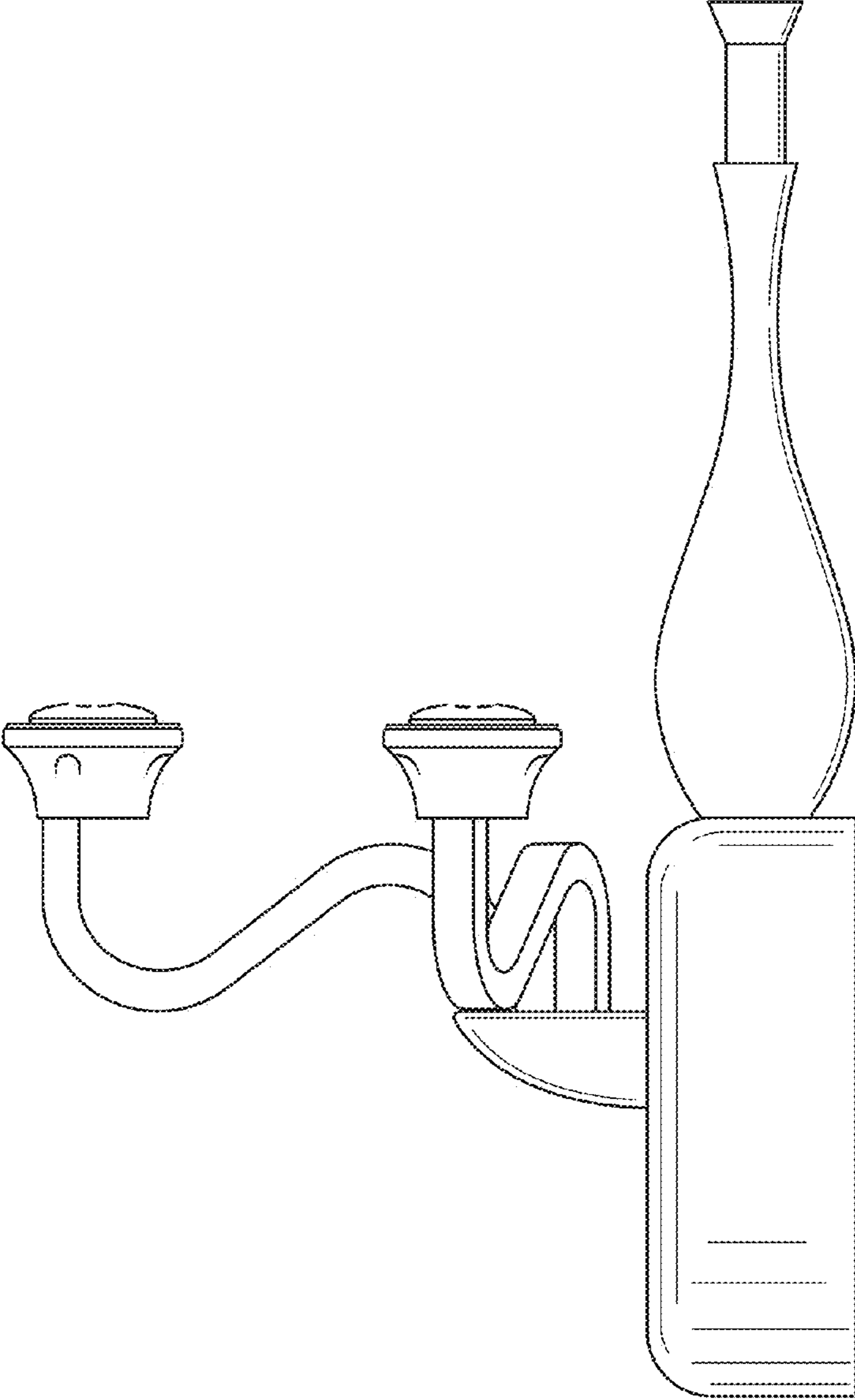


FIG. 5

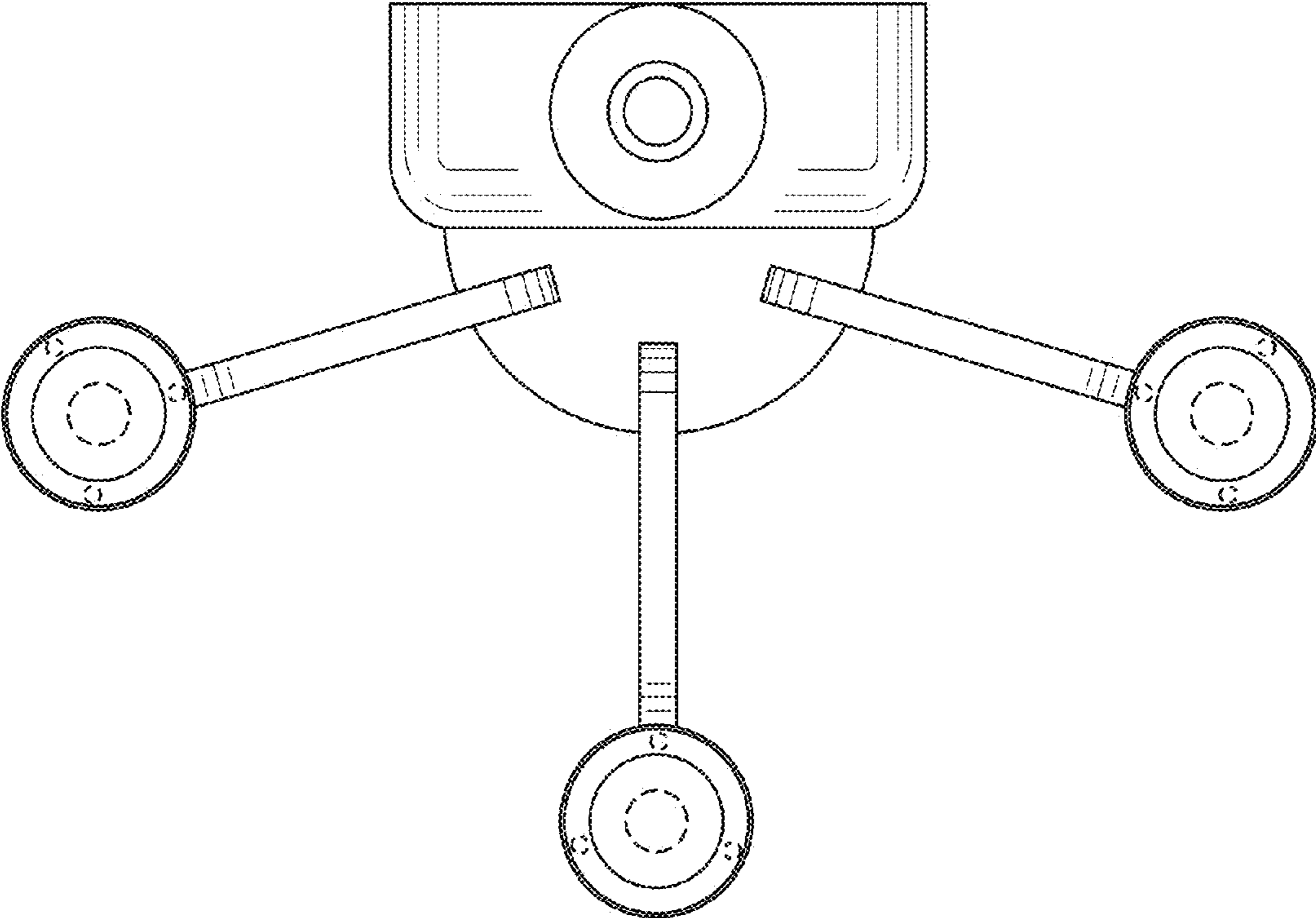


FIG. 6

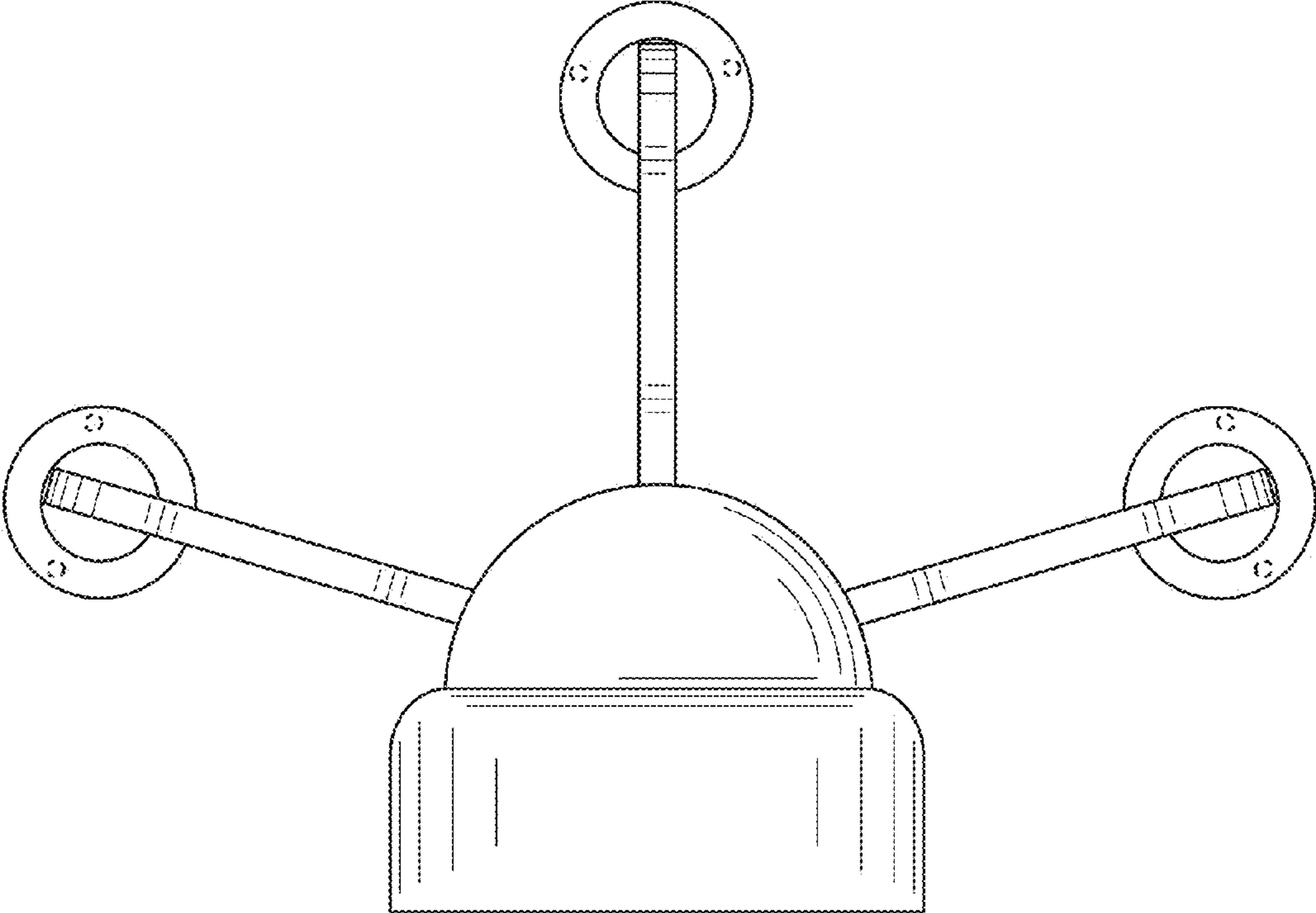


FIG. 7