

US00D722188S

(12) **United States Design Patent**
Futschik et al.

(10) **Patent No.:** **US D722,188 S**

(45) **Date of Patent:** **** Feb. 3, 2015**

(54) **HEADLIGHT FOR A VEHICLE**

(71) Applicant: **Daimler AG**, Stuttgart (DE)

(72) Inventors: **Hans-Dieter Futschik**, Gechingen (DE);
Stefan Handt, Stuttgart (DE); **Robert Lesnik**, Leonberg (DE); **Gorden Wagener**, Gaeufelden (DE)

(73) Assignee: **Daimler AG**, Stuttgart (DE)

(**) Term: **14 Years**

(21) Appl. No.: **29/468,656**

(22) Filed: **Oct. 2, 2013**

(30) **Foreign Application Priority Data**

Apr. 26, 2013 (WO) DM/080 819

(51) **LOC (10) Cl.** **26-06**

(52) **U.S. Cl.**
USPC **D26/28**

(58) **Field of Classification Search**
USPC D26/28-36; 362/459-468, 475-478,
362/485-487

See application file for complete search history.

(56) **References Cited**

U.S. PATENT DOCUMENTS

D508,136 S * 8/2005 Pfeiffer D26/28
D518,581 S * 4/2006 Osawa D26/28
D528,231 S * 9/2006 Ikeda D26/28

D535,409 S * 1/2007 Yamaguchi D26/28
D536,113 S 1/2007 Pfeiffer
D544,614 S * 6/2007 Markefka D26/28
D552,015 S 10/2007 Pfeiffer

* cited by examiner

Primary Examiner — Marcus Jackson

(74) *Attorney, Agent, or Firm* — Crowell & Moring LLP

(57) **CLAIM**

The ornamental design for a headlight for a vehicle, as shown and described.

DESCRIPTION

This application contains subject matter related to the following co-pending U.S. design patent applications:

Application Ser. No. 29/468,653, filed herewith and entitled “Vehicle, Toy, and/or Replicas Thereof”; and

Application Ser. No. 29/468,654, filed herewith and entitled “Front Portion of a Vehicle, Toy, and/or Replicas Thereof”.

FIG. 1 is a right perspective view of a first embodiment of a headlight for a vehicle according to the design;

FIG. 2 is a right side view thereof; and

FIG. 3 is a front view thereof.

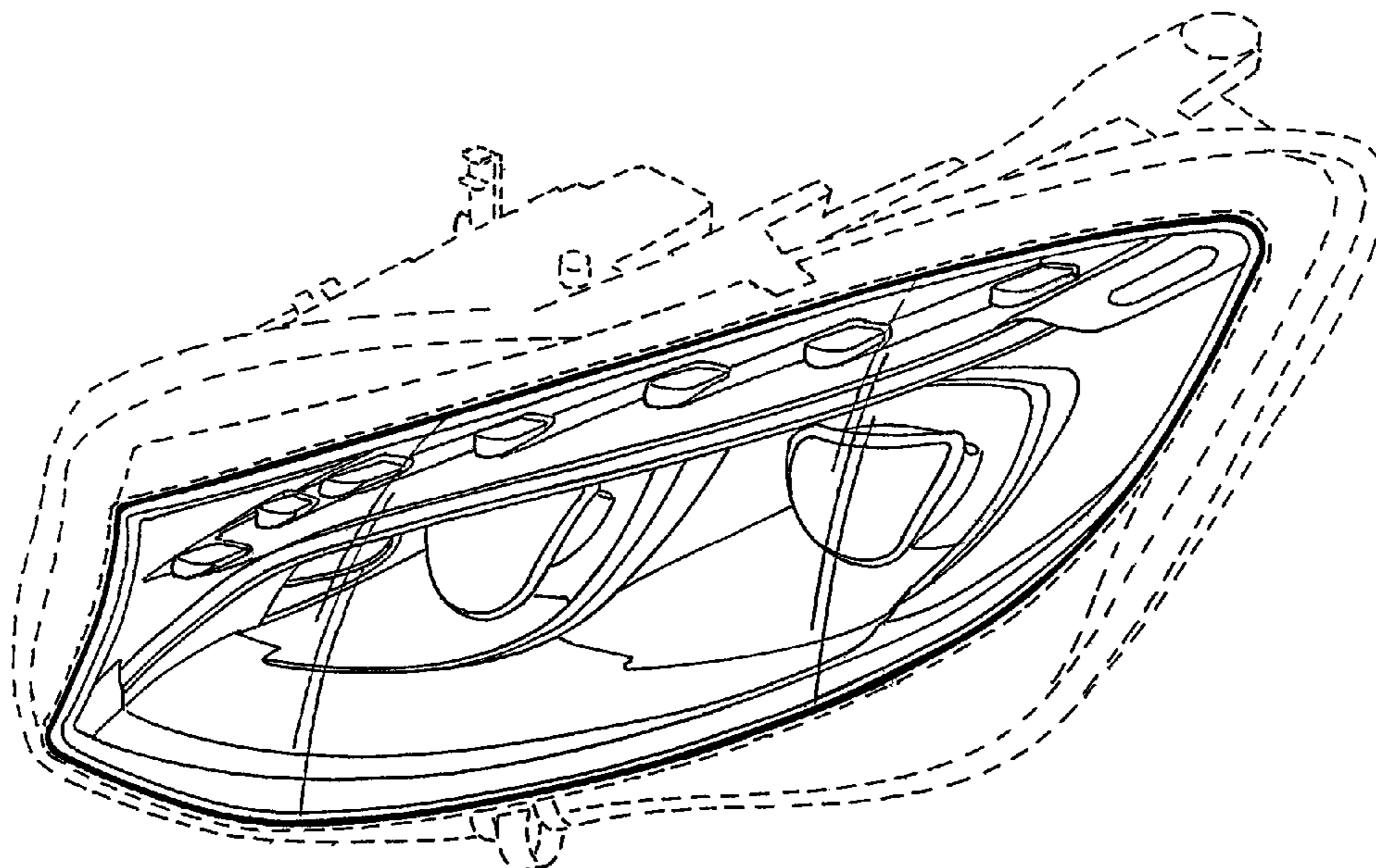
FIG. 4 is a left side perspective view of a headlight for a vehicle thereof, with the headlight for a vehicle from the opposite side of the vehicle being depicted in the first embodiment;

FIG. 5 is a left side view thereof; and,

FIG. 6 is a front view thereof.

The broken lines are for illustrative purposes only and form no part of the claimed design. Also enclosed is a set of photographs of an embodiment of the design.

1 Claim, 6 Drawing Sheets



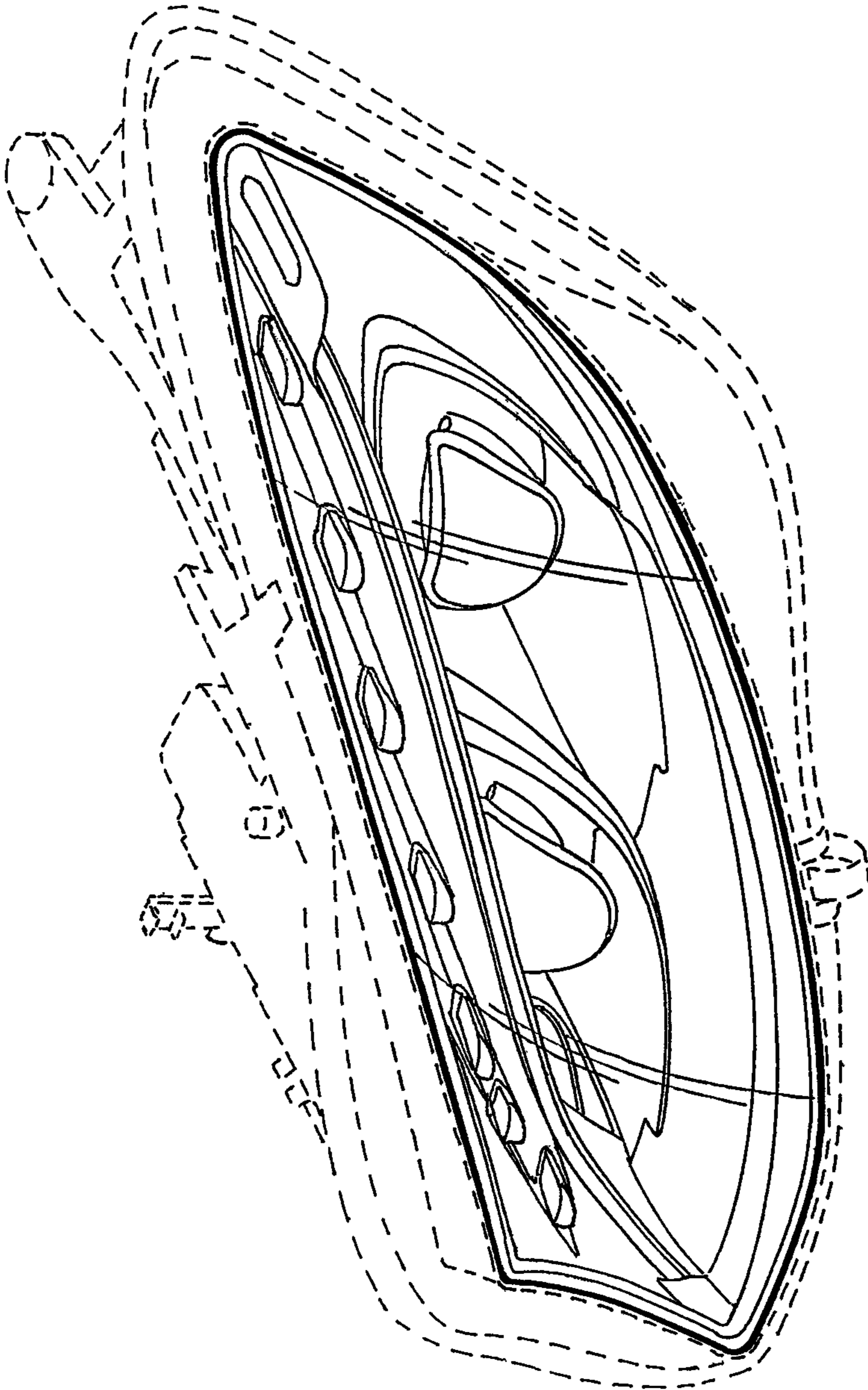


FIG. 1

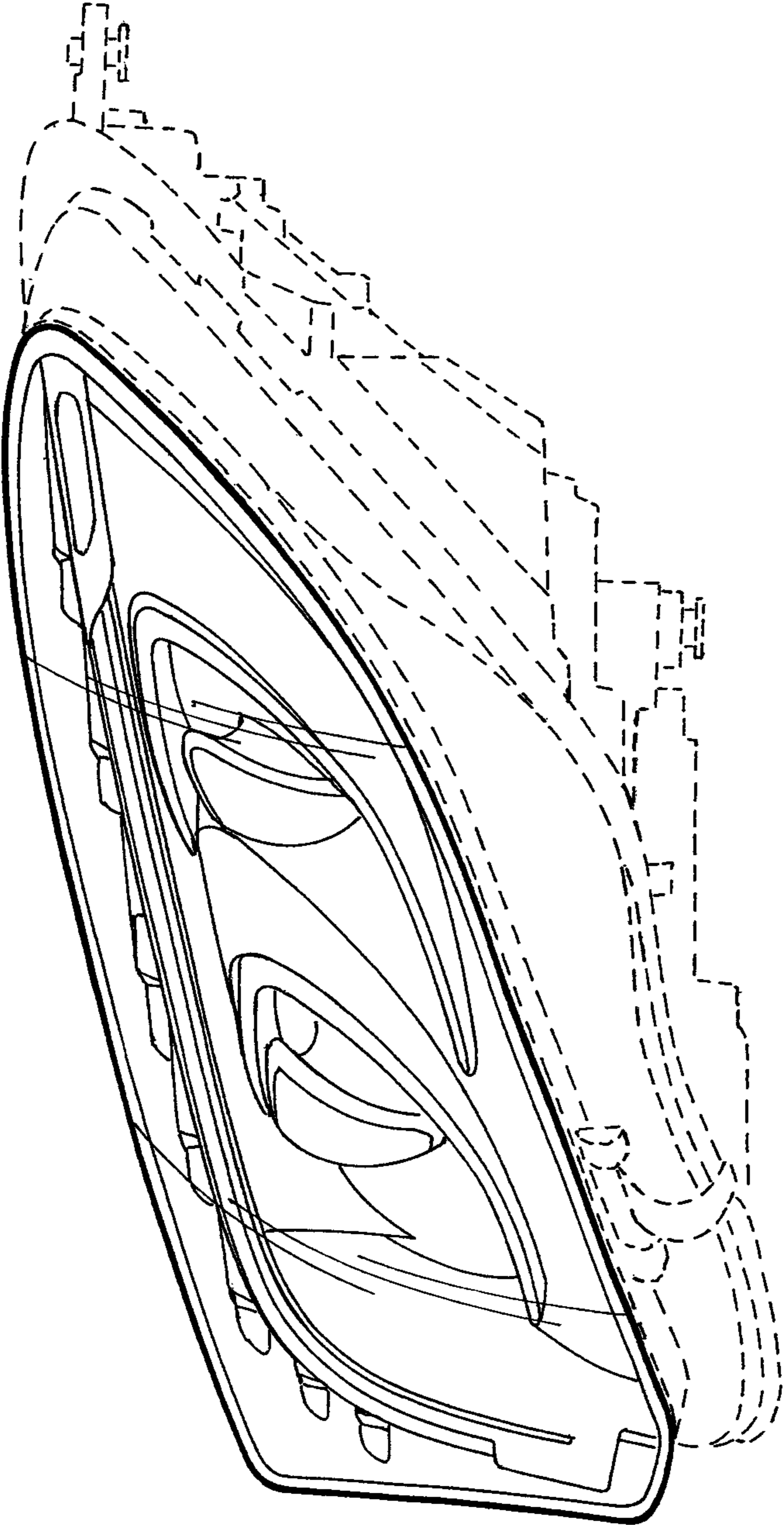


FIG. 2

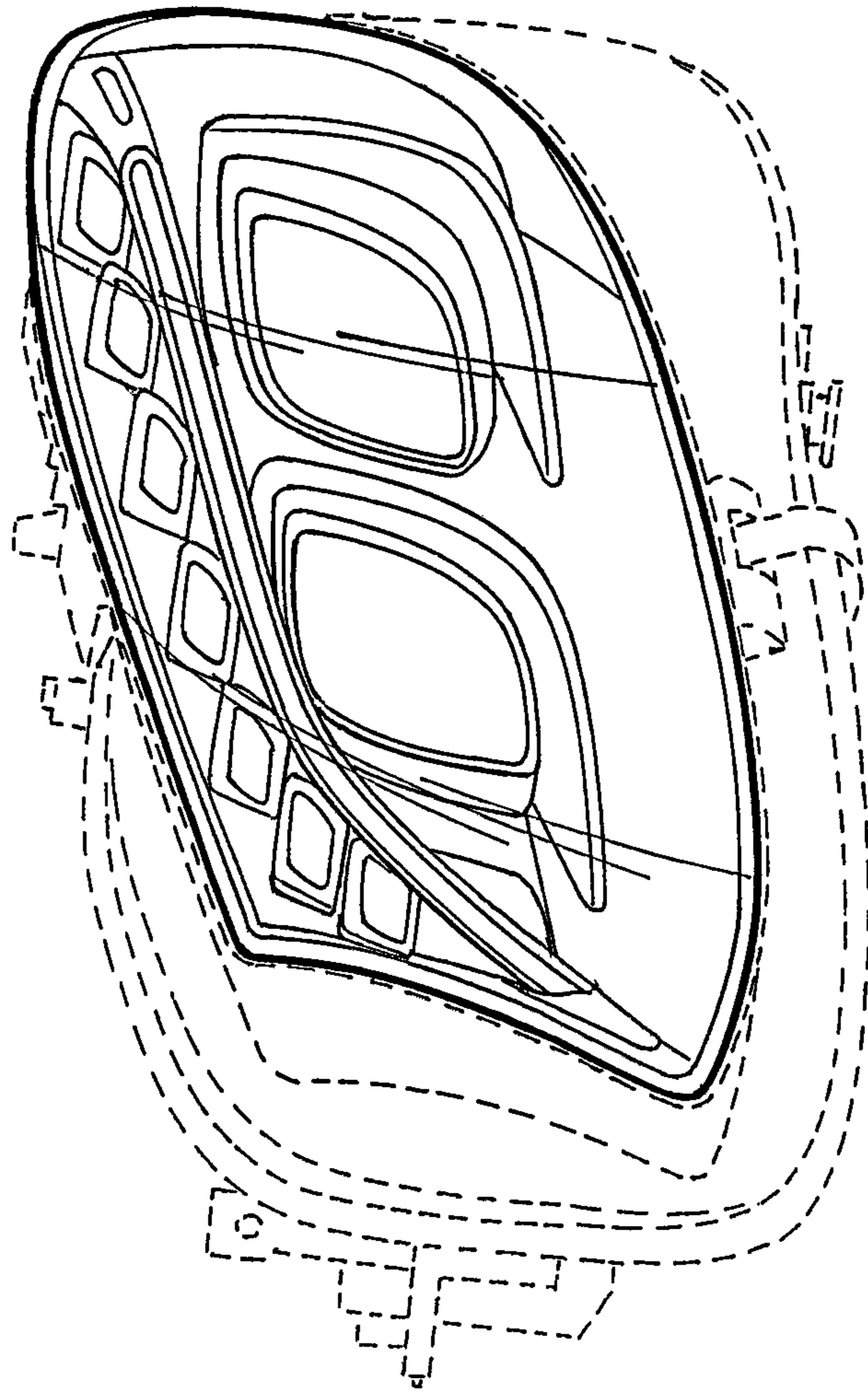


FIG. 3

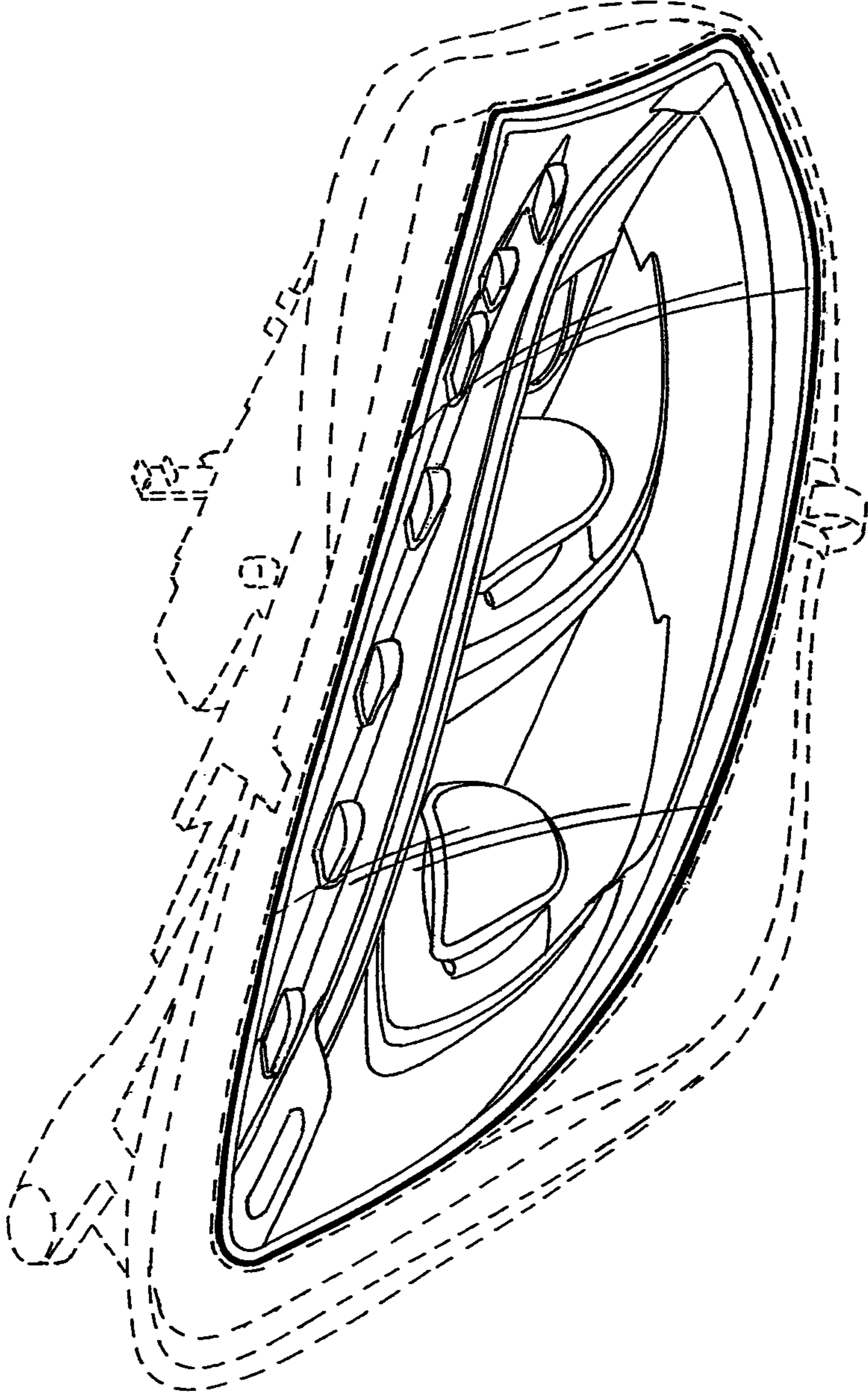


FIG. 4

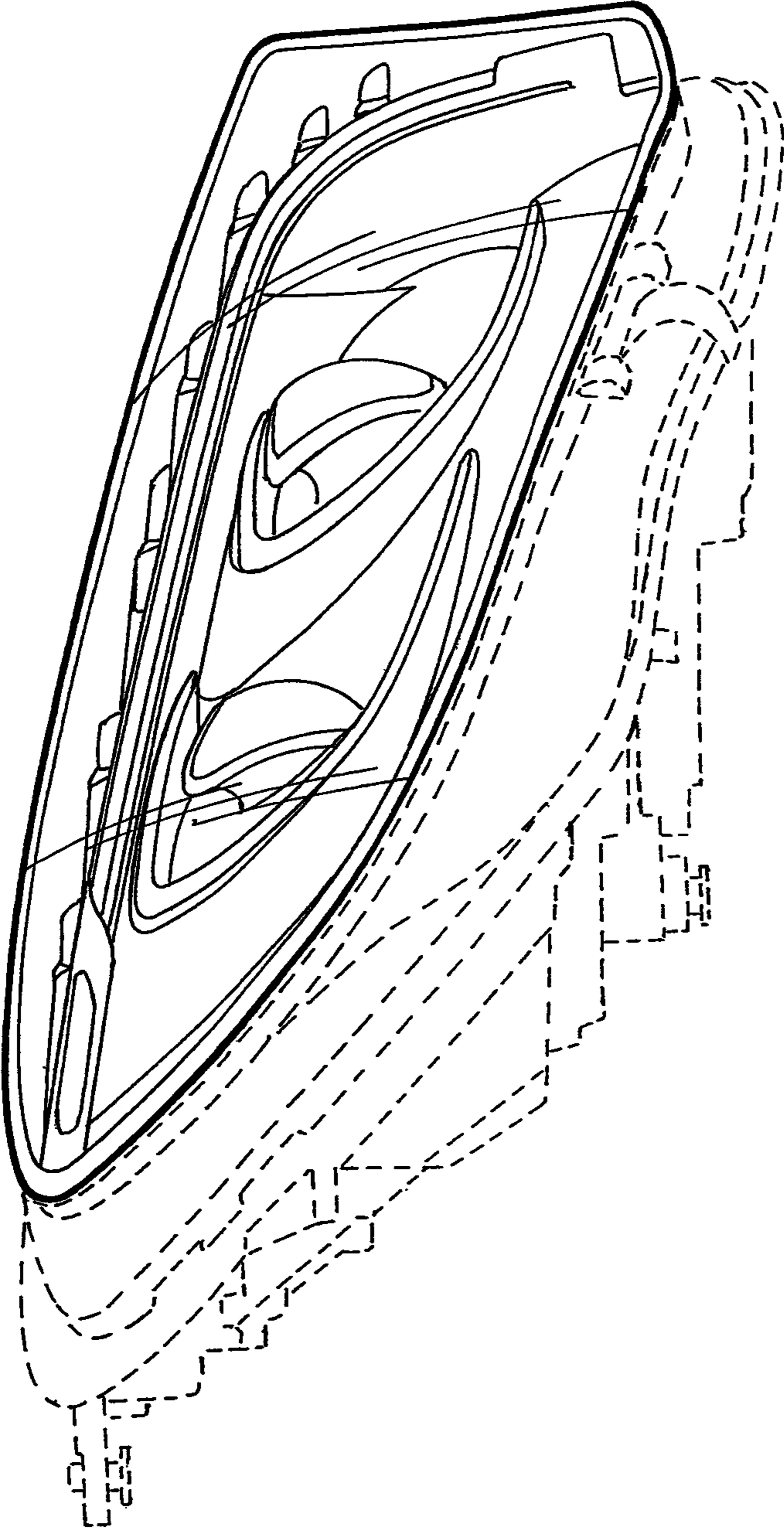


FIG. 5

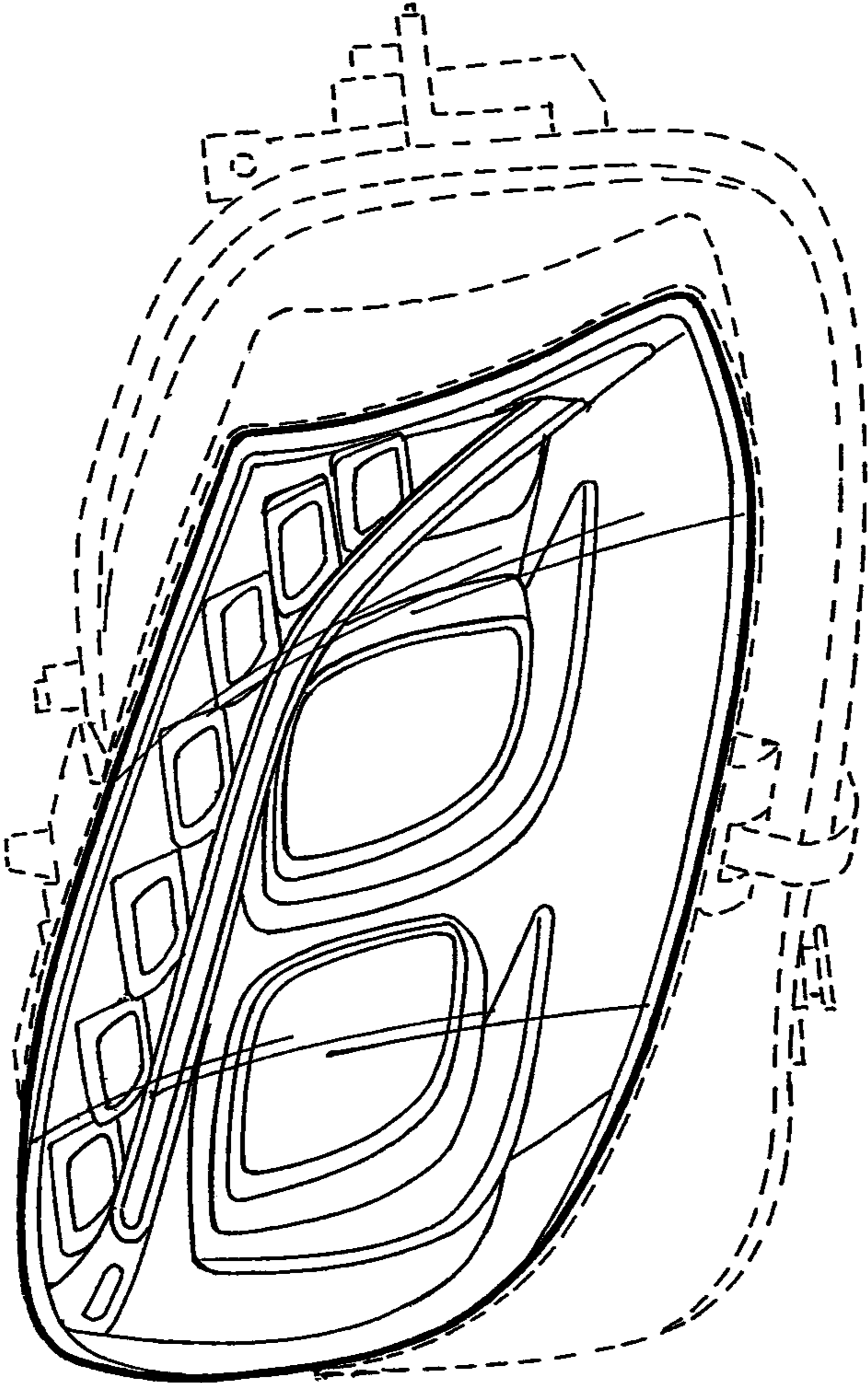


FIG. 6