



US00D722187S

(12) **United States Design Patent**
Gerardo

(10) **Patent No.:** **US D722,187 S**
(45) **Date of Patent:** **** Feb. 3, 2015**

(54) **SURFACE MOUNT LIGHT FOR A VEHICLE**

(56) **References Cited**

(71) Applicant: **Whelen Engineering Company, Inc.**,
Chester, CT (US)

U.S. PATENT DOCUMENTS

(72) Inventor: **Tony Gerardo**, Bristol, CT (US)

D550,383 S *	9/2007	Asai	D26/28
D556,349 S *	11/2007	Golden et al.	D26/28
D560,291 S *	1/2008	Koyama	D26/28
D625,443 S *	10/2010	Herbin et al.	D26/28
D641,504 S *	7/2011	Lin	D26/28
D653,370 S *	1/2012	Grebert et al.	D26/28

(73) Assignee: **Whelen Engineering Company, Inc.**,
Chester, CT (US)

* cited by examiner

(**) Term: **14 Years**

Primary Examiner — Marcus Jackson

(21) Appl. No.: **29/448,412**

(74) *Attorney, Agent, or Firm* — Alix, Yale & Ristas, LLP

(22) Filed: **Mar. 12, 2013**

(57) **CLAIM**

(51) **LOC (10) Cl.** **26-06**

The ornamental design for the surface mount light for a vehicle, as shown and described.

(52) **U.S. Cl.**

DESCRIPTION

USPC **D26/28**

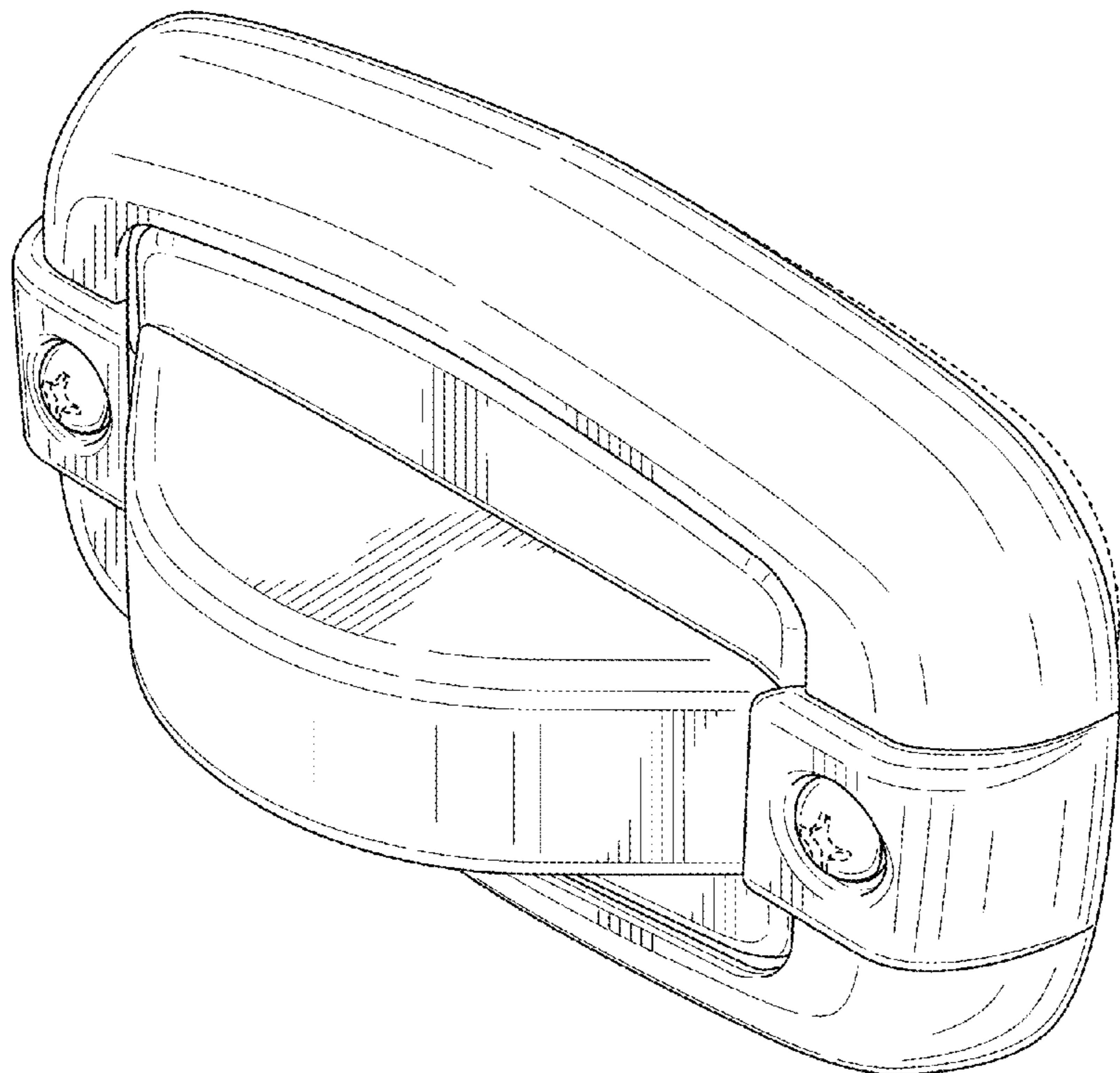
FIG. 1 is a perspective view of a surface mount light for a vehicle showing my new design;
FIG. 2 is a top plan view of the lighthouse of FIG. 1, the bottom plan view being a mirror image thereof;
FIG. 3 is a side view of the lighthouse of FIG. 1, the opposite side view being a mirror image thereof;
FIG. 4 is a rear view of the lighthouse of FIG. 1; and,
FIG. 5 is a front view of the lighthouse of FIG. 1.
No claim is made to the portions shown in broken lines.

(58) **Field of Classification Search**

USPC D26/28-36; 362/459-468, 475-478,
362/485-487

See application file for complete search history.

1 Claim, 5 Drawing Sheets



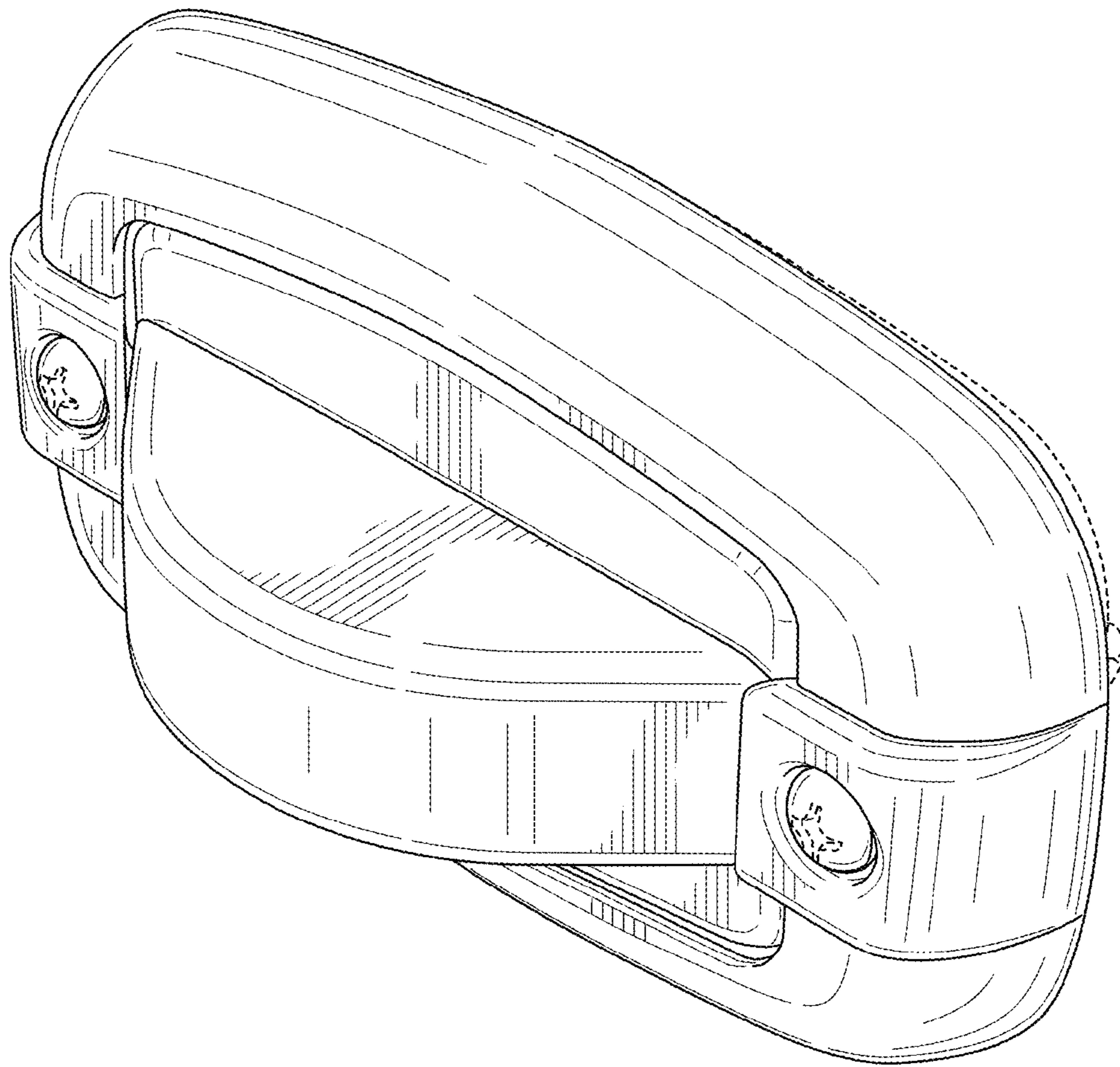


FIG. 1

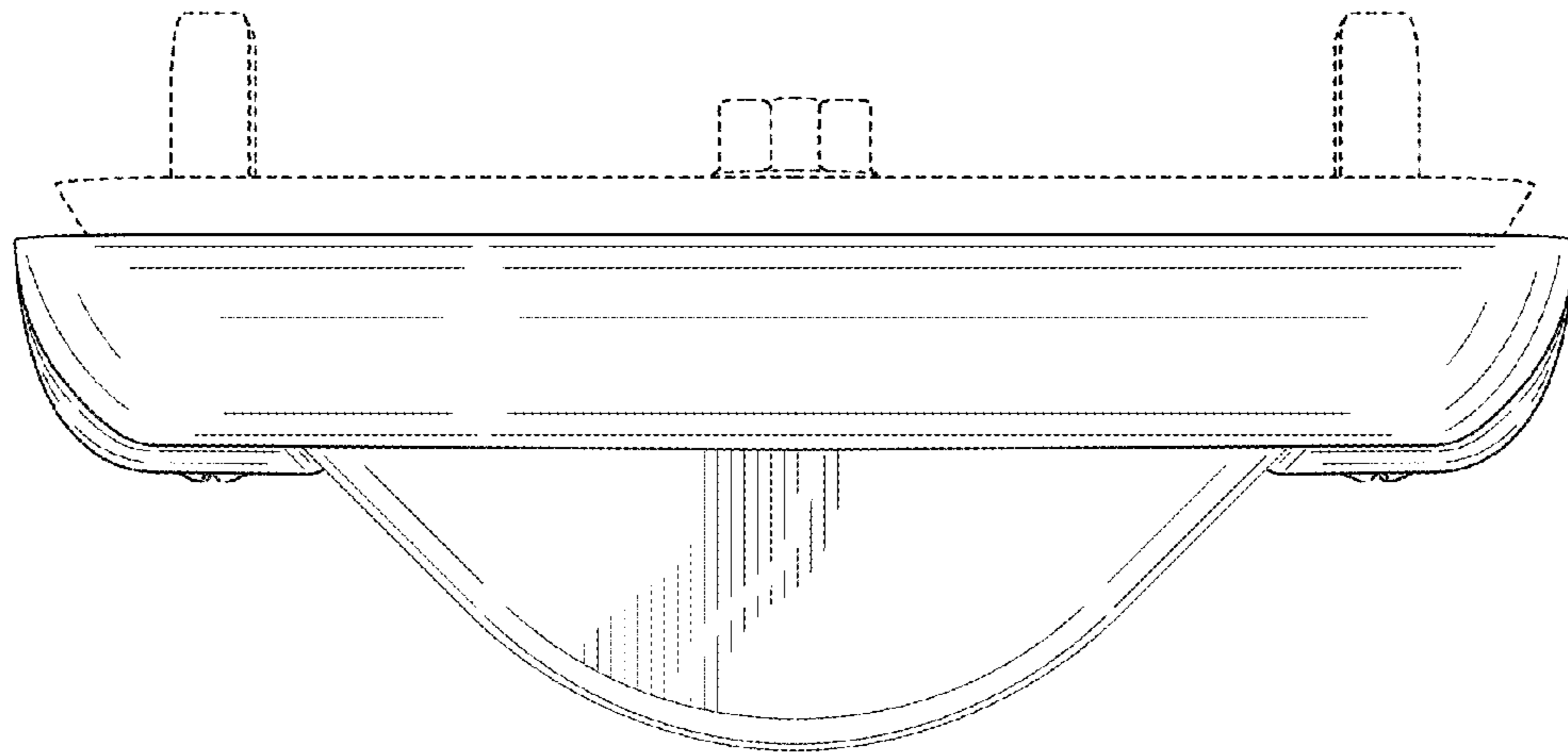


FIG. 2

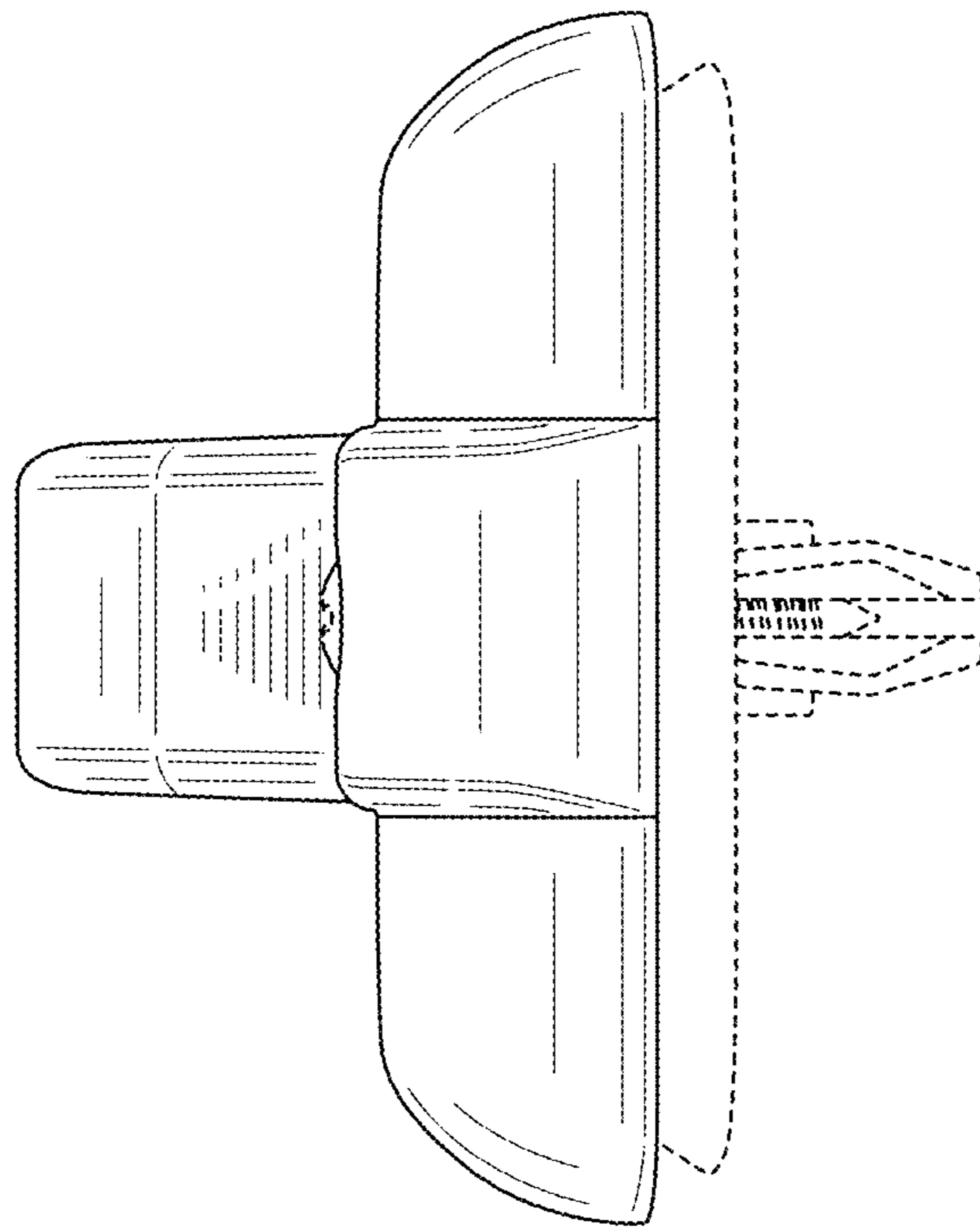


FIG. 3

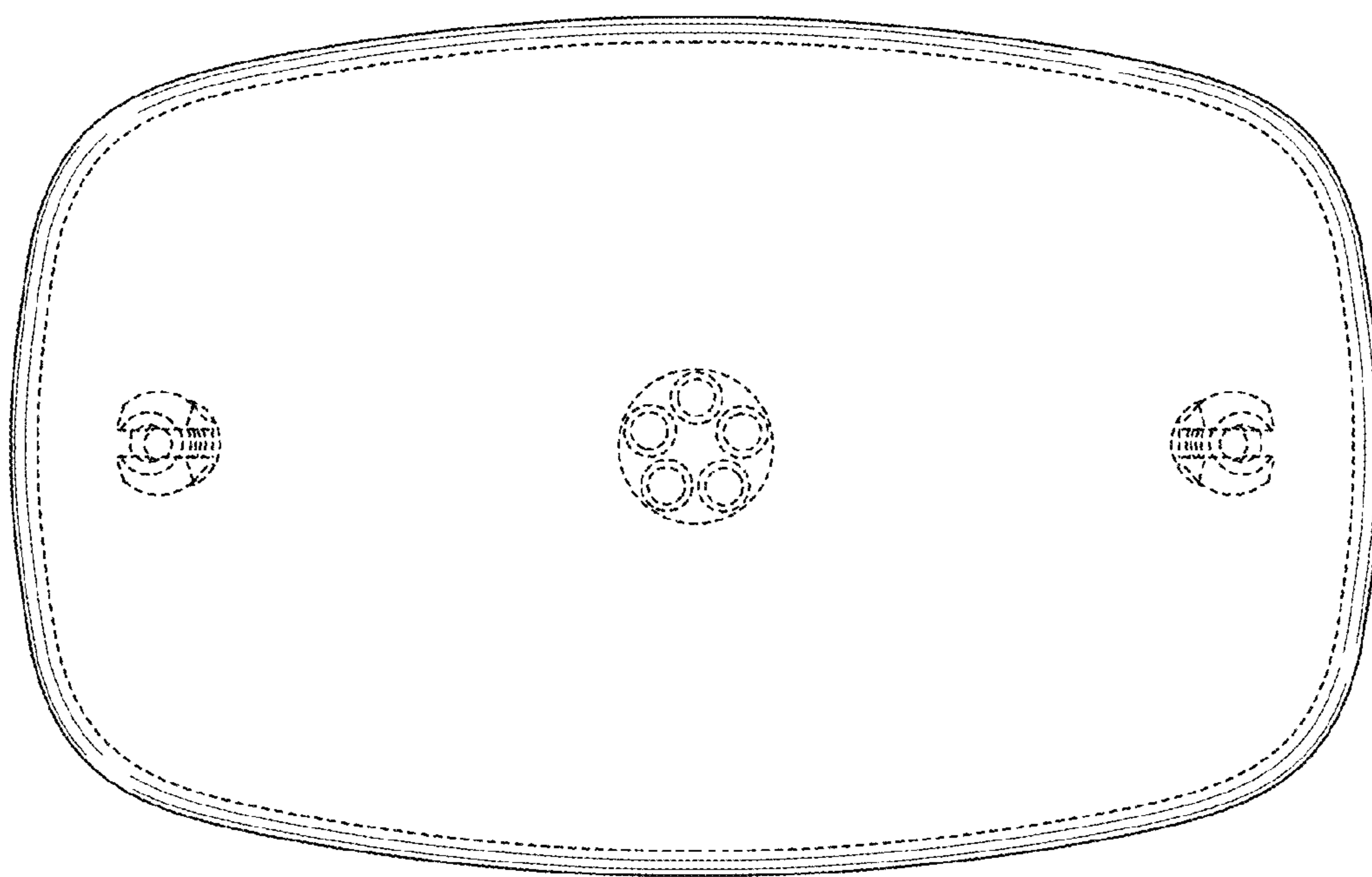


FIG. 4

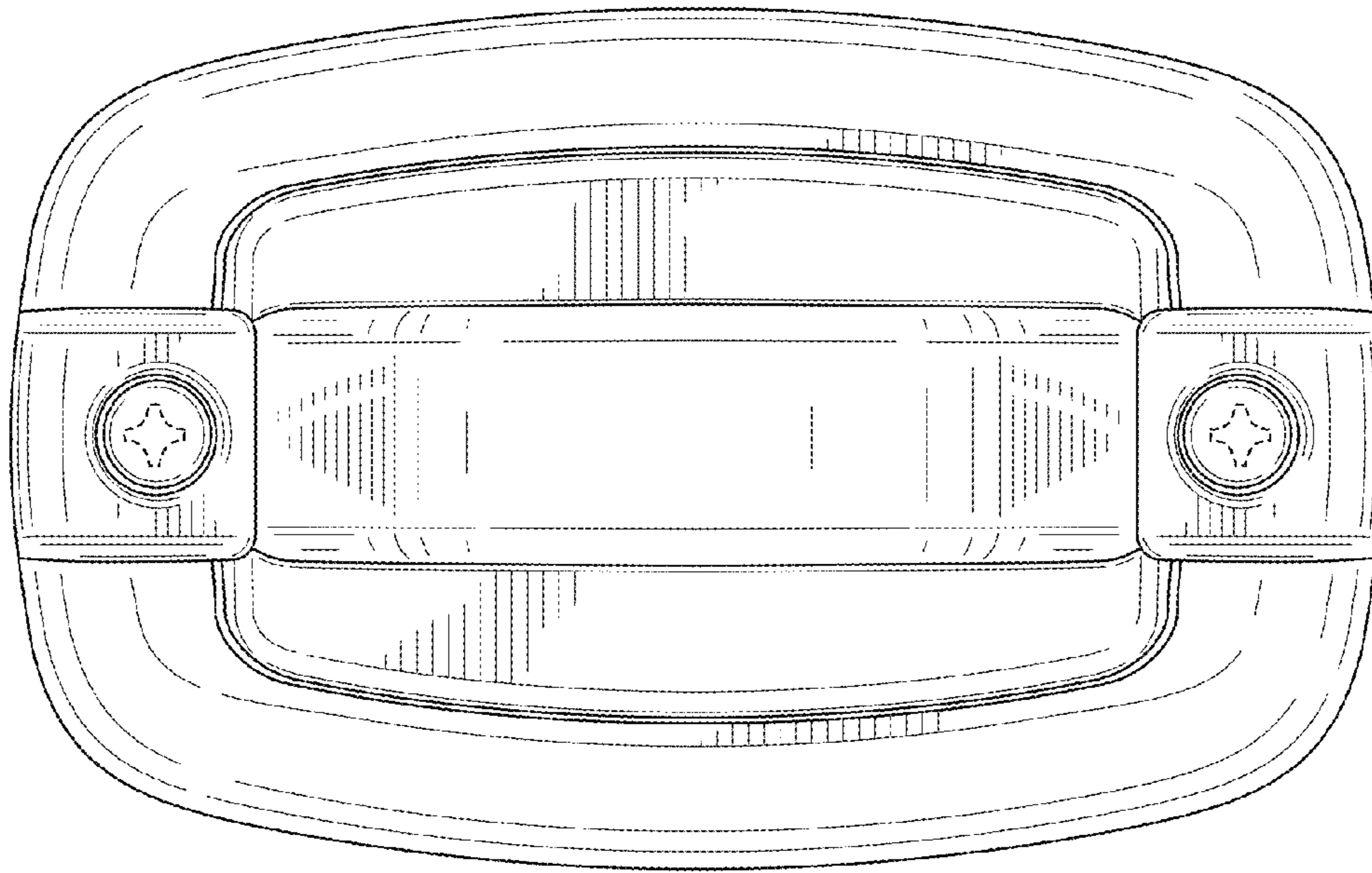


FIG. 5