



US00D722186S

(12) **United States Design Patent**  
**Epmeier**

(10) **Patent No.:** **US D722,186 S**  
(45) **Date of Patent:** **\*\* Feb. 3, 2015**

(54) **LED DAYTIME RUNNING LIGHT**  
(71) Applicant: **Koninklijke Philips Electronics N.V.**,  
Eindhoven (NL)  
(72) Inventor: **Matthias Daniel Epmeier**, Aachen (DE)  
(73) Assignee: **Koninklijke Philips N.V.**, Eindhoven  
(NL)  
(\*\*) Term: **14 Years**  
(21) Appl. No.: **29/447,443**  
(22) Filed: **Mar. 4, 2013**

(30) **Foreign Application Priority Data**  
Sep. 4, 2012 (EM) ..... 002096925-0001  
(51) **LOC (10) Cl.** ..... **26-06**  
(52) **U.S. Cl.**  
USPC ..... **D26/28**  
(58) **Field of Classification Search**  
USPC ..... D26/28-36; 362/459-468, 475-478,  
362/485-487  
See application file for complete search history.

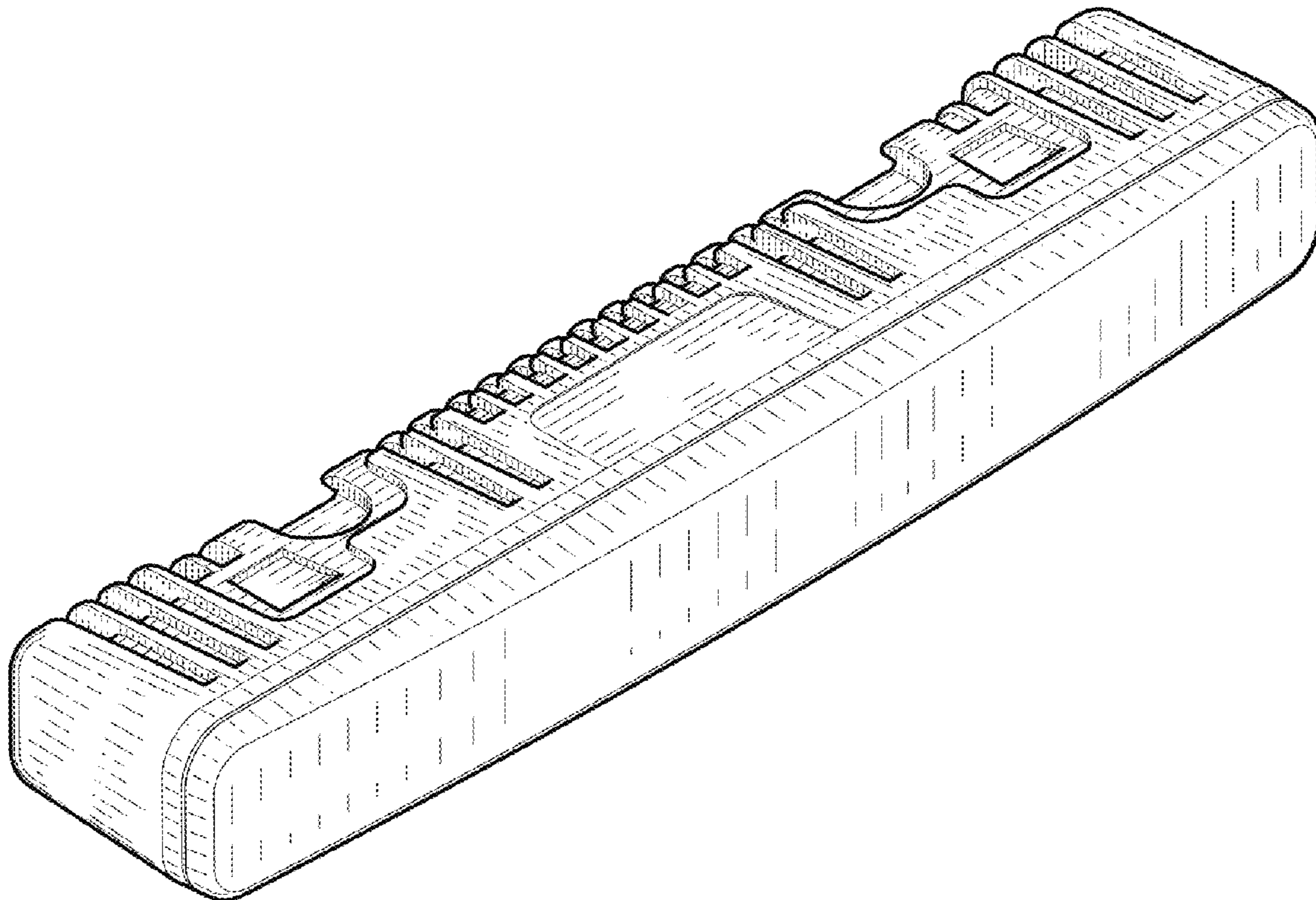
(56) **References Cited**  
U.S. PATENT DOCUMENTS  
D445,924 S \* 7/2001 Oh ..... D26/28  
D447,826 S \* 9/2001 Kang ..... D26/28  
D451,218 S \* 11/2001 Bernier ..... D26/28  
D500,153 S \* 12/2004 Stephens et al. .... D26/28  
D630,354 S \* 1/2011 Stephens et al. .... D26/28

\* cited by examiner  
*Primary Examiner* — Marcus Jackson

(57) **CLAIM**  
The ornamental design for a LED daytime running light, as shown.

**DESCRIPTION**  
FIG. 1 is a perspective view showing my design;  
FIG. 2 is a front elevational view thereof;  
FIG. 3 is a rear elevational view thereof;  
FIG. 4 is a right side elevational view thereof;  
FIG. 5 is a left side elevational view thereof;  
FIG. 6 is a top plan view thereof; and,  
FIG. 7 is a bottom plan view thereof.

**1 Claim, 3 Drawing Sheets**



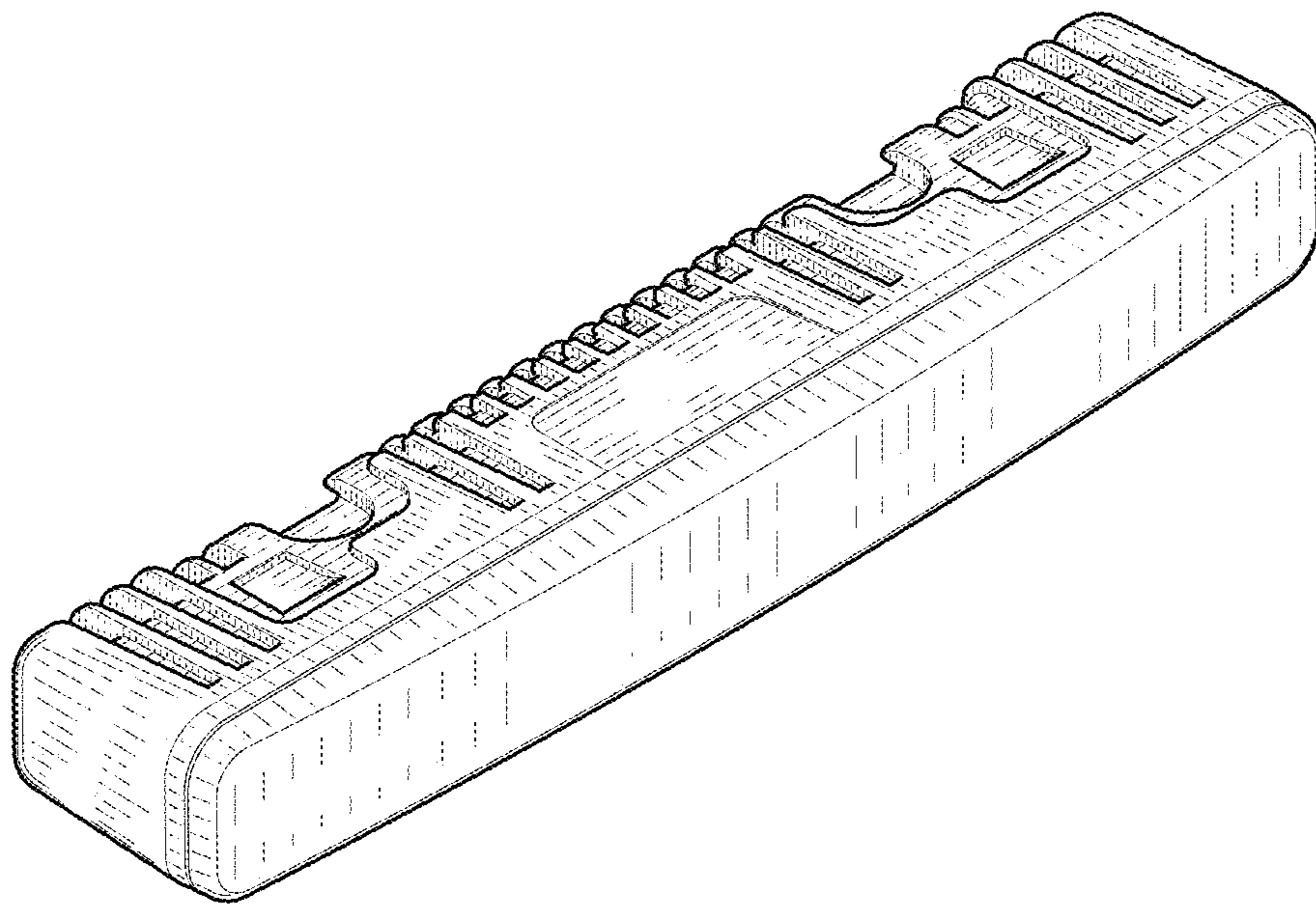


FIG. 1

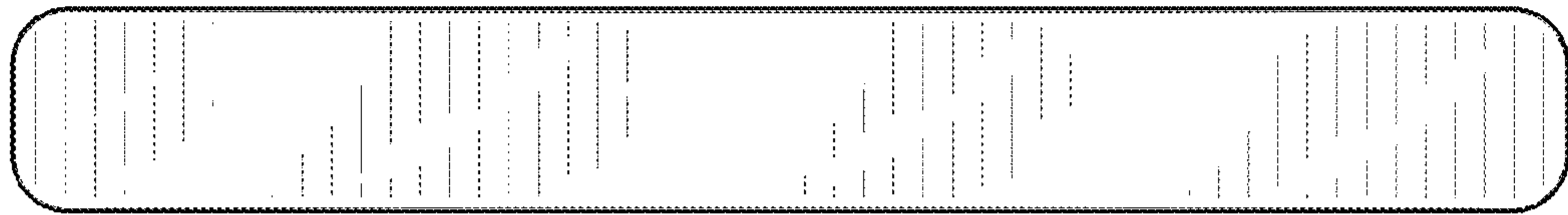


FIG. 2

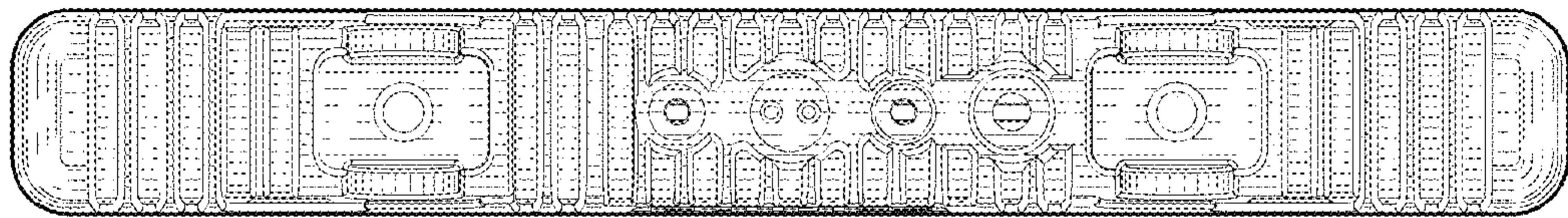


FIG. 3

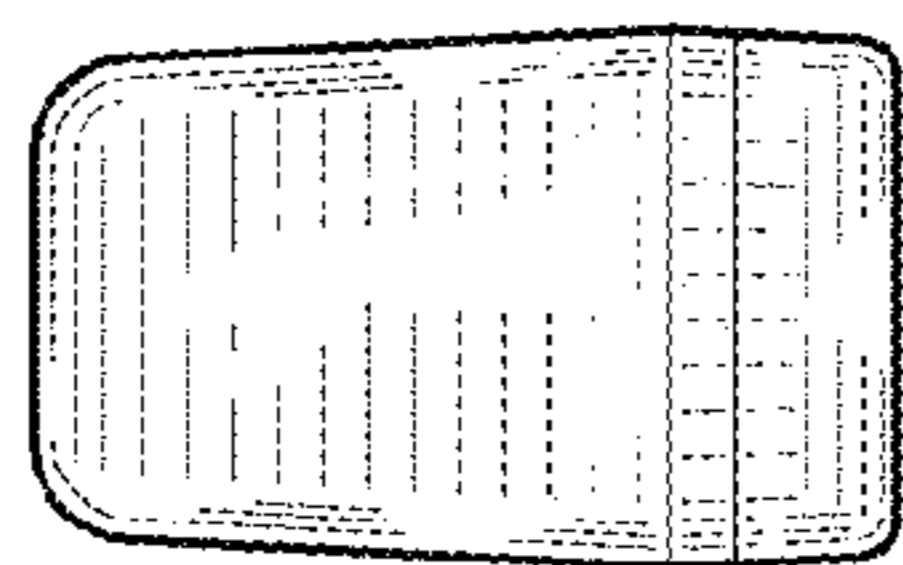


FIG. 4

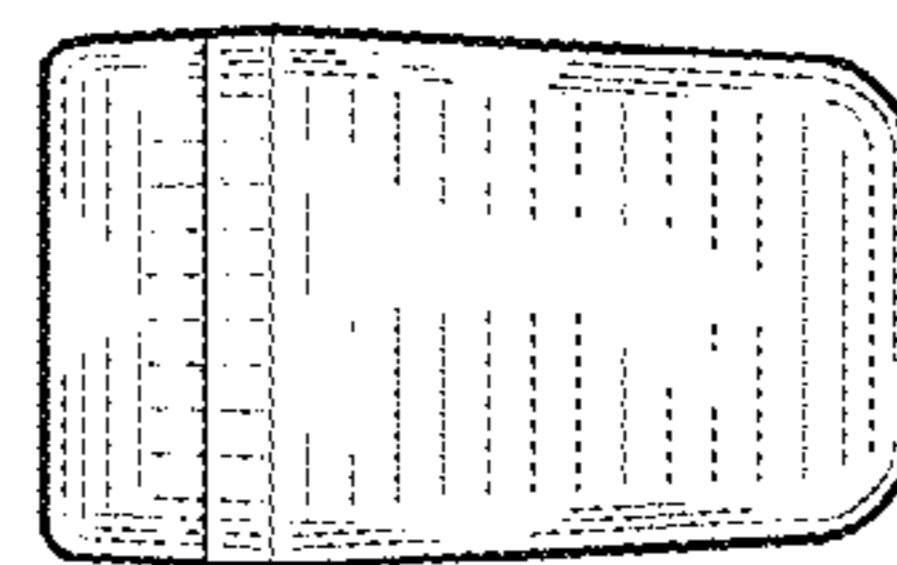


FIG. 5

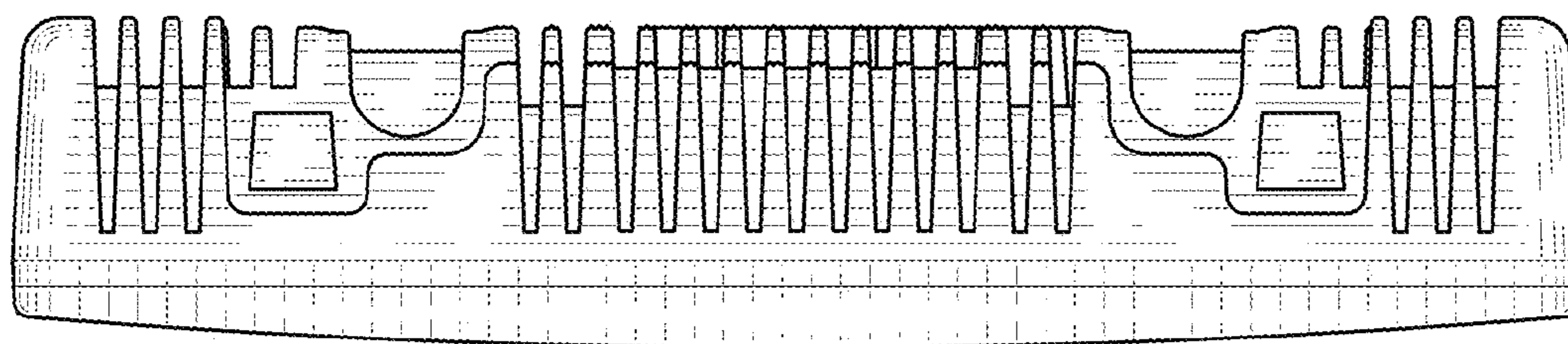


FIG. 6

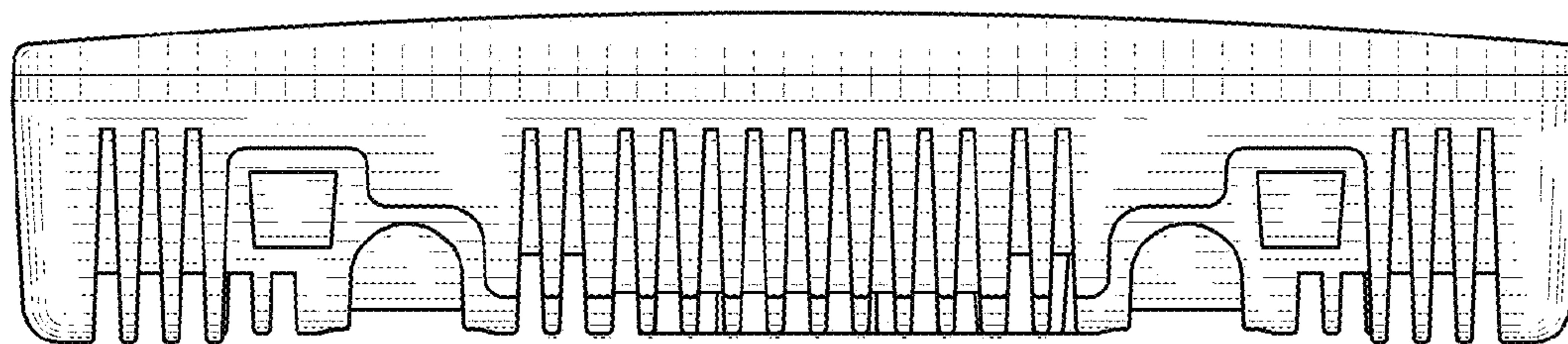


FIG. 7