



US00D722184S

(12) **United States Design Patent**  
**Bukkems et al.**

(10) **Patent No.:** **US D722,184 S**

(45) **Date of Patent:** **\*\* Feb. 3, 2015**

(54) **LED BULB**

(71) Applicant: **Koninklijke Philips N.V.**, Eindhoven (NL)

(72) Inventors: **Peter Johannes Martinus Bukkems**, Deurne (NL); **Simon Eme Kadijk**, Veldhoven (NL); **Johannes Petrus Maria Ansems**, Hulsel (NL); **Peter Rijskamp**, Venray (NL)

(73) Assignee: **Koninklijke Philips N.V.**, Eindhoven (NL)

(\*\*) Term: **14 Years**

(21) Appl. No.: **29/468,082**

(22) Filed: **Sep. 26, 2013**

(30) **Foreign Application Priority Data**

Mar. 29, 2013 (EM) ..... 002211995-0006

(51) **LOC (10) Cl.** ..... **26-06**

(52) **U.S. Cl.**  
USPC ..... **D26/2**

(58) **Field of Classification Search**  
USPC ..... D26/1-4; 313/313, 315, 316, 317, 318, 313/493; 315/52, 53, 56, 57, 58  
See application file for complete search history.

(56) **References Cited**

U.S. PATENT DOCUMENTS

D499,820	S	*	12/2004	Foo	.....	D26/2
D508,575	S	*	8/2005	Buschmann et al.	.....	D26/2
D528,673	S	*	9/2006	Maxik et al.	.....	D26/2
D534,665	S	*	1/2007	Egawa et al.	.....	D26/2
D549,854	S	*	8/2007	Takahashi et al.	.....	D26/2
D574,091	S	*	7/2008	Sun	.....	D26/2
D589,175	S	*	3/2009	Xue	.....	D26/2

\* cited by examiner

*Primary Examiner* — Marcus Jackson

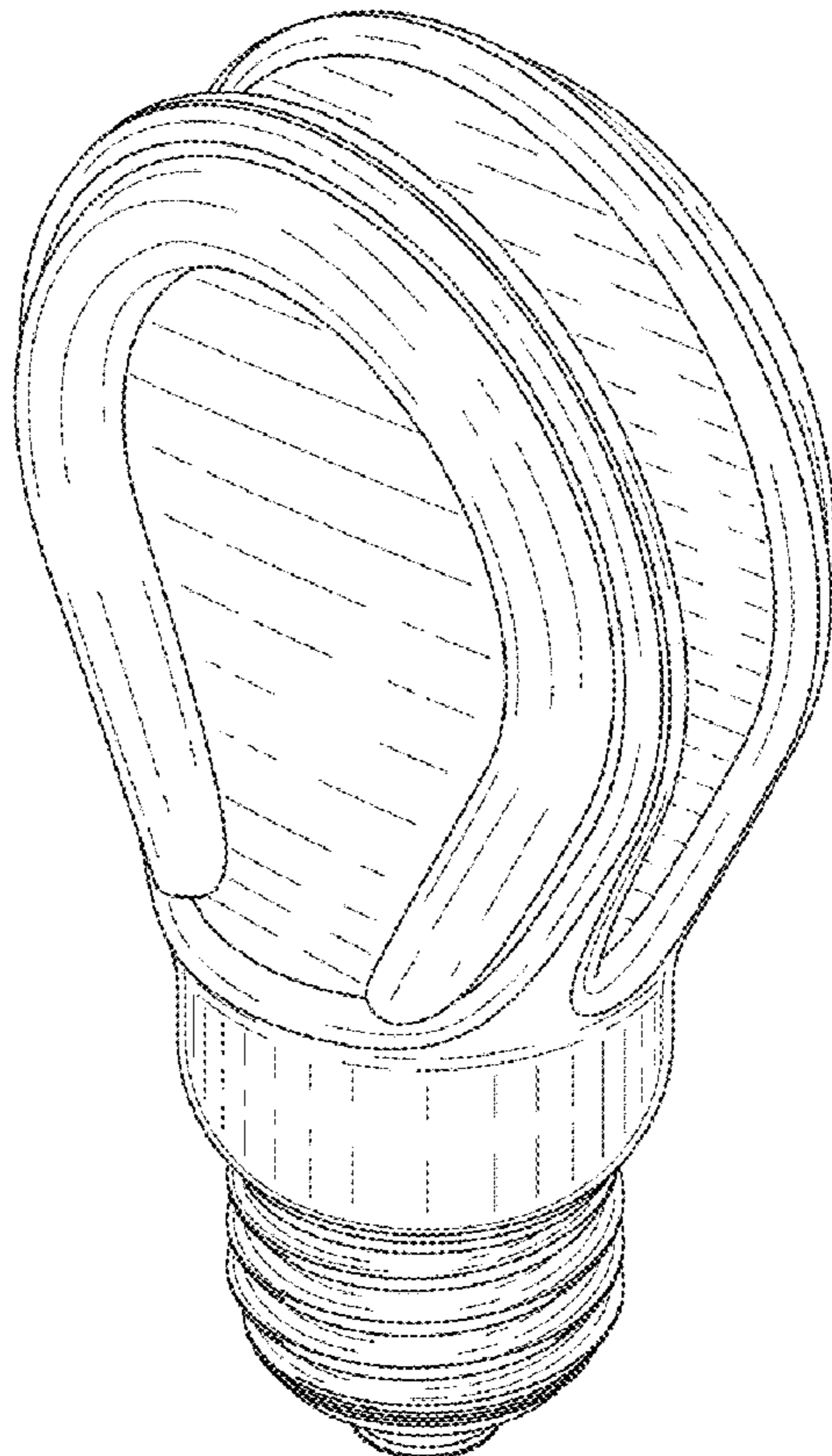
(57) **CLAIM**

The ornamental design for a LED bulb, as shown.

**DESCRIPTION**

FIG. 1 is a perspective view showing my design;  
FIG. 2 is a front elevational view thereof;  
FIG. 3 is a rear elevational view thereof;  
FIG. 4 is a right side elevational view thereof;  
FIG. 5 is a left side elevational view thereof;  
FIG. 6 is a top plan view thereof; and,  
FIG. 7 is a bottom plan view thereof.

**1 Claim, 4 Drawing Sheets**



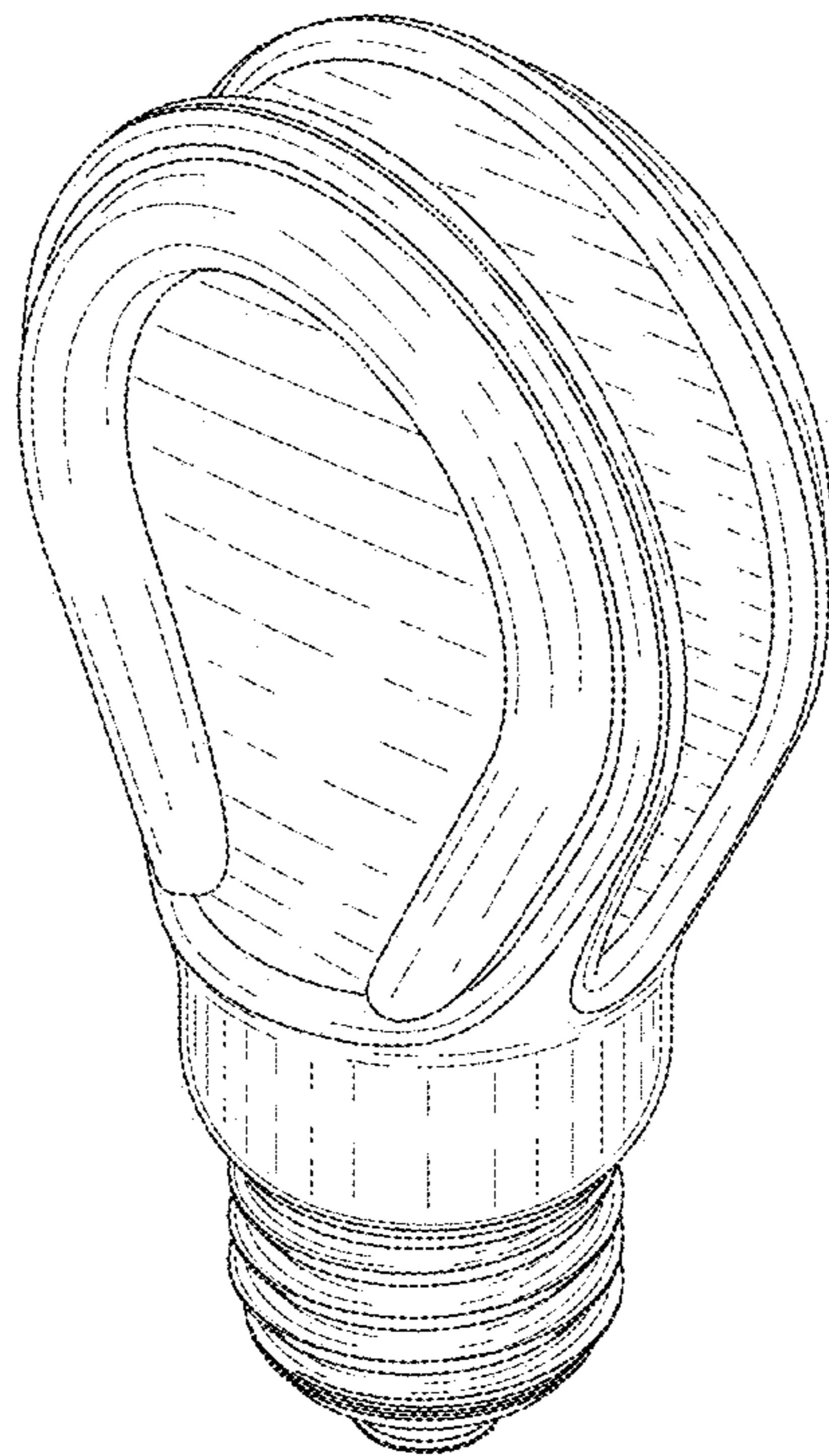


FIG. 1

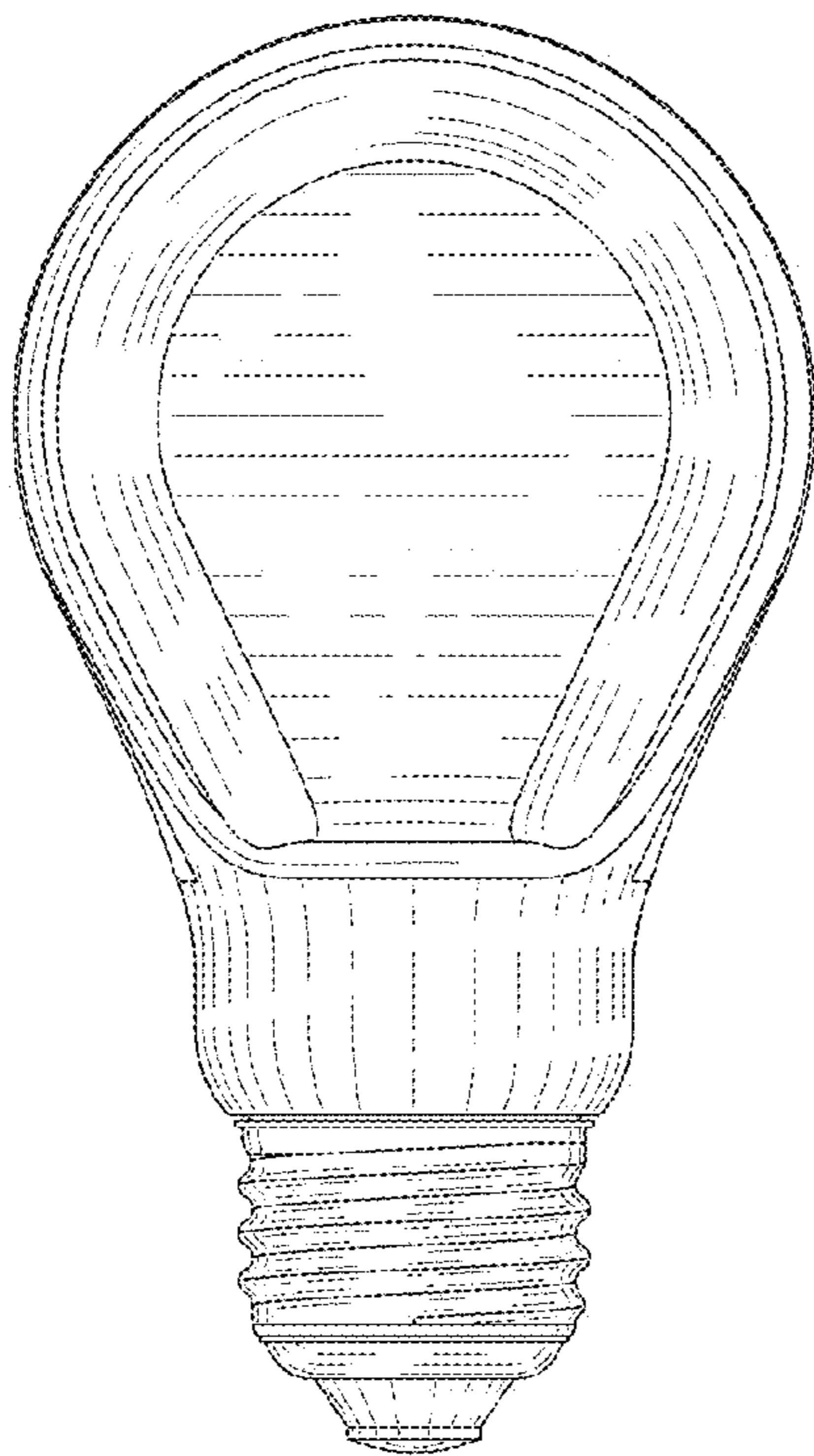


FIG. 2

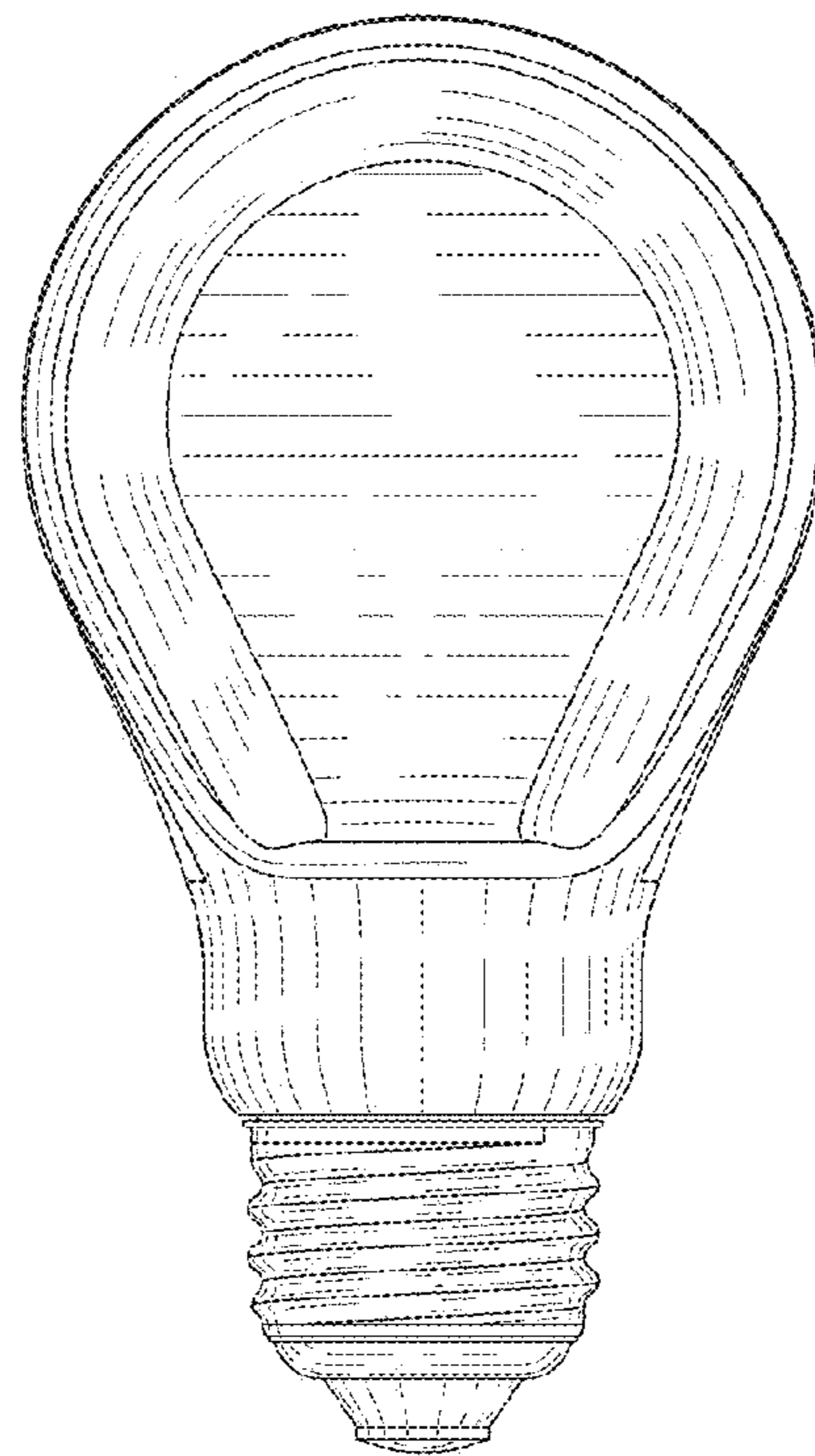


FIG. 3

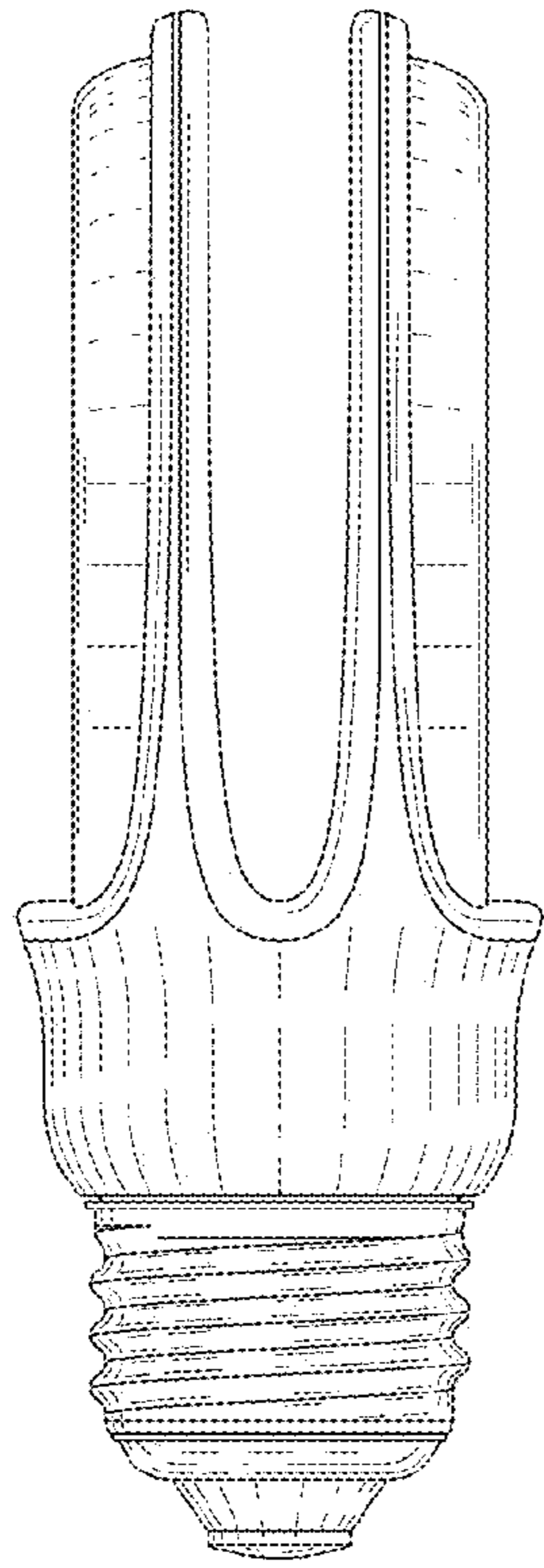


FIG. 4

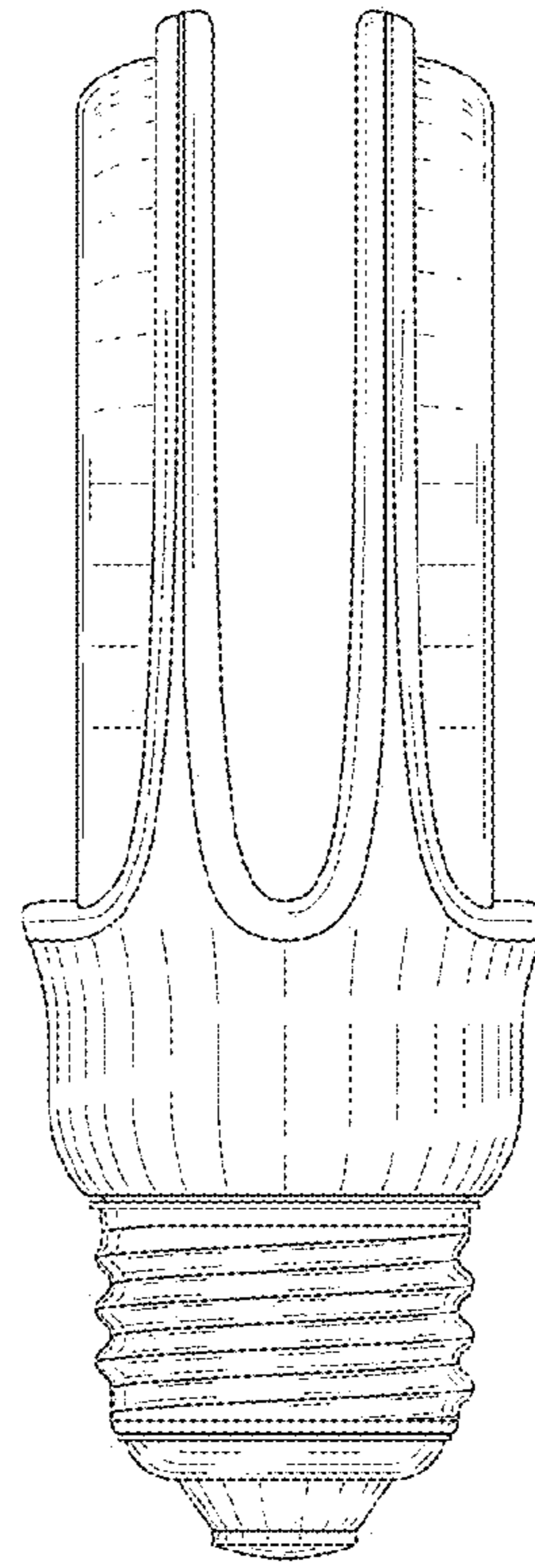


FIG. 5

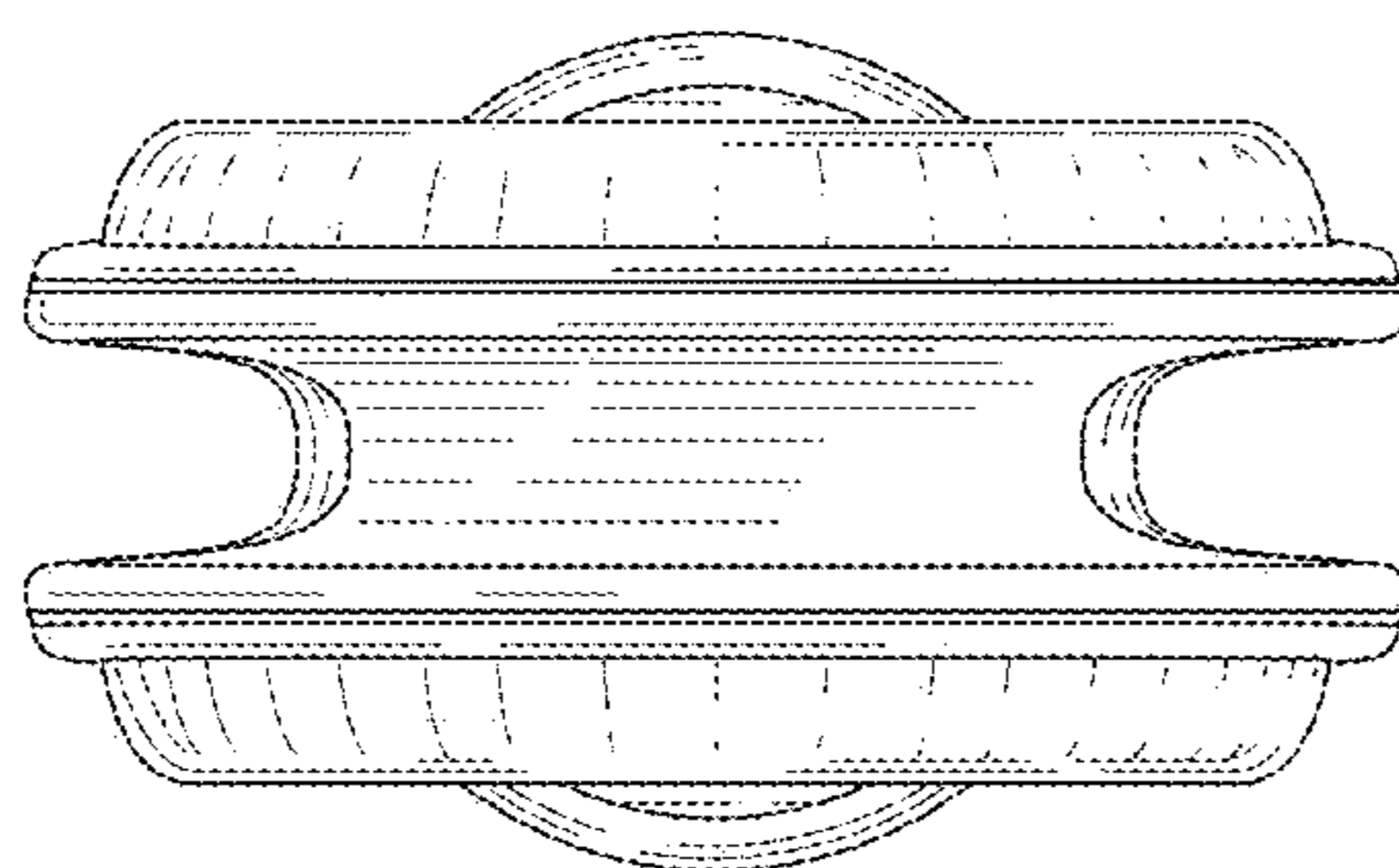


FIG. 6

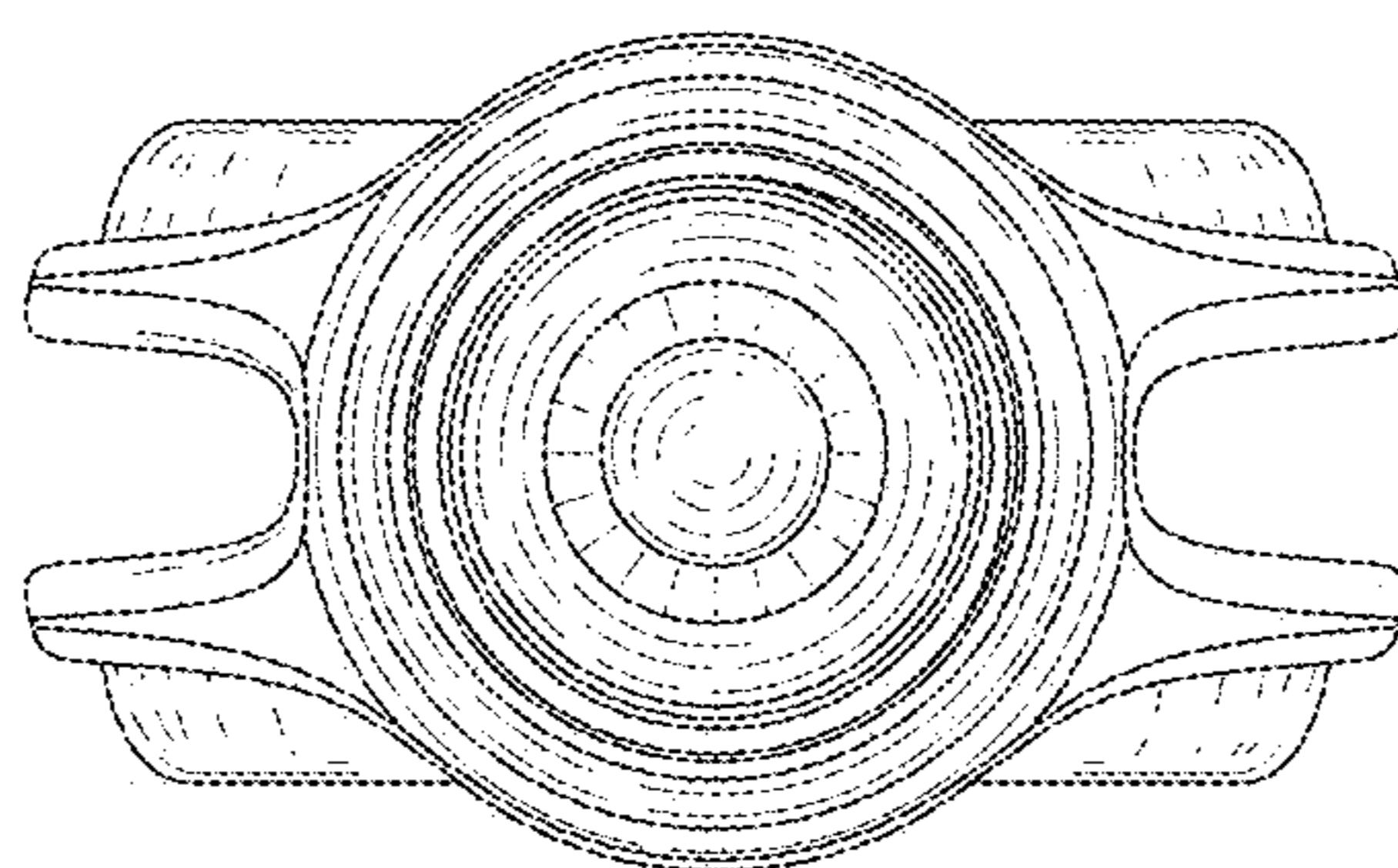


FIG. 7