



US00D722172S

(12) **United States Design Patent**
Amemiya et al.

(10) **Patent No.:** **US D722,172 S**

(45) **Date of Patent:** **** Feb. 3, 2015**

(54) **MEDICAL CART**

(71) Applicants: **Kanae Amemiya**, Menlo Park, CA (US);
Haixia Yu, Menlo Park, CA (US);
Vincent Pascual, Palo Alto, CA (US);
Hao Yu Feng, Palo Alto, CA (US); **Tark**
Abed, Palo Alto, CA (US)

(72) Inventors: **Kanae Amemiya**, Menlo Park, CA (US);
Haixia Yu, Menlo Park, CA (US);
Vincent Pascual, Palo Alto, CA (US);
Hao Yu Feng, Palo Alto, CA (US); **Tark**
Abed, Palo Alto, CA (US)

(73) Assignee: **Ricoh Company, Ltd.**, Tokyo (JP)

(**) Term: **14 Years**

(21) Appl. No.: **29/438,692**

(22) Filed: **Nov. 30, 2012**

(51) **LOC (10) Cl.** **24-00**

(52) **U.S. Cl.**
USPC **D24/185**

(58) **Field of Classification Search**
USPC D24/185, 186, 144, 160, 167-169, 172,
D24/200, 158, 164; D34/12, 14; 312/22,
312/109, 209, 223.1, 286, 249.8, 249.12;
248/282.1; 600/437, 443, 459
See application file for complete search history.

(56) **References Cited**

U.S. PATENT DOCUMENTS

D406,893 S * 3/1999 Menhennett et al. D24/169
D512,508 S * 12/2005 Mesaros D24/185

7,044,568 B2 * 5/2006 Olivera et al. 312/209
D612,561 S * 3/2010 Hunter et al. D34/14
D648,855 S * 11/2011 Smith et al. D24/158
D650,482 S * 12/2011 Kim et al. D24/158
D658,766 S * 5/2012 Otoha et al. D24/185
D662,208 S * 6/2012 Otoha et al. D24/185
D680,650 S * 4/2013 Muraoka et al. D24/158
2009/0015116 A1 * 1/2009 Arceta et al. 312/209

* cited by examiner

Primary Examiner — Ian Simmons

Assistant Examiner — Rhea Shields

(74) *Attorney, Agent, or Firm* — Dickstein Shapiro LLP

(57) **CLAIM**

The ornamental design for a medical cart, as shown and described.

DESCRIPTION

FIG. 1 is a front view of the medical cart, showing the new design;

FIG. 2 is a rear view thereof;

FIG. 3 is a right-side view thereof;

FIG. 4 is a left-side view thereof;

FIG. 5 is a top view thereof;

FIG. 6 is a bottom view thereof;

FIG. 7 is a front, left side, and top perspective view thereof;

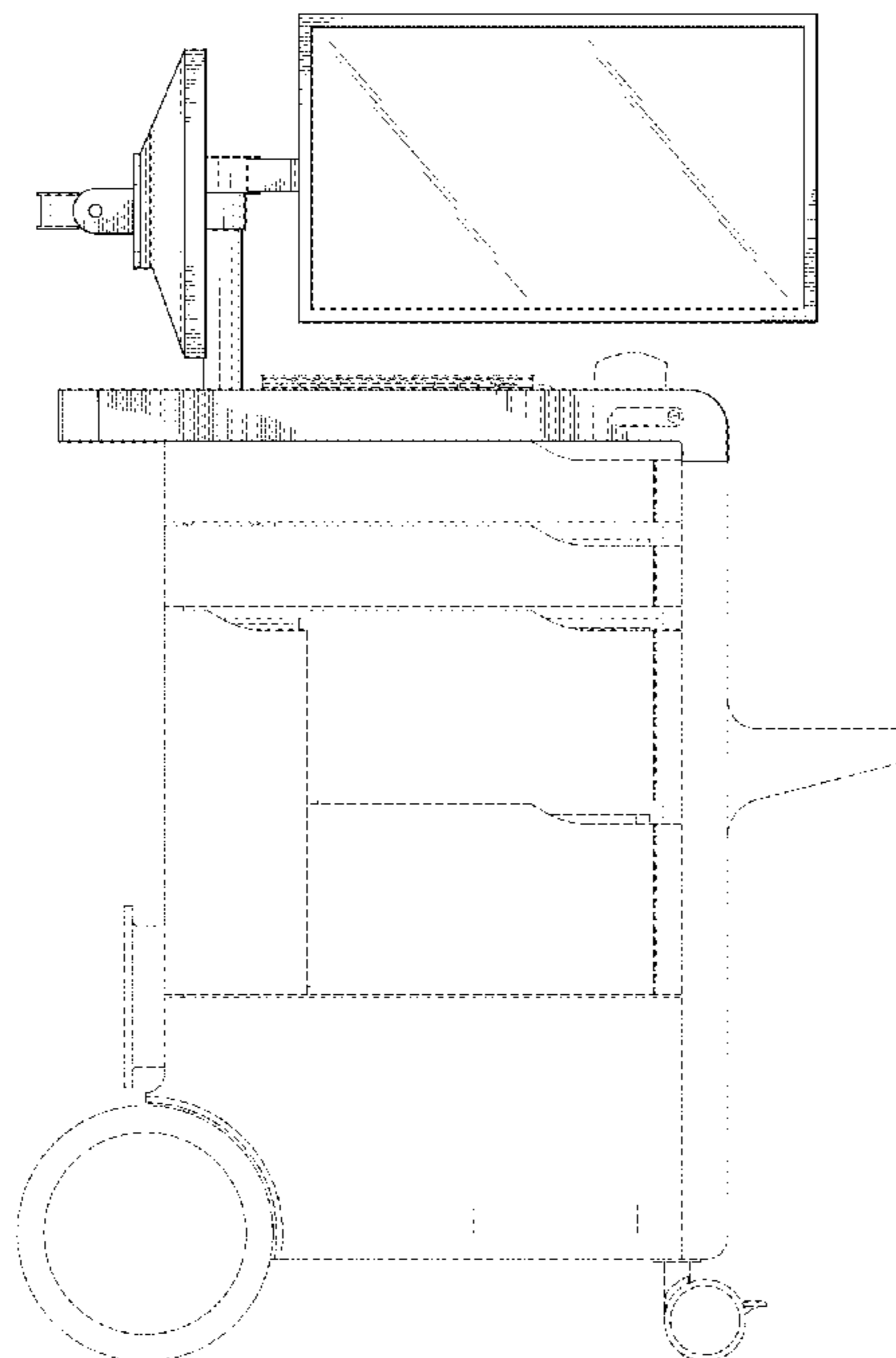
FIG. 8 is a partial front, left side, and bottom perspective view thereof; and,

FIG. 9 is a partial rear, left side, and bottom perspective view thereof.

The broken line showing of portions of the medical cart is for the purpose of illustrating environmental structure and forms no part of the claimed design.

The medical cart shown in the drawings and described herein operates as a telemedicine cart.

1 Claim, 8 Drawing Sheets



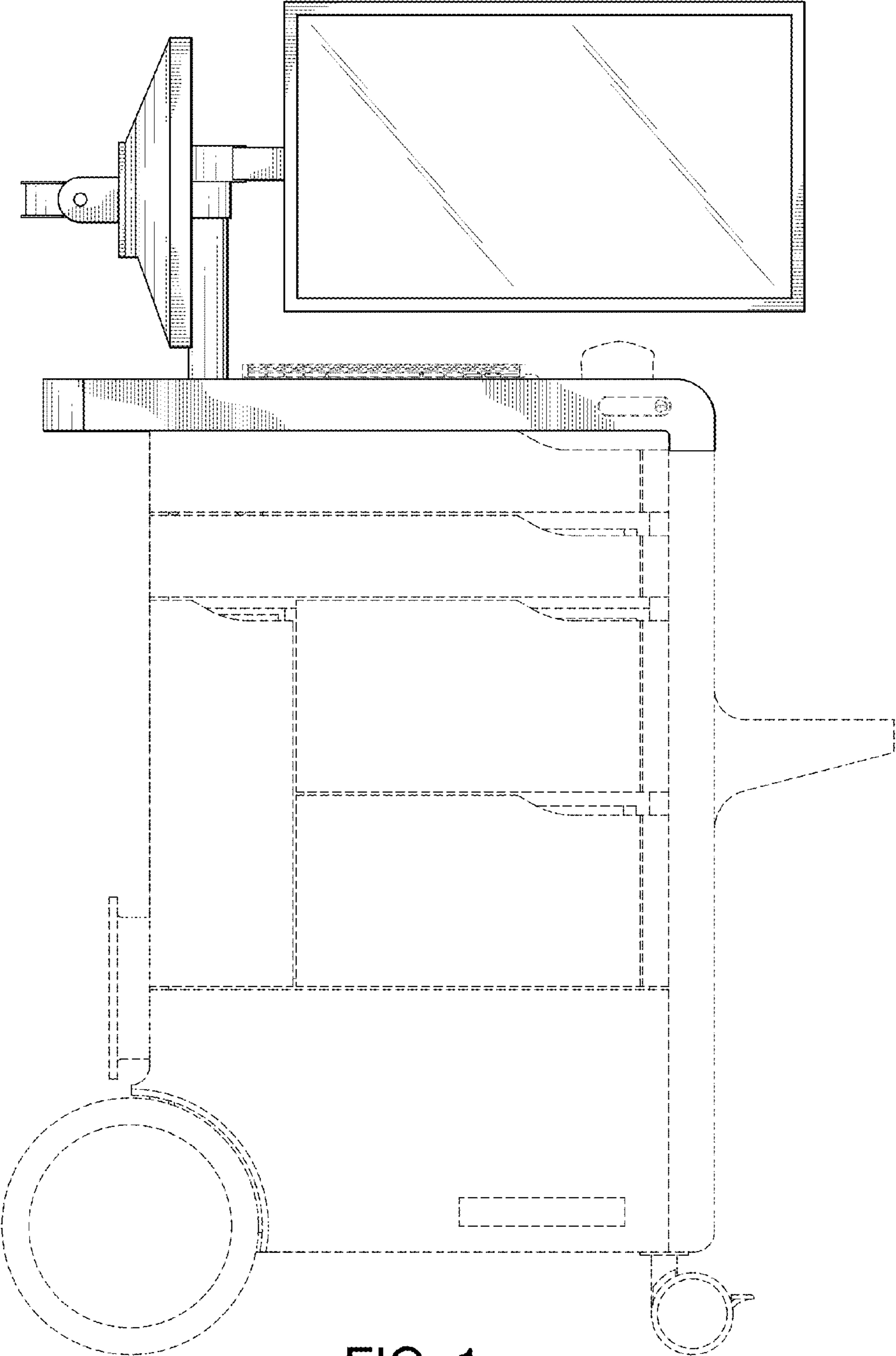


FIG. 1

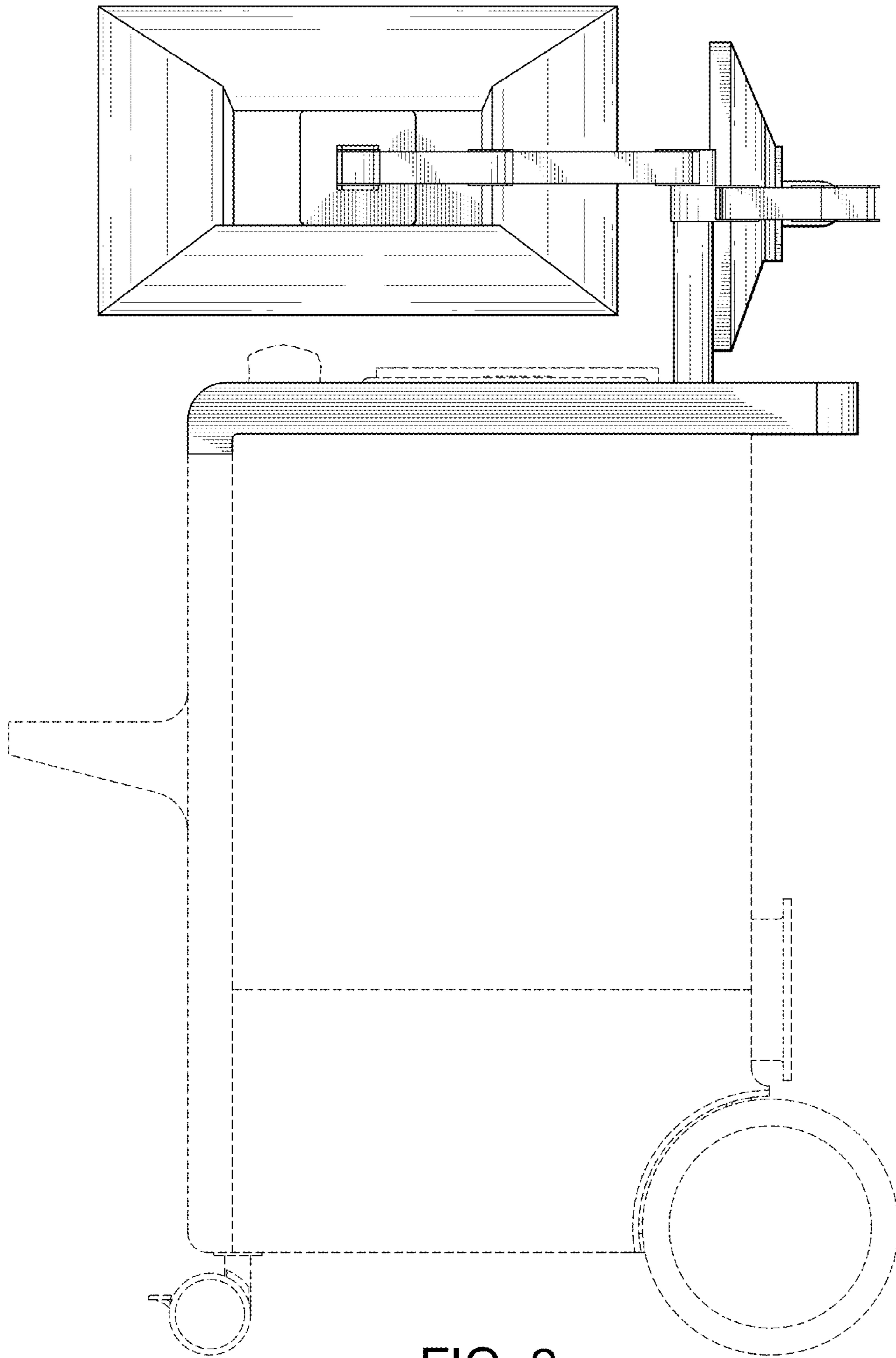


FIG. 2

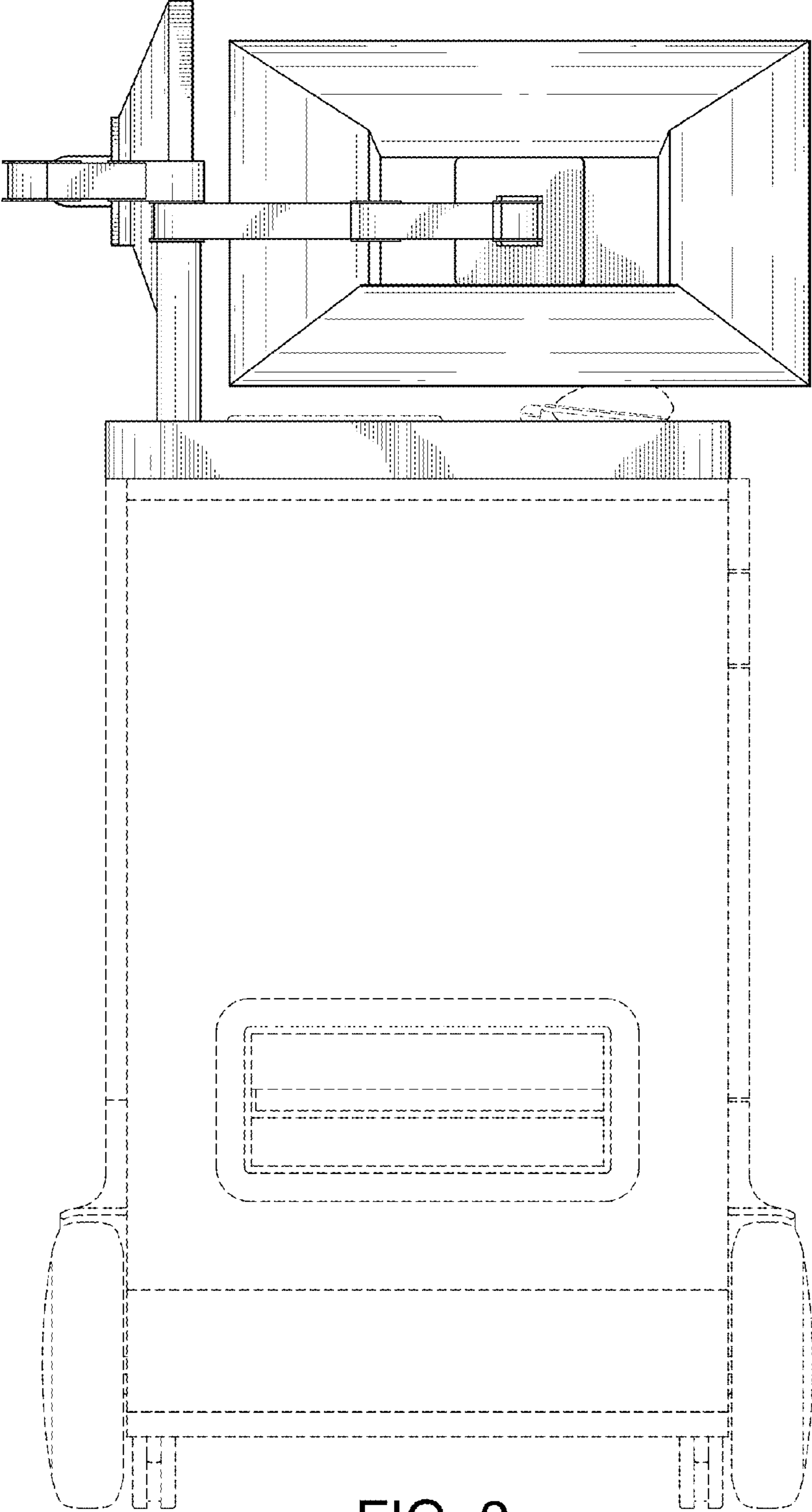


FIG. 3

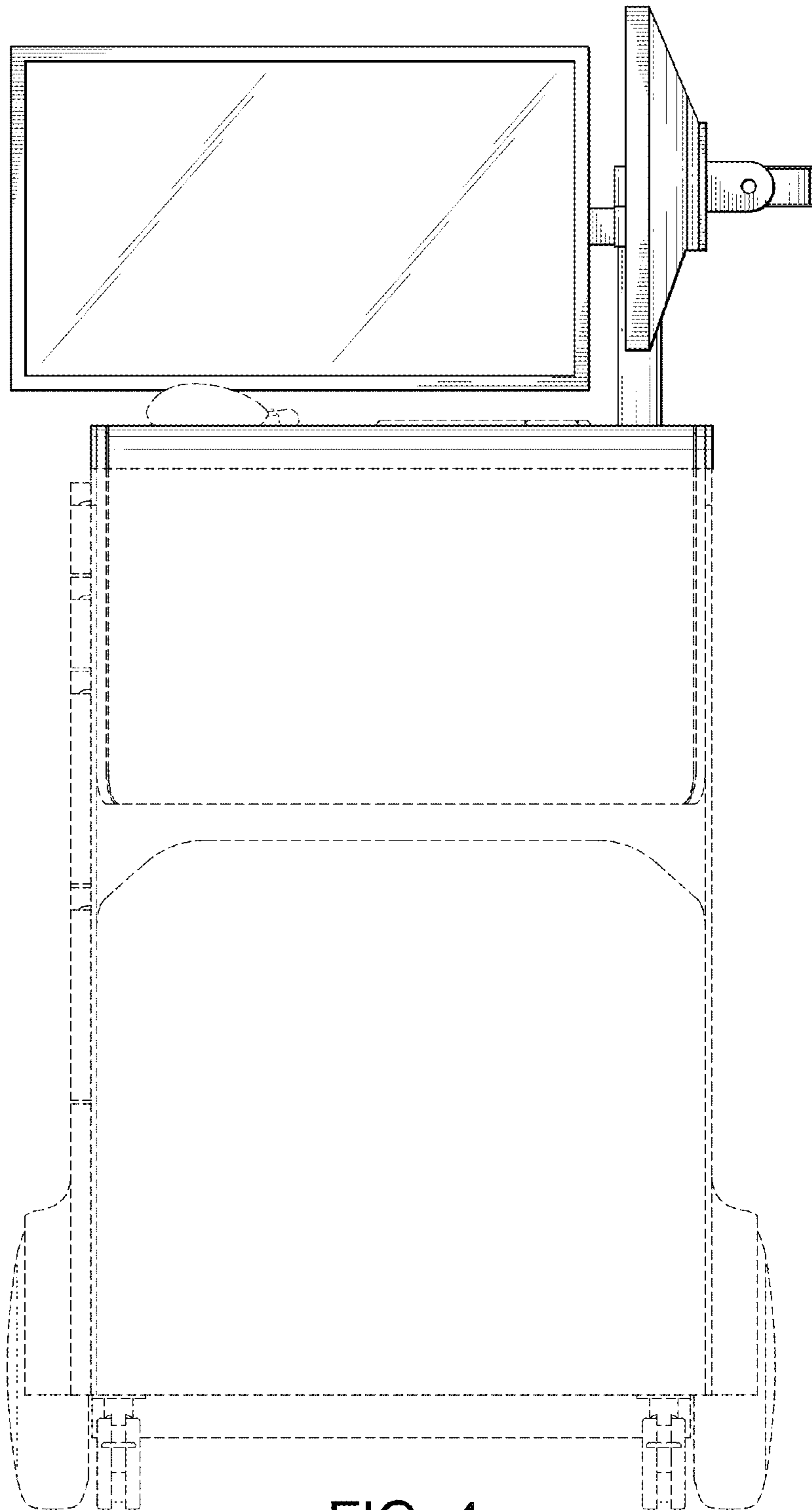


FIG. 4

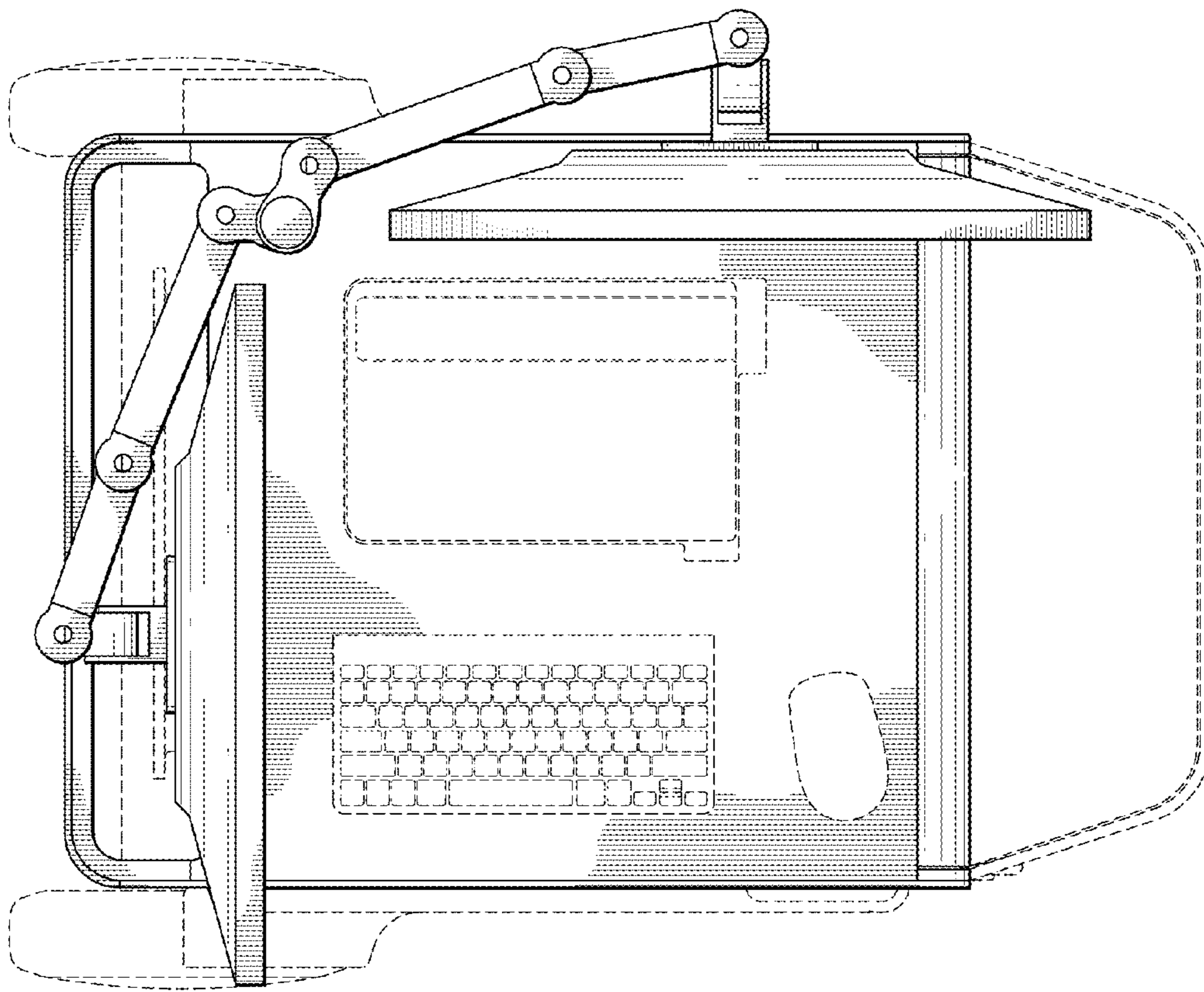


FIG. 5

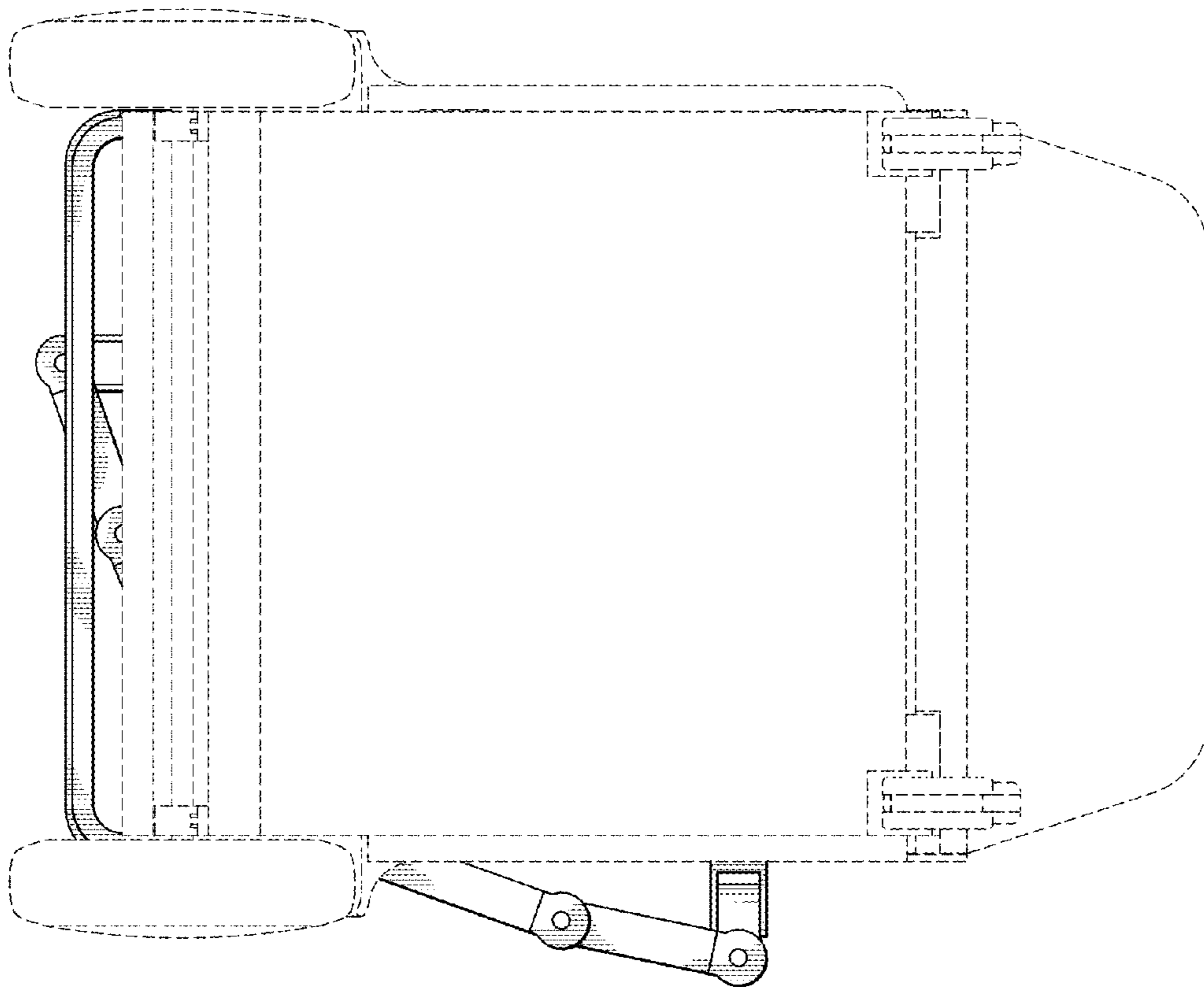


FIG. 6

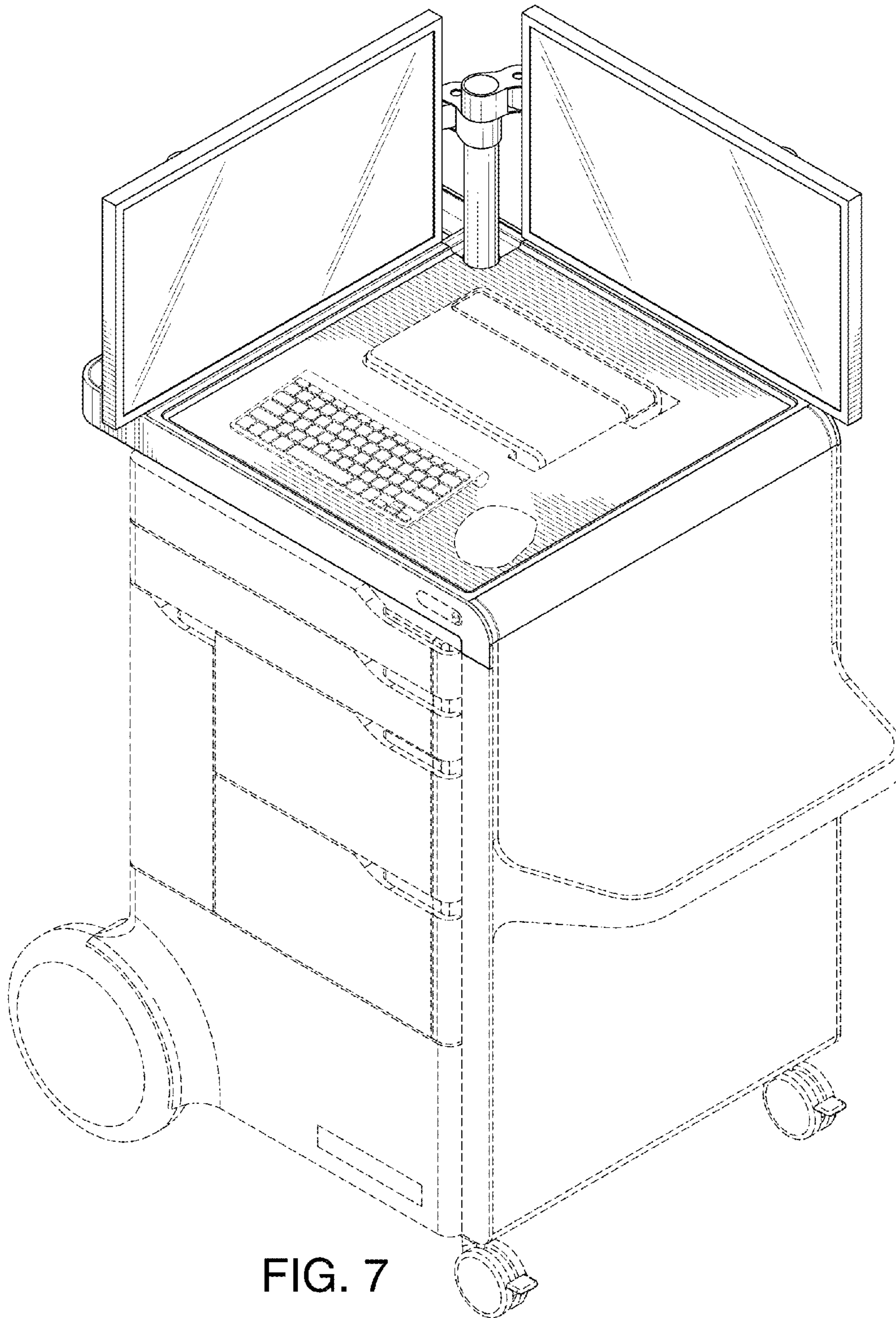


FIG. 7

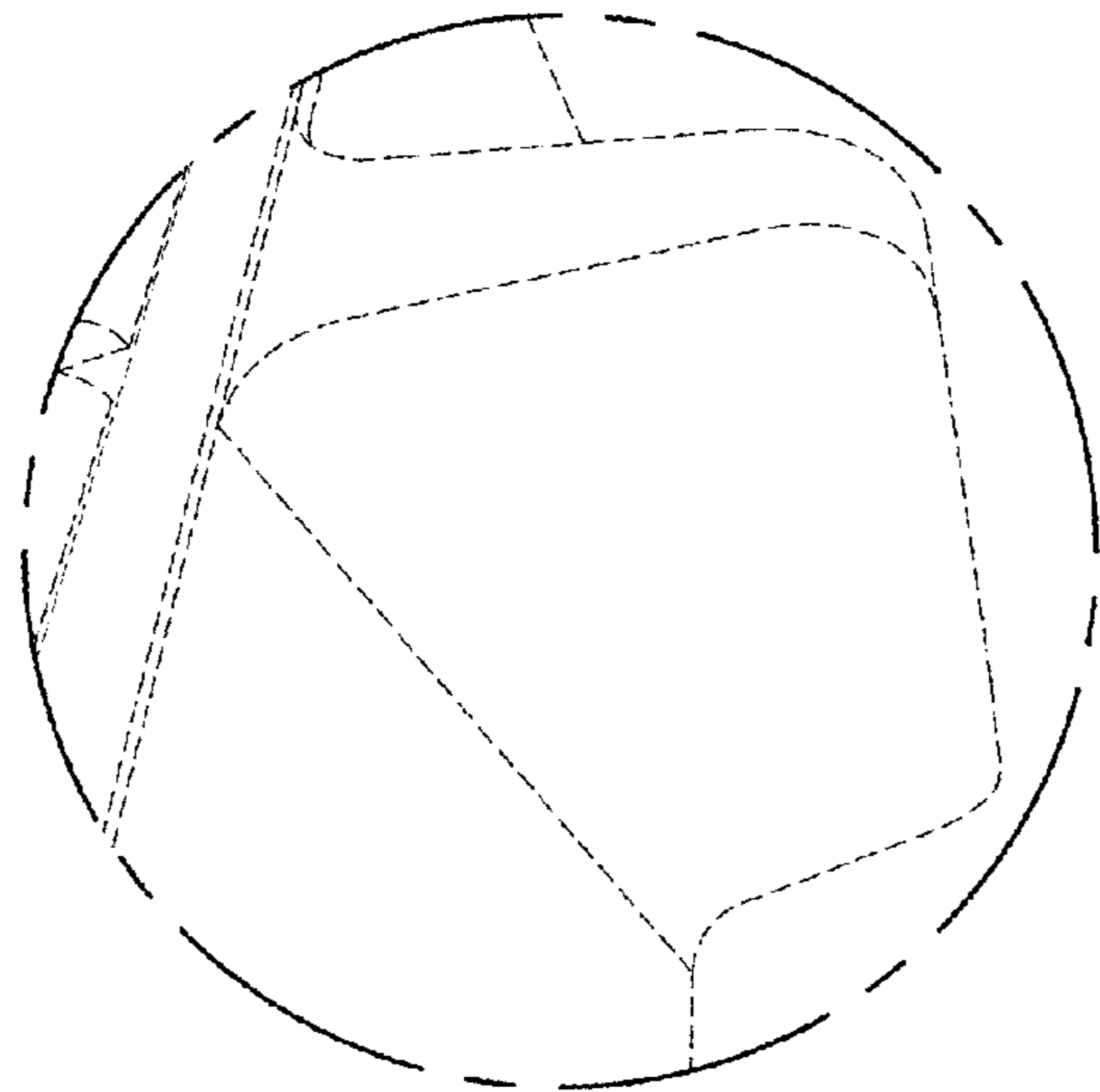


FIG. 8

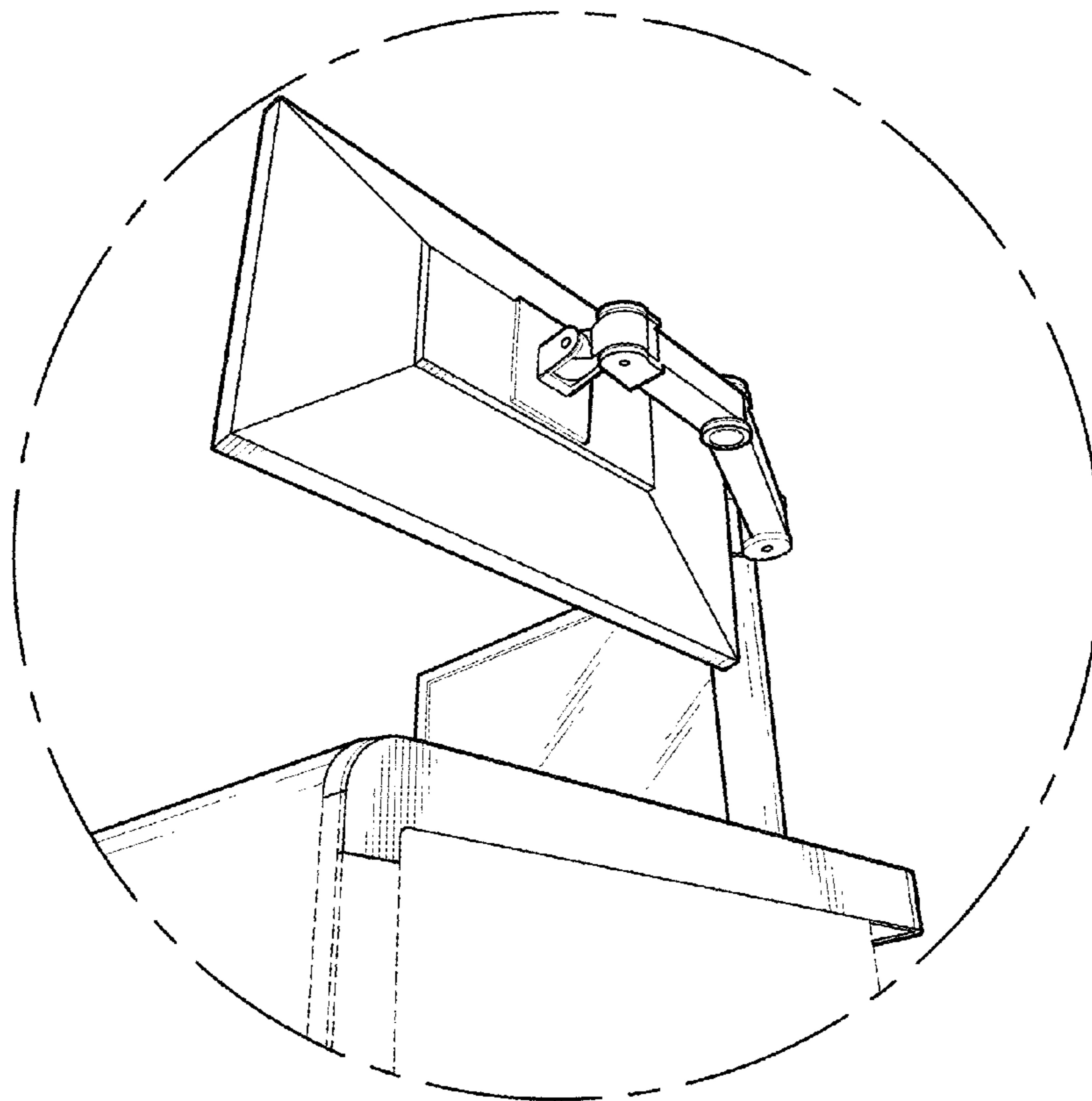


FIG. 9