



US00D722169S

(12) **United States Design Patent**
Ganley et al.

(10) **Patent No.:** **US D722,169 S**
(45) **Date of Patent:** **** Feb. 3, 2015**

(54) **HOLDER FOR CAD/CAM BLANKS**

(75) Inventors: **Robert A. Ganley**, Williamsville, NY
(US); **Dmitri Brodtkin**, Livingston, NJ
(US)

(73) Assignee: **Ivoclar Vivadent AG**, Schaan (LI)

(**) Term: **14 Years**

(21) Appl. No.: **29/364,071**

(22) Filed: **Jun. 18, 2010**

6,775,581	B2	8/2004	Landers et al.	
6,905,293	B1 *	6/2005	Filser et al.	409/84
6,979,496	B2	12/2005	Haymann et al.	
6,991,853	B2	1/2006	Branco de Luca et al.	
7,024,272	B2	4/2006	Thomas et al.	
7,110,849	B2	9/2006	Landers et al.	
7,214,435	B2	5/2007	Meyertholen et al.	
7,234,938	B2	6/2007	Bodenmiller	
7,604,759	B2	10/2009	Gubler et al.	
7,666,485	B2 *	2/2010	Lal et al.	428/34.1
D618,807	S *	6/2010	Konrad et al.	D24/181
D627,472	S *	11/2010	Wagner et al.	D24/181
D627,473	S *	11/2010	Wagner et al.	D24/181
D627,889	S *	11/2010	Wagner et al.	D24/181
8,021,154	B2	9/2011	Holzner et al.	

(Continued)

Related U.S. Application Data

(63) Continuation of application No. 12/329,200, filed on Dec. 5, 2008, which is a continuation-in-part of application No. 12/118,981, filed on May 12, 2008.

(51) **LOC (10) CL.** **24-04**

(52) **U.S. Cl.**
USPC **D24/181**

(58) **Field of Classification Search**
USPC D24/146, 152, 181; D8/61; 433/126,
433/80, 82, 88, 132, 190, 34, 53, 163, 206;
409/94, 131, 84, 105; 264/20, 16;
428/34.1, 542.8
See application file for complete search history.

(56) **References Cited**

U.S. PATENT DOCUMENTS

2,528,219	A	10/1950	Feagin	
5,383,752	A *	1/1995	Rheinberger et al.	409/105
6,224,371	B1	5/2001	DeLuca	
6,231,799	B1	5/2001	Kempf et al.	
6,454,568	B1 *	9/2002	Beuschel et al.	433/163
6,482,284	B1	11/2002	Reidt et al.	
6,485,305	B1	11/2002	Pfeiffer	
6,627,327	B2	9/2003	Reidt et al.	
6,660,400	B1	12/2003	Hintersehr	
6,669,875	B2	12/2003	Meyertholen et al.	
6,769,912	B2 *	8/2004	Beuschel et al.	433/163

FOREIGN PATENT DOCUMENTS

DE	102008030050	8/2009
JP	2001-54525 A	2/2001

(Continued)

Primary Examiner — Ian Simmons

Assistant Examiner — Charles Hanson

(74) *Attorney, Agent, or Firm* — Ann M. Knab; Thad McMurray

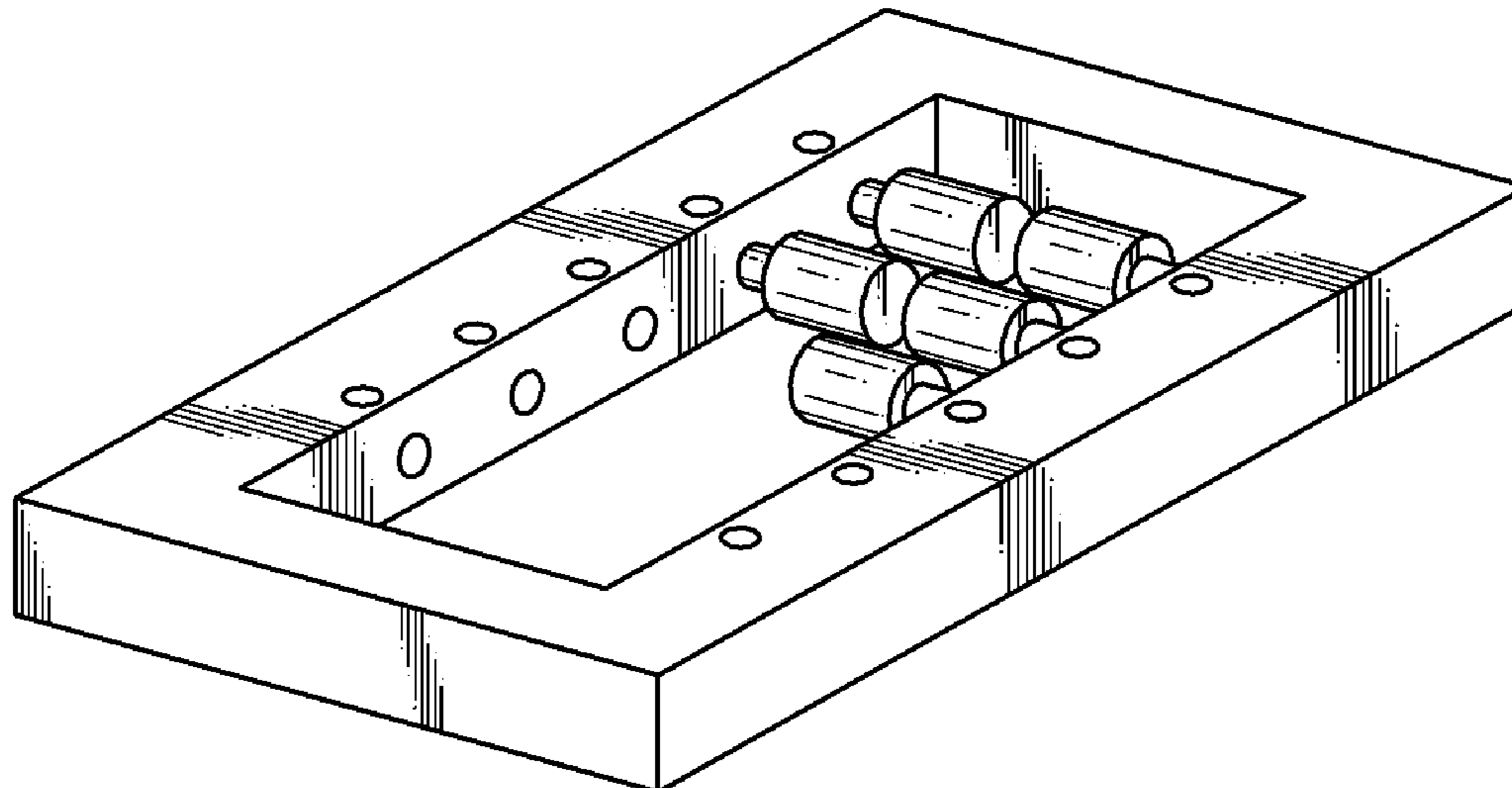
(57) **CLAIM**

The ornamental design for a holder for CAD/CAM blanks, as shown and described.

DESCRIPTION

FIG. 1 is a perspective view of a holder for CAD/CAM blanks, showing our new design; FIG. 2 is a top plan view thereof; FIG. 3 is front elevational view thereof, the rear elevational view being a mirror image; FIG. 4 is a right side elevational view thereof, the left side being a mirror image; and, FIG. 5 is a bottom plan view thereof.

1 Claim, 1 Drawing Sheet



(56)

References Cited

U.S. PATENT DOCUMENTS

D675,325 S 1/2013 Ganley et al.
2002/0137002 A1 9/2002 Bodenmiller
2003/0031984 A1 2/2003 Rusin et al.
2003/0132539 A1* 7/2003 Althoff et al. 264/16
2006/0106485 A1 5/2006 Landers et al.
2006/0115794 A1 6/2006 Sager
2007/0048689 A1 3/2007 Holzner et al.
2007/0136031 A1 6/2007 Feldman et al.
2007/0275352 A1 11/2007 Gubler et al.
2008/0241798 A1 10/2008 Holzner et al.

2009/0130634 A1* 5/2009 Ganley et al. 433/206
2009/0274994 A1 11/2009 Jung et al.
2009/0275000 A1 11/2009 Jung et al.
2010/0028836 A1 2/2010 Gubler et al.
2011/0042880 A1* 2/2011 Konrad et al. 269/287
2012/0214133 A1 8/2012 Jung

FOREIGN PATENT DOCUMENTS

JP 2007-531539 A 11/2007
WO 2005/007007 A2 1/2005

* cited by examiner

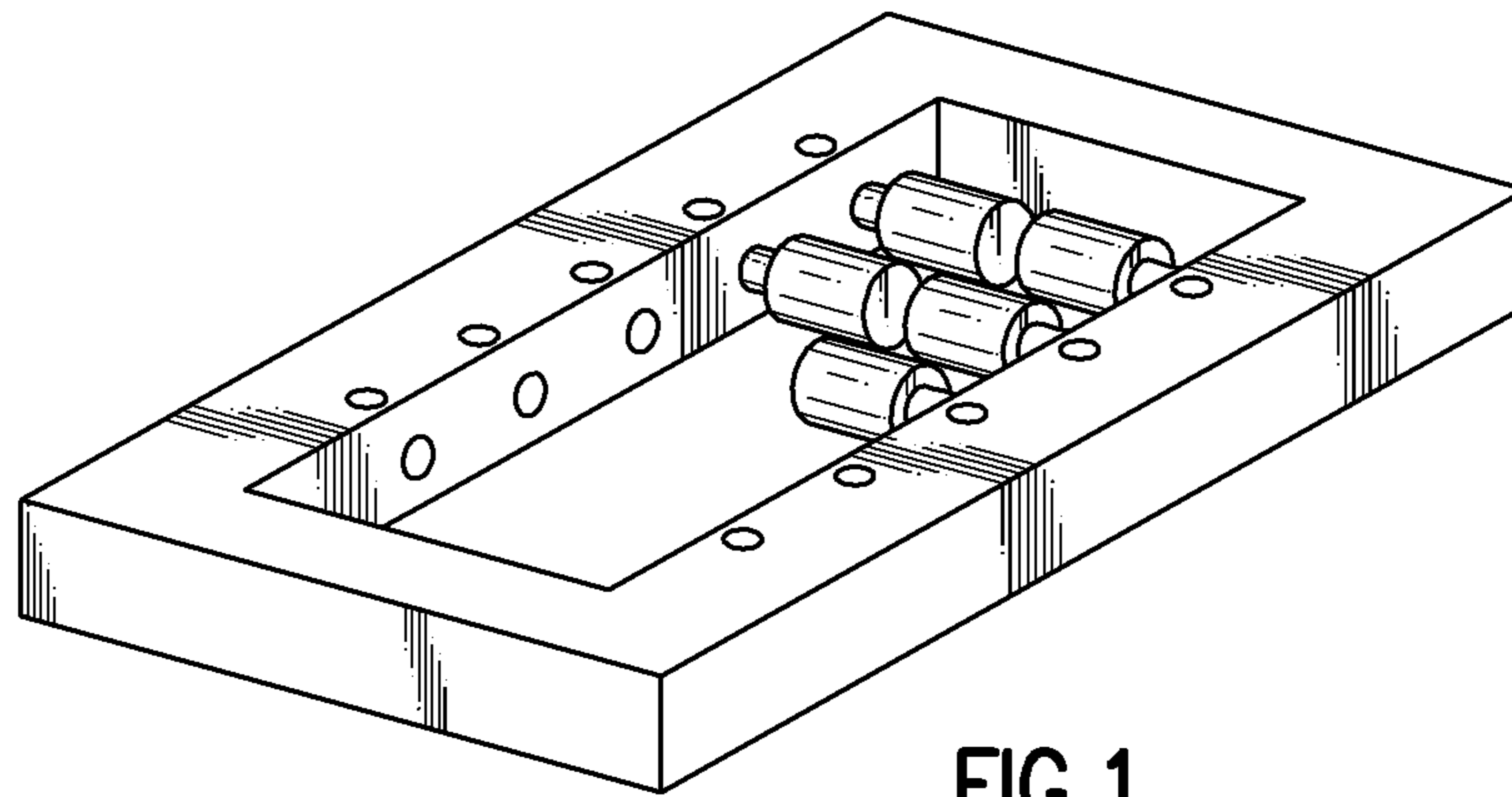


FIG. 1

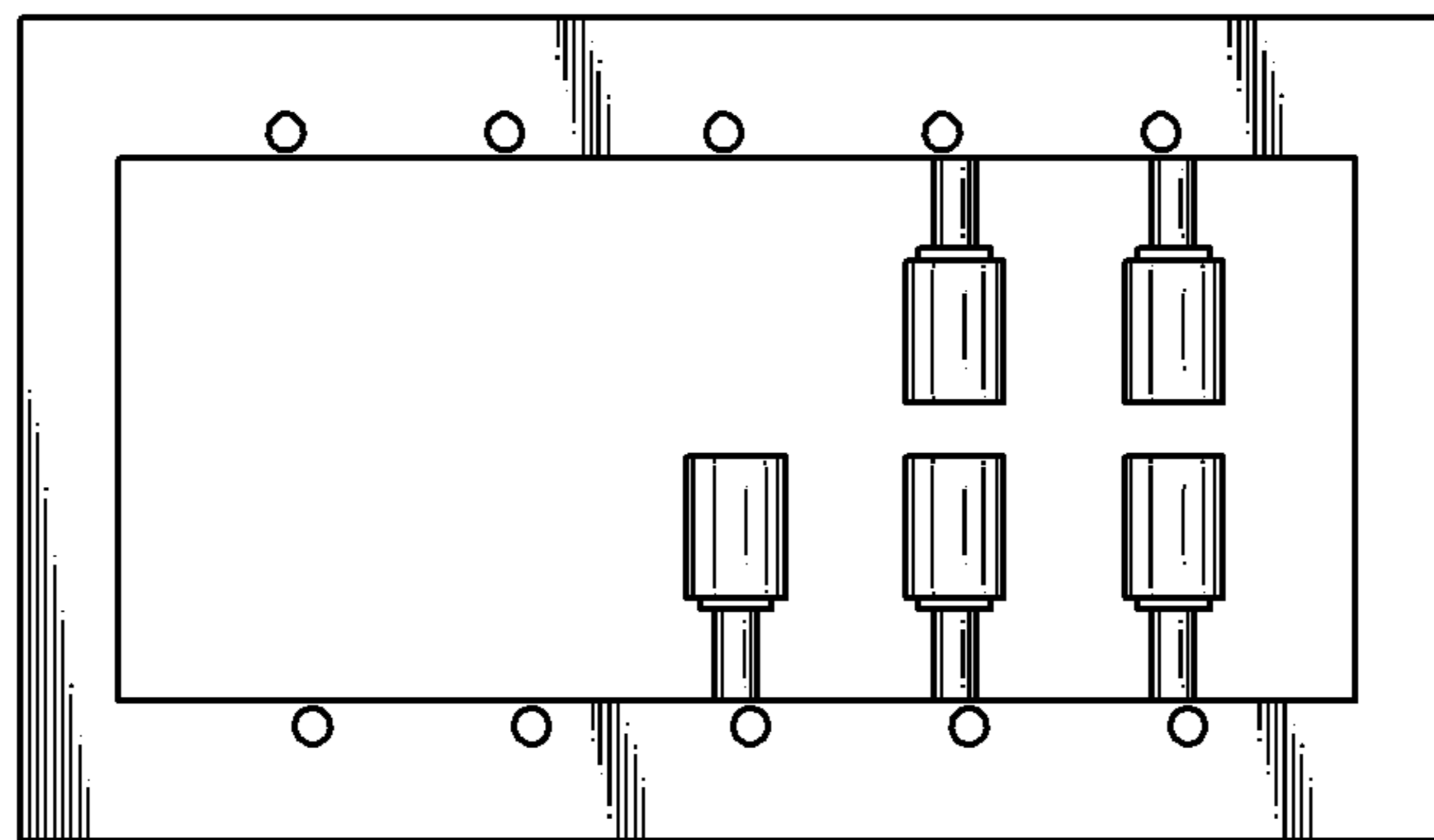


FIG. 2

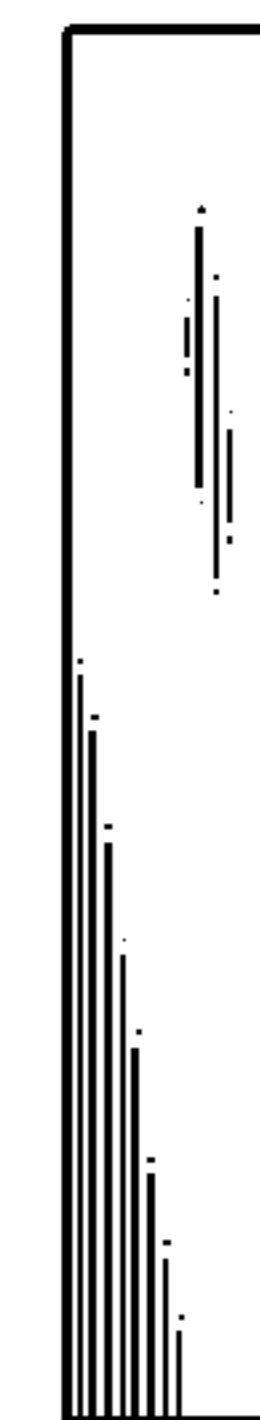


FIG. 4

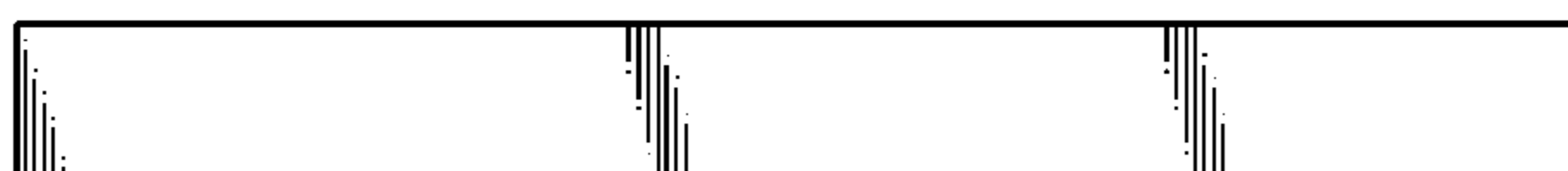


FIG. 3

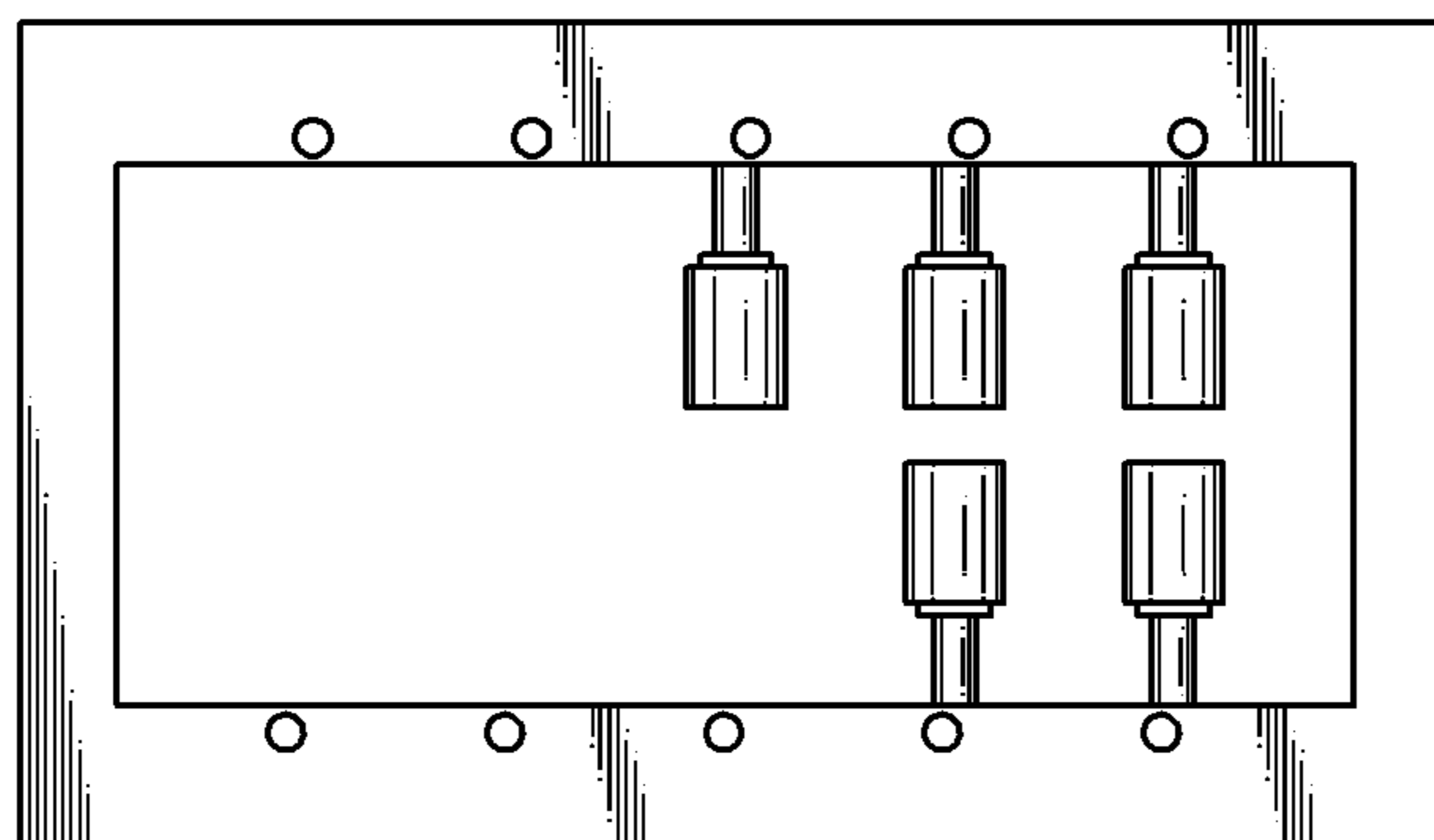


FIG. 5