



US00D722166S

(12) **United States Design Patent**  
**Buehl et al.**

(10) **Patent No.:** **US D722,166 S**  
(45) **Date of Patent:** **\*\* Feb. 3, 2015**

(54) **MICROPHONE FOR HEARING AIDS**

(71) Applicant: **Phonak AG**, Stafa (CH)

(72) Inventors: **Markus Buehl**, Cudrefin (CH);  
**Christoph Schmid**, Zimmerwald (CH);  
**Gerard Palix**, Biel/Bienne (CH)

(73) Assignee: **Phonak AG**, Stafa (CH)

(\*\*) Term: **14 Years**

(21) Appl. No.: **29/453,011**

(22) Filed: **Apr. 24, 2013**

(51) **LOC (10) Cl.** ..... **24-99**

(52) **U.S. Cl.**  
USPC ..... **D24/174; D14/228**

(58) **Field of Classification Search**  
USPC ..... D24/173-175, 151; D14/205, 206,  
D14/223-226, 249, 228; 381/23.1, 312,  
381/322-324, 328, 330, 380, 381, 91, 319,  
381/355, 364, 369, 174; 181/135

See application file for complete search history.

(56) **References Cited**

**U.S. PATENT DOCUMENTS**

D173,367 S *	11/1954	McKay	.....	D14/228
D278,625 S *	4/1985	Mathiasen	.....	D14/228
D296,435 S *	6/1988	Kubota	.....	D14/228
D369,865 S *	5/1996	Newton	.....	D24/173
D479,227 S *	9/2003	Marshall	.....	D14/228

D593,999 S *	6/2009	Mauritzsson	.....	D14/225
D603,516 S *	11/2009	Mori et al.	.....	D24/174
D625,418 S *	10/2010	Borregaard	.....	D24/174
D632,680 S *	2/2011	Anneback	.....	D14/228
D635,678 S *	4/2011	Laperle et al.	.....	D24/174
D644,625 S *	9/2011	Iseki	.....	D14/206
2003/0118204 A1 *	6/2003	Kawasaki et al.	.....	381/355

\* cited by examiner

*Primary Examiner* — Anhdao Doan

(74) *Attorney, Agent, or Firm* — Rankin, Hill & Clark LLP

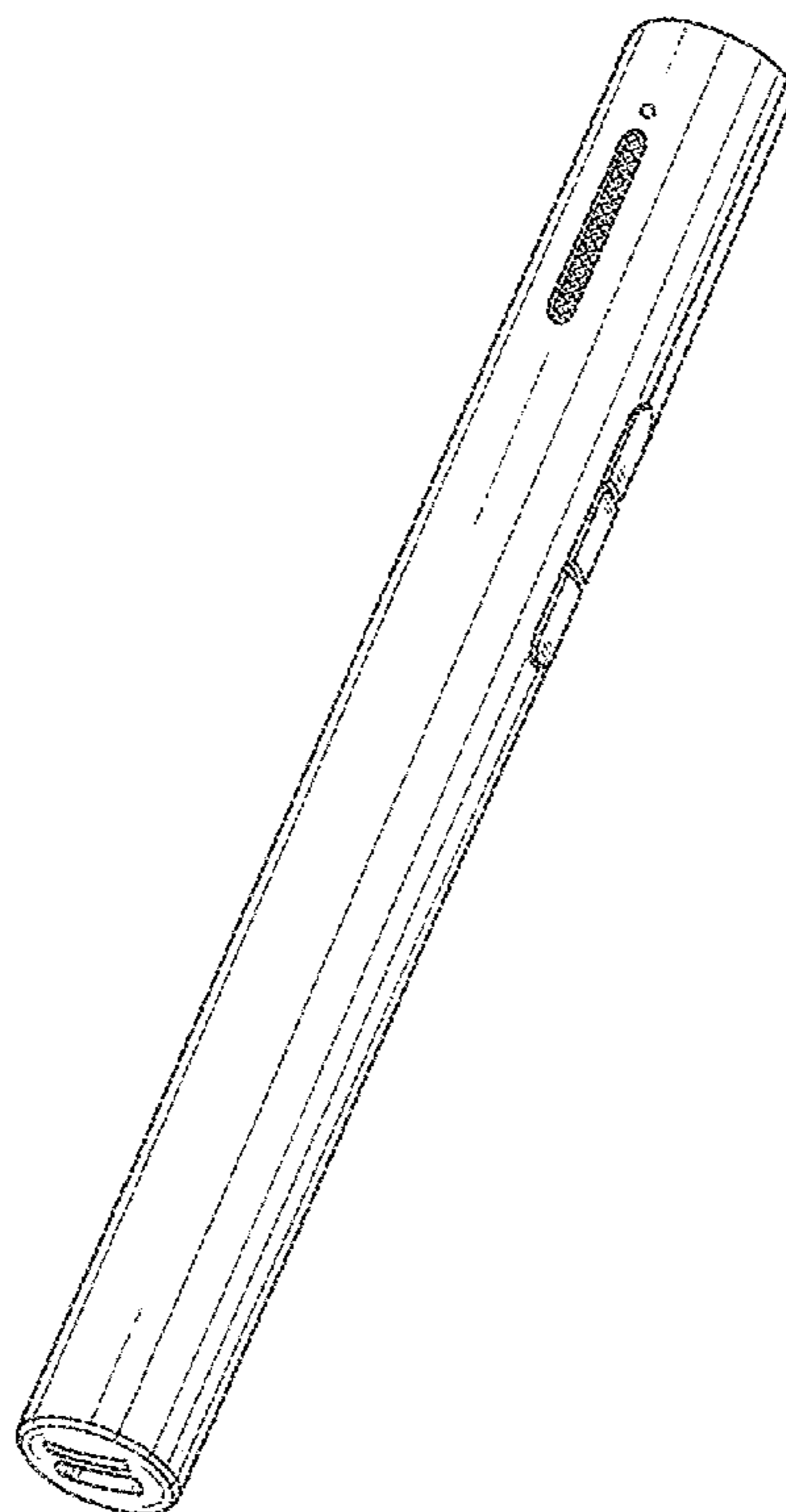
(57) **CLAIM**

We claim the ornamental design for a microphone for hearing aids, as shown and described.

**DESCRIPTION**

FIG. 1 is a first perspective view of a microphone for hearing aids embodying the design;  
 FIG. 2 is a second perspective view of the microphone for hearing aids shown in FIG. 1;  
 FIG. 3 is a bottom view of the microphone for hearing aids shown in FIG. 1;  
 FIG. 4 is a right side view of the microphone for hearing aids shown in FIG. 1;  
 FIG. 5 is a front view of microphone for hearing aids shown in FIG. 1;  
 FIG. 6 is a left side view of microphone for hearing aids shown in FIG. 1;  
 FIG. 7 is a rear view of the microphone for hearing aids shown in FIG. 1; and,  
 FIG. 8 is a top view of the microphone for hearing aids shown in FIG. 1.

**1 Claim, 2 Drawing Sheets**



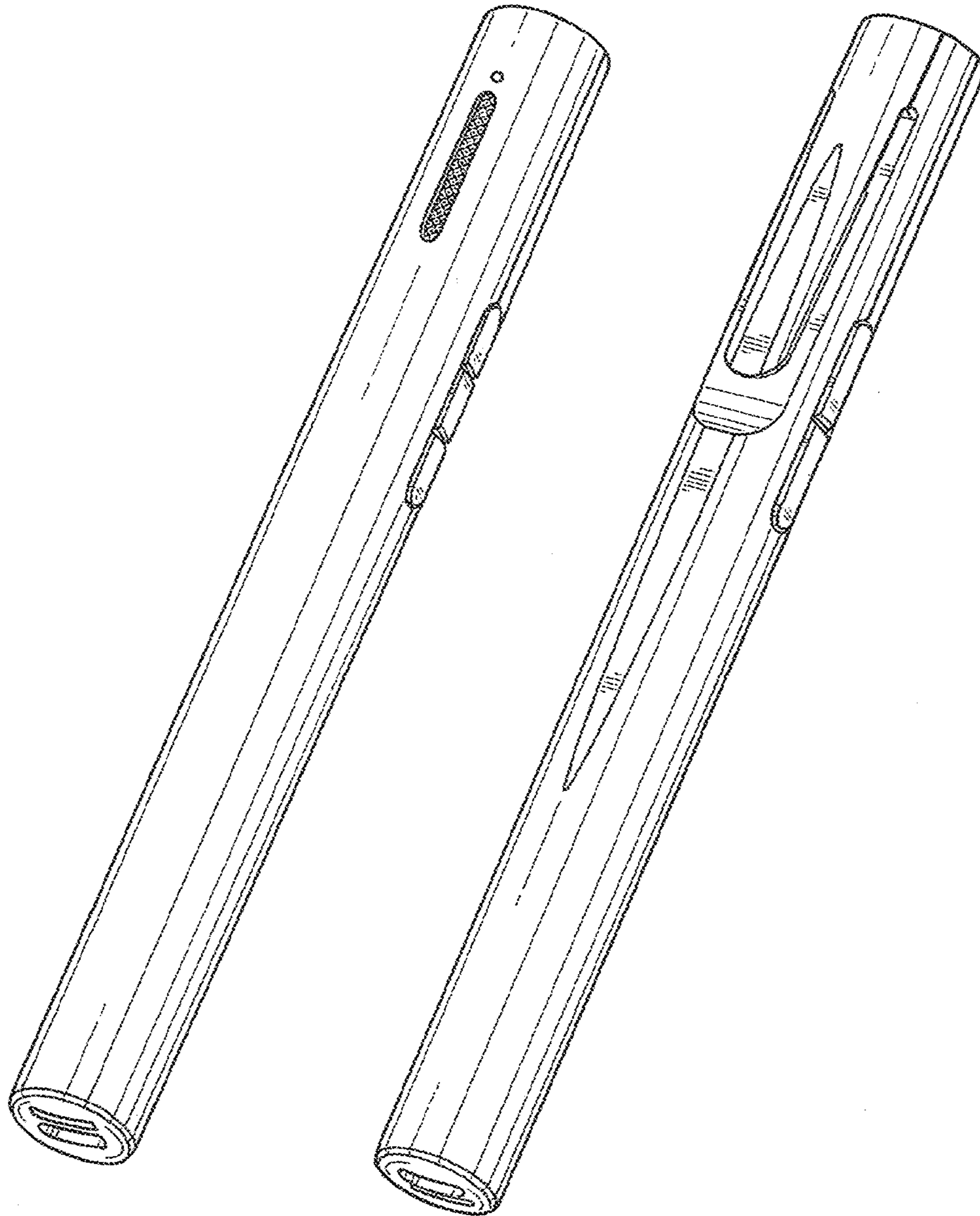


FIG. 1

FIG. 2

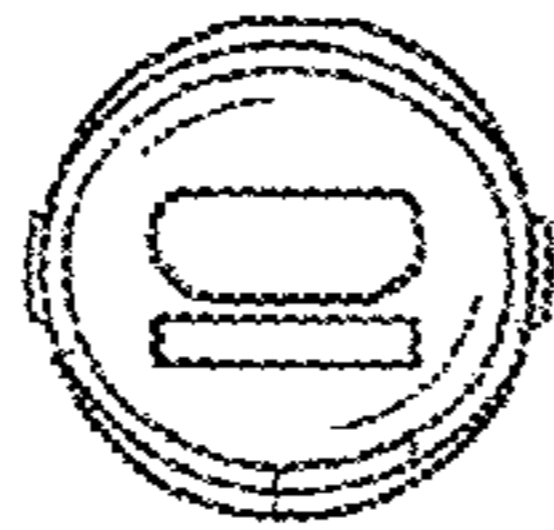


FIG. 3

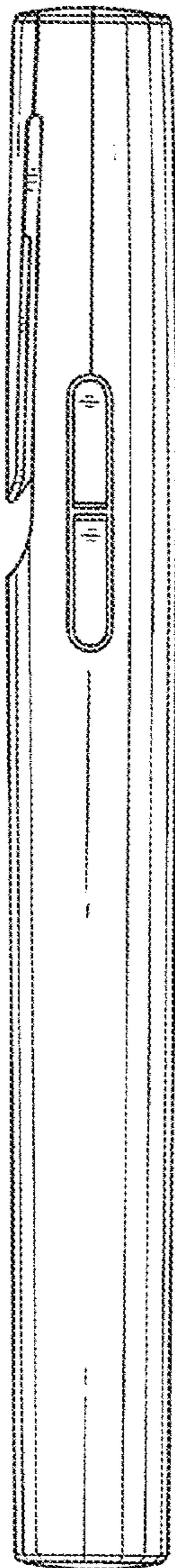


FIG. 4

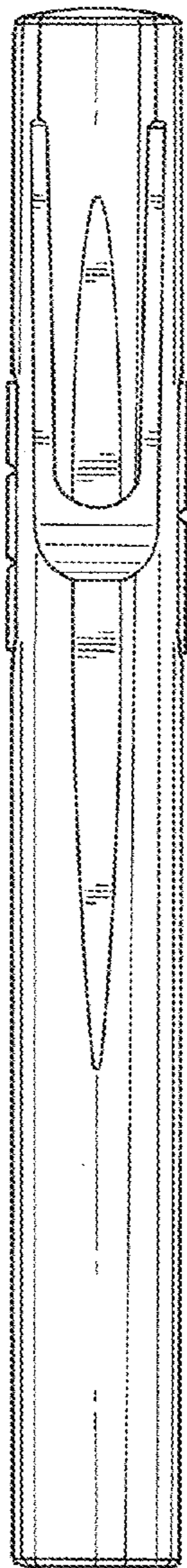


FIG. 5

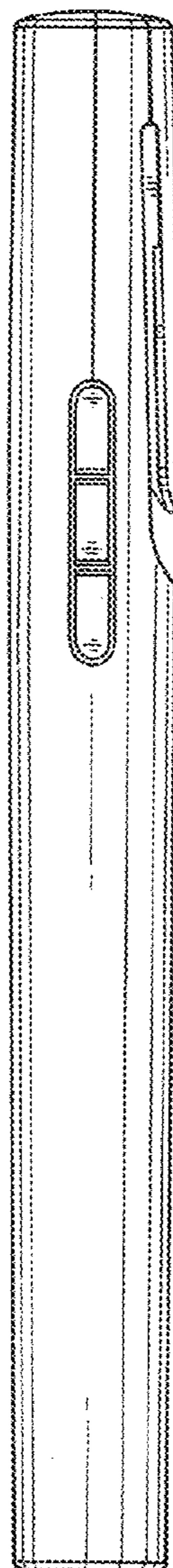


FIG. 6

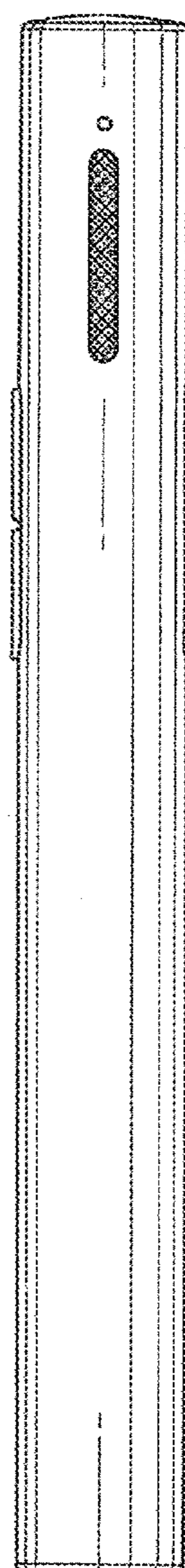


FIG. 7

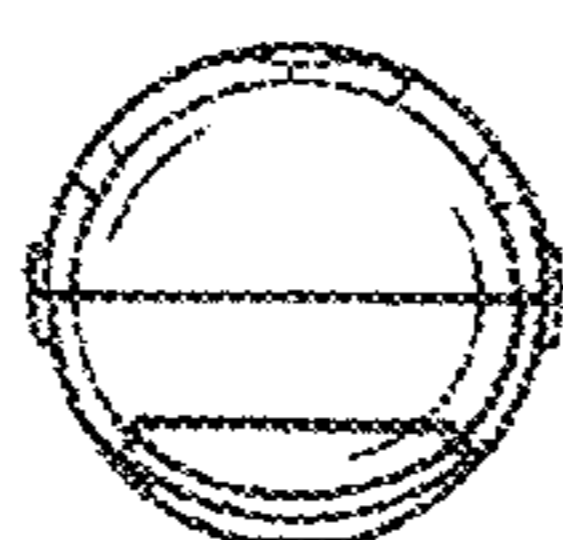


FIG. 8