



US00D722157S

(12) **United States Design Patent**
Wiegel et al.

(10) **Patent No.:** **US D722,157 S**

(45) **Date of Patent:** **** Feb. 3, 2015**

(54) **CANNULA CONNECTOR**

(56) **References Cited**

(75) Inventors: **Heinz Wiegel**, Alheim (DE); **Iris Blum**,
Fuldabrueck (DE); **Martin Sippel**,
Melsungen (DE); **Helmut Freigang**,
Koerle (DE); **Benjamin Olson**,
Fuldabrueck (DE); **Thilo Hoglebe**,
Hamburg (DE); **Fred Held**, Hamburg
(DE)

U.S. PATENT DOCUMENTS

D644,731	S	*	9/2011	Fangrow, Jr.	D24/129
2003/0209681	A1	*	11/2003	Leinsing et al.	251/149.1
2005/0165365	A1	*	7/2005	Newton et al.	604/246
2007/0043334	A1	*	2/2007	Guala	604/533
2007/0224865	A1	*	9/2007	Fangrow	439/205
2008/0249508	A1	*	10/2008	Lopez et al.	604/533
2010/0036330	A1	*	2/2010	Plishka et al.	604/256
2011/0137294	A1	*	6/2011	Calimeri et al.	604/533
2013/0150795	A1	*	6/2013	Snow	604/174
2013/0338608	A1	*	12/2013	Moorehead et al.	604/246

(73) Assignee: **B. Braun Melsungen AB**, Melsungen
(DE)

* cited by examiner

(**) Term: **14 Years**

Primary Examiner — Deanna L Pratt

Assistant Examiner — Ieisha Price

(21) Appl. No.: **29/426,670**

(74) *Attorney, Agent, or Firm* — Ohlandt, Greeley, Ruggiero
& Perle, LLP

(22) Filed: **Jul. 9, 2012**

(57) **CLAIM**

The ornamental design for the cannula connector, as shown
and described.

(30) **Foreign Application Priority Data**

DESCRIPTION

Jan. 9, 2012 (EM) 00197282900010003

(51) **LOC (10) Cl.** **24-02**

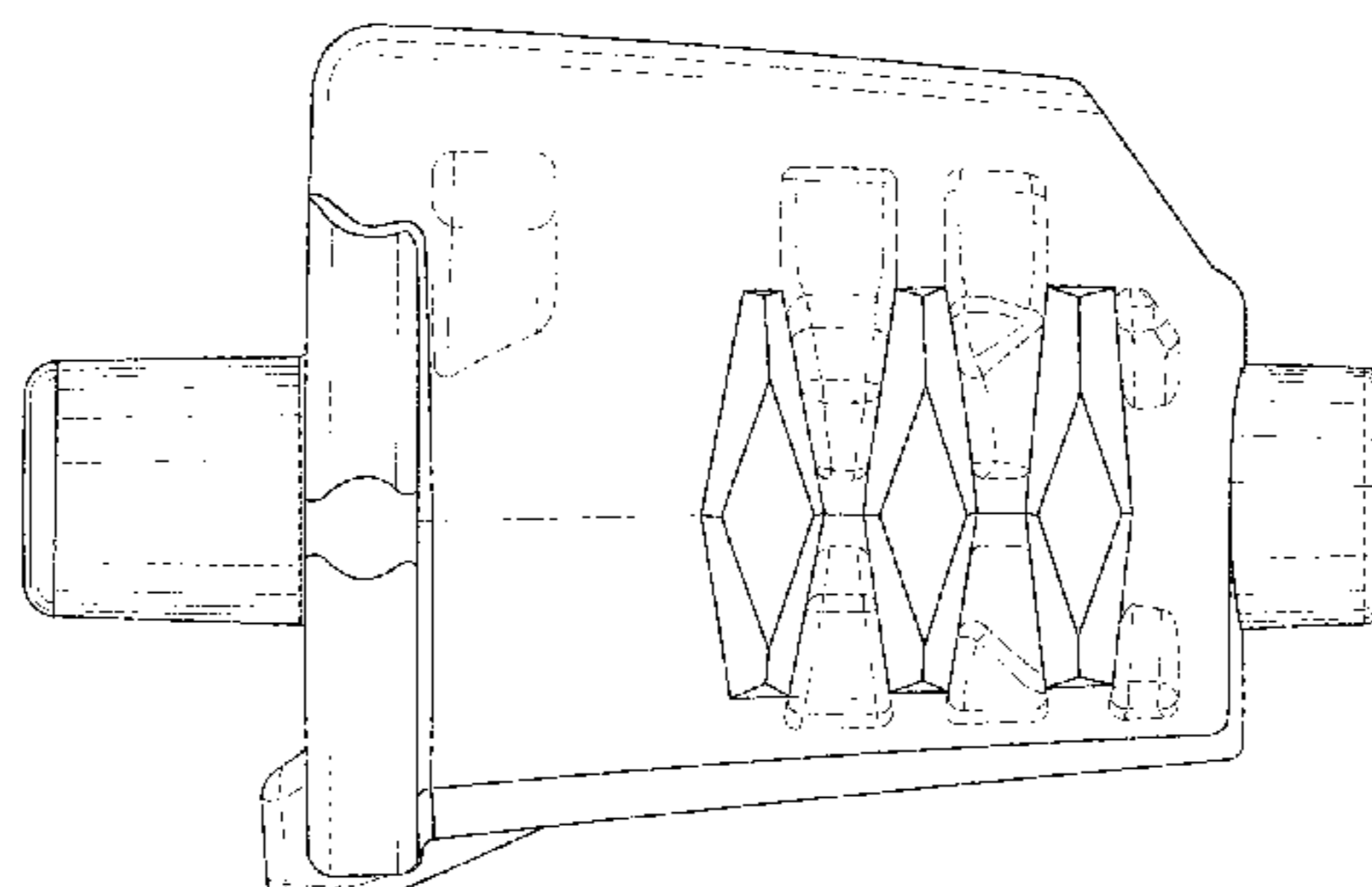
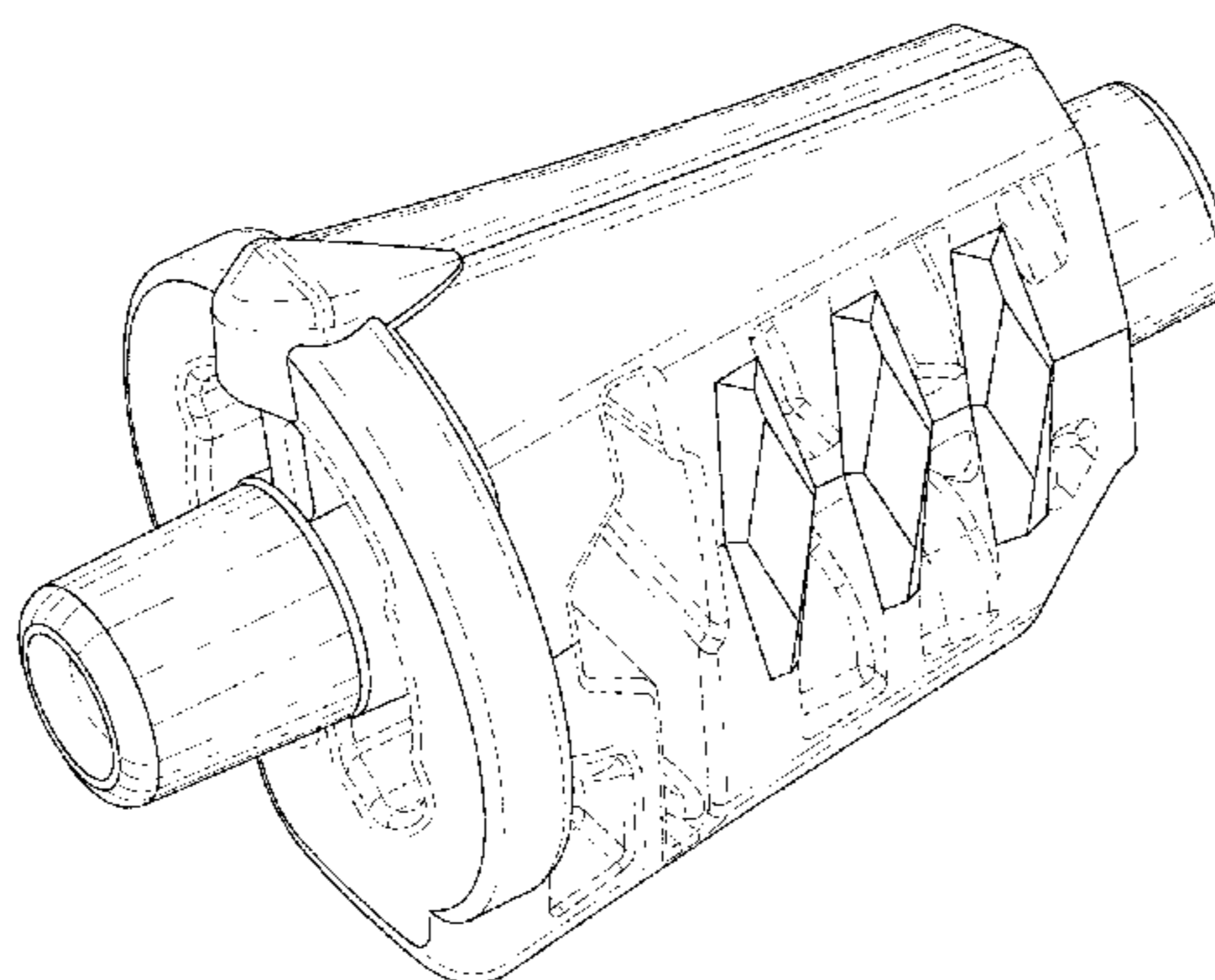
(52) **U.S. Cl.**
USPC **D24/112**

(58) **Field of Classification Search**
CPC A61M 39/10; A61M 39/1011; A61M
2039/1077; A61M 2039/1038
USPC D24/107, 108, 110, 110.6; 604/19, 48,
604/93.1, 246, 533, 537, 538, 905

FIG. 1 is a bottom, rear, left-side perspective view of a can-
nula connector according to the present invention;
FIG. 2 is a top plan view of the cannula connector of FIG. 1;
FIG. 3 is a bottom view of the cannula connector of FIG. 1;
FIG. 4 is a right side view of the cannula connector of FIG. 1;
FIG. 5 is a left side view of the cannula connector of FIG. 1;
FIG. 6 is a front plan view of the cannula connector of FIG. 1;
and,
FIG. 7 is a rear plan view of the cannula connector of FIG. 1.
The broken lines in the drawings illustrating portions of the
cannula connector that form no part of the claimed design.

See application file for complete search history.

1 Claim, 6 Drawing Sheets



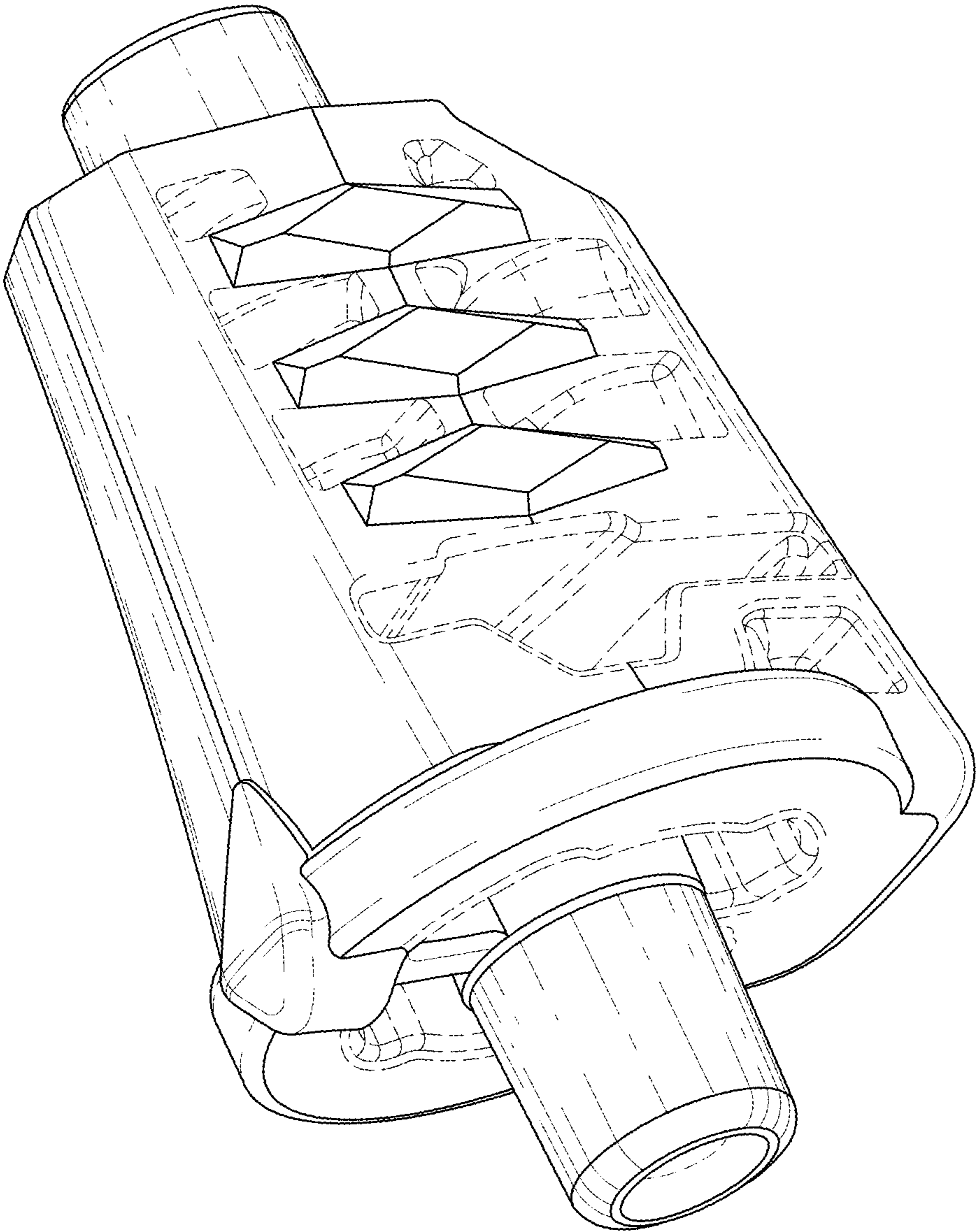


FIG. 1

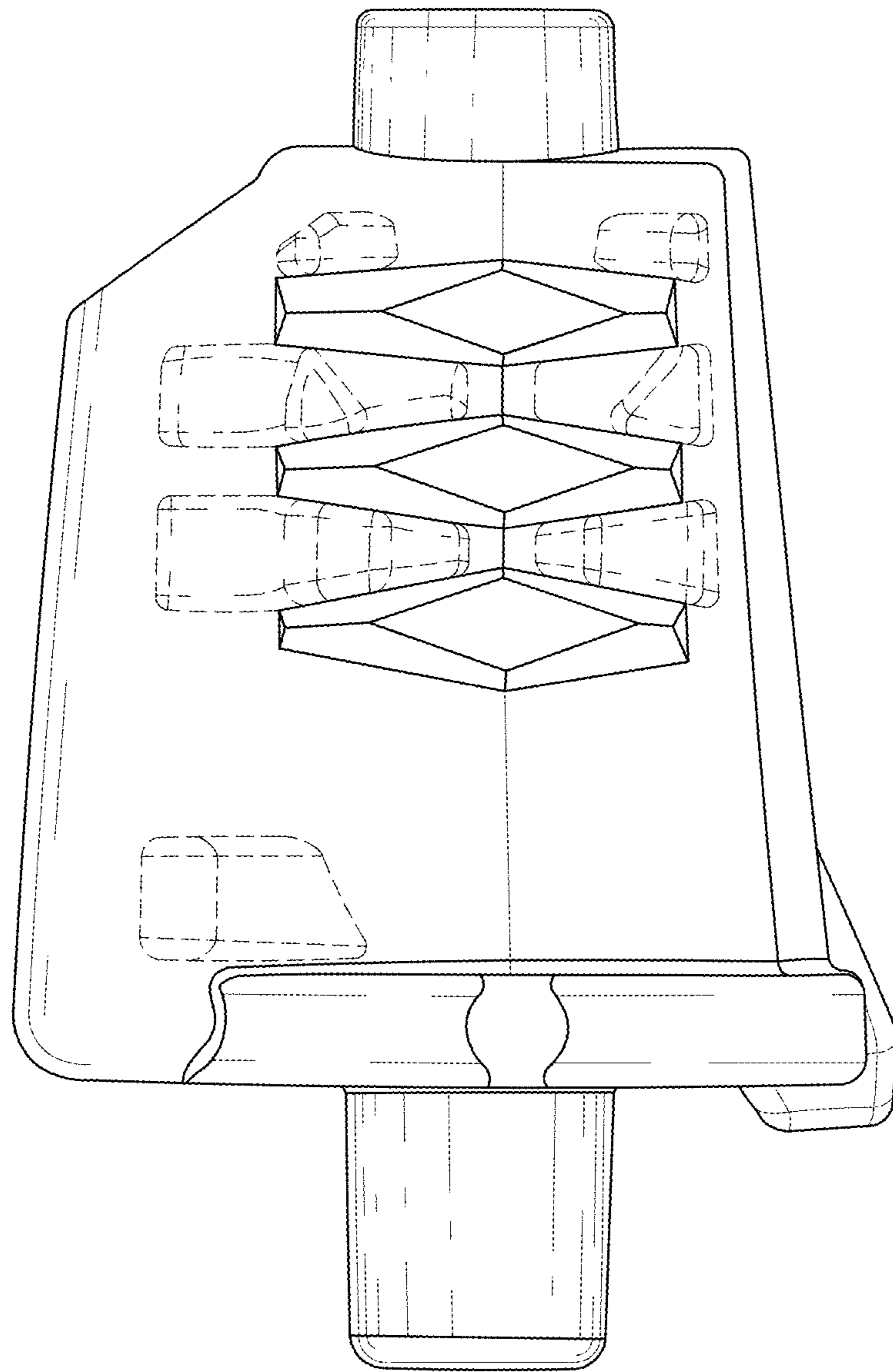


FIG. 2

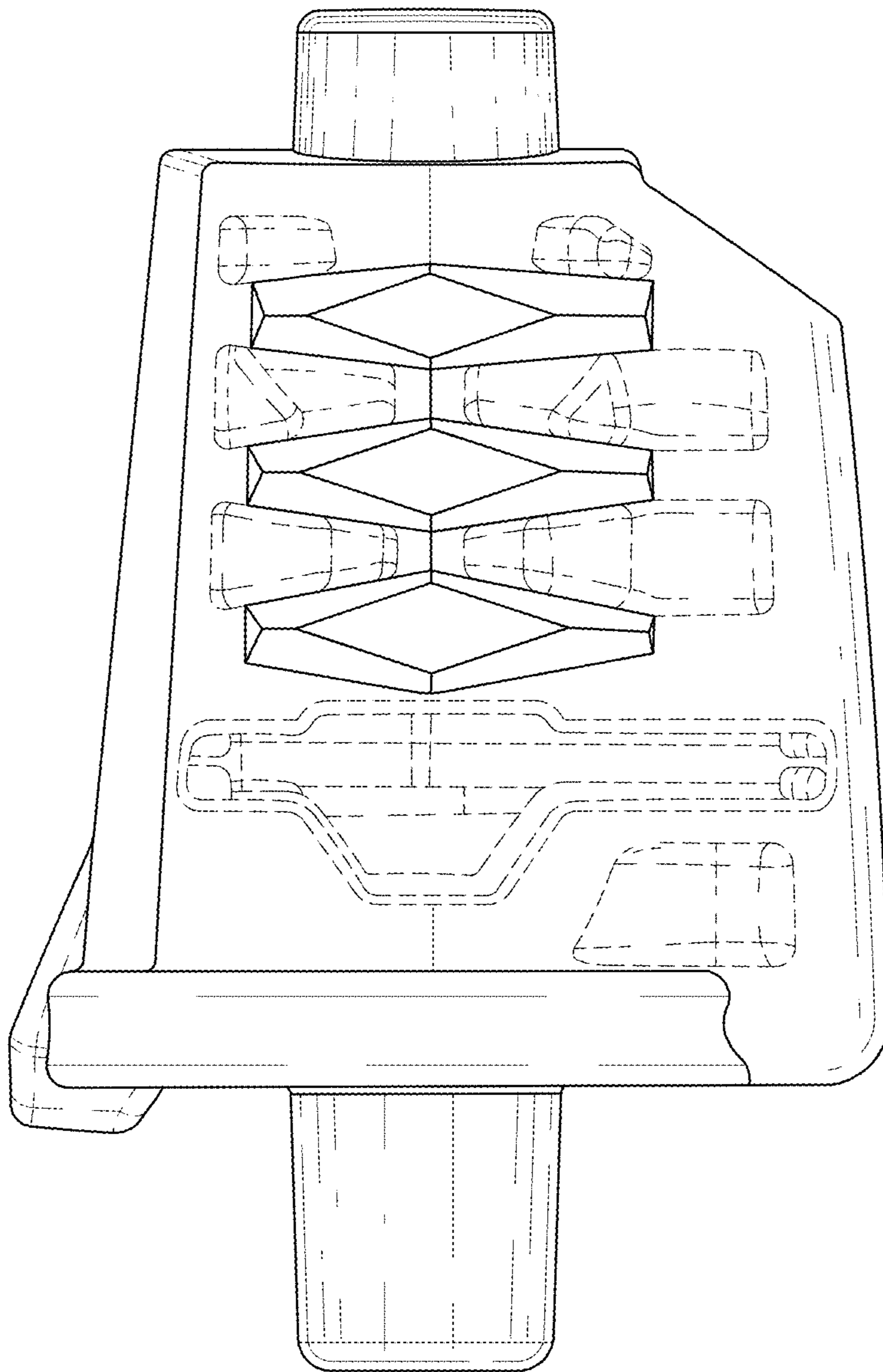


FIG. 3

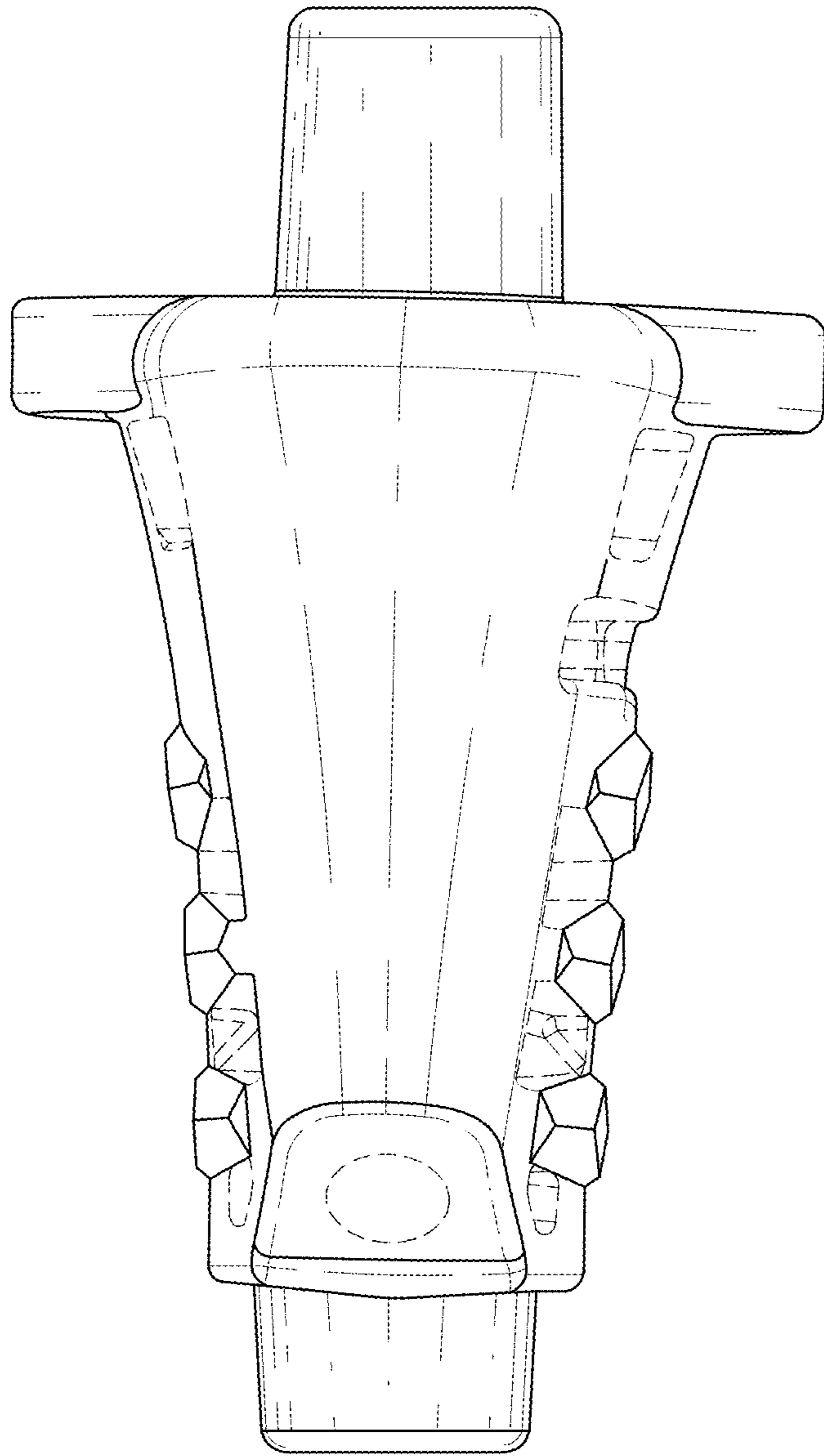


FIG. 4

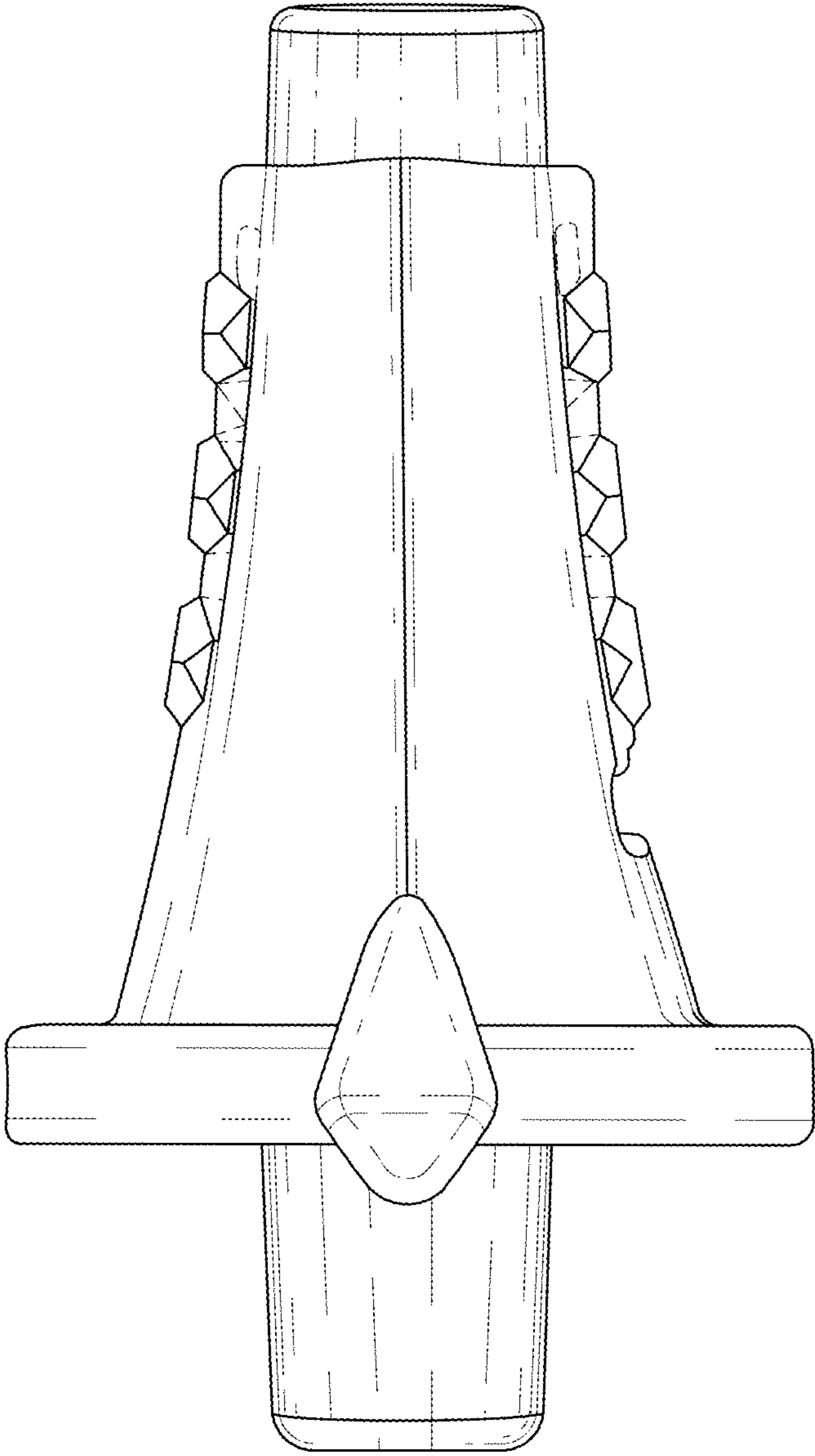


FIG. 5

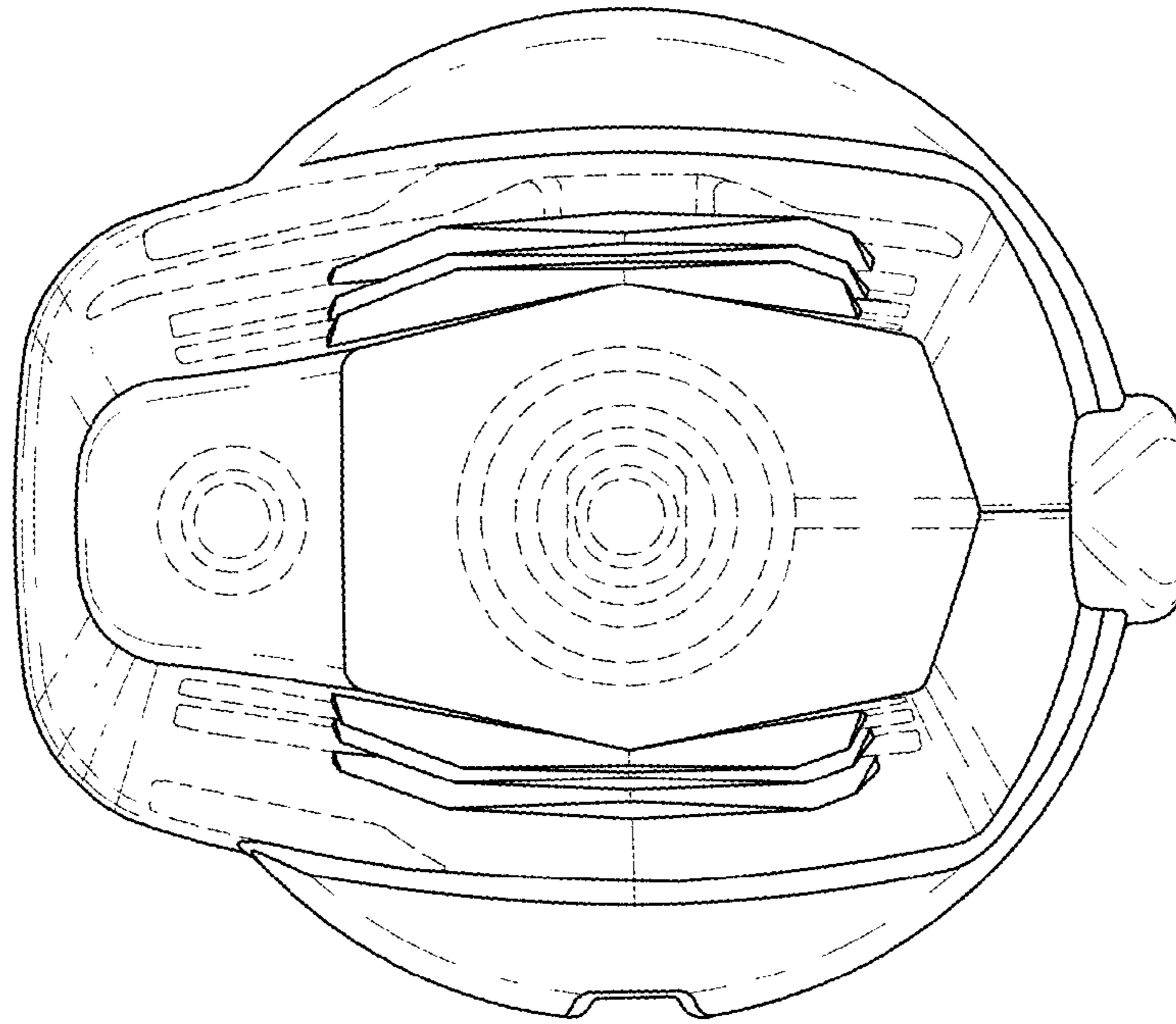


FIG. 6

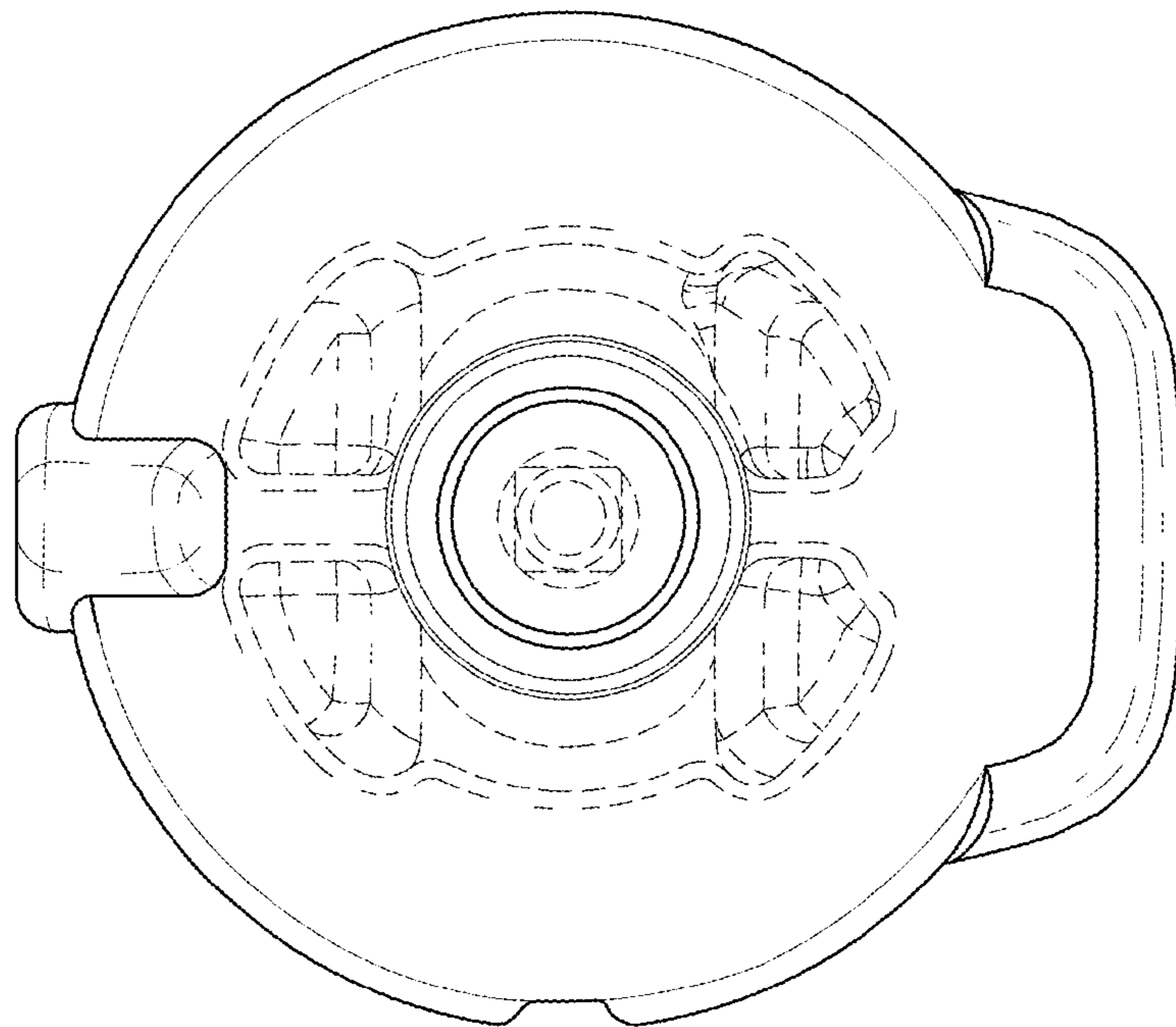


FIG. 7

UNITED STATES PATENT AND TRADEMARK OFFICE
CERTIFICATE OF CORRECTION

PATENT NO. : D722,157 S
APPLICATION NO. : 29/426670
DATED : February 3, 2015
INVENTOR(S) : Wiegel et al.

Page 1 of 1

It is certified that error appears in the above-identified patent and that said Letters Patent is hereby corrected as shown below:

Title Page

Under "Assignee":

(73) – please correct: "B. Braun Melsungen AB" to
"B. Braun Melsungen AG"

Signed and Sealed this
Eighteenth Day of October, 2016



Michelle K. Lee
Director of the United States Patent and Trademark Office