



US00D722156S

(12) **United States Design Patent**  
**Wiegel et al.**

(10) **Patent No.:** **US D722,156 S**

(45) **Date of Patent:** **\*\* Feb. 3, 2015**

(54) **CANNULA CONNECTOR**

(56) **References Cited**

(75) Inventors: **Heinz Wiegel**, Alheim (DE); **Iris Blum**, Fuldabrueck (DE); **Martin Sippel**, Melsungen (DE); **Helmut Freigang**, Koerle (DE); **Benjamin Olson**, Fuldabrueck (DE); **Thilo Hogrebe**, Hamburg (DE); **Fred Held**, Hamburg (DE)

U.S. PATENT DOCUMENTS

D644,731	S	*	9/2011	Fangrow, Jr.	.....	D24/129
2003/0209681	A1	*	11/2003	Leinsing et al.	.....	251/149.1
2005/0165365	A1	*	7/2005	Newton et al.	.....	604/246
2007/0043334	A1	*	2/2007	Guala	.....	604/533
2007/0224865	A1	*	9/2007	Fangrow	.....	439/205
2008/0249508	A1	*	10/2008	Lopez et al.	.....	604/533
2010/0036330	A1	*	2/2010	Plishka et al.	.....	604/256
2011/0137294	A1	*	6/2011	Calimeri et al.	.....	604/533
2013/0150795	A1	*	6/2013	Snow	.....	604/174
2013/0338608	A1	*	12/2013	Moorehead et al.	.....	604/246

(73) Assignee: **B. Braun Melsungen AG**, Melsungen (DE)

\* cited by examiner

(\*\*) Term: **14 Years**

*Primary Examiner* — Deanna L Pratt

*Assistant Examiner* — Ieisha Price

(21) Appl. No.: **29/426,667**

(74) *Attorney, Agent, or Firm* — Ohlandt, Greeley, Ruggiero & Perle, LLP

(22) Filed: **Jul. 9, 2012**

(57) **CLAIM**

The ornamental design for the cannula connector, as shown and described.

(30) **Foreign Application Priority Data**

**DESCRIPTION**

Jan. 9, 2012 (EM) ..... 00197282900010003

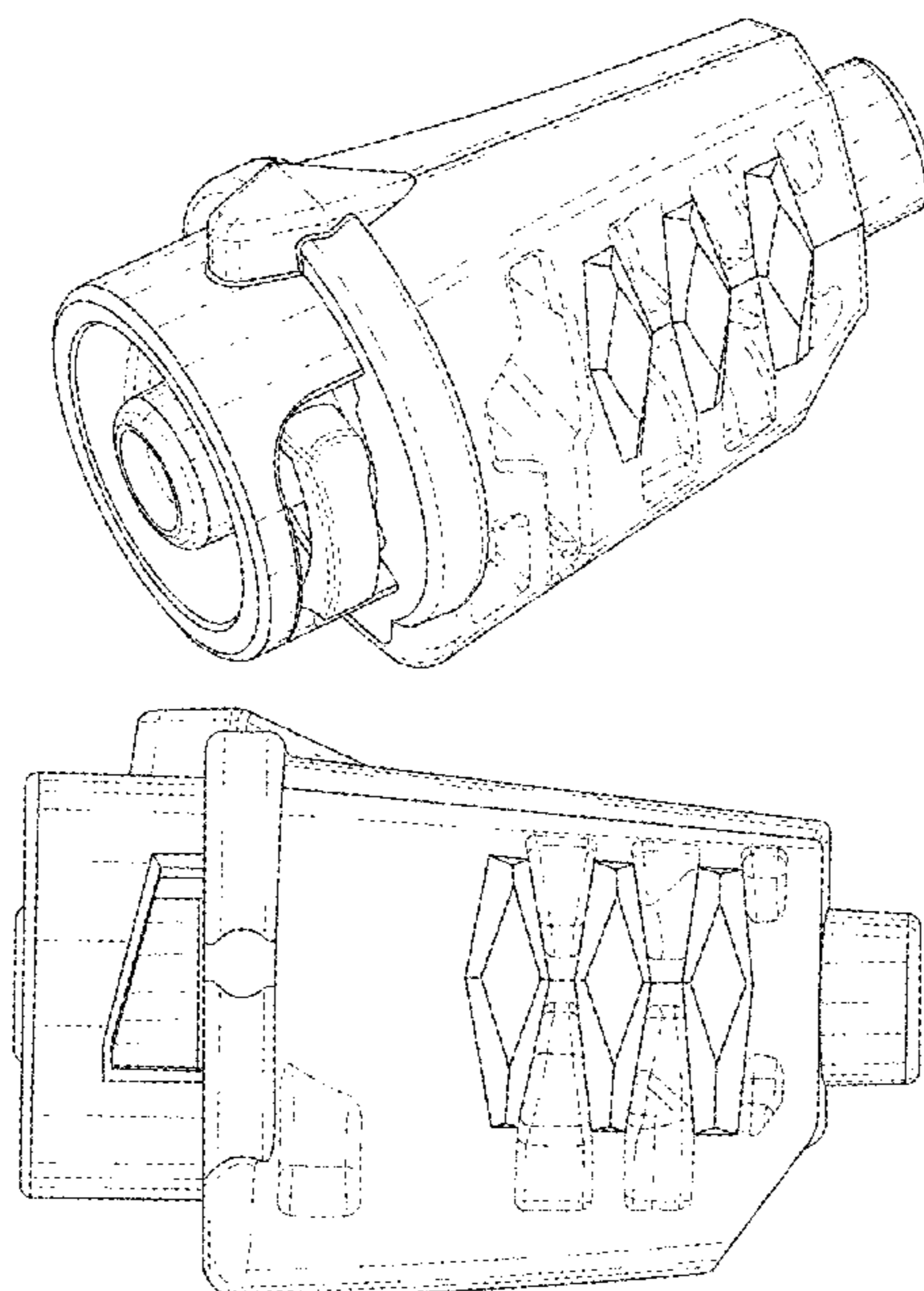
(51) **LOC (10) Cl.** ..... **24-02**

(52) **U.S. Cl.**  
USPC ..... **D24/112**

(58) **Field of Classification Search**  
CPC ..... A61M 39/10; A61M 39/1011; A61M 2039/1077; A61M 2039/1038  
USPC ..... D24/107, 108, 110, 110.6; 604/19, 48, 604/93.1, 246, 533, 537, 538, 905  
See application file for complete search history.

FIG. 1 is a bottom, rear, left-side perspective view of a cannula connector according to the present invention; FIG. 2 is a top plan view of the cannula connector of FIG. 1; FIG. 3 is a bottom view of the cannula connector of FIG. 1; FIG. 4 is a right side view of the cannula connector of FIG. 1; FIG. 5 is a left side view of the cannula connector of FIG. 1; FIG. 6 is a front plan view of the cannula connector of FIGS. 1; and, FIG. 7 is a rear plan view of the cannula connector of FIG. 1. The broken lines in the drawings illustrating portions of the cannula connector that form no part of the claimed design.

**1 Claim, 6 Drawing Sheets**



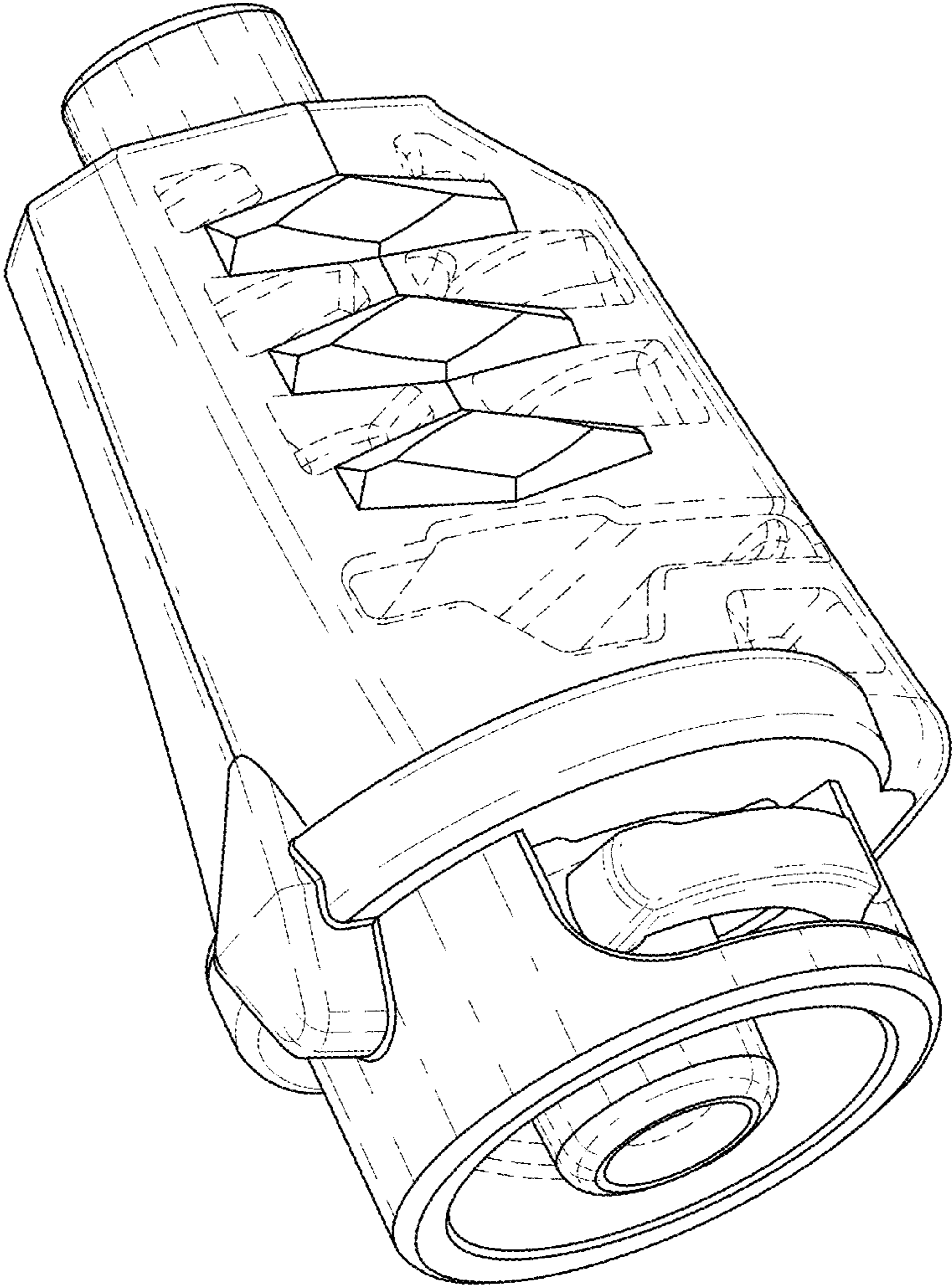


FIG. 1

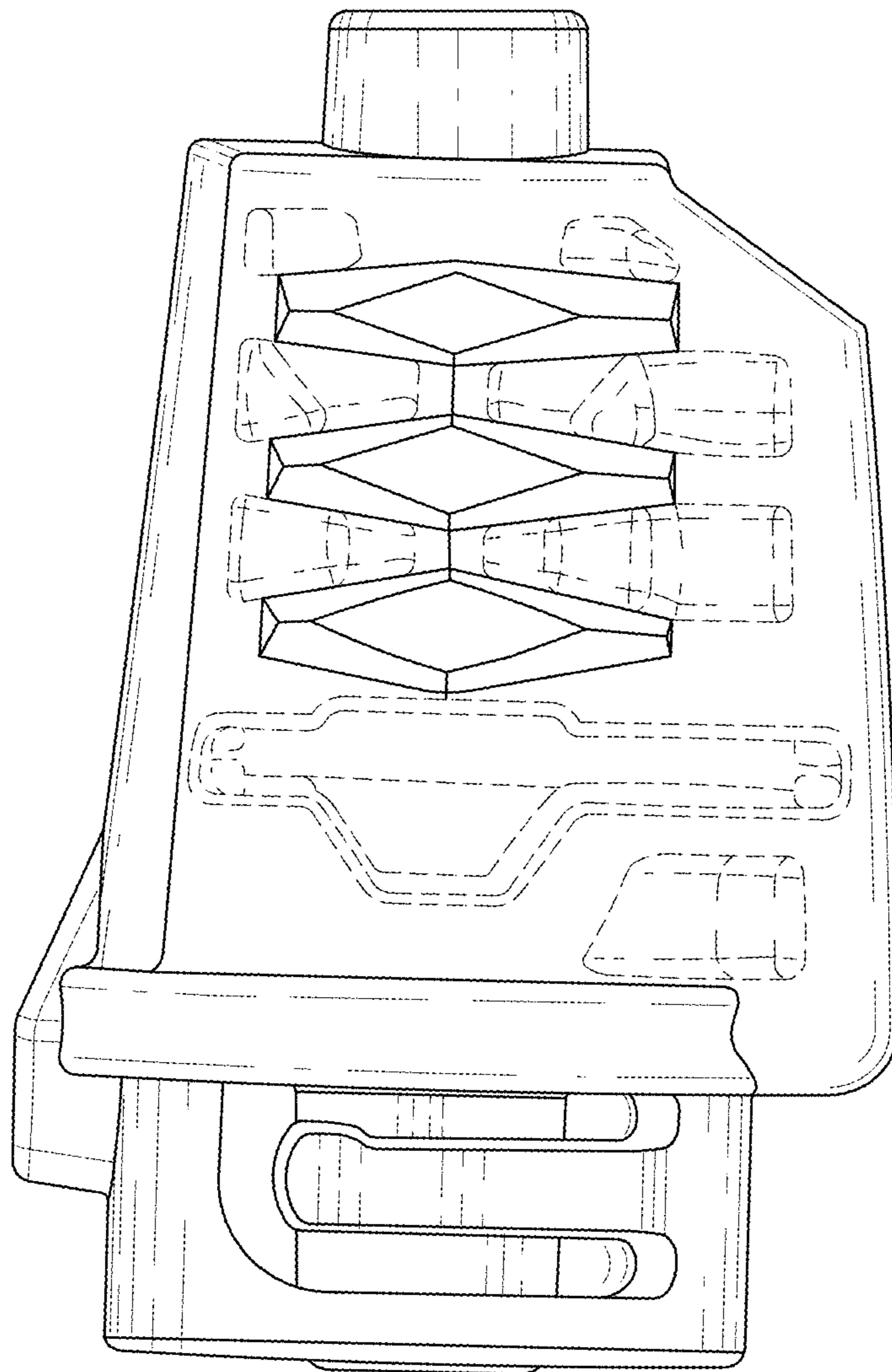


FIG. 2

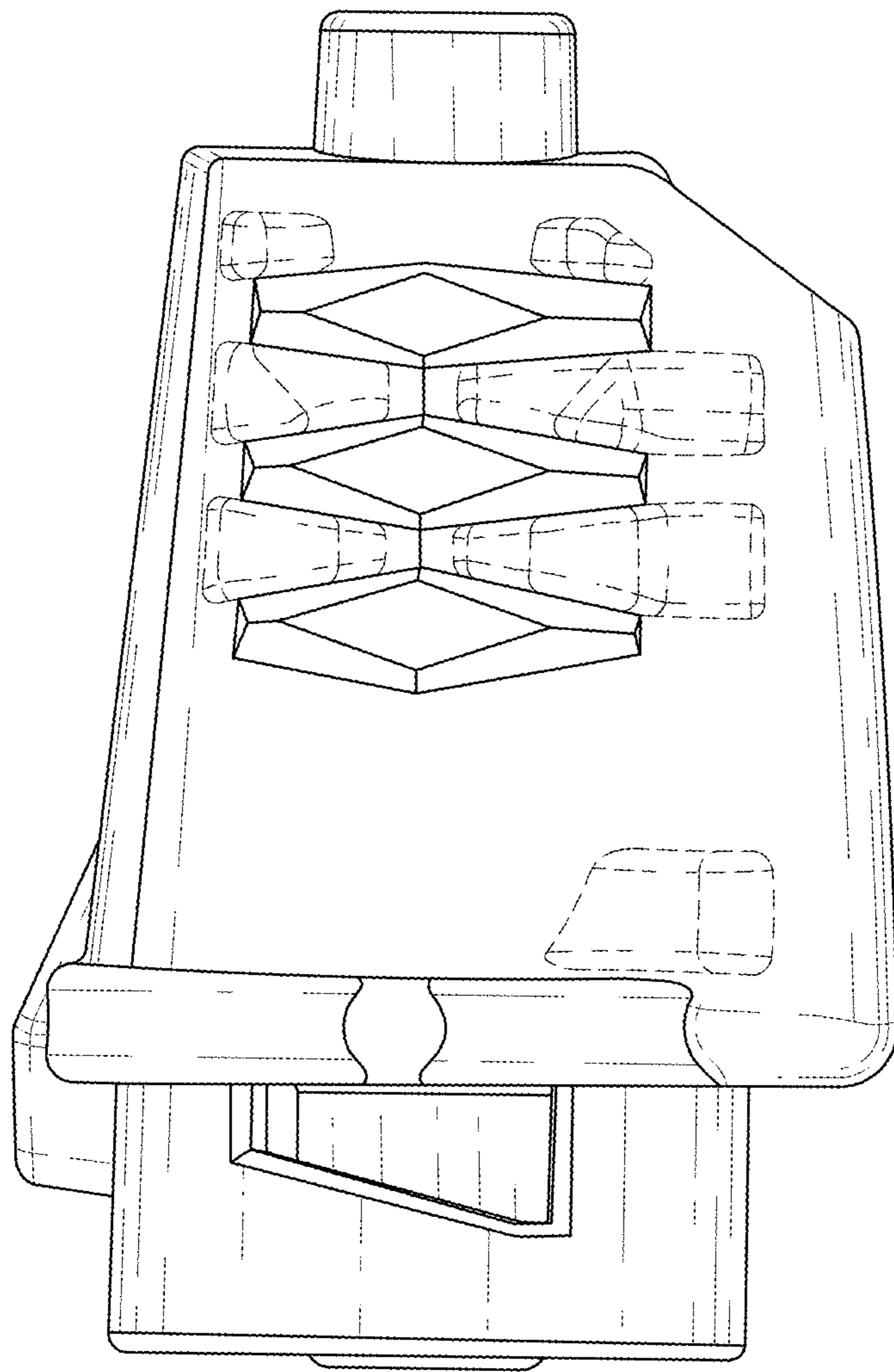


FIG. 3

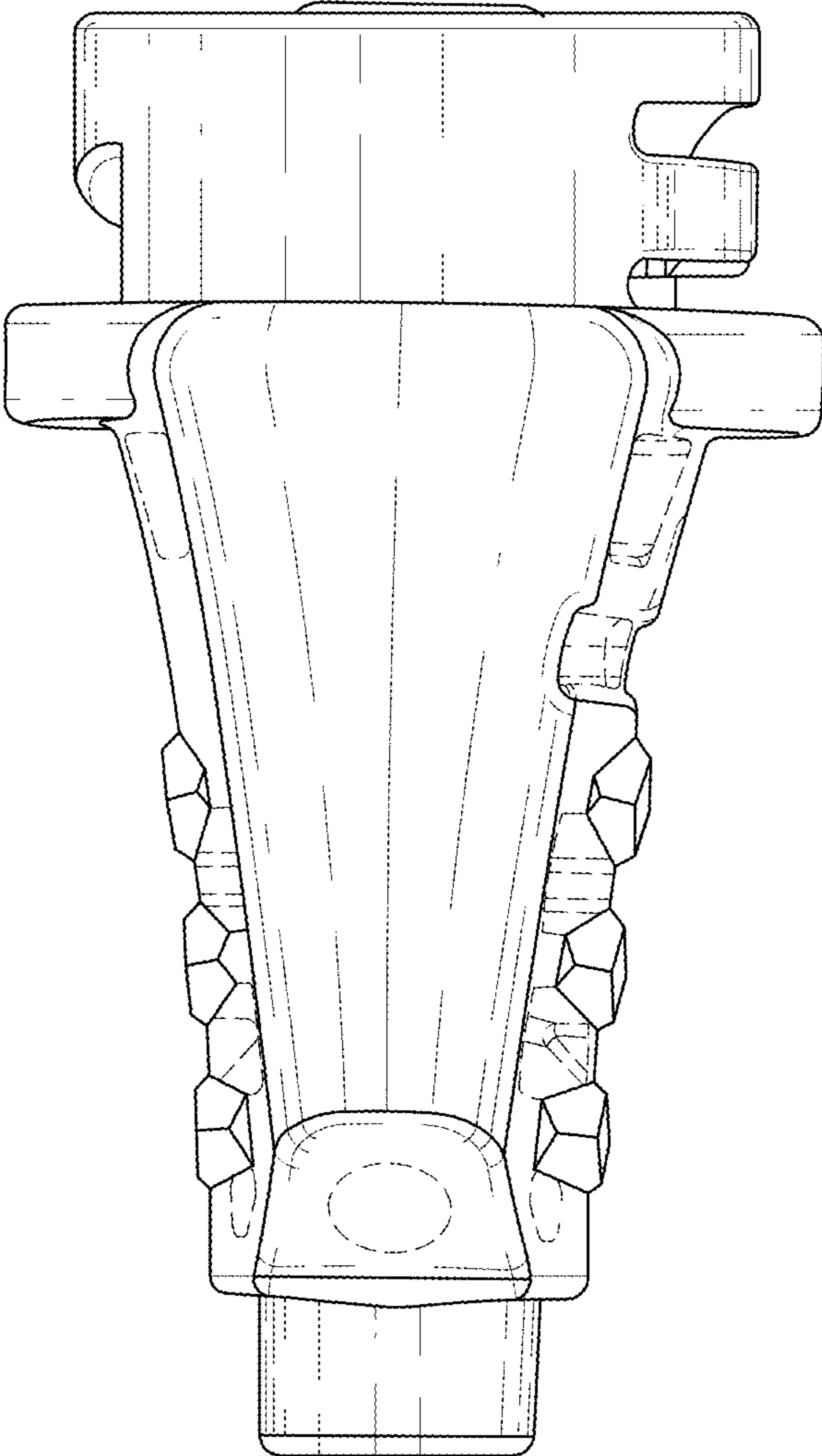


FIG. 4



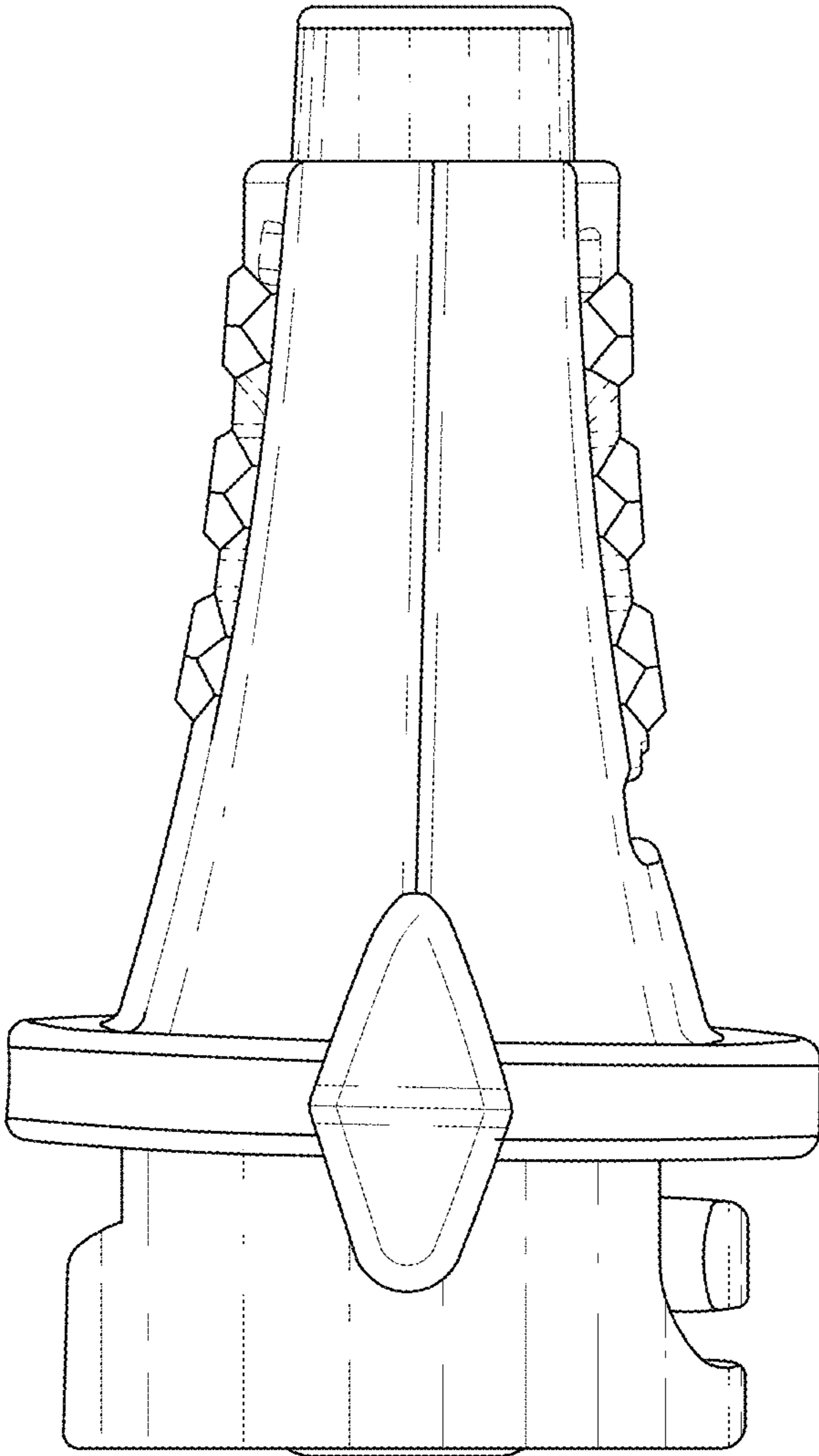


FIG. 5

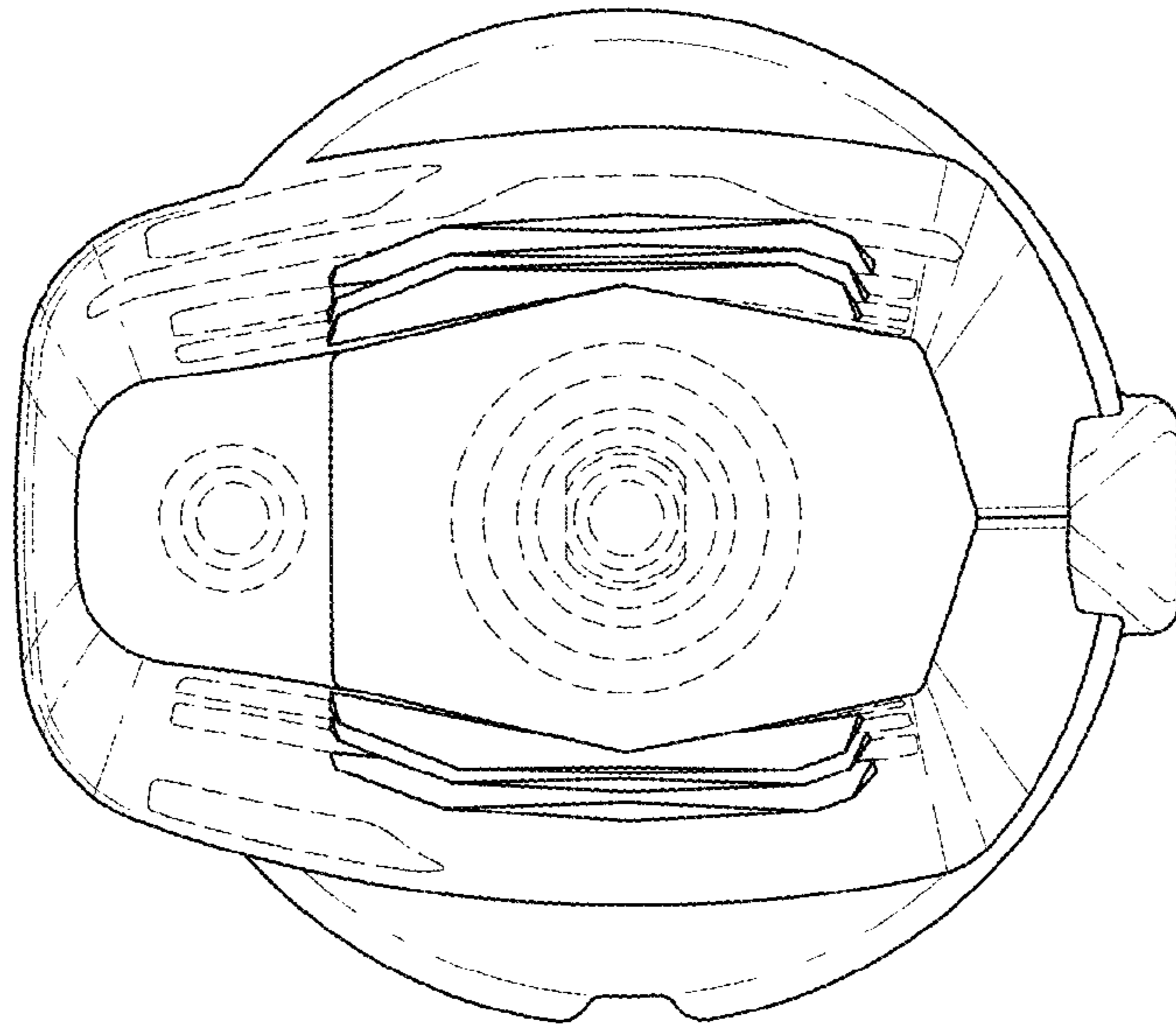


FIG. 6

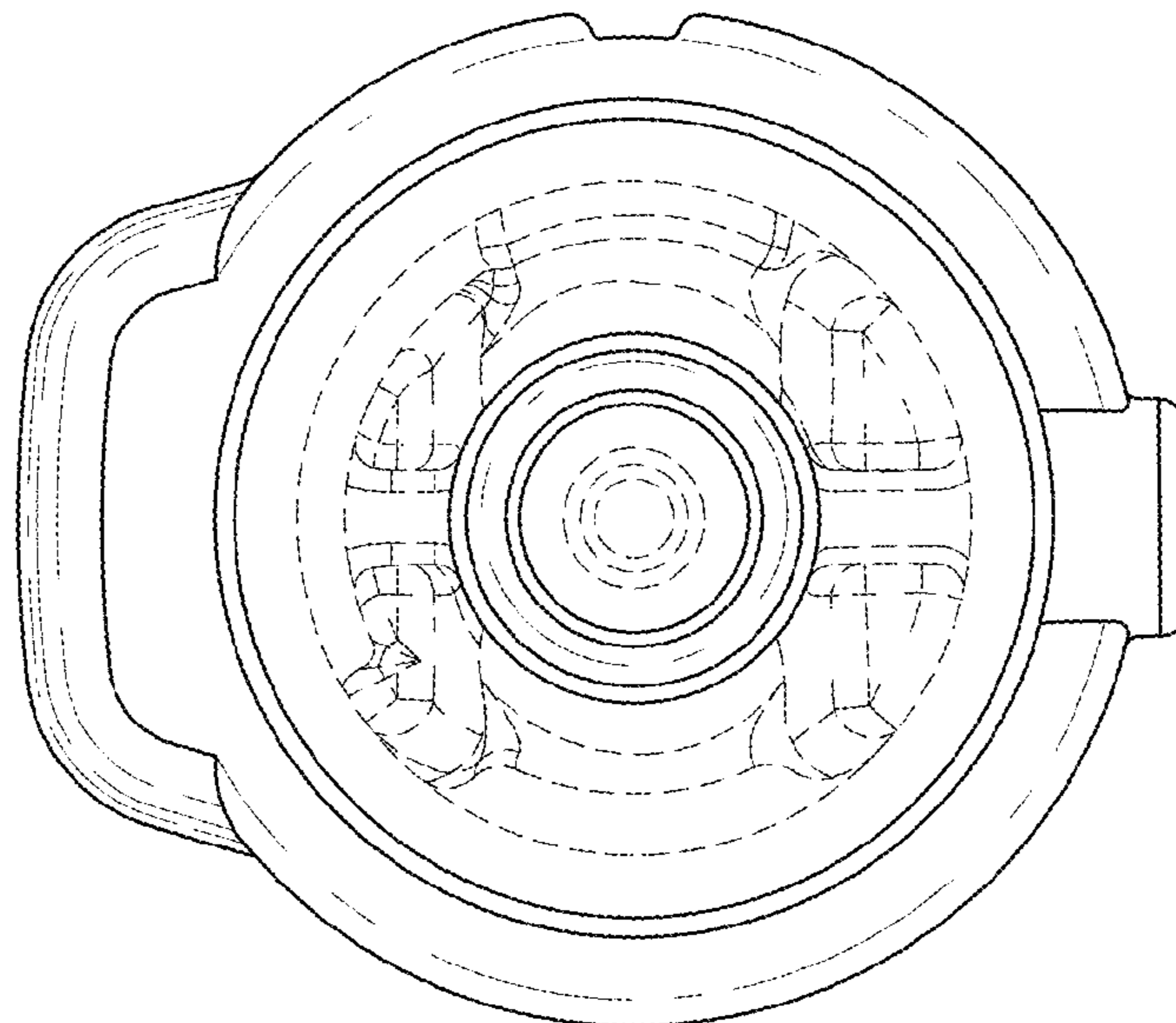


FIG. 7