



US00D722155S

(12) **United States Design Patent**
Wiegel et al.

(10) **Patent No.:** **US D722,155 S**

(45) **Date of Patent:** **** Feb. 3, 2015**

(54) **CANNULA CONNECTOR**

(75) Inventors: **Heinz Wiegel**, Alheim (DE); **Iris Blum**,
Fuldabruock (DE); **Martin Sippel**,
Melsungen (DE); **Helmut Freigang**,
Koerle (DE); **Benjamin Olson**,
Fuldabruock (DE); **Thilo Hoglebe**,
Hamburg (DE); **Fred Held**, Hamburg
(DE)

(73) Assignee: **B. Braun Melsungen AG**, Melsungen
(DE)

(**) Term: **14 Years**

(21) Appl. No.: **29/426,664**

(22) Filed: **Jul. 9, 2012**

(30) **Foreign Application Priority Data**

Jan. 9, 2012 (EM) 00197282900010003

(51) **LOC (10) Cl.** **24-02**

(52) **U.S. Cl.**
USPC **D24/112**

(58) **Field of Classification Search**
CPC A61M 39/10; A61M 39/1011; A61M
2039/1077; A61M 2039/1038
USPC D24/107, 108, 110, 110.6; 604/19, 48,
604/93.1, 246, 533, 537, 538, 905

See application file for complete search history.

(56) **References Cited**

U.S. PATENT DOCUMENTS

D644,731	S	*	9/2011	Fangrow, Jr.	D24/129
2003/0209681	A1	*	11/2003	Leinsing et al.	251/149.1
2005/0165365	A1	*	7/2005	Newton et al.	604/246
2007/0043334	A1	*	2/2007	Guala	604/533
2007/0224865	A1	*	9/2007	Fangrow	439/205
2008/0249508	A1	*	10/2008	Lopez et al.	604/533
2010/0036330	A1	*	2/2010	Plishka et al.	604/256
2011/0137294	A1	*	6/2011	Calimeri et al.	604/533
2013/0150795	A1	*	6/2013	Snow	604/174
2013/0338608	A1	*	12/2013	Moorehead et al.	604/246

* cited by examiner

Primary Examiner — Deanna L Pratt

Assistant Examiner — Ieisha Price

(74) *Attorney, Agent, or Firm* — Ohlandt, Greeley, Ruggiero
& Perle, LLP

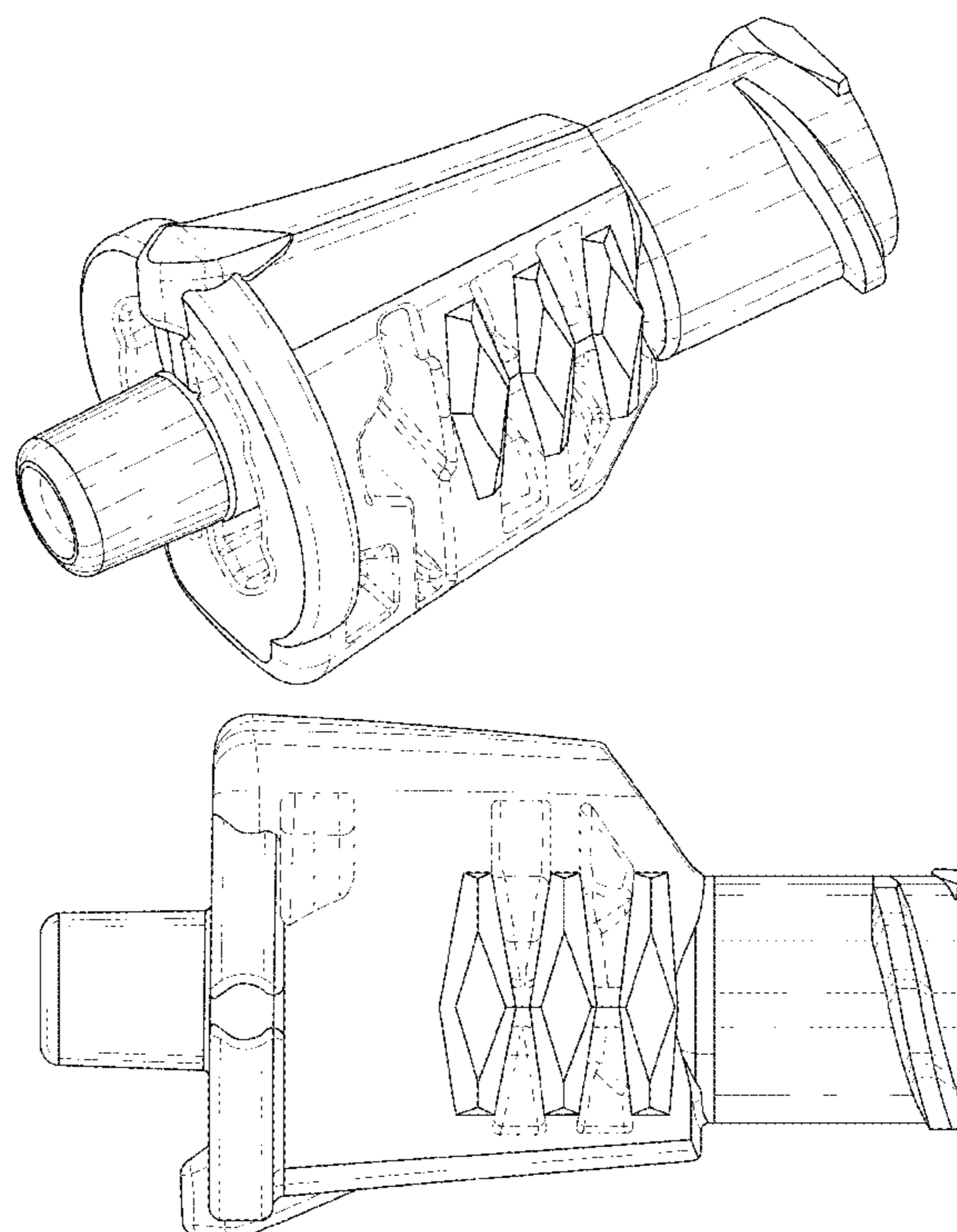
(57) **CLAIM**

The ornamental design for the cannula connector, as shown
and described.

DESCRIPTION

FIG. 1 is a bottom, rear, left-side perspective view of a can-
nula connector according to the present invention;
FIG. 2 is a top plan view of the cannula connector of FIG. 1;
FIG. 3 is a bottom view of the cannula connector of FIG. 1;
FIG. 4 is a right side view of the cannula connector of FIG. 1;
FIG. 5 is a left side view of the cannula connector of FIG. 1;
FIG. 6 is a front plan view of the cannula connector of FIG. 1;
and,
FIG. 7 is a rear plan view of the cannula connector of FIG. 1.
The broken lines in the drawings illustrating portions of the
cannula connector that form no part of the claimed design.

1 Claim, 6 Drawing Sheets



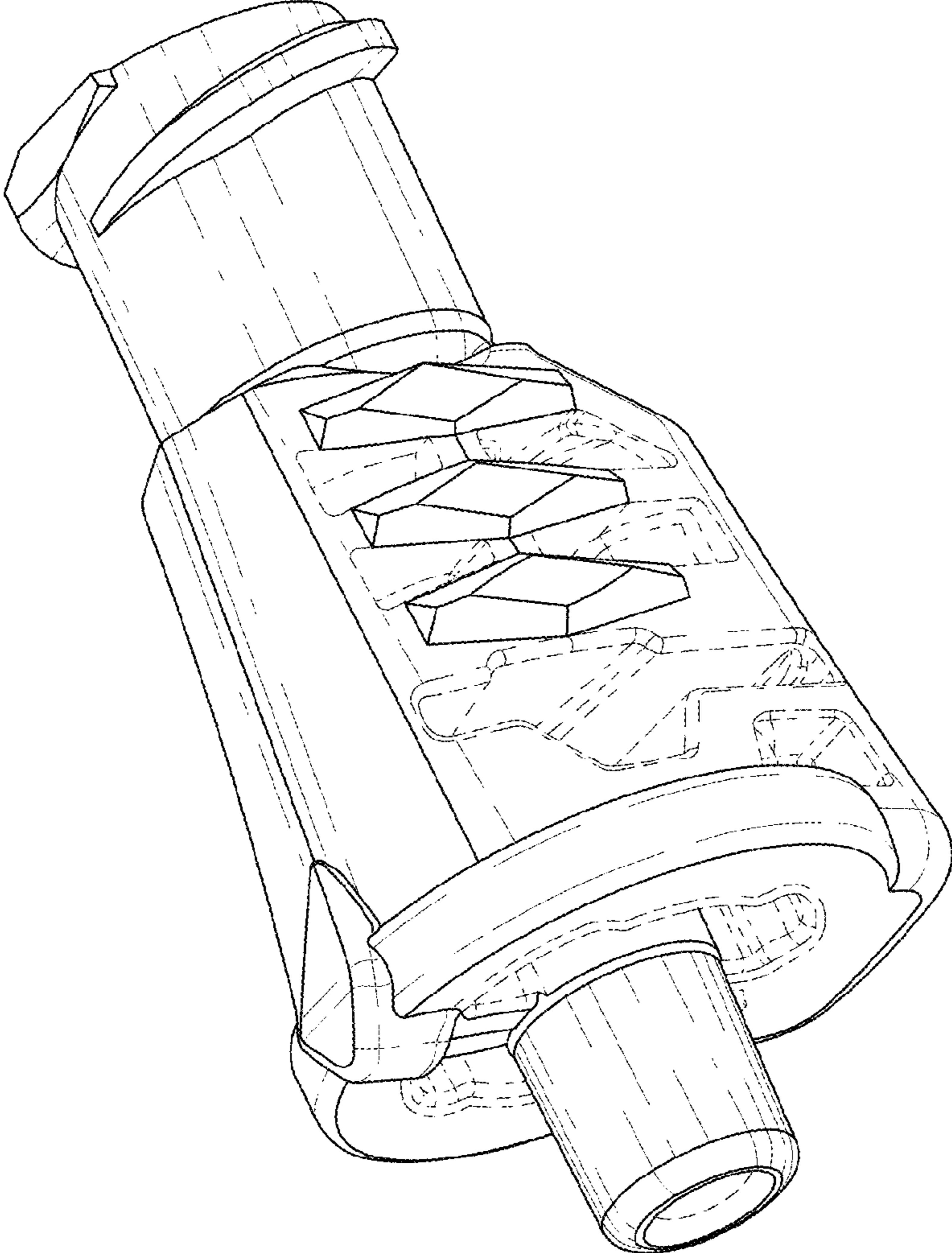


FIG. 1

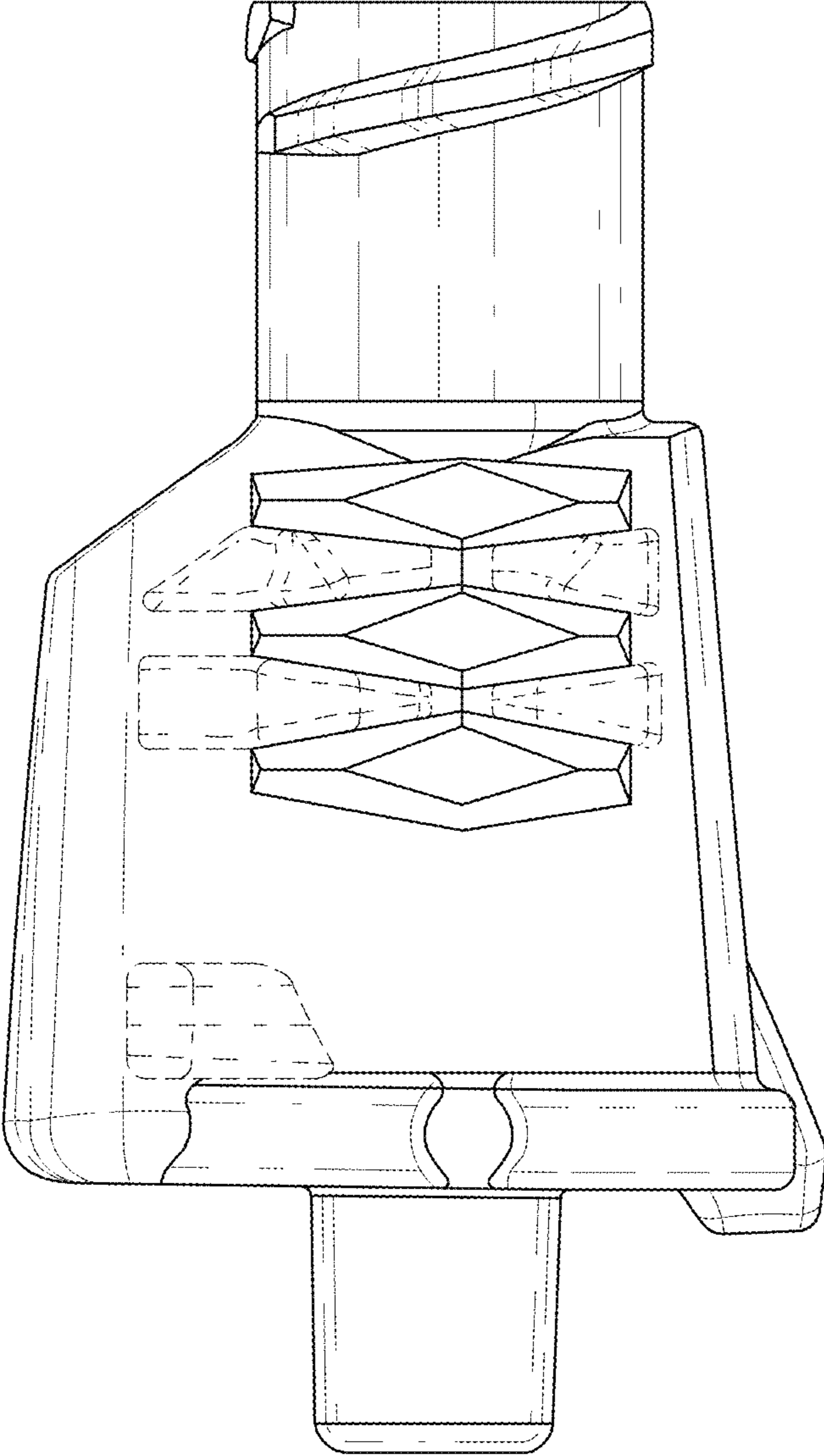


FIG. 2

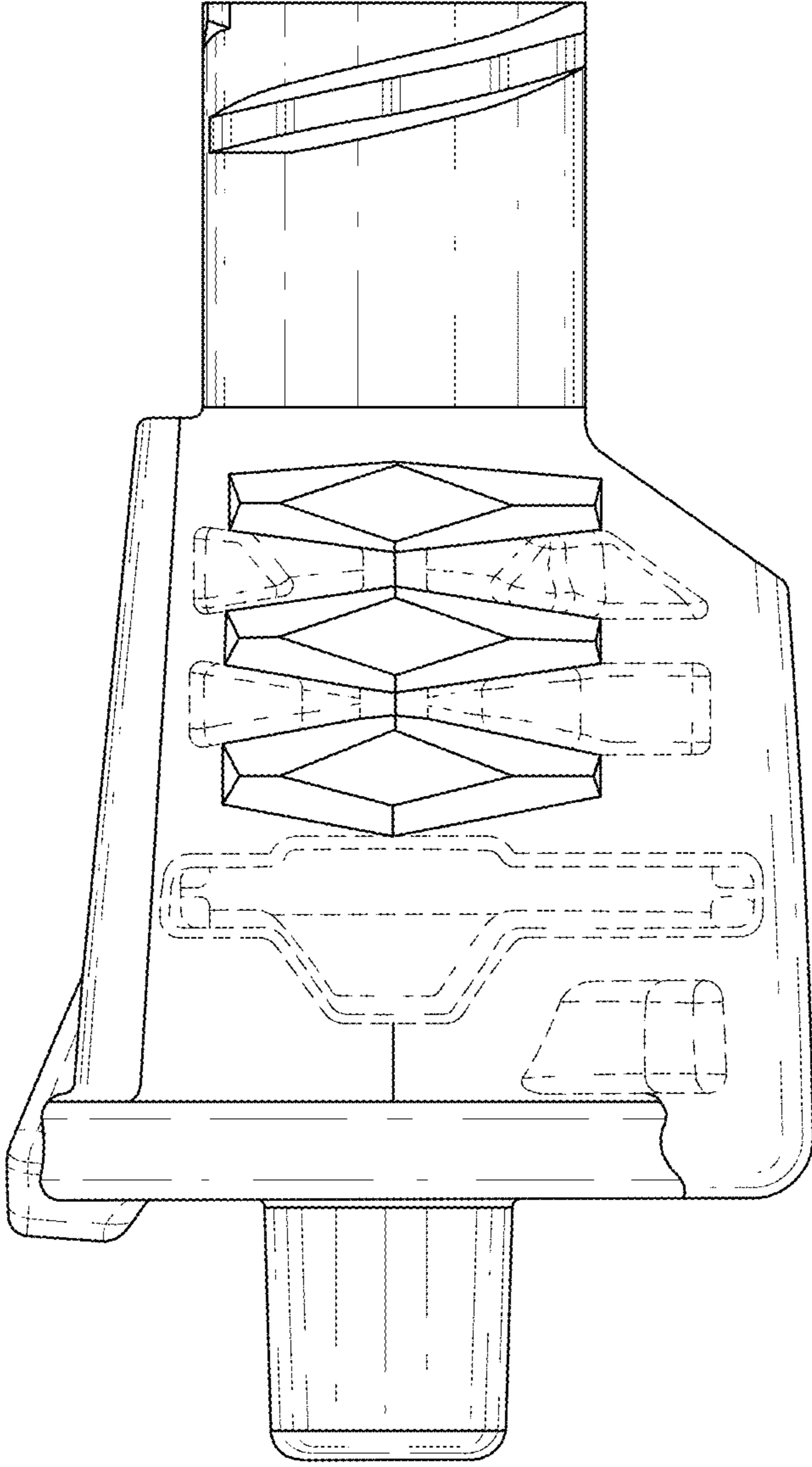


FIG. 3

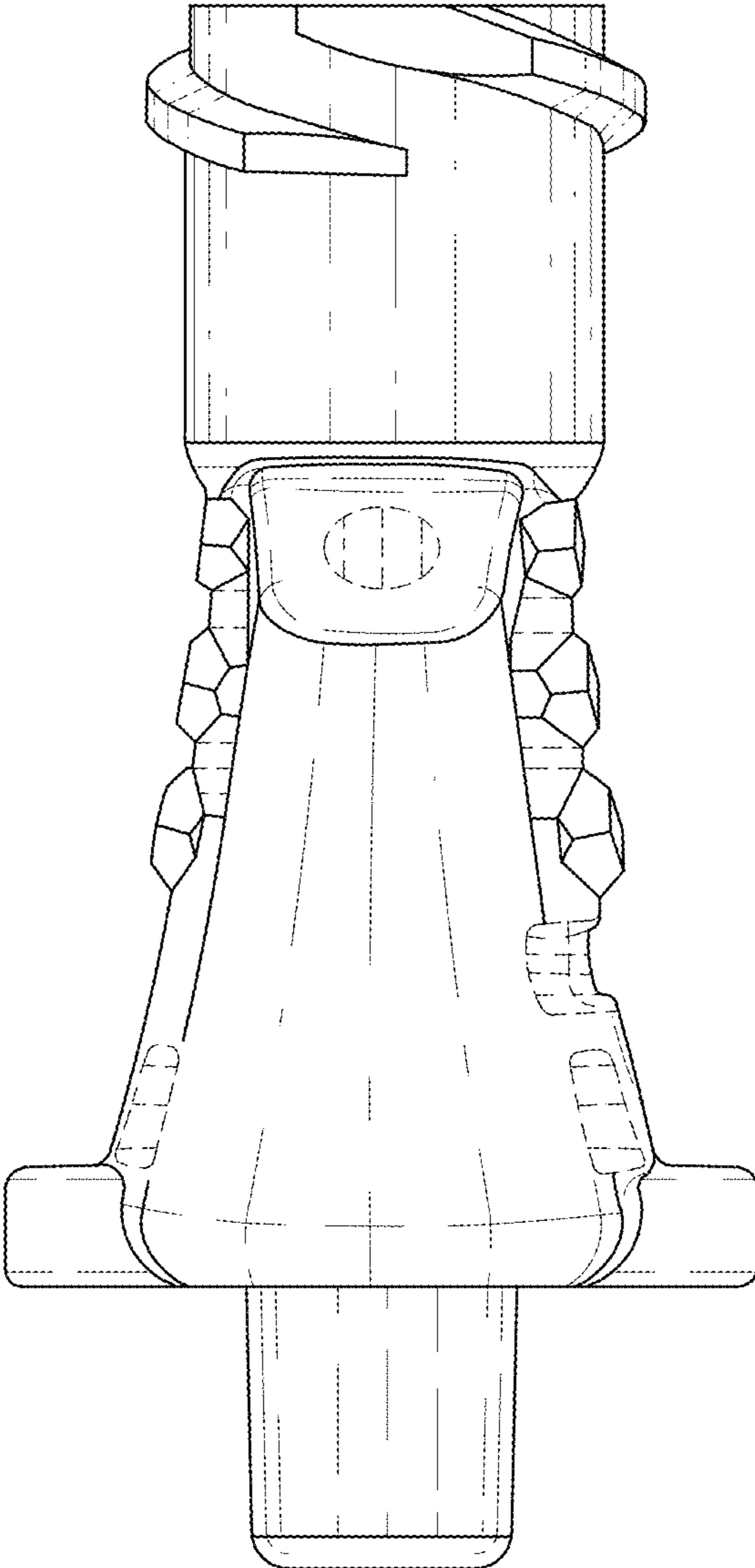


FIG. 4

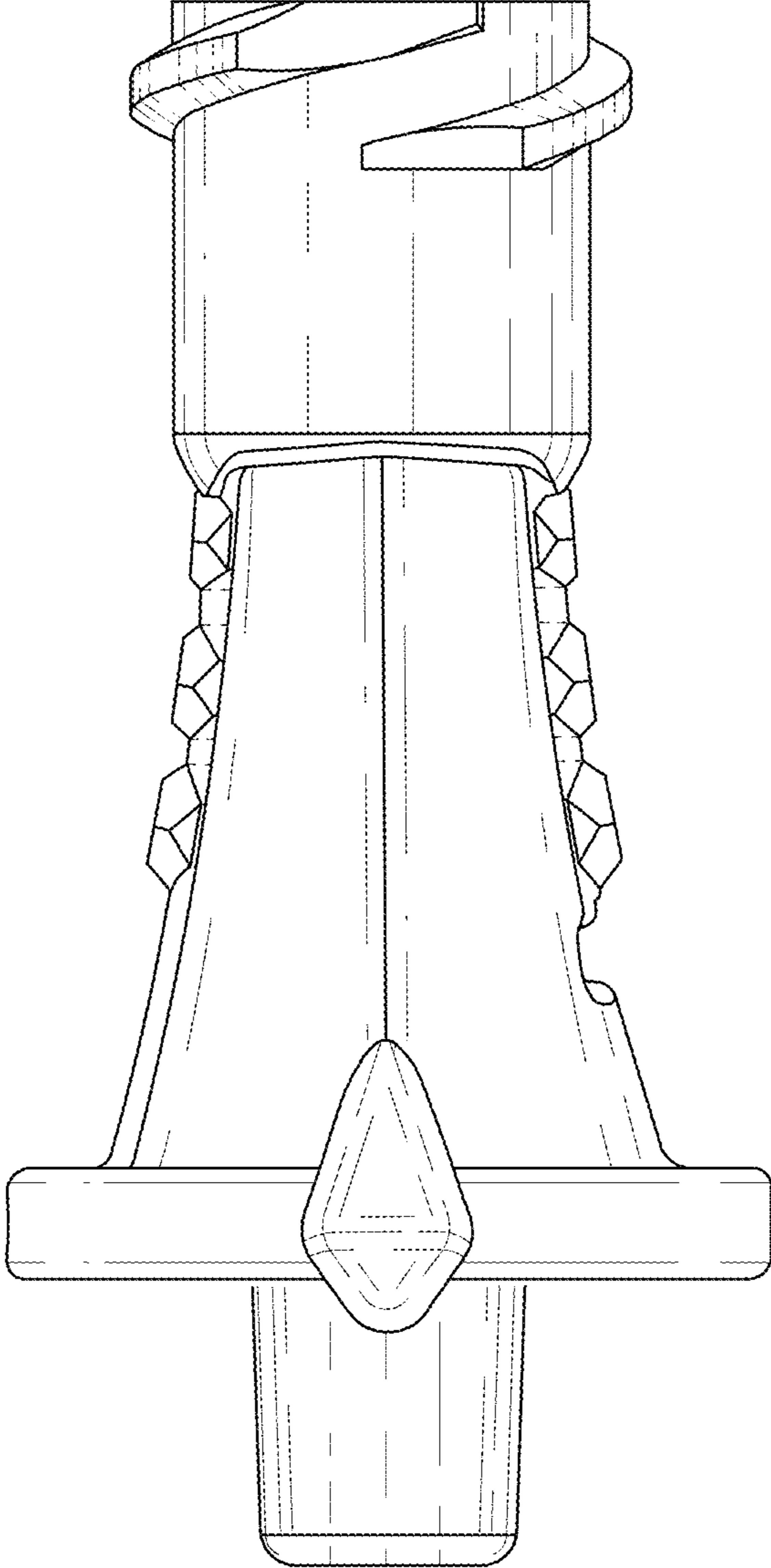


FIG. 5

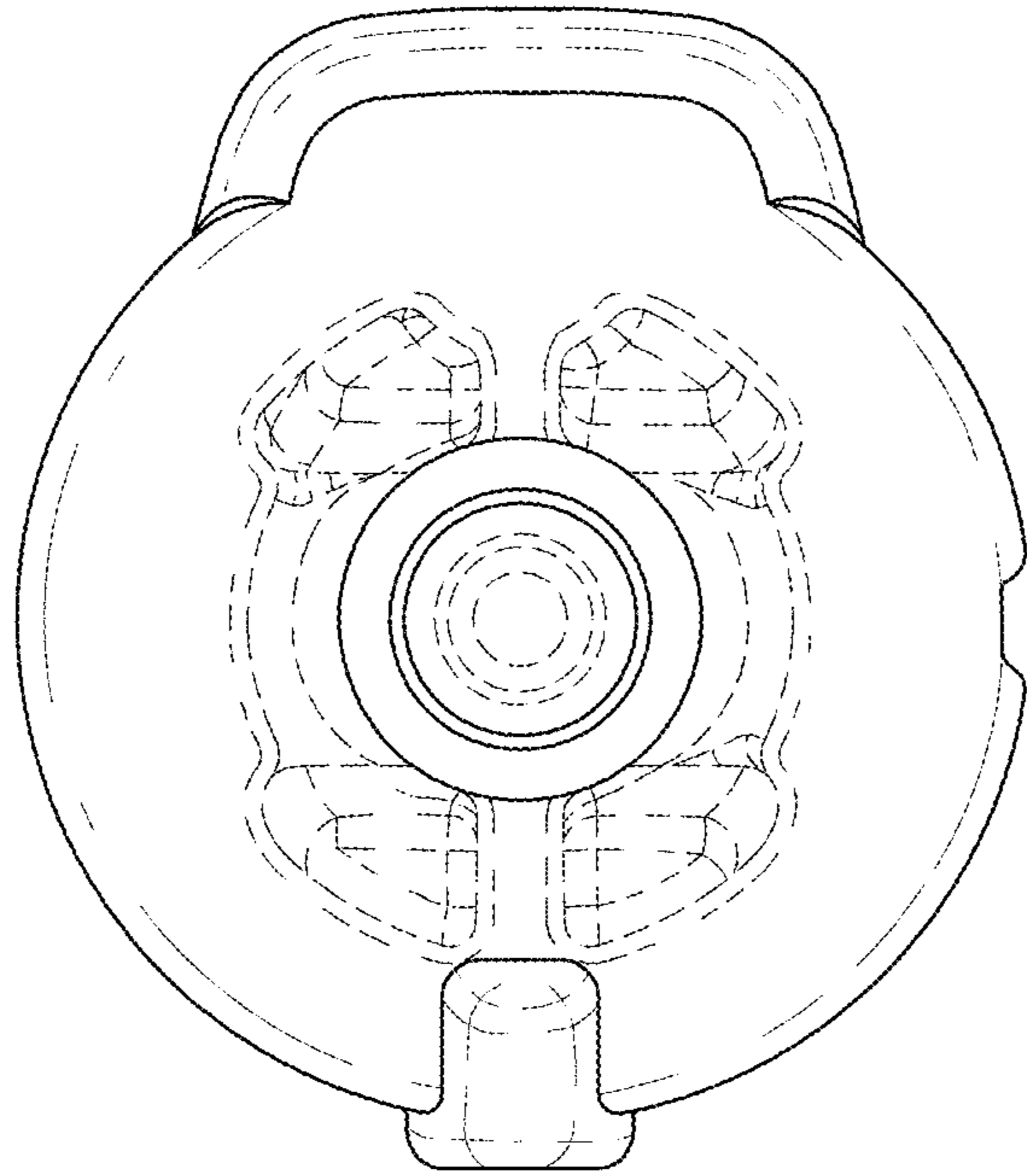


FIG. 7

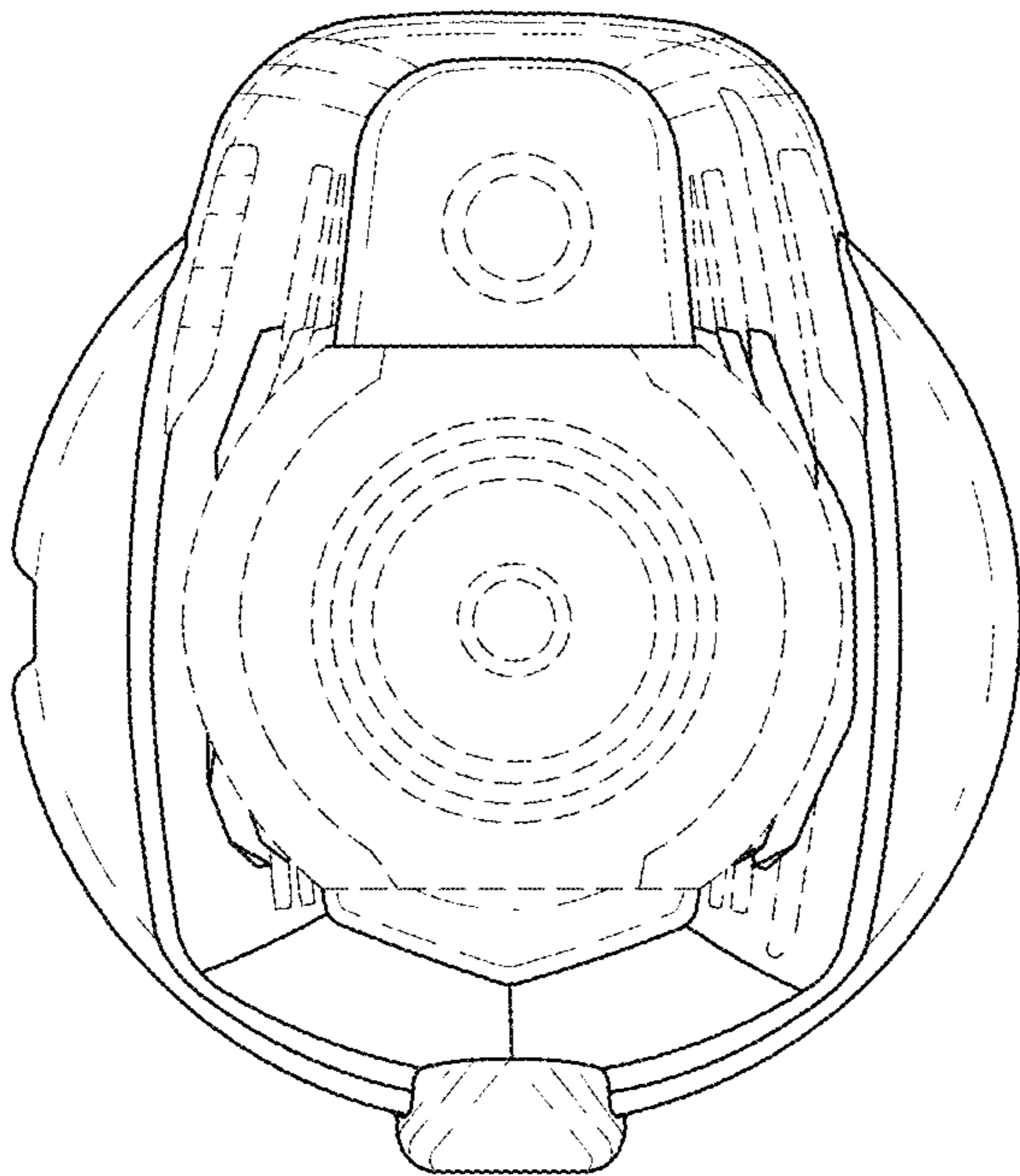


FIG. 6