



US00D722150S

(12) **United States Design Patent**
Heine

(10) **Patent No.:** **US D722,150 S**

(45) **Date of Patent:** **** Feb. 3, 2015**

(54) **PASSOVER HUMIDIFIER**

(71) Applicant: **Gruendler GmbH**, Freudenstadt (DE)

(72) Inventor: **Daniel Heine**, Pfalzgrafenweiler (DE)

(73) Assignee: **ResMed Humidification Technologies GmbH**, Freudenstadt (DE)

(**) Term: **14 Years**

(21) Appl. No.: **29/444,267**

(22) Filed: **Jan. 29, 2013**

(30) **Foreign Application Priority Data**

Oct. 11, 2012 (EP) 2117036

(51) **LOC (10) Cl.** **23-02**

(52) **U.S. Cl.**
USPC **D23/356**

(58) **Field of Classification Search**

USPC D23/355-366, 352, 369, 332, 333, 335,
D23/336, 342, 351; 422/120, 122; 55/356,
55/473, 504; 96/97; D14/188, 170, 172;
261/DIG. 17, DIG. 65, DIG. 88, DIG. 31;
D18/34.6

See application file for complete search history.

(56) **References Cited**

U.S. PATENT DOCUMENTS

D305,562 S * 1/1990 Martinez D23/356
D350,190 S * 8/1994 Clawson et al. D23/358

D430,277 S * 8/2000 Schmulling D23/333
D497,664 S * 10/2004 Puri D23/364
D529,159 S * 9/2006 Howansky et al. D23/360
D553,231 S * 10/2007 Li D23/366
D569,958 S * 5/2008 Snow et al. D23/356
D613,367 S * 4/2010 Burt et al. D23/208
D669,568 S * 10/2012 Mandell et al. D23/366
D675,305 S * 1/2013 Bush et al. D23/366
D685,074 S * 6/2013 Caroen et al. D23/366
D685,896 S * 7/2013 Niedermann et al. D23/356
D686,718 S * 7/2013 Gordon et al. D23/366

* cited by examiner

Primary Examiner — David Muller

(74) *Attorney, Agent, or Firm* — Nixon & Vanderhye P.C.

(57) **CLAIM**

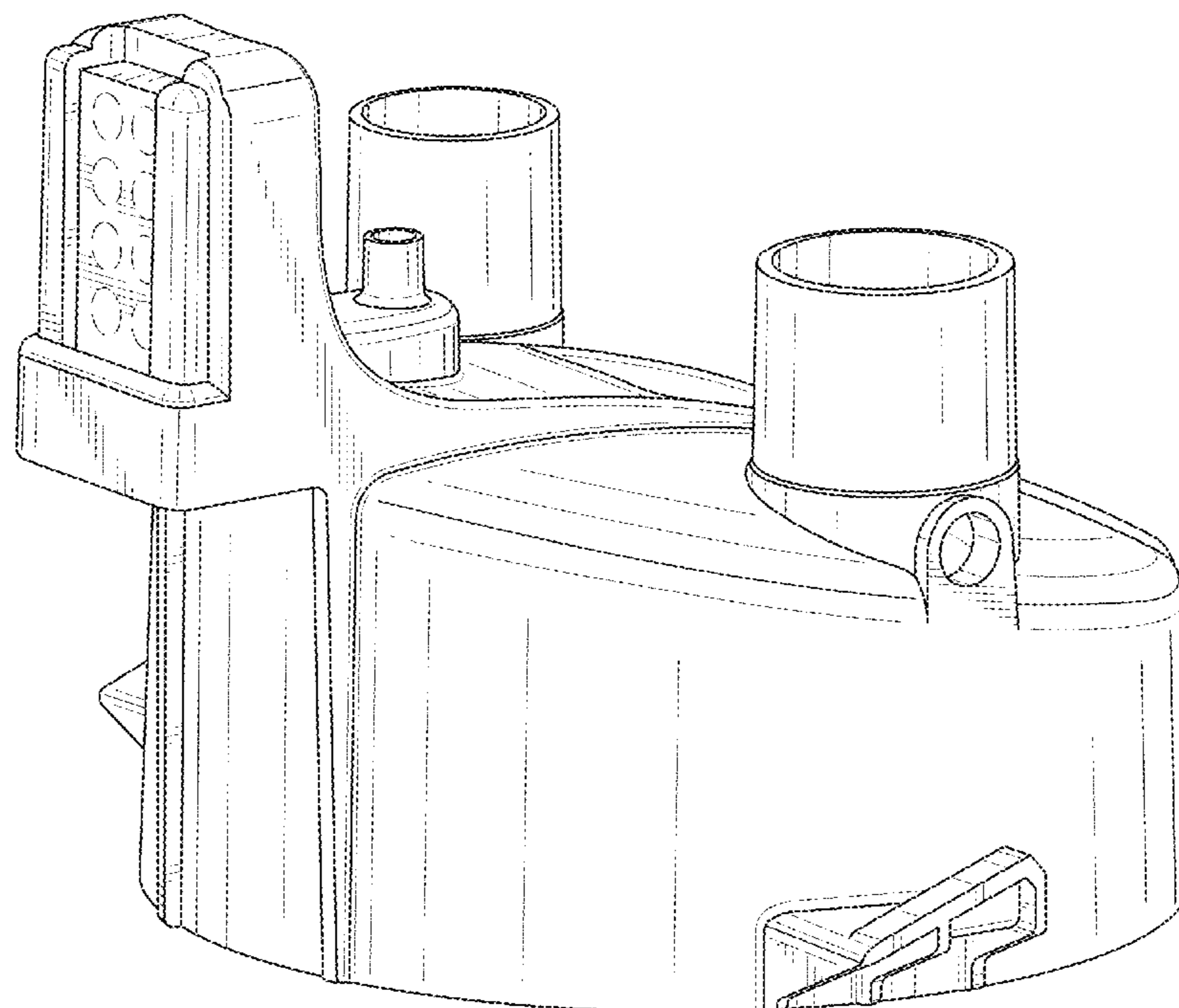
The ornamental design for a passover humidifier, as shown and described.

DESCRIPTION

FIG. 1 is a rear perspective view of a passover humidifier showing my new ornamental design;
FIG. 2 is a front perspective view thereof;
FIG. 3 is a front view thereof;
FIG. 4 is a rear view thereof;
FIG. 5 is a top view thereof;
FIG. 6 is a bottom view thereof;
FIG. 7 is a right side view thereof; and,
FIG. 8 is a left side view thereof.

The broken lines represent environment or structure and do not form a portion of the claimed design.

1 Claim, 5 Drawing Sheets



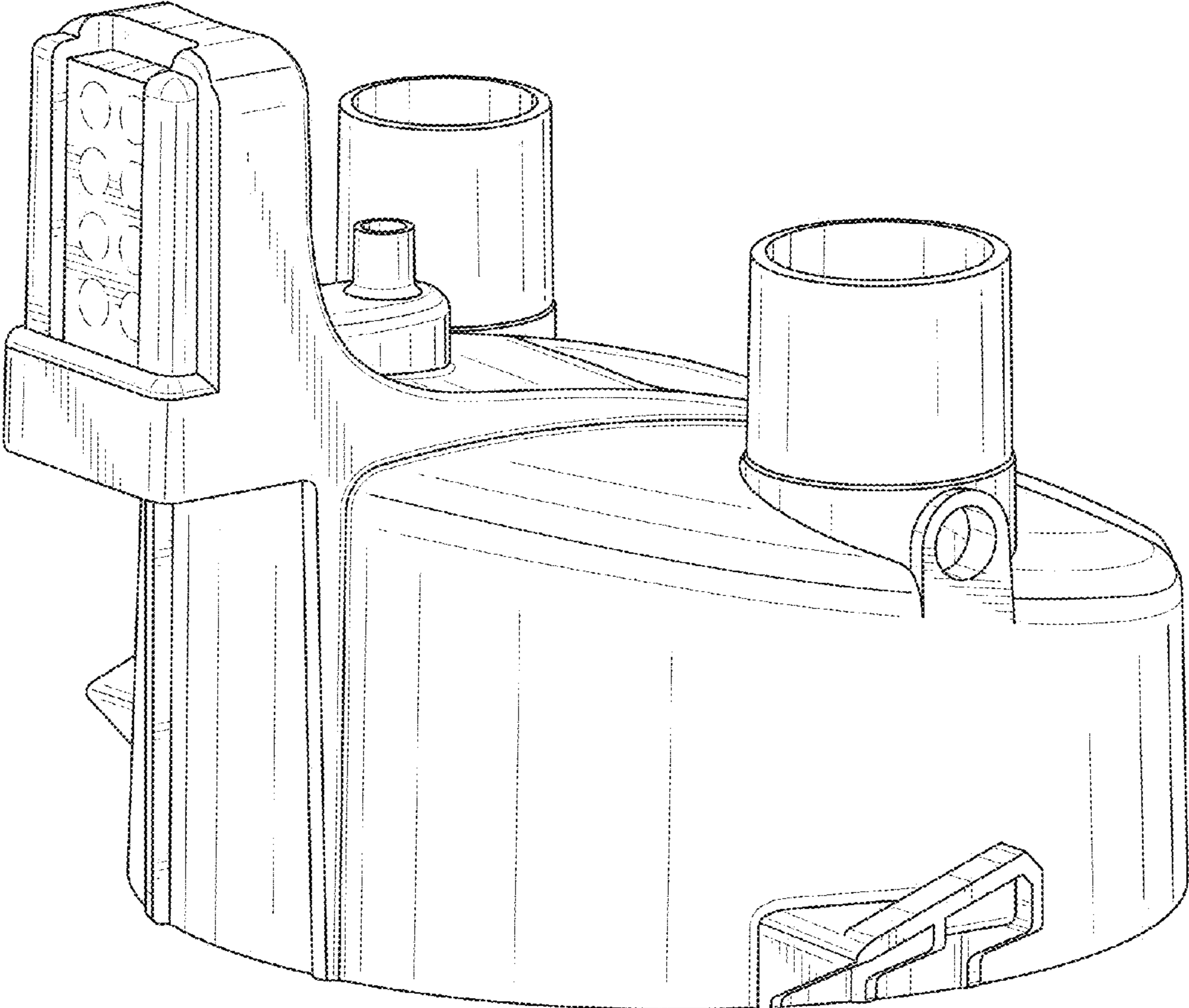


FIG. 1

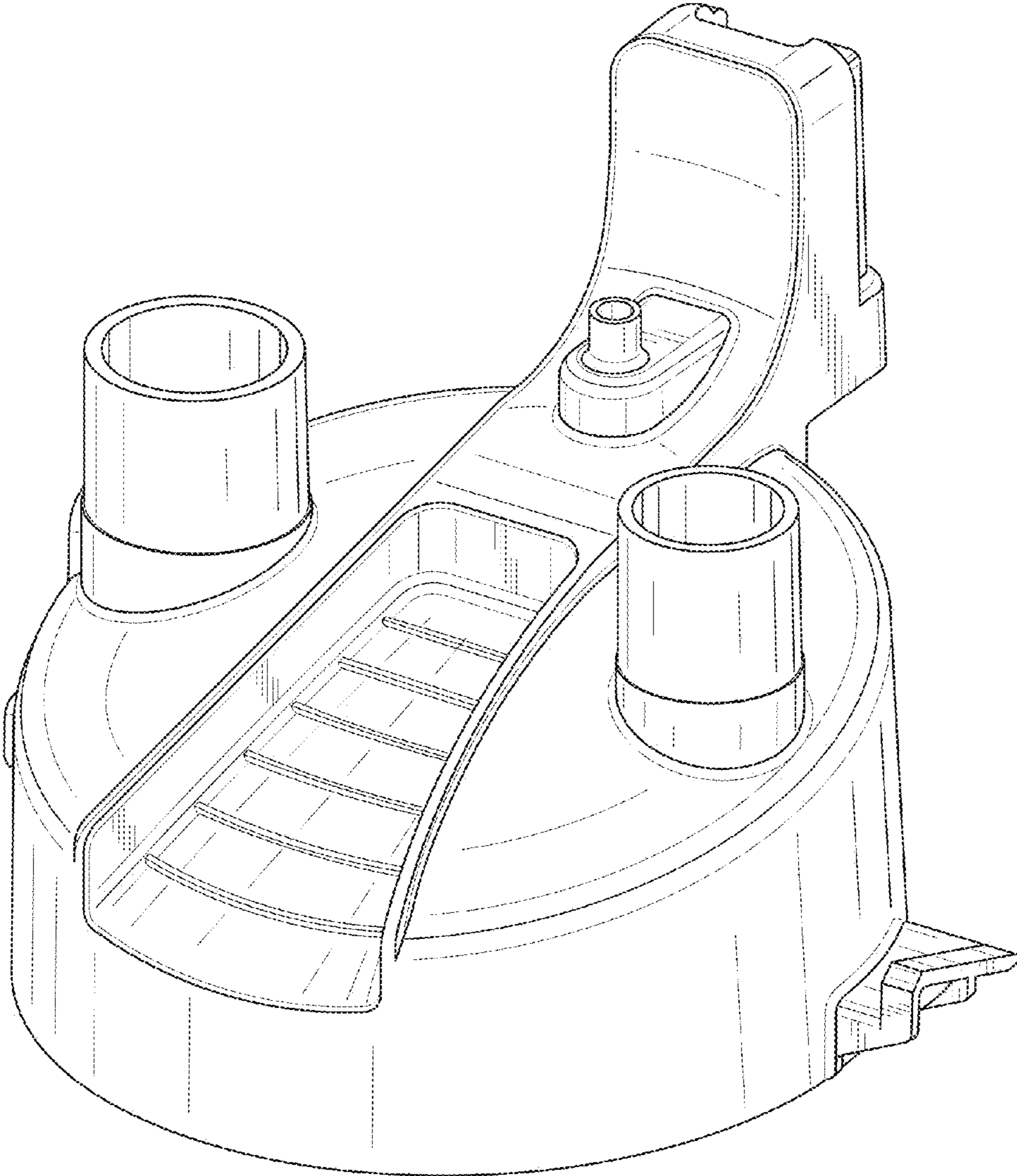


FIG. 2

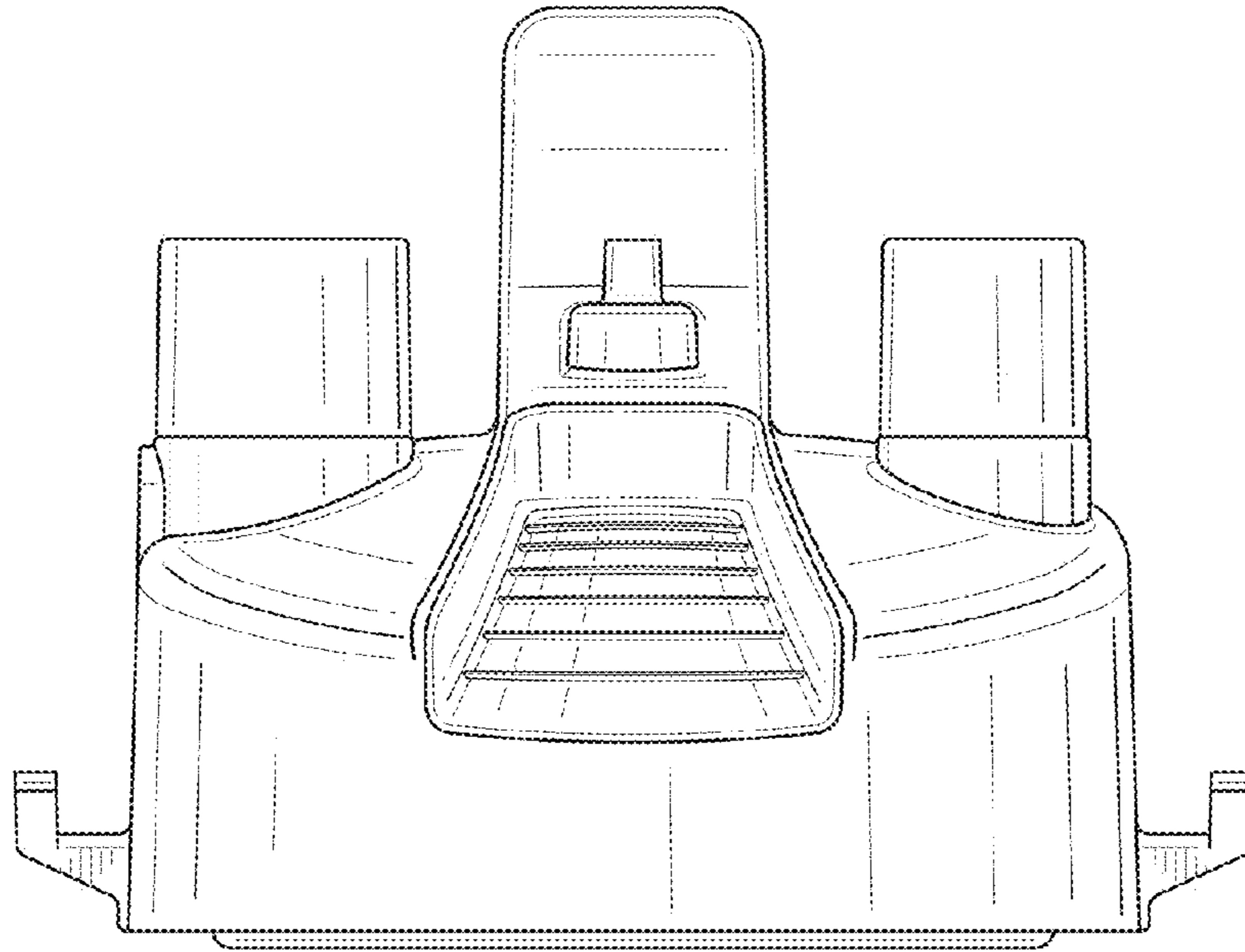


FIG. 3

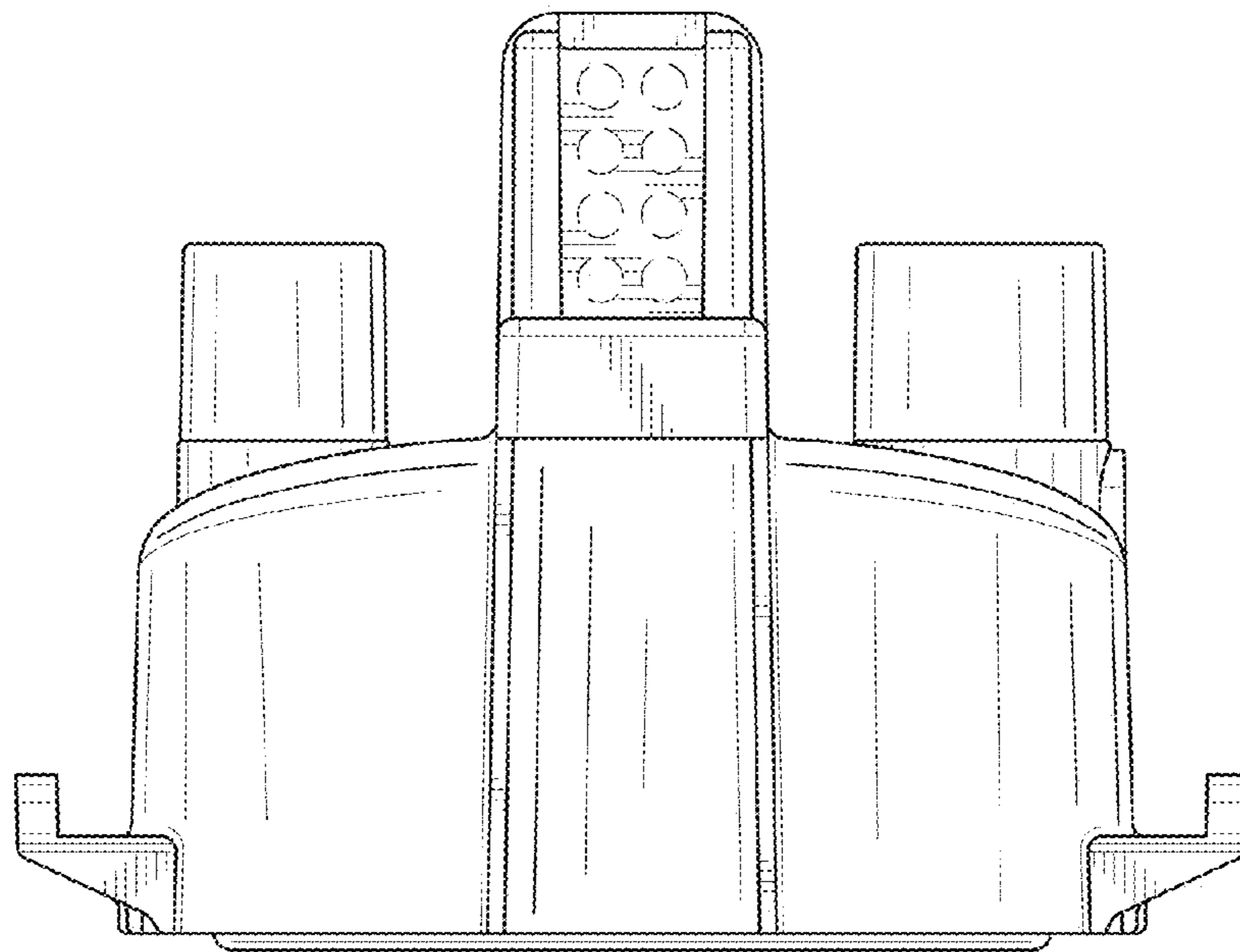


FIG. 4

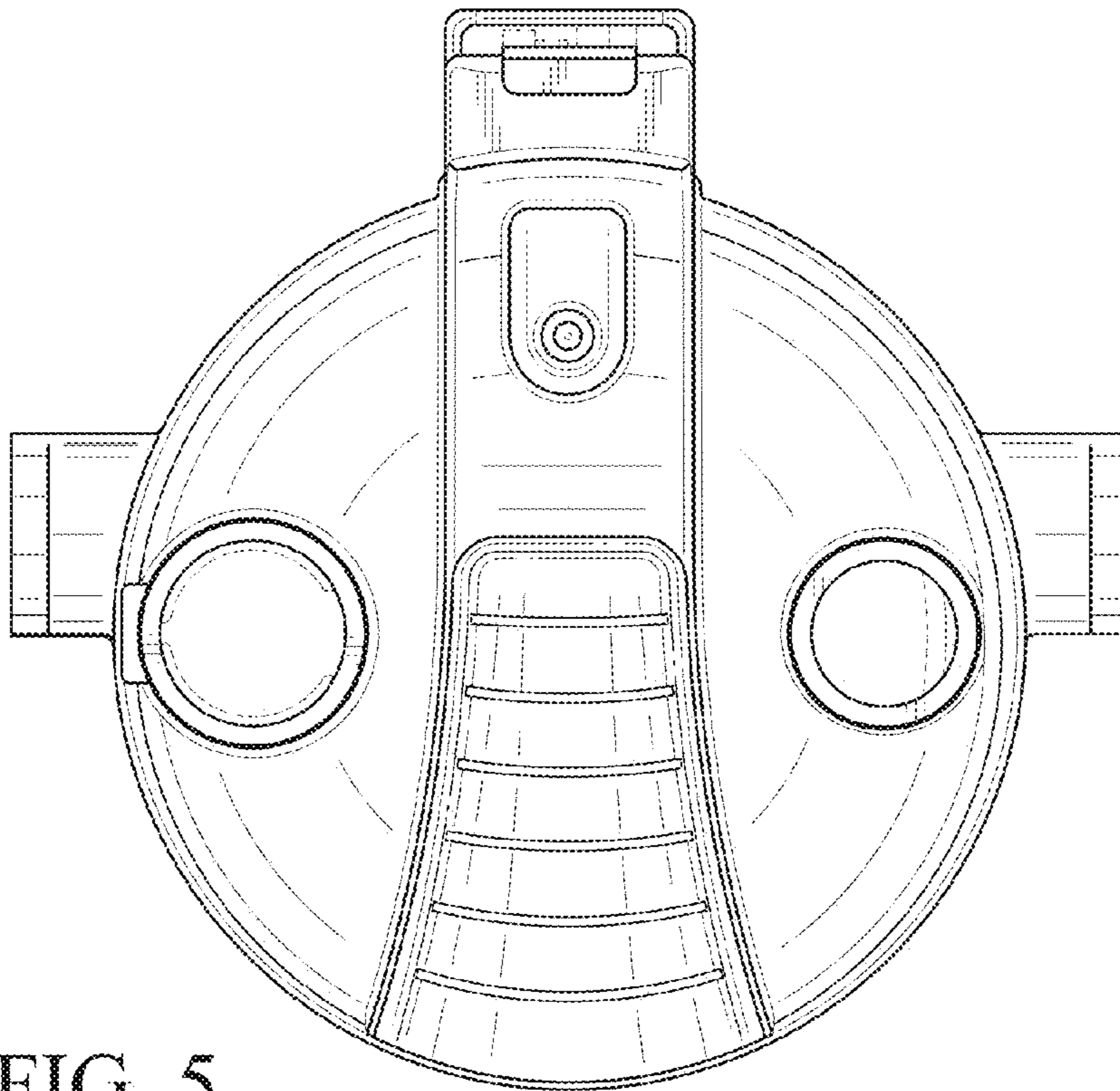


FIG. 5

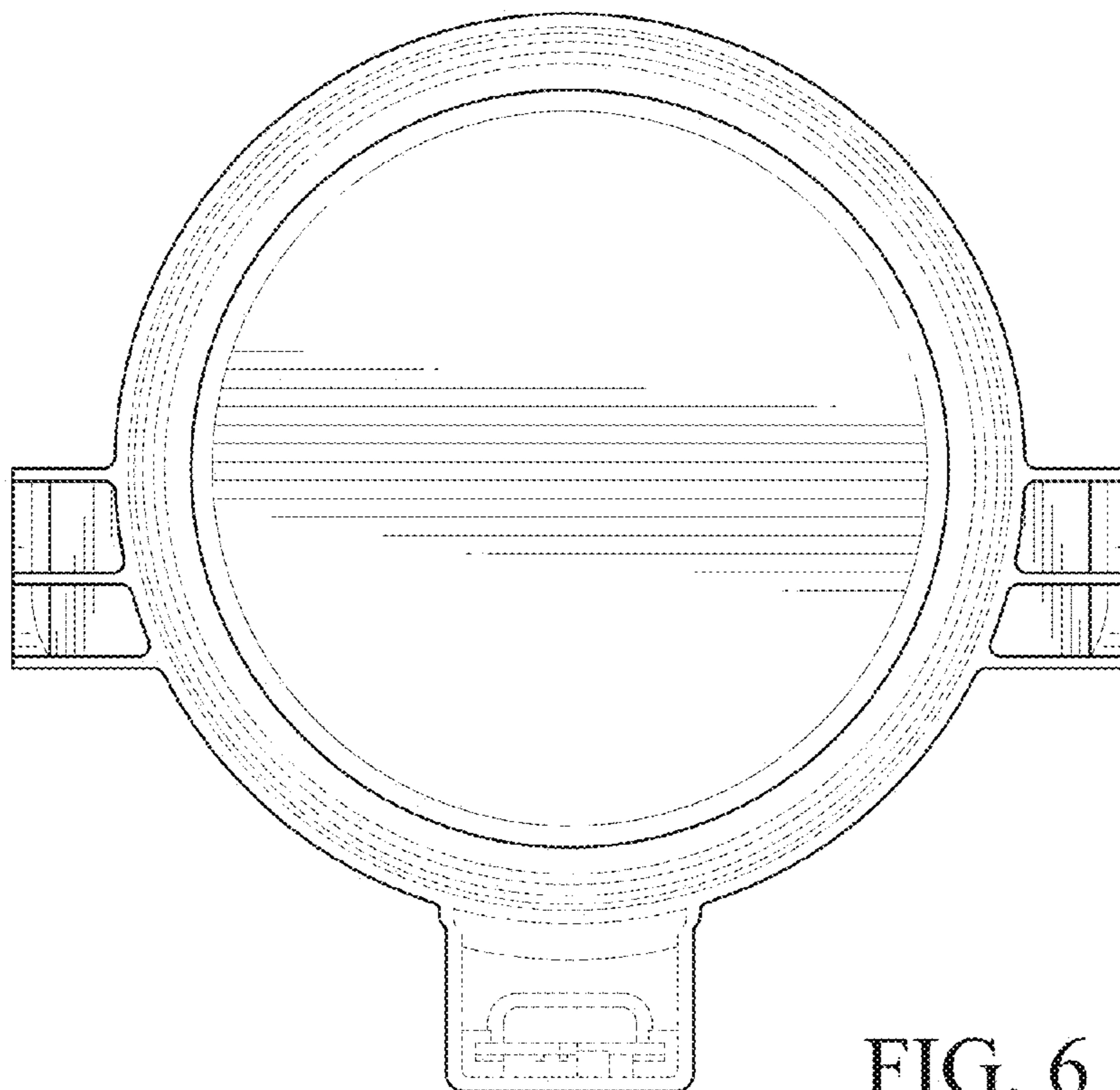


FIG. 6

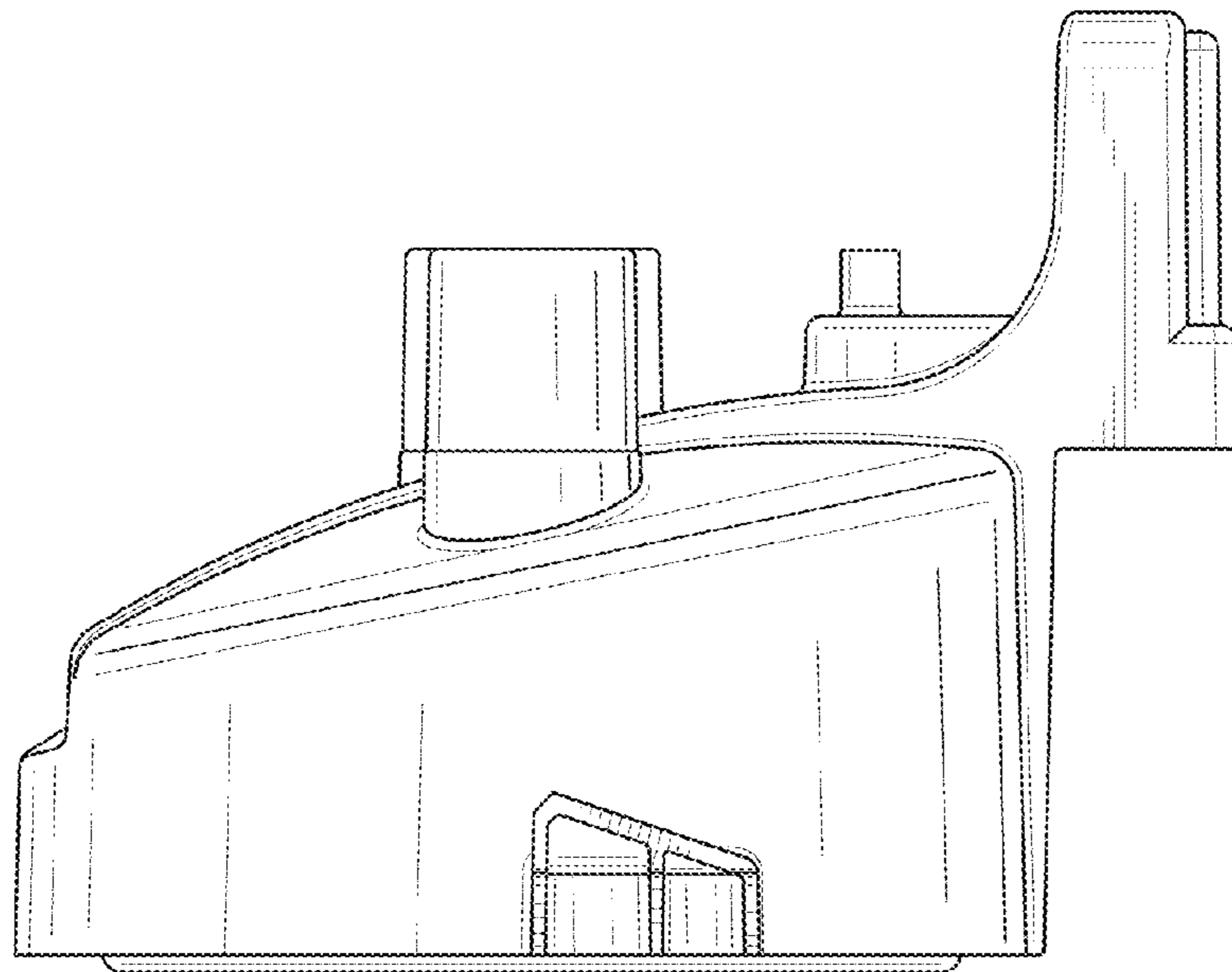


FIG. 7

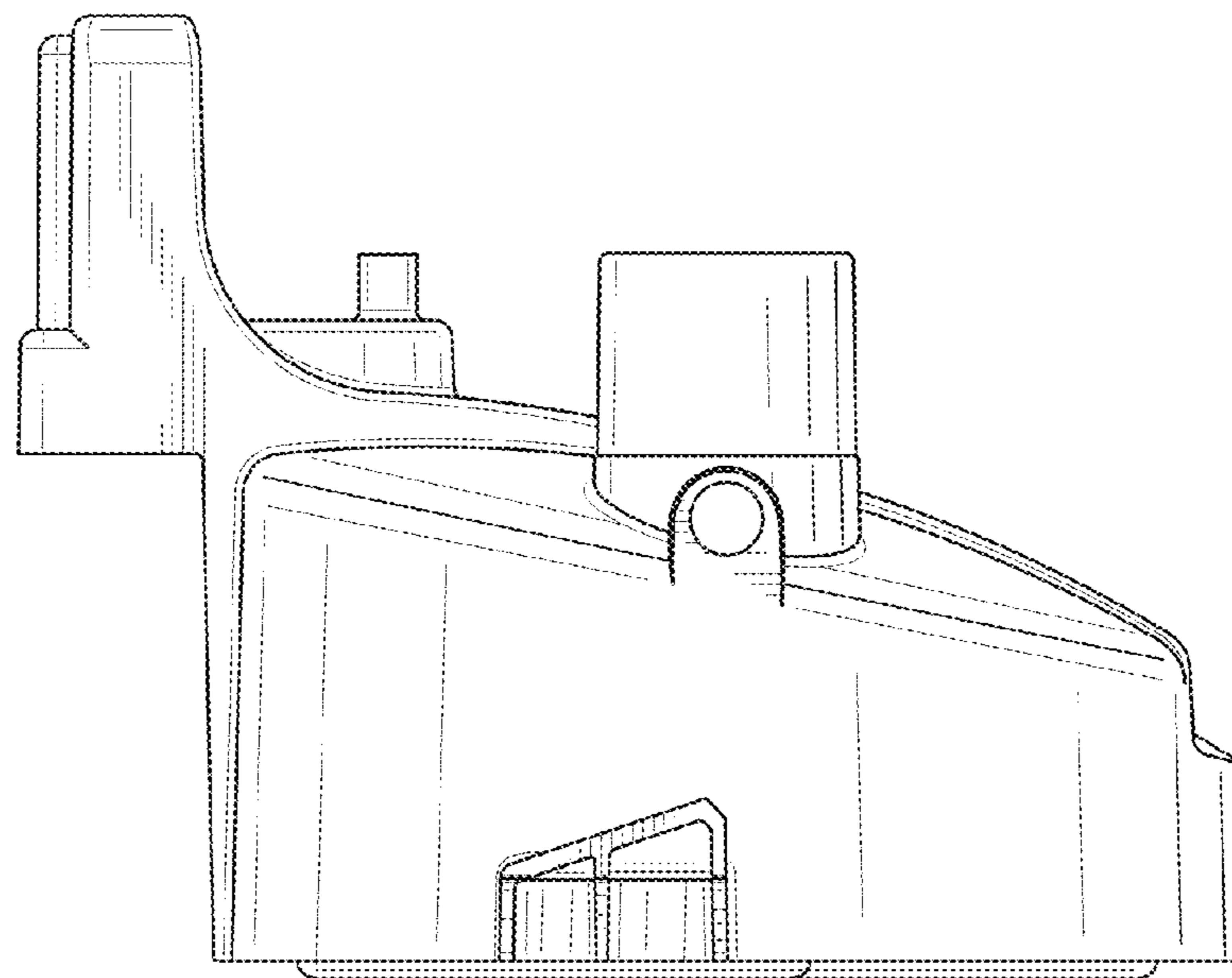


FIG. 8