

US00D722149S

(12) **United States Design Patent**
Perez et al.

(10) **Patent No.:** **US D722,149 S**
(45) **Date of Patent:** **** Feb. 3, 2015**

- (54) **FREE STANDING ELECTRIC AIR DRYER**
- (71) Applicant: **Gonzalo Perez**, Fort Lauderdale, FL (US)
- (72) Inventors: **Gonzalo Perez**, Fort Lauderdale, FL (US); **Don Salerno**, Hollywood, FL (US)
- (73) Assignee: **Gonzalo Perez**, Fort Lauderdale, FL (US)
- (**) Term: **14 Years**
- (21) Appl. No.: **29/458,307**
- (22) Filed: **Jun. 18, 2013**
- (51) **LOC (10) Cl.** **23-04**
- (52) **U.S. Cl.**
USPC **D23/355**
- (58) **Field of Classification Search**
USPC D23/355-366, 352, 369, 332, 333, 335, D23/336, 342, 351; 422/120, 122; 55/356, 55/473, 504; 96/97; D14/188, 170, 172; 261/DIG. 17, DIG. 65, DIG. 88, DIG. 31; D18/34.6; 392/379, 380, 382
See application file for complete search history.

6,718,650	B2	4/2004	Ross	
6,842,581	B2	1/2005	Schafer	
D503,785	S *	4/2005	Otaki	D23/355
6,928,235	B2	8/2005	Pollack	
7,100,305	B2 *	9/2006	Hoffman et al.	34/351
7,117,611	B2	10/2006	Park et al.	
7,118,614	B2 *	10/2006	Welin et al.	96/132
D570,979	S *	6/2008	Quinn et al.	D23/359
D573,240	S *	7/2008	Quinn et al.	D23/359
7,814,677	B2	10/2010	Brewer et al.	
7,993,491	B2 *	8/2011	Heikkila et al.	162/207
8,027,573	B2 *	9/2011	Byrne	392/382
8,096,062	B1 *	1/2012	Bellen	392/382
8,428,446	B1 *	4/2013	Pimentel	392/383
2002/0006275	A1	1/2002	Pollack	
2004/0000067	A1	1/2004	Baumann	
2004/0213559	A1	10/2004	Schafer	
2004/0218912	A1	11/2004	Shapiro et al.	
2006/0098961	A1	5/2006	Seutter et al.	
2007/0022621	A1	2/2007	Park et al.	
2008/0031924	A1	2/2008	Gilson et al.	

* cited by examiner

Primary Examiner — David Muller
(74) *Attorney, Agent, or Firm* — Christopher & Weisberg, P.A.

(57) **CLAIM**
The ornamental design for a free standing electric air dryer, as shown and described.

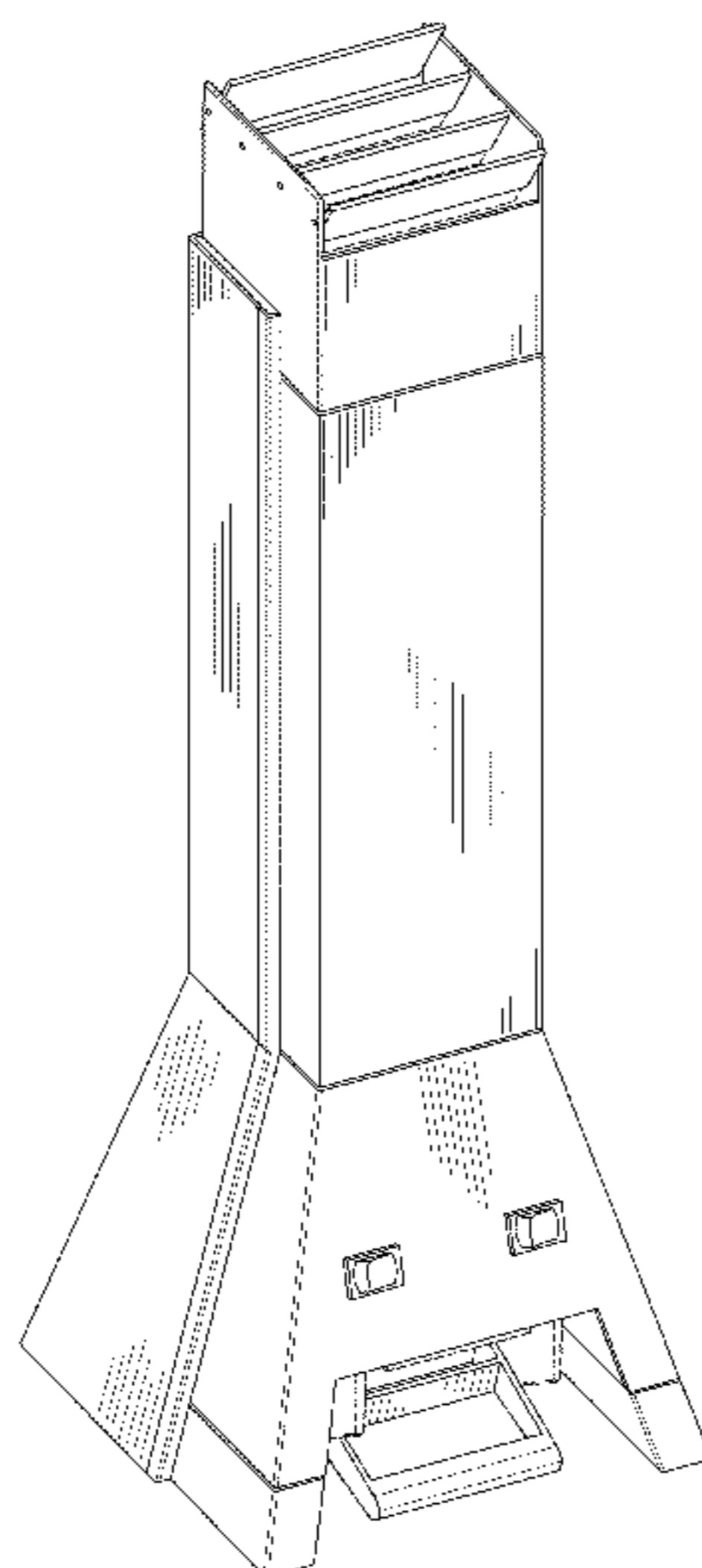
(56) **References Cited**
U.S. PATENT DOCUMENTS

1,637,488	A	8/1927	Knopp	
1,658,489	A	2/1928	Lindstrom	
3,828,430	A	8/1974	Yamada et al.	
4,812,621	A *	3/1989	Brotherton et al.	392/382
5,007,182	A	4/1991	Fishman et al.	
5,103,577	A	4/1992	Michaels et al.	
5,394,620	A	3/1995	Chimera	
5,438,764	A *	8/1995	Reppas et al.	392/380
5,651,189	A	7/1997	Coykendall et al.	
6,131,303	A	10/2000	Roper	
6,216,363	B1	4/2001	Swansen et al.	
6,665,492	B1 *	12/2003	Garcia et al.	392/383
6,691,428	B1 *	2/2004	Zarif	34/62

DESCRIPTION

FIG. 1 is perspective view of invention, FIG. 2 is front view thereof, FIG. 3 is back view thereof, FIG. 4 is right side view thereof, FIG. 5 is left side view thereof, FIG. 6 is top view thereof; and, FIG. 7 is bottom view thereof.
The broken line showing of parts of the drawings is included for the purpose of illustrating use and environment and forms no part of the claimed design.

1 Claim, 6 Drawing Sheets



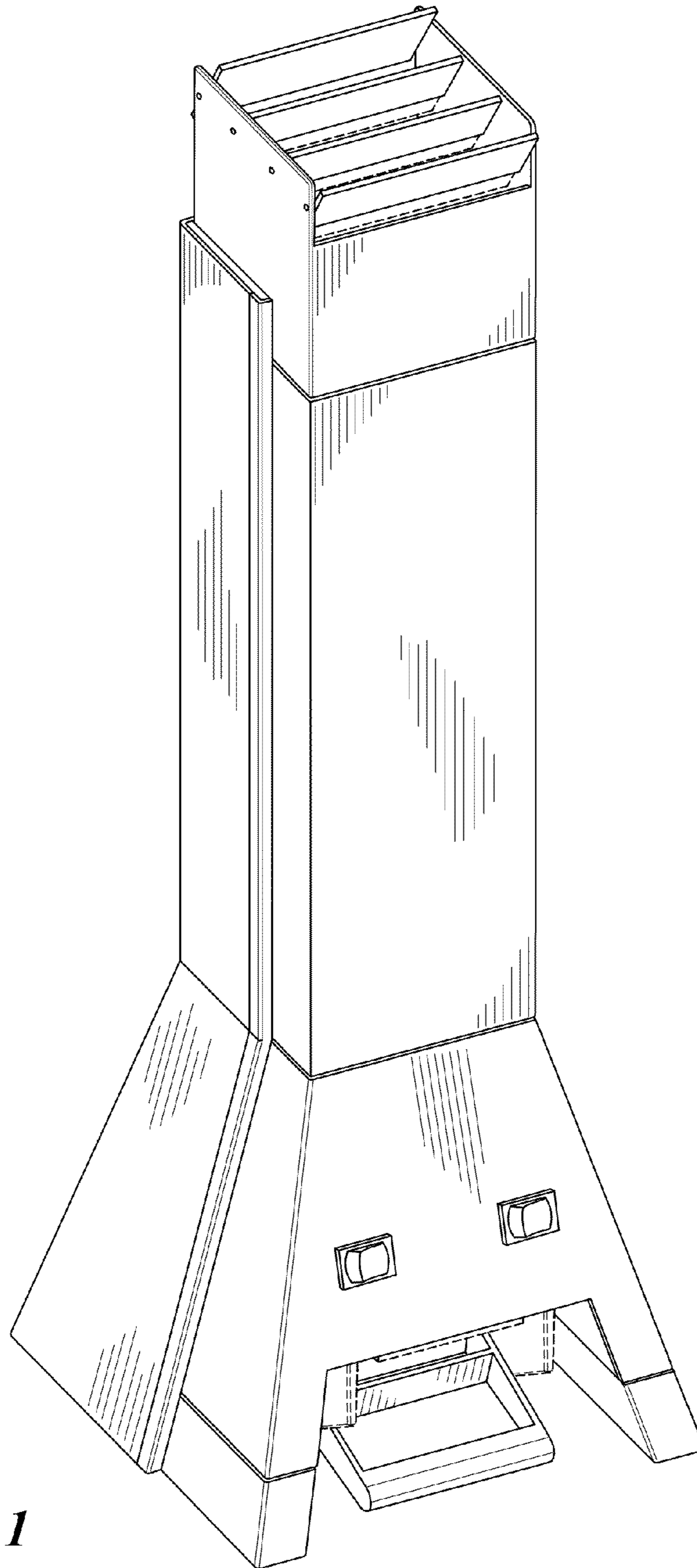


FIG. 1

FIG. 2

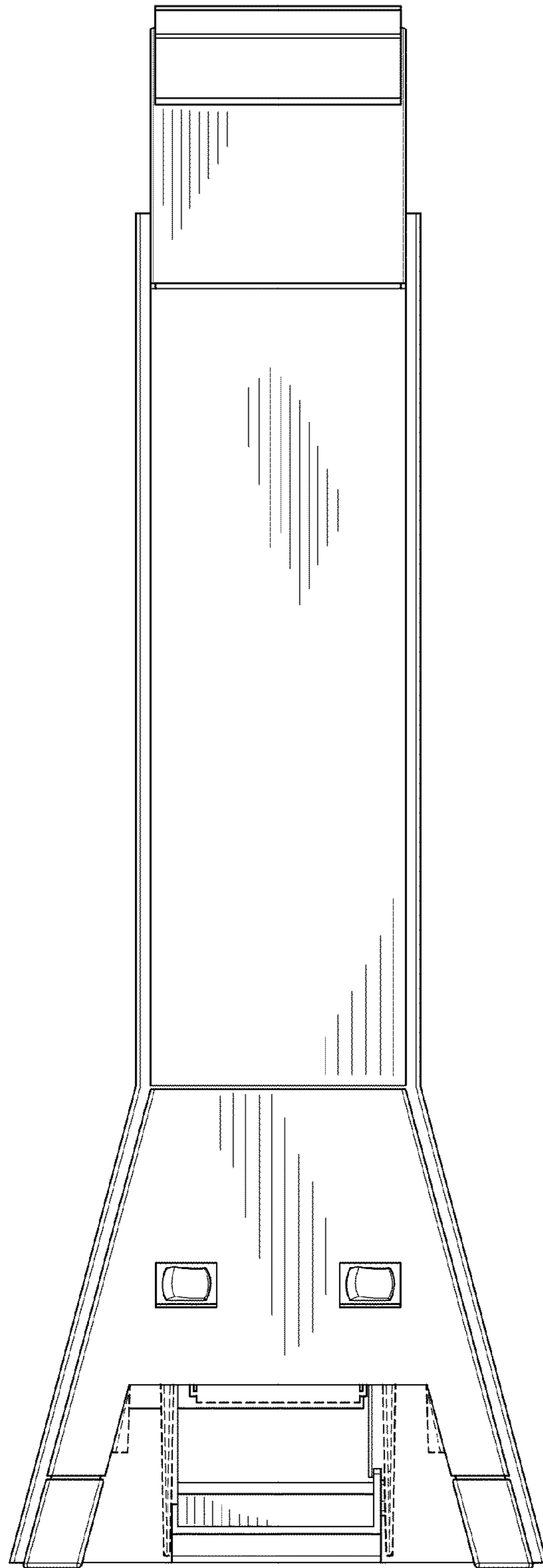


FIG. 3

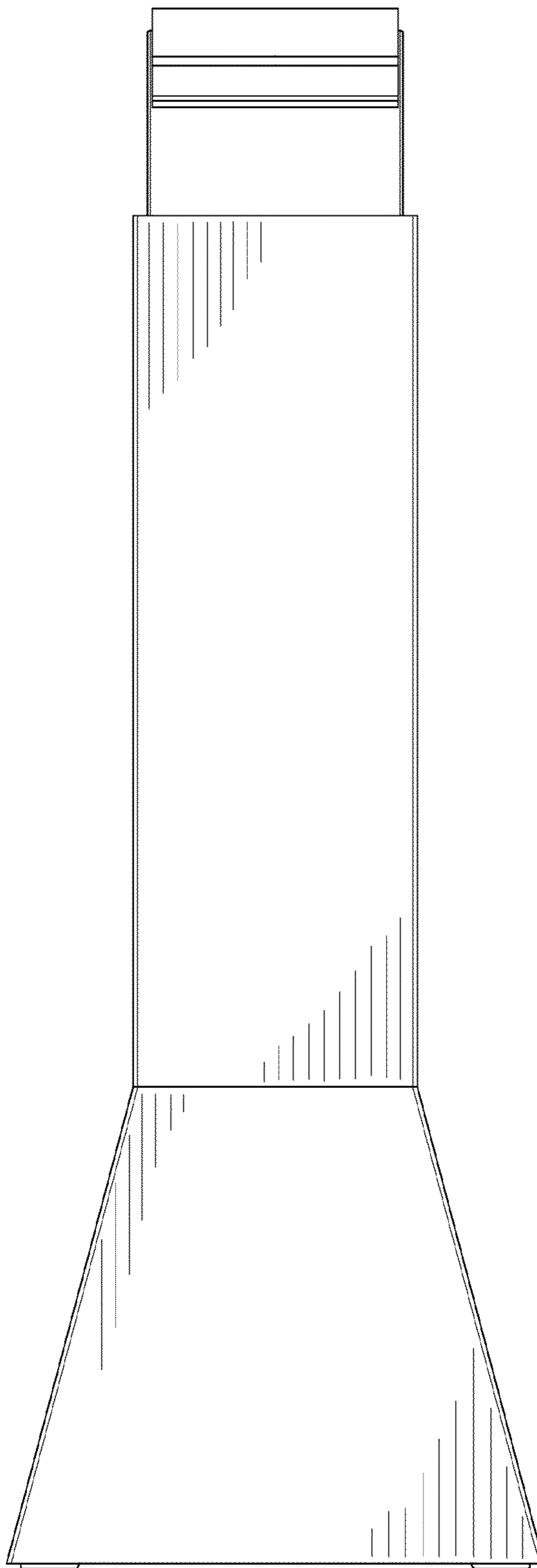


FIG. 4

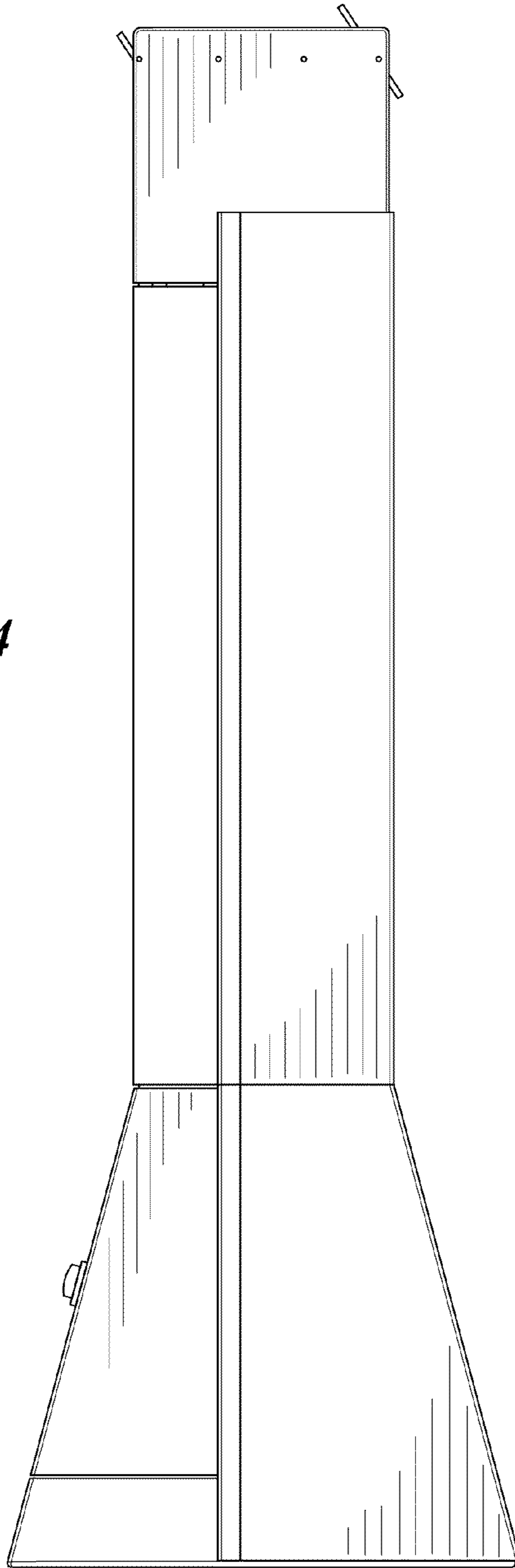
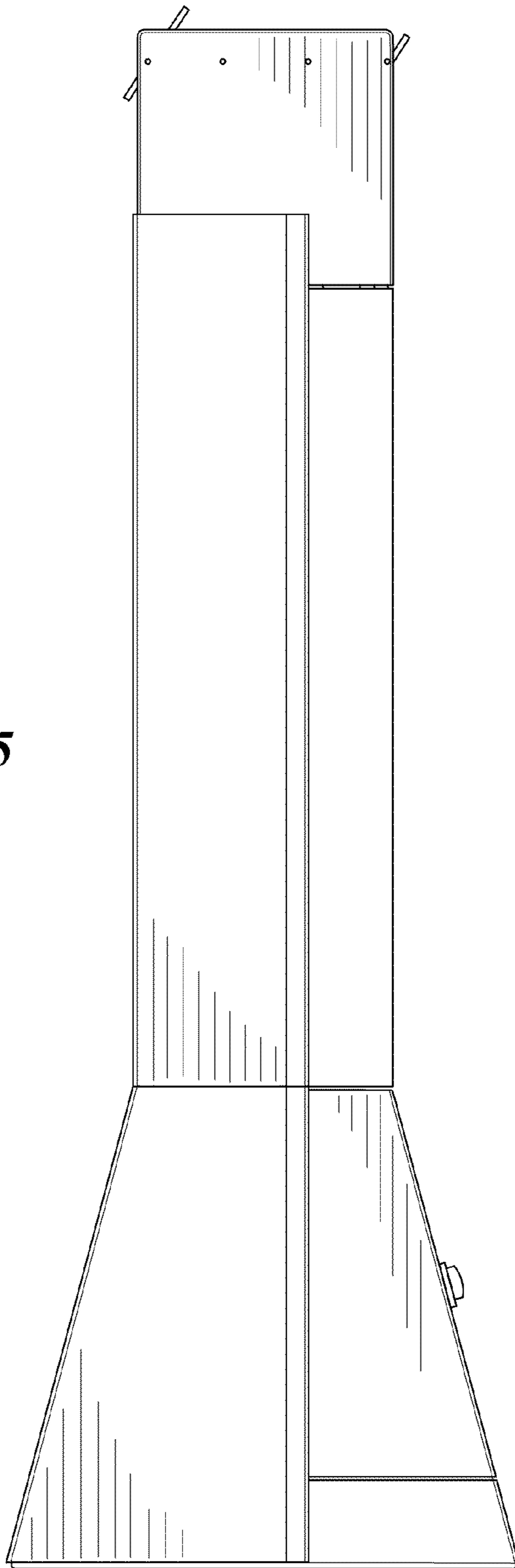


FIG. 5



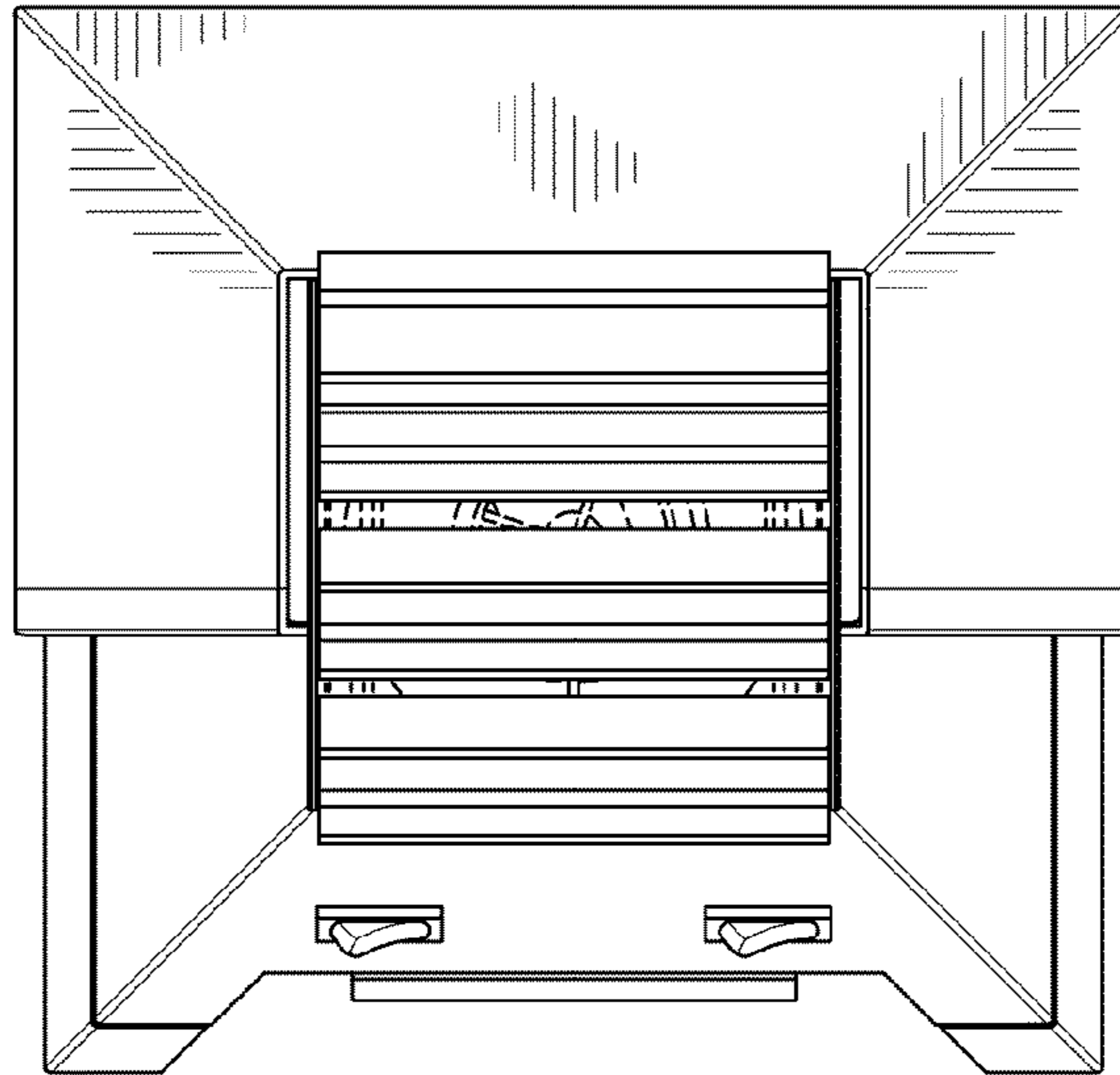


FIG. 6

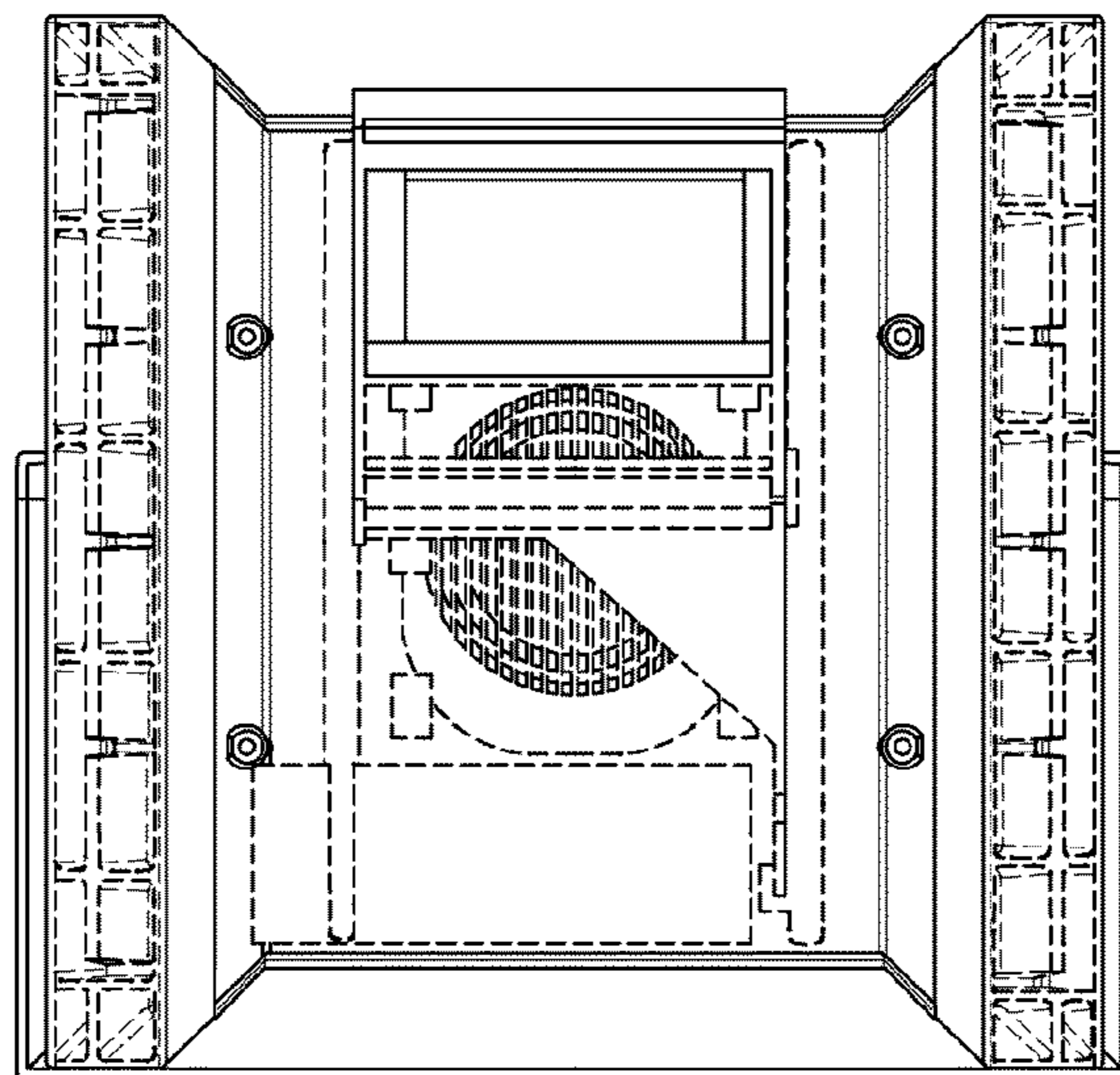


FIG. 7