



US00D722146S

(12) **United States Design Patent**  
**Zaari**

(10) **Patent No.:** **US D722,146 S**  
(45) **Date of Patent:** **\*\* Feb. 3, 2015**

(54) **CONDENSER COVER**

(71) Applicant: **Saeed Zaari**, Vancouver (CA)

(72) Inventor: **Saeed Zaari**, Vancouver (CA)

(73) Assignee: **Cool-It Hi Way Services Inc.**,  
Abbotsford (CA)

(\*\*) Term: **14 Years**

(21) Appl. No.: **29/482,846**

(22) Filed: **Feb. 21, 2014**

(51) **LOC (10) Cl.** ..... **23-03**

(52) **U.S. Cl.**  
USPC ..... **D23/323**

(58) **Field of Classification Search**  
USPC ..... D23/323, 314, 320, 322, 325; D13/184;  
D15/4; 126/25 R, 67, 92 A, 92 B, 9 A,  
126/500, 520, 544, 547; 362/92, 217, 253,  
362/231; 431/331, 344  
See application file for complete search history.

(56) **References Cited**

**U.S. PATENT DOCUMENTS**

6,681,588 B2 1/2004 Zeigler  
D536,078 S \* 1/2007 Leon ..... D23/323  
7,316,119 B2 1/2008 Allen

D575,381 S \* 8/2008 Leon ..... D23/323  
7,797,958 B2 9/2010 Alston et al.  
D698,015 S \* 1/2014 Vo et al. .... D23/342  
2011/0067420 A1 3/2011 Alston et al.

\* cited by examiner

*Primary Examiner* — T. Chase Nelson

*Assistant Examiner* — Ania Aman

(74) *Attorney, Agent, or Firm* — Corridor Law Group, P.C.

(57) **CLAIM**

What is claimed is the ornamental design of a condenser cover, as shown and described.

**DESCRIPTION**

FIG. 1 is a right front perspective view of a condenser cover showing my new design;

FIG. 2 is a front elevation view of the condenser cover of FIG. 1;

FIG. 3 is a left side elevation view of the condenser cover of FIG. 1;

FIG. 4 is a right side elevation view of the condenser cover of FIG. 1;

FIG. 5 is a top plan view of the condenser cover of FIG. 1;

FIG. 6 is a bottom plan view of the condenser cover of FIG. 1; and,

FIG. 7 is a rear elevation view of the condenser cover of FIG. 1.

**1 Claim, 5 Drawing Sheets**

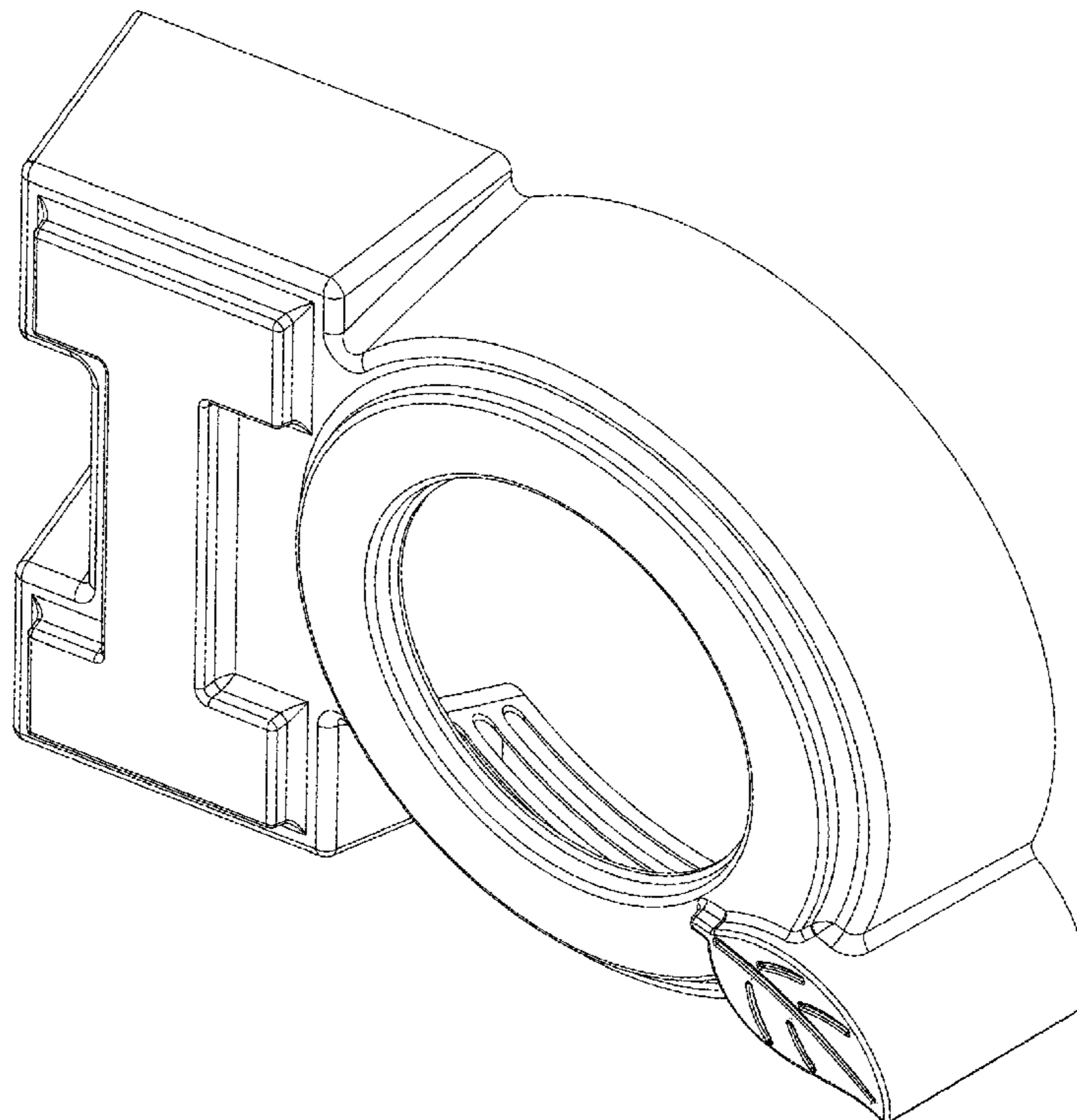


Fig. 1

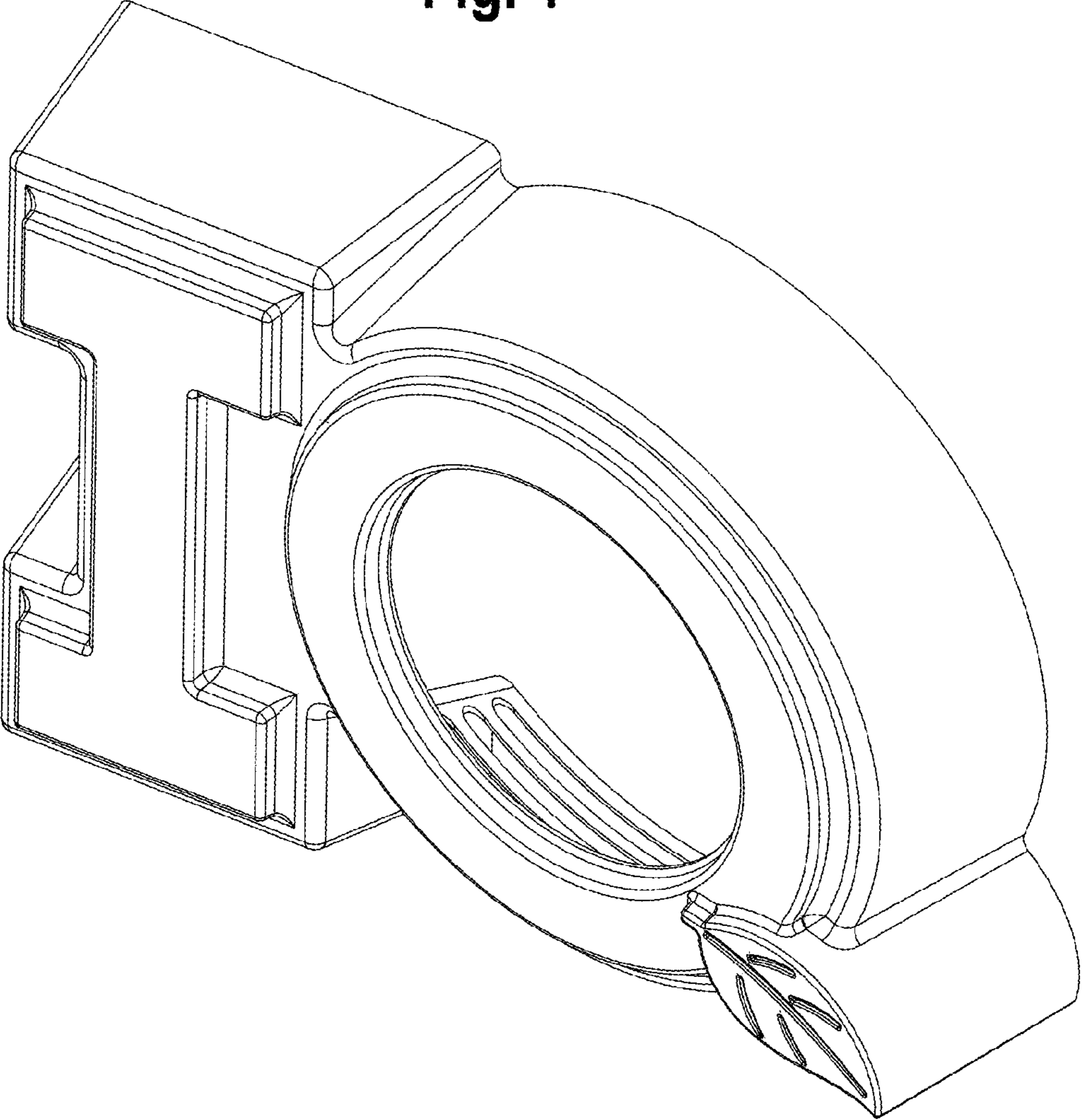


Fig. 2

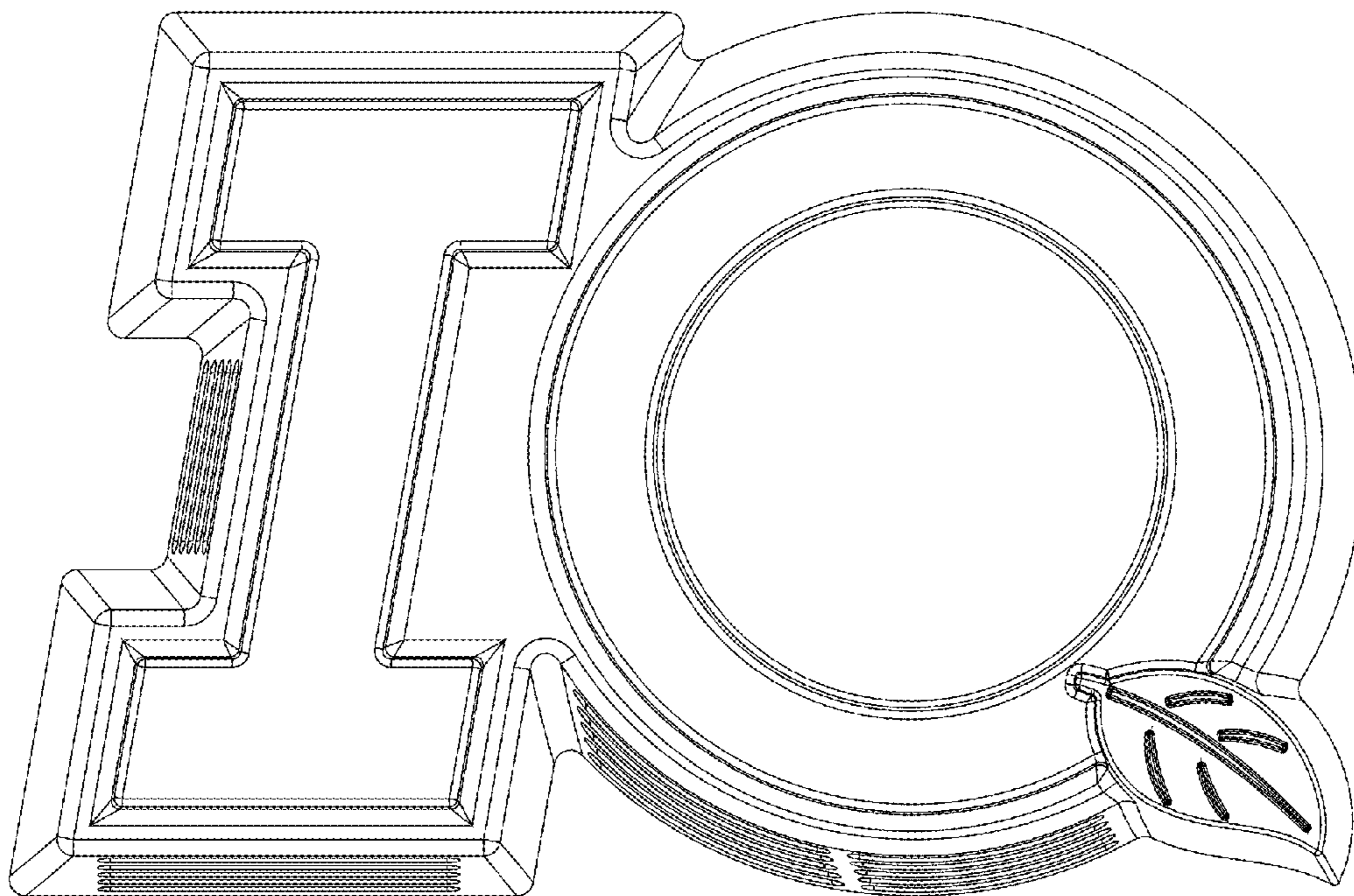


Fig. 3

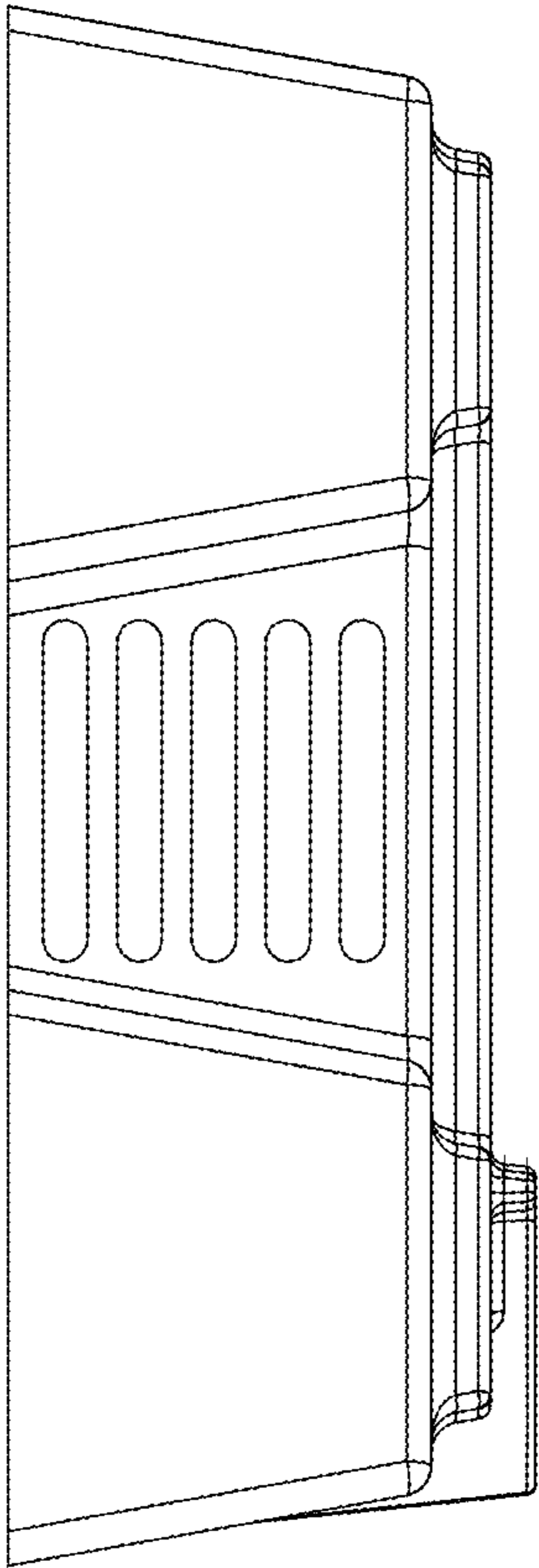


Fig. 4

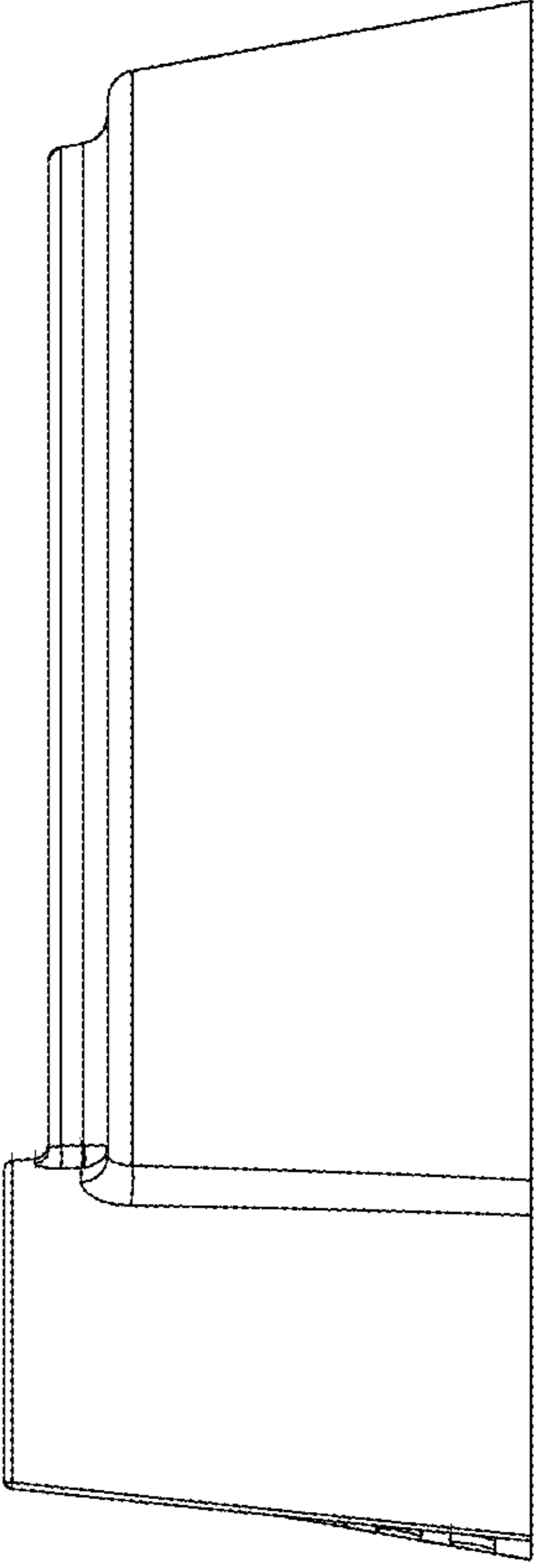


Fig. 5

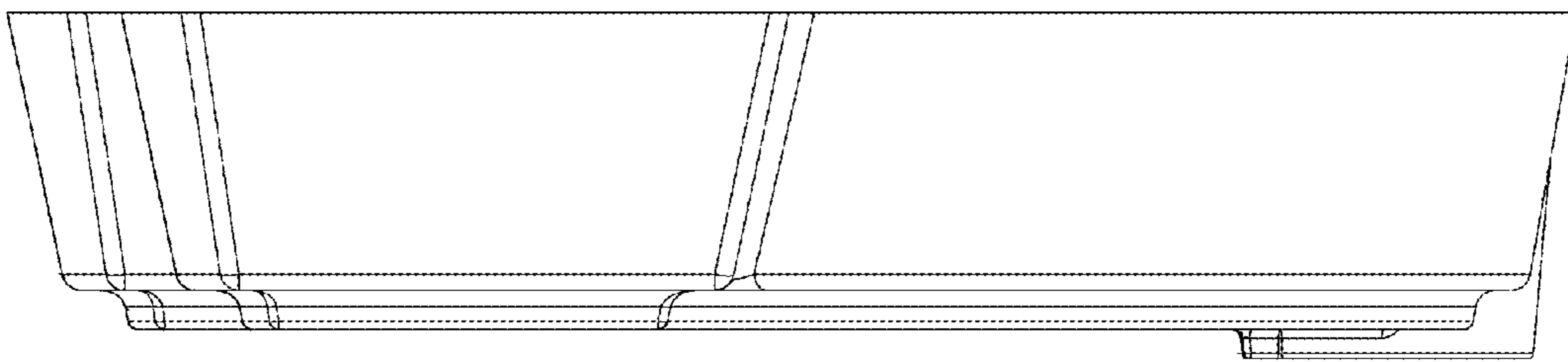


Fig. 6

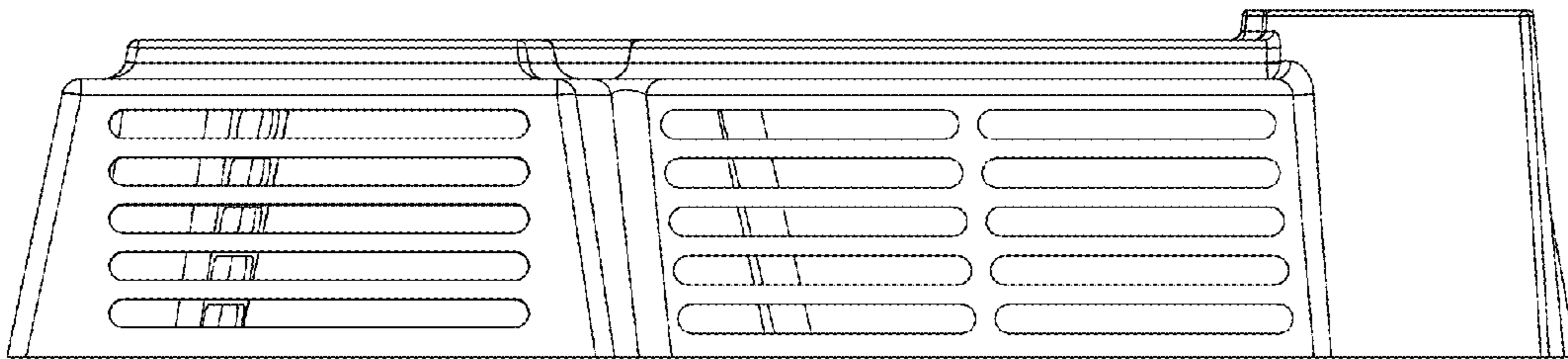




Fig. 7

