

US00D722144S

(12) **United States Design Patent**
Laberda

(10) **Patent No.:** **US D722,144 S**

(45) **Date of Patent:** **** Feb. 3, 2015**

(54) **SHOWER PEDESTAL**

D717,413 S * 11/2014 Brown D23/304
2011/0308007 A1* 12/2011 Stevens 4/611

(71) Applicant: **Mark Laberda**, Brooklyn Park, MN
(US)

* cited by examiner

(72) Inventor: **Mark Laberda**, Brooklyn Park, MN
(US)

Primary Examiner — Robert Delehanty
(74) *Attorney, Agent, or Firm* — Underwood & Associates,
LLC

(**) Term: **14 Years**

(57) **CLAIM**
The ornamental design for a shower pedestal, as shown and
described.

(21) Appl. No.: **29/487,961**

DESCRIPTION

(22) Filed: **Apr. 14, 2014**

(51) **LOC (10) Cl.** **23-02**

(52) **U.S. Cl.**
USPC **D23/304**

(58) **Field of Classification Search**
USPC 4/552, 574.1, 594, 596, 606, 661;
D23/283, 303-304, 305; D28/44
See application file for complete search history.

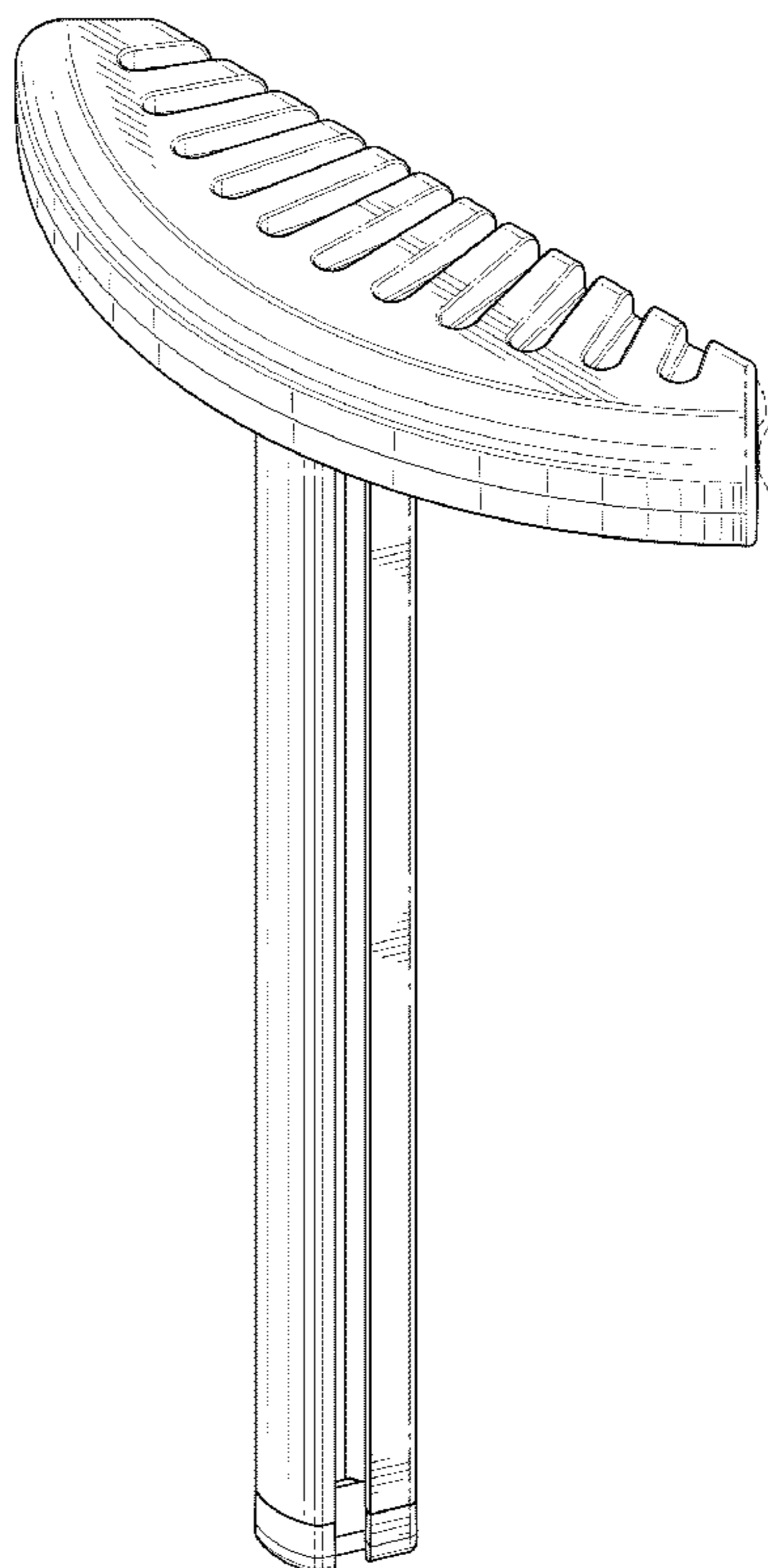
FIG. 1 is a perspective view of a shower pedestal showing my
new design;
FIG. 2 is a front elevation view thereof;
FIG. 3 is a rear elevation view thereof;
FIG. 4 is a left-side elevation view thereof;
FIG. 5 is a right-side elevation view thereof;
FIG. 6 is a top plan view thereof; and,
FIG. 7 is a bottom plan view thereof.
Suction cups illustrated in dashed lines are one of many
attachment mechanisms that can be used to attach the shower
pedestal to a shower or bathroom wall; they are shown for
illustrative purposes only and form no part of the claimed
design. Similarly, broken lines illustrate the tops of screws,
particularly evident in FIGS. 6 and 7. The screws are shown
for illustrative purposes as one of many mechanisms for cou-
pling the top pedestal body to the post and forms no part of the
claimed design.

(56) **References Cited**

U.S. PATENT DOCUMENTS

D298,851 S * 12/1988 Bourque D23/307
5,340,070 A * 8/1994 Soma 4/611
5,647,072 A * 7/1997 Shaffer et al. 4/574.1
D404,475 S * 1/1999 Livingston-Capoano ... D23/304
D422,687 S * 4/2000 Livingston-Capoano ... D23/304
D709,998 S * 7/2014 Gay et al. D23/304

1 Claim, 5 Drawing Sheets



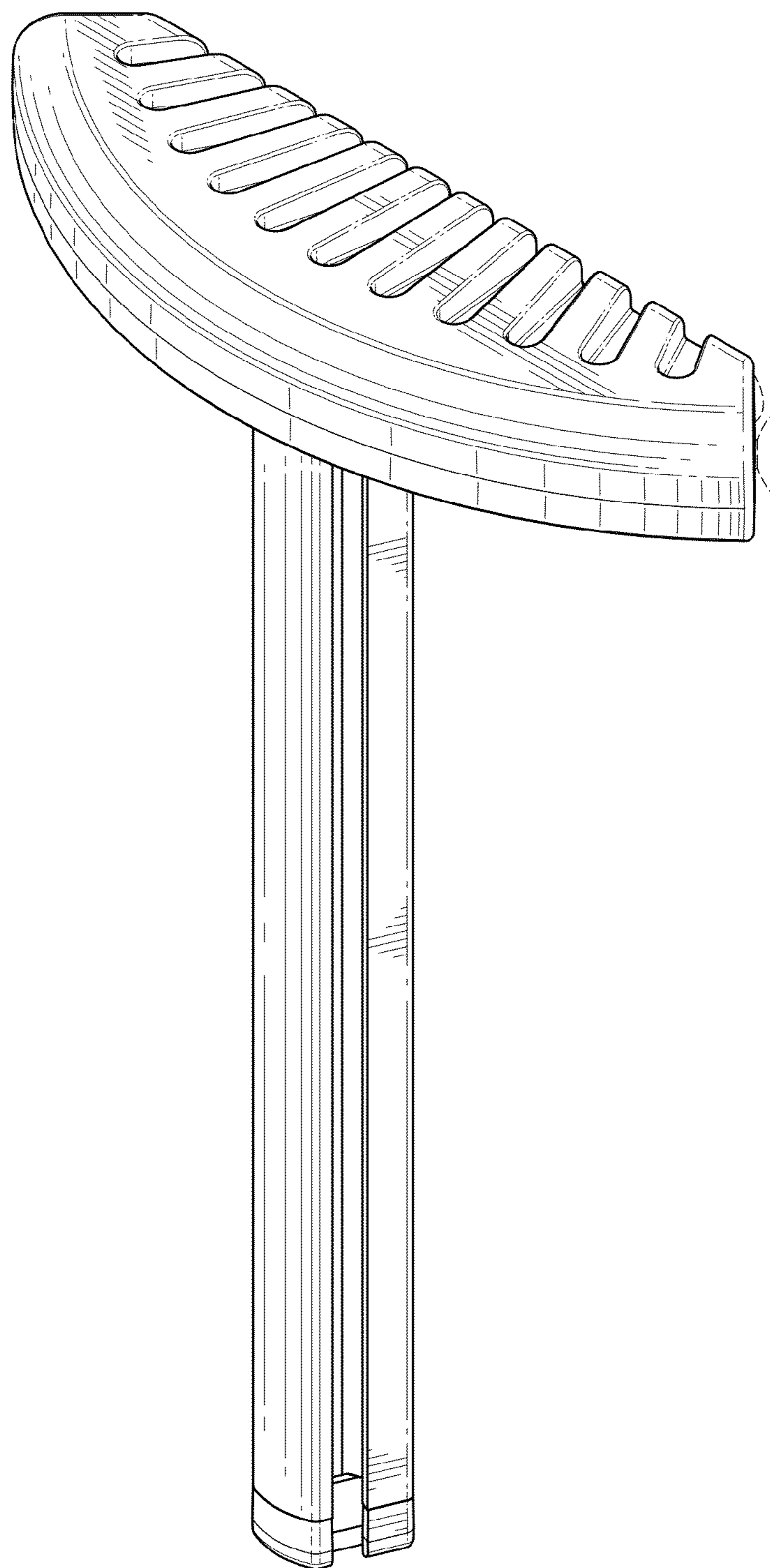


FIG. 1

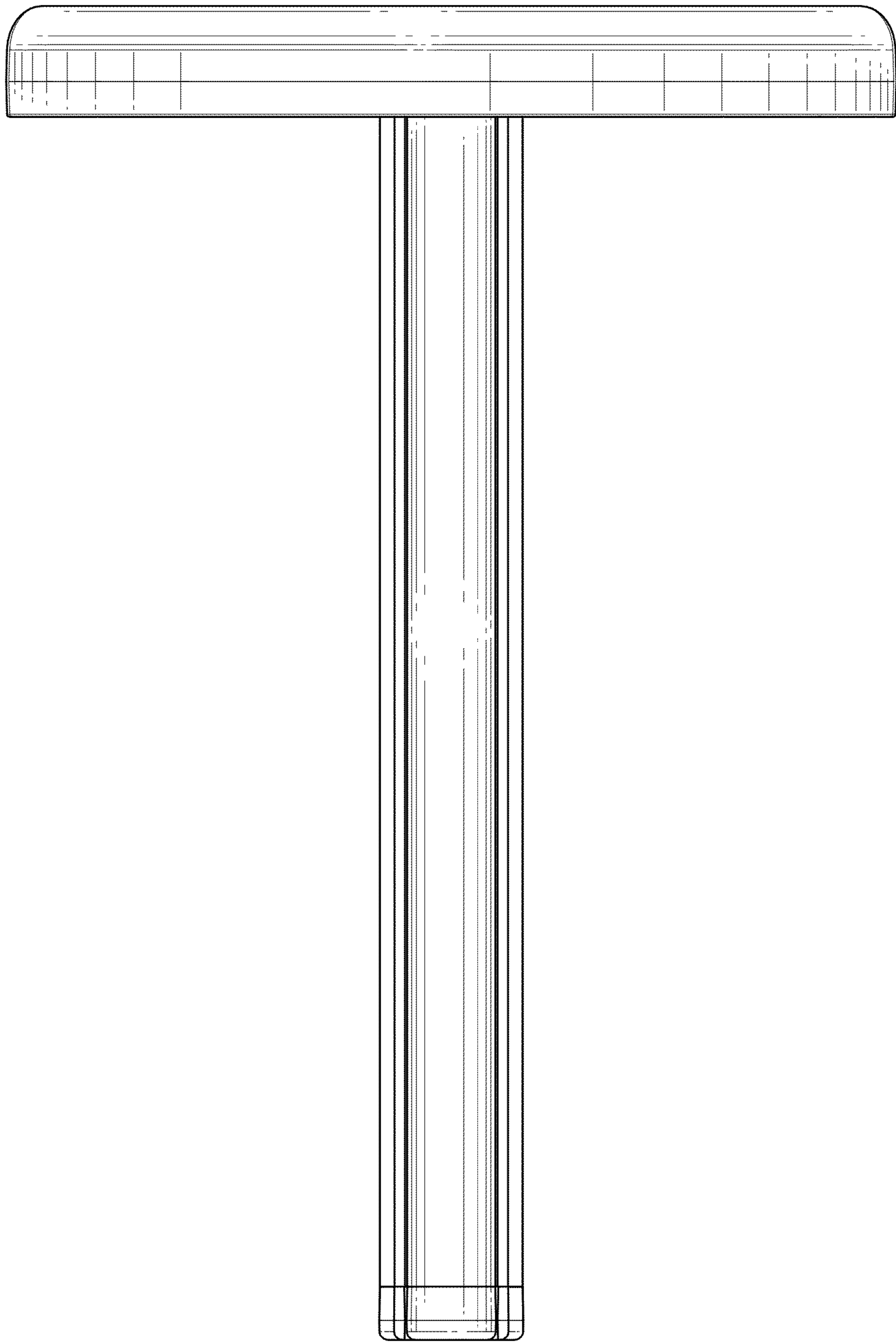


FIG. 2

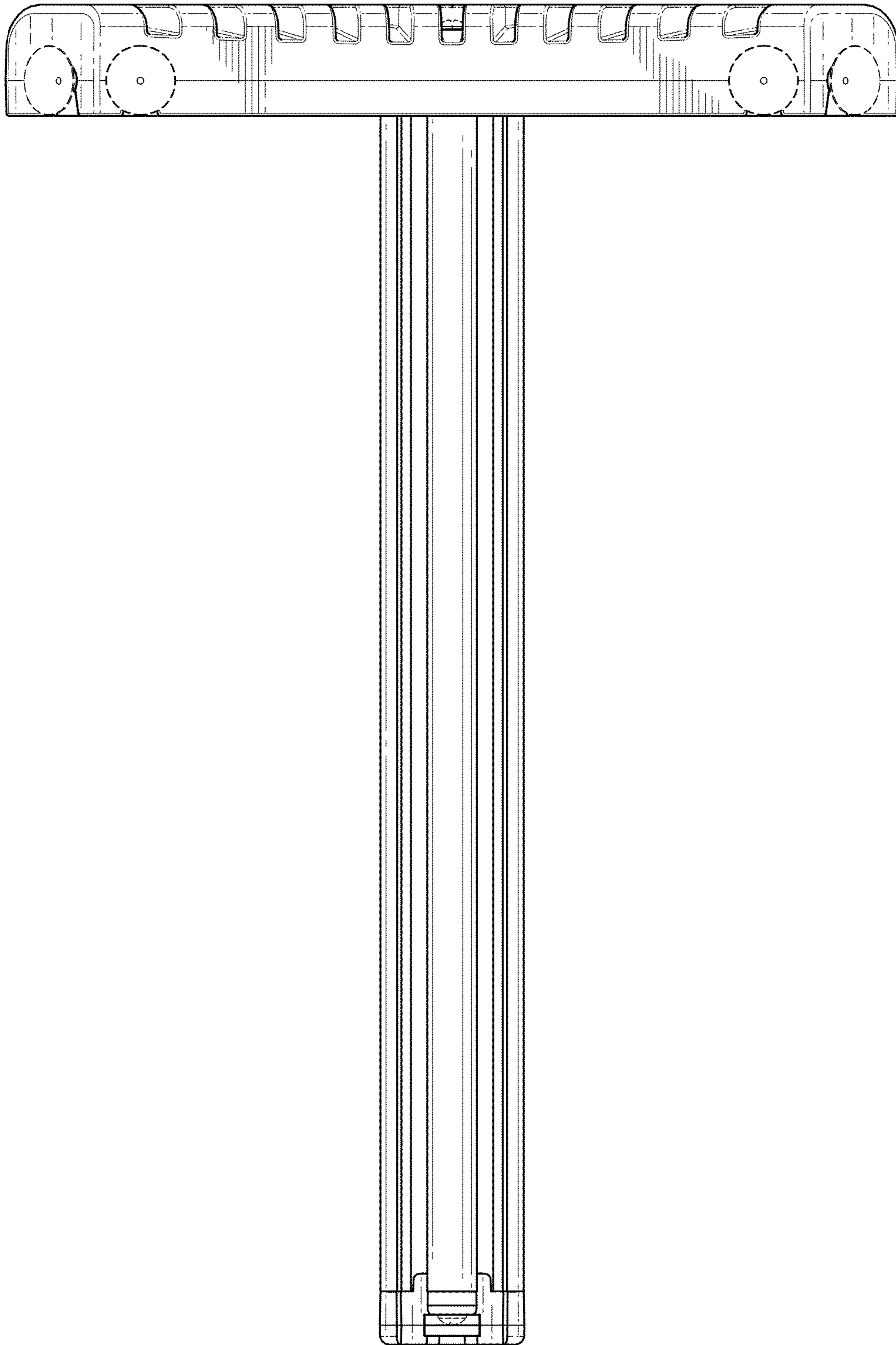


FIG. 3

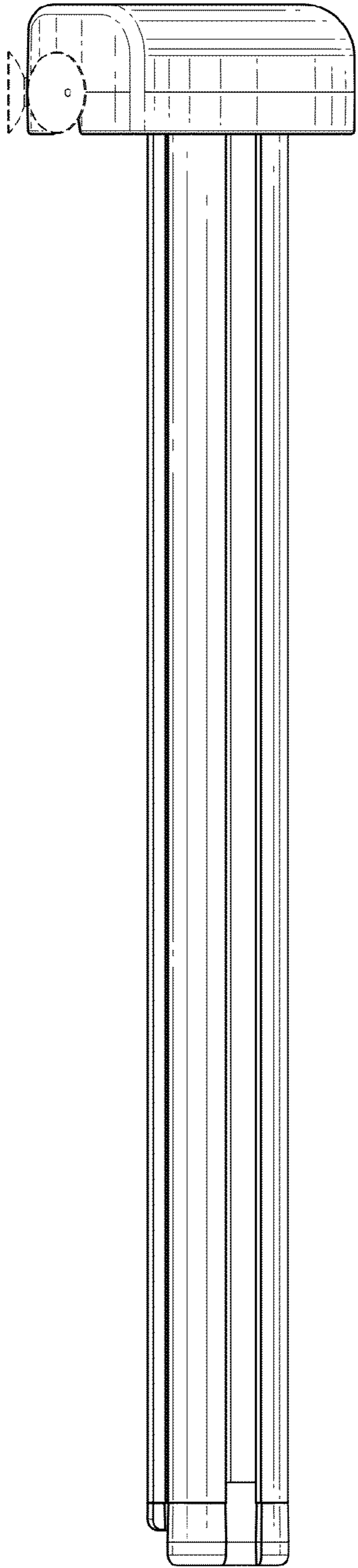


FIG. 4

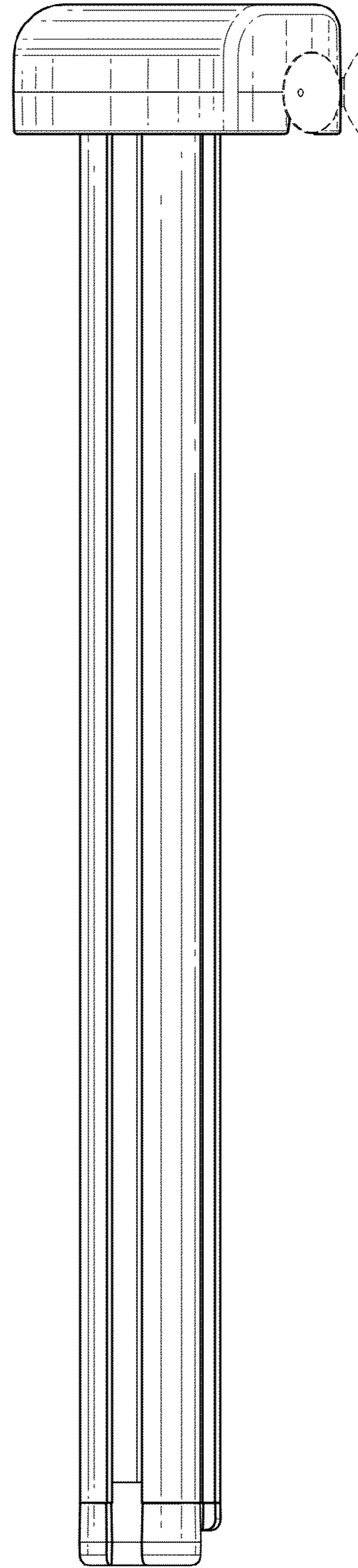


FIG. 5

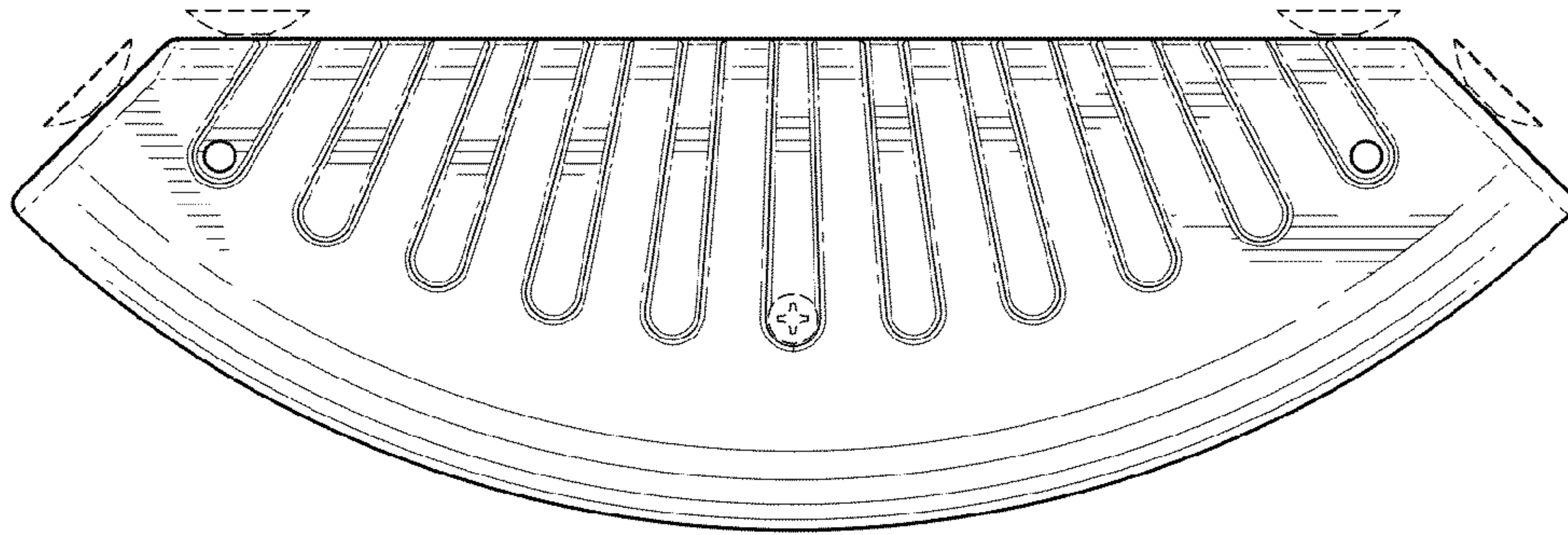


FIG. 6

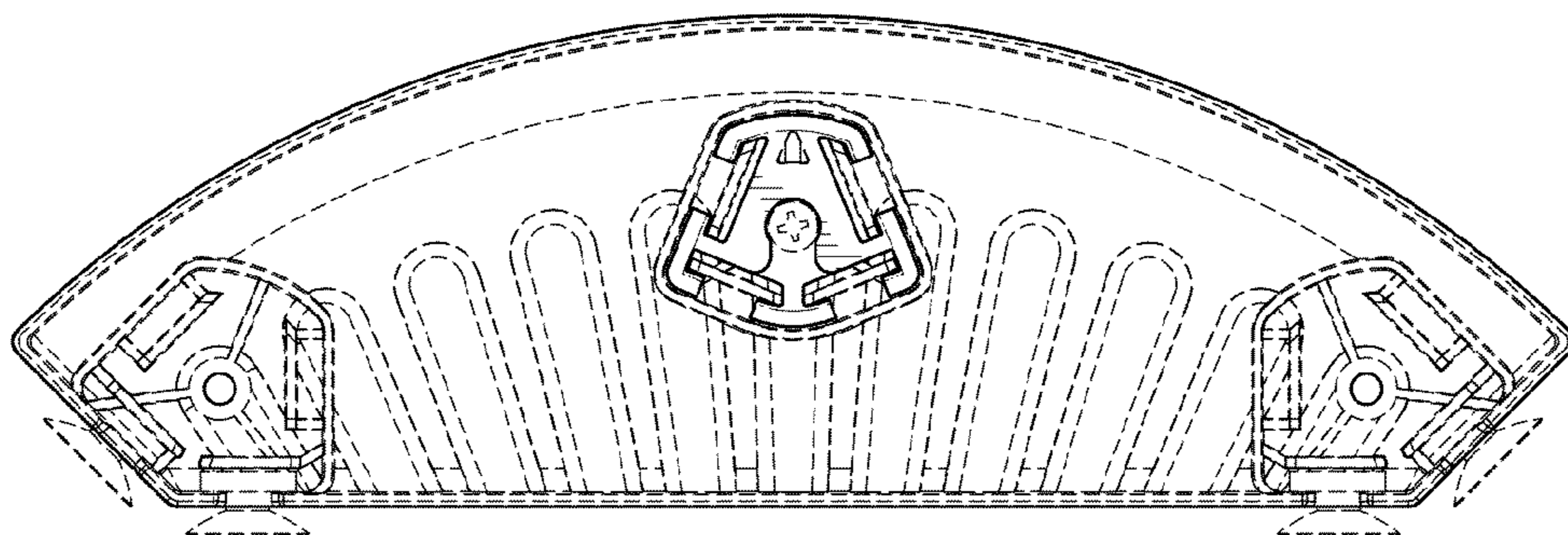


FIG. 7